



US00D826234S

(12) **United States Design Patent**
Zhou et al.

(10) **Patent No.:** **US D826,234 S**

(45) **Date of Patent:** **** Aug. 21, 2018**

(54) **INDICIA SCANNER**

(71) Applicant: **Hand Held Products, Inc.**, Fort Mill, SC (US)

(72) Inventors: **Peng Zhou**, Suzhou (CN); **Timothy R. Fitch**, Syracuse, NY (US); **Hao Xu**, Suzhou (CN)

(73) Assignee: **Hand Held Products, Inc.**, Fort Mill, SC (US)

(**) Term: **15 Years**

(21) Appl. No.: **29/560,799**

(22) Filed: **Apr. 11, 2016**

(51) **LOC (11) Cl.** **14-02**

(52) **U.S. Cl.**
USPC **D14/428**

(58) **Field of Classification Search**
USPC D14/420, 426-430, 453, 346, 341, 347, D14/412, 138; D13/107, 184; 358/473; 235/462.43, 462.45, 462.47, 462.48, 235/462.44, 462.46, 487, 472.01, 472.02, 235/145 A, 145 R; D10/78; 324/426; D3/273; 710/73; D18/7; 361/679, 728, 361/679.56; 382/313, 321; 455/575.1, 455/561, 572; 345/156, 168, 169, 172, 345/173, 87; 705/17, 18, 22-25

CPC G06F 1/626; G06F 1/1626; G06F 1/1656; G06F 1/1632; G06F 1/1684; G06F 1/1635; G06F 8/63; G06F 17/30091; G06F 9/4401; G06K 7/10881; G06K 7/1098; G06K 7/10722; G06K 7/1404; G06K 7/0004; G06K 7/10633; G06K 7/10851; G06K 7/1091; G06K 7/1092; G06K 7/1093; G06K 7/10; G06K 7/109; G06K 7/1417; G06K 9/228; G06K 17/0022; G06K 17/00; G06K 2207/1011; G06K 2207/1013; G06K 2207/1016; G06K 2207/1018; G06K 2017/0051; G06K 2017/0067; G06K 2007/10524; G07G 1/0081; G07G 1/009; G06Q 20/20;

G06Q 20/201; G06Q 20/202; G06Q 20/203; G06Q 20/30; G06Q 20/32; G06Q 20/322; G06Q 20/4014; G06Q 10/087; H04N 1/00127; H04N 1/00135; H04N 1/00326; H04N 1/00334; H04N 1/00307; H04N 1/107; H04N 2201/0084; H04N 2101/00; H04M 1/0249; H04M 1/0262; H04M 1/0266; H04M 1/18; H04M 1/23; H04M 1/236; H04B 1/3827; H04B (Continued)

(56) **References Cited**

U.S. PATENT DOCUMENTS

D362,435 S 9/1995 Charych et al.
5,475,206 A 12/1995 Reddersen et al.

(Continued)

Primary Examiner — Susan Moon Lee

(74) *Attorney, Agent, or Firm* — Additon, Higgins & Pendleton, P.A.

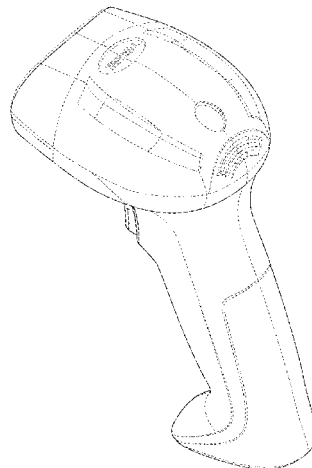
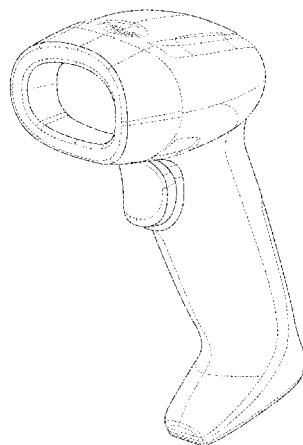
(57) **CLAIM**

The ornamental design for an indicia scanner, as shown and described.

DESCRIPTION

FIG. 1 is a first perspective view of an indicia scanner; FIG. 2 is a front elevation view thereof; FIG. 3 is a rear elevation view thereof; FIG. 4 is a left side elevation view thereof; FIG. 5 is a right side elevation view thereof; FIG. 6 is a top plan view thereof; FIG. 7 is a bottom plan view thereof; FIG. 8 is second perspective view thereof; FIG. 9 is a third perspective view thereof; and, FIG. 10 is a fourth perspective view thereof. The broken lines shown in the drawings of the indicia scanner are for illustrative purposes only and form no part of the claimed design.

1 Claim, 10 Drawing Sheets



US D826,234 S

(58)	Field of Classification Search CPC .. 1/3833; H04B 1/3877; H04B 1/3883; H04B 1/3888; H04B 2001/3894; H01M 2/1066 See application file for complete search history.						
(56)	References Cited U.S. PATENT DOCUMENTS						
	5,850,078 A	12/1998	Giordano et al.	2007/0057067	A1*	3/2007	He G06K 7/10851 235/462.45
	D414,171 S	9/1999	Swift et al.	2007/0090193	A1	4/2007	Nunnink et al.
	6,000,619 A	12/1999	Reddersen et al.	2007/0091332	A1	4/2007	Nunnink
	D418,500 S	1/2000	Giordano et al.	2007/0119939	A1	5/2007	Epshteyn et al.
	D446,524 S	8/2001	Bontly et al.	2007/0176003	A1	8/2007	Brock
	6,321,990 B1	11/2001	Giordano et al.	2007/0199996	A1	8/2007	He et al.
	6,352,204 B2	3/2002	Hattersley et al.	2007/0272756	A1*	11/2007	Brock G06K 7/10722 235/462.25
	D456,810 S *	5/2002	Schlieffers D14/426	2008/0156880	A1	7/2008	Vinogradov
	D459,728 S	7/2002	Roberts et al.	2008/0179402	A1	7/2008	Barakan et al.
	6,442,180 B1	8/2002	Gurrieri et al.	2008/0191022	A1	8/2008	Barakan et al.
	D470,145 S	2/2003	Schlieffers et al.	2008/0265035	A1	10/2008	Vinogradov et al.
	6,517,003 B2	2/2003	Vassura et al.	2008/0290169	A1	11/2008	Gurevich et al.
	D518,057 S	3/2006	Johnson et al.	2009/0050701	A1	2/2009	Wang et al.
	7,059,528 B2	6/2006	Barkan et al.	2009/0078773	A1	3/2009	Carlson et al.
	D538,285 S	3/2007	MacGregor et al.	2009/0078774	A1	3/2009	He
	D541,283 S	4/2007	MacGregor et al.	2009/0084847	A1	4/2009	He et al.
	D556,761 S	12/2007	MacGregor et al.	2009/0084849	A1	4/2009	He et al.
	D562,825 S	2/2008	Fitch et al.	2009/0140052	A1	6/2009	Liu et al.
	D570,843 S	6/2008	Mazzone et al.	2009/0218403	A1	9/2009	Joseph et al.
	D574,832 S	8/2008	MacGregor et al.	2009/0218405	A1	9/2009	Joseph et al.
	7,461,790 B2	12/2008	McQueen et al.	2009/0272807	A1	11/2009	Vinogradov
	D588,596 S	3/2009	Mazzone et al.	2010/0219249	A1*	9/2010	Barkan G06K 7/10732 235/462.42
	7,527,515 B1	5/2009	Olson et al.	2010/0308116	A1	12/2010	Sani et al.
	D603,408 S	11/2009	Fitch	2011/0069877	A1	3/2011	Vincenzi
	D606,544 S	12/2009	Di Baru et al.	2011/0073658	A1	3/2011	Vassura et al.
	D614,625 S	4/2010	Fitch et al.	2011/0096512	A1*	4/2011	Klicpera G06K 7/10881 361/747
	8,028,913 B2	10/2011	Liu et al.	2011/0103004	A1*	5/2011	Brock G06F 1/1632 361/679.43
	8,186,597 B1	5/2012	Fletcher	2011/0121077	A1	5/2011	Joseph et al.
	8,296,754 B2	10/2012	Fitch	2011/0127334	A1	6/2011	Shi et al.
	8,376,233 B2	2/2013	Horn et al.	2011/0127335	A1	6/2011	He et al.
	D677,258 S	3/2013	Mistkawi	2011/0132984	A1	6/2011	Fletcher
	8,390,909 B2	3/2013	Plesko	2011/0290886	A1	12/2011	Carlson
	8,421,604 B2	4/2013	Bellows et al.	2011/0290889	A1	12/2011	Tamburrini
	8,424,768 B2	4/2013	Rueblinger et al.	2011/0297853	A1	12/2011	Liu
	D682,277 S	5/2013	Tasselli et al.	2012/0029994	A1	2/2012	Barkan
	D683,764 S	6/2013	Ridl et al.	2012/0048940	A1	3/2012	Chaumont
	8,469,275 B2	6/2013	Dahari	2012/0049049	A1*	3/2012	Vinogradov G06K 7/10881 250/216
	D687,856 S	8/2013	Haug	2012/0097744	A1	4/2012	Drzymala
	D692,004 S	10/2013	Man	2012/0106352	A1*	5/2012	Peruzzi H04W 74/08 370/241
	D692,892 S	11/2013	Mistkawi	2012/0111946	A1	5/2012	Golant
	8,657,199 B2	2/2014	Barkan et al.	2012/0228382	A1	9/2012	Havens
	D702,238 S	4/2014	Alegiani et al.	2012/0287332	A1	11/2012	Fjellstad
	8,833,660 B1	9/2014	Slutsky et al.	2012/0319645	A1	12/2012	O'Donnell
	8,870,074 B1	10/2014	Gannon	2013/0001290	A1	1/2013	Trajkovic
	8,910,872 B2	12/2014	Barkan et al.	2013/0043312	A1	2/2013	Van Horn
	D723,563 S	3/2015	Alegiani	2013/0070322	A1	3/2013	Fritz
	D726,186 S	4/2015	Jenkins et al.	2013/0200158	A1	8/2013	Feng
	D730,357 S	5/2015	Fitch et al.	2013/0214048	A1	8/2013	Wilz
	9,053,378 B1	6/2015	Hou et al.	2013/0292474	A1	11/2013	Xian
	D734,339 S	7/2015	Zhou et al.	2013/0292478	A1*	11/2013	Wang G06K 7/10712 235/472.01
	9,185,306 B1*	11/2015	Tan G06K 7/10801	2013/0306730	A1	11/2013	Brady
	D753,660 S	4/2016	Zhou et al.	2013/0306734	A1	11/2013	Xian
	D791,137 S *	7/2017	Wang D14/428	2013/0313325	A1	11/2013	Wiltz
	9,798,911 B1*	10/2017	Handshaw G06K 7/10722	2013/0327834	A1	12/2013	Hennick
	9,800,749 B1*	10/2017	Tan H04N 1/00816	2014/0048684	A1	2/2014	Barkan
	9,825,476 B2*	11/2017	Mazzone H02J 7/0044	2014/0059414	A1	2/2014	He
	9,911,295 B2*	3/2018	Xie G08B 13/242	2014/0089121	A1	3/2014	Kaminsky
	9,940,497 B2*	4/2018	Bourrel G06K 7/1413	2014/0091147	A1	4/2014	Evans
	2001/0045466 A1	11/2001	Bontly	2014/0117092	A1	5/2014	Vinogradov
	2002/0056755 A1	5/2002	Canini et al.	2014/0144978	A1	5/2014	Sun
	2002/0096566 A1	7/2002	Schwartz et al.	2014/0246496	A1	9/2014	Brock
	2002/0125323 A1	9/2002	Marrs et al.	2014/0361082	A1	12/2014	Xian
	2002/0148902 A1	10/2002	Schlieffers	2015/0034724	A1	2/2015	He
	2004/0094627 A1	5/2004	Parker et al.	2015/0102109	A1	4/2015	Huck
	2004/0134990 A1	7/2004	Fitch et al.	2015/0193645	A1*	7/2015	Colavito G06K 7/10881 235/472.01
	2005/0023358 A1	2/2005	Byun et al.	2015/0379838	A1*	12/2015	Xie G08B 13/242 340/572.3
	2006/0027657 A1	2/2006	Ninnink et al.				
	2006/0032921 A1	2/2006	Gerst et al.				
	2006/0131419 A1	6/2006	Nunnink				

(56)

References Cited

U.S. PATENT DOCUMENTS

2017/0140191 A1* 5/2017 Tanabe G06K 7/1417
2017/0270329 A1* 9/2017 Handshaw G06K 7/10811
2017/0330008 A1* 11/2017 Suman G06K 7/10881

* cited by examiner

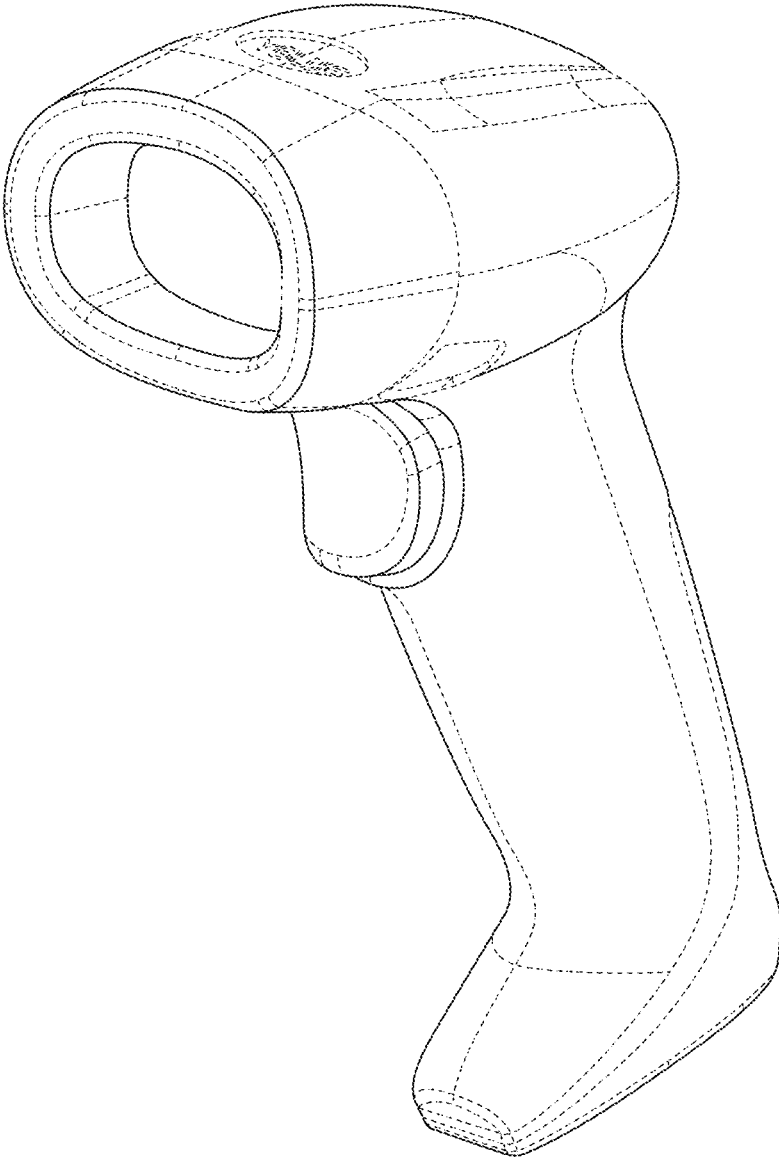


FIG. 1

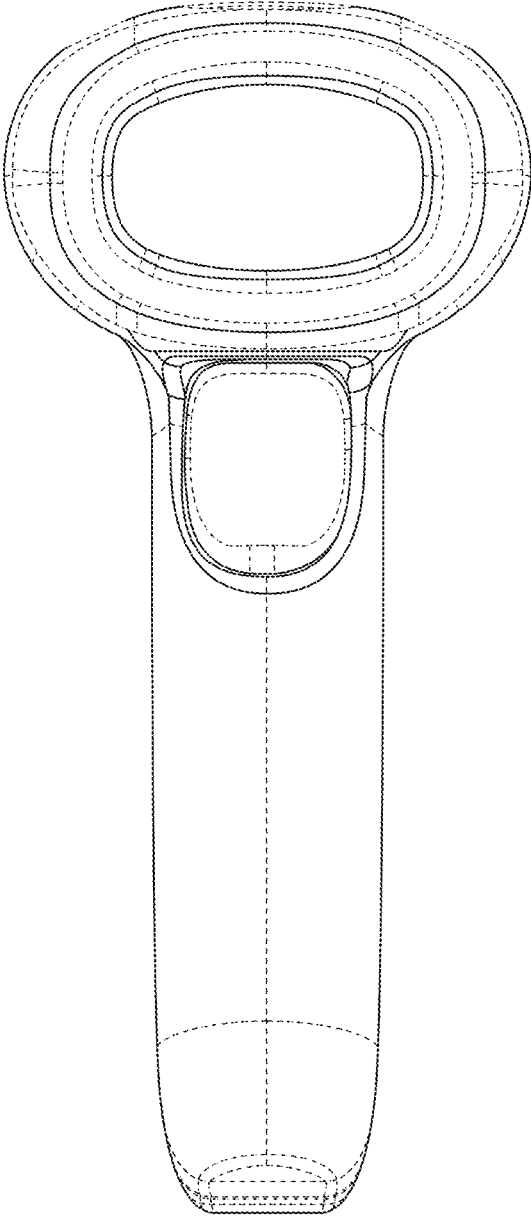


FIG. 2

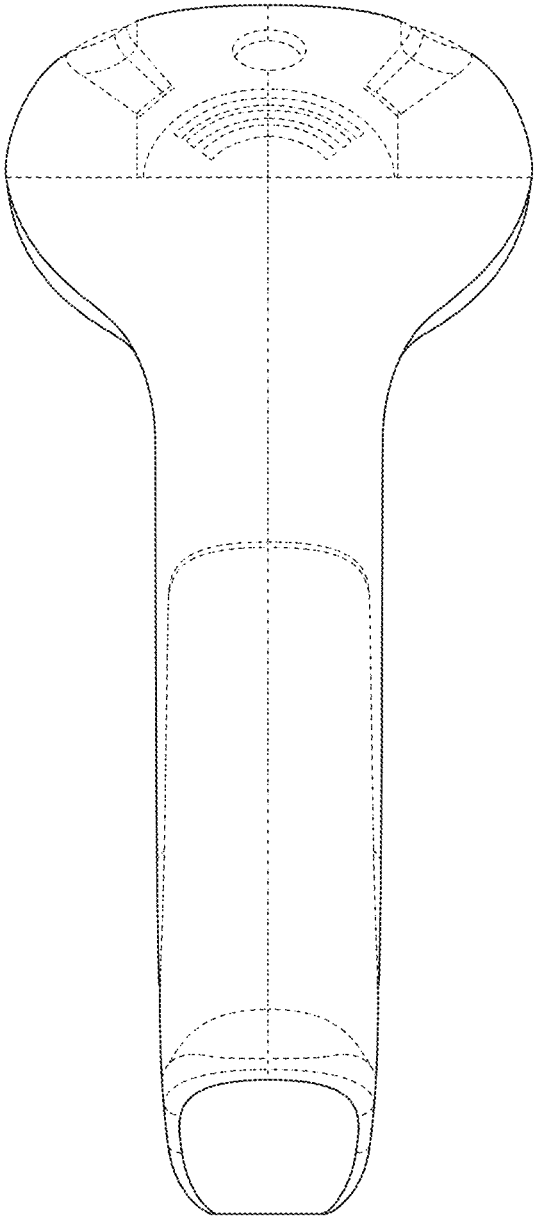


FIG. 3

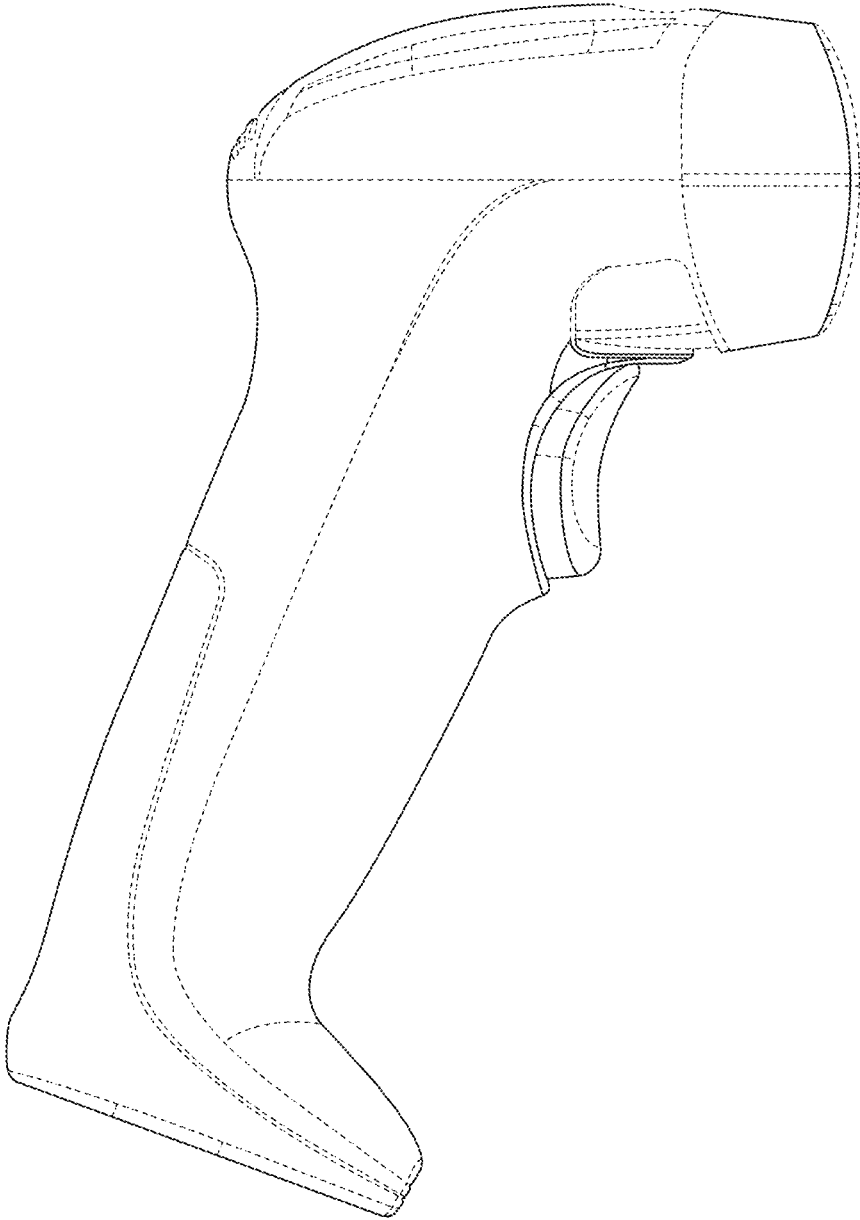


FIG. 4

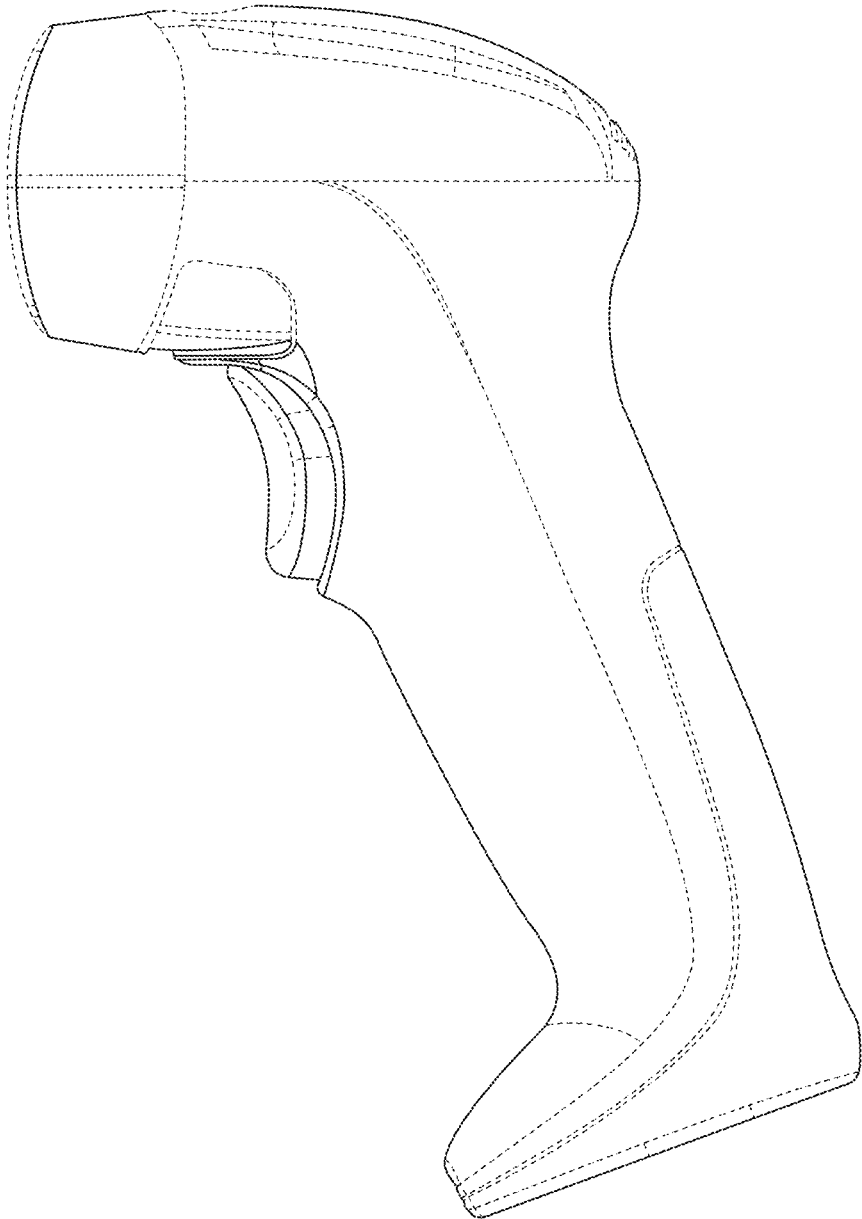


FIG. 5

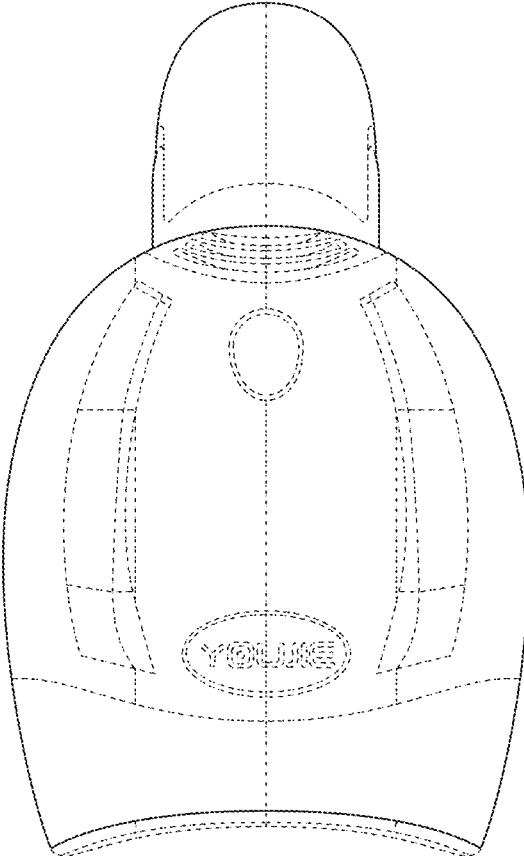


FIG. 6

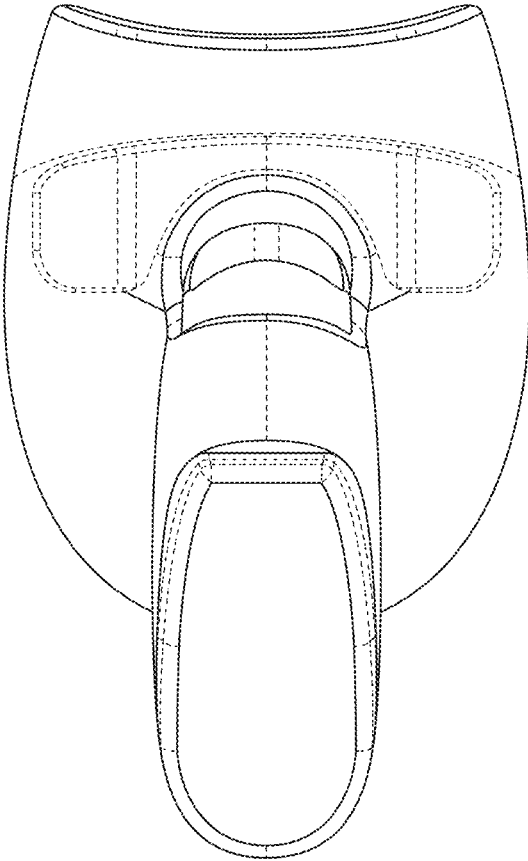


FIG. 7

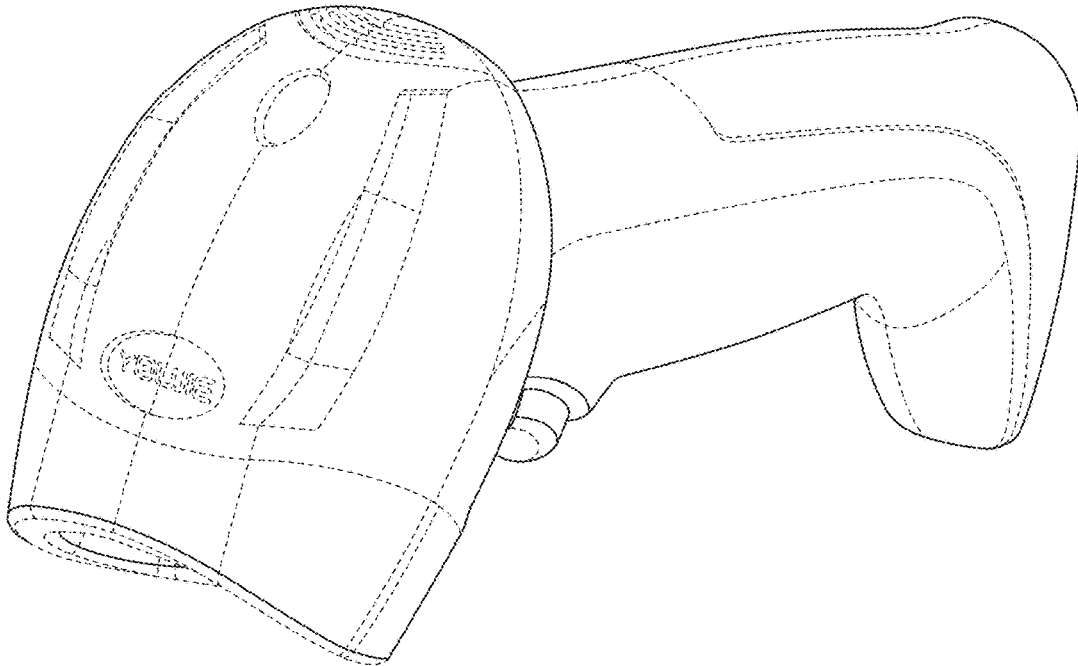


FIG. 8

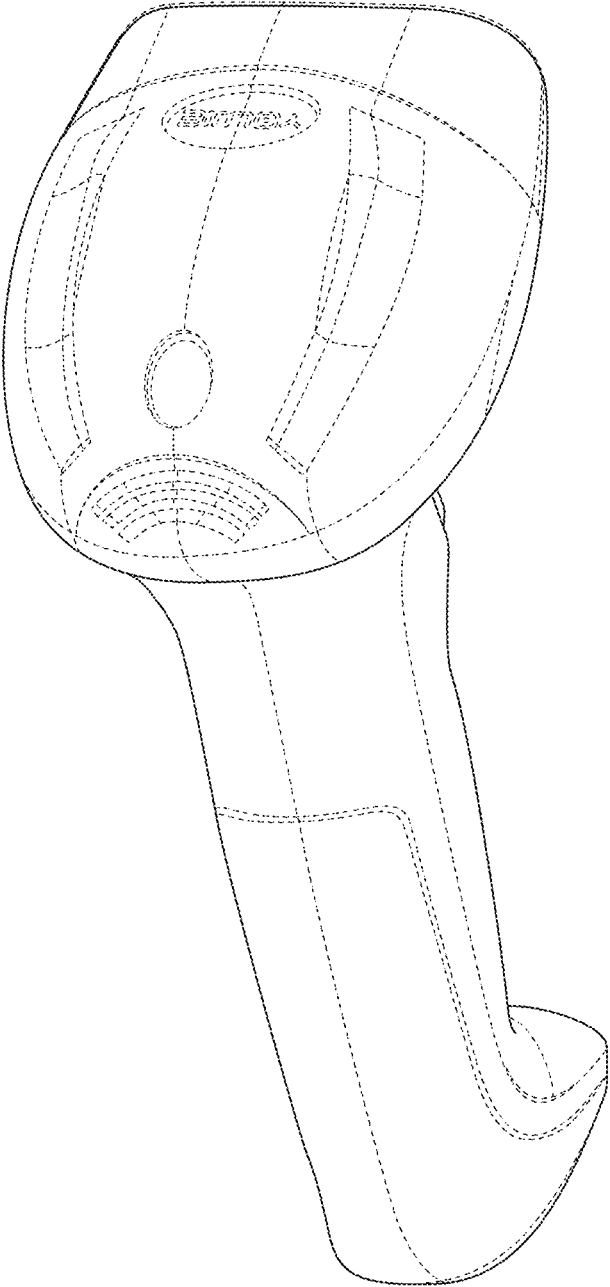


FIG. 9

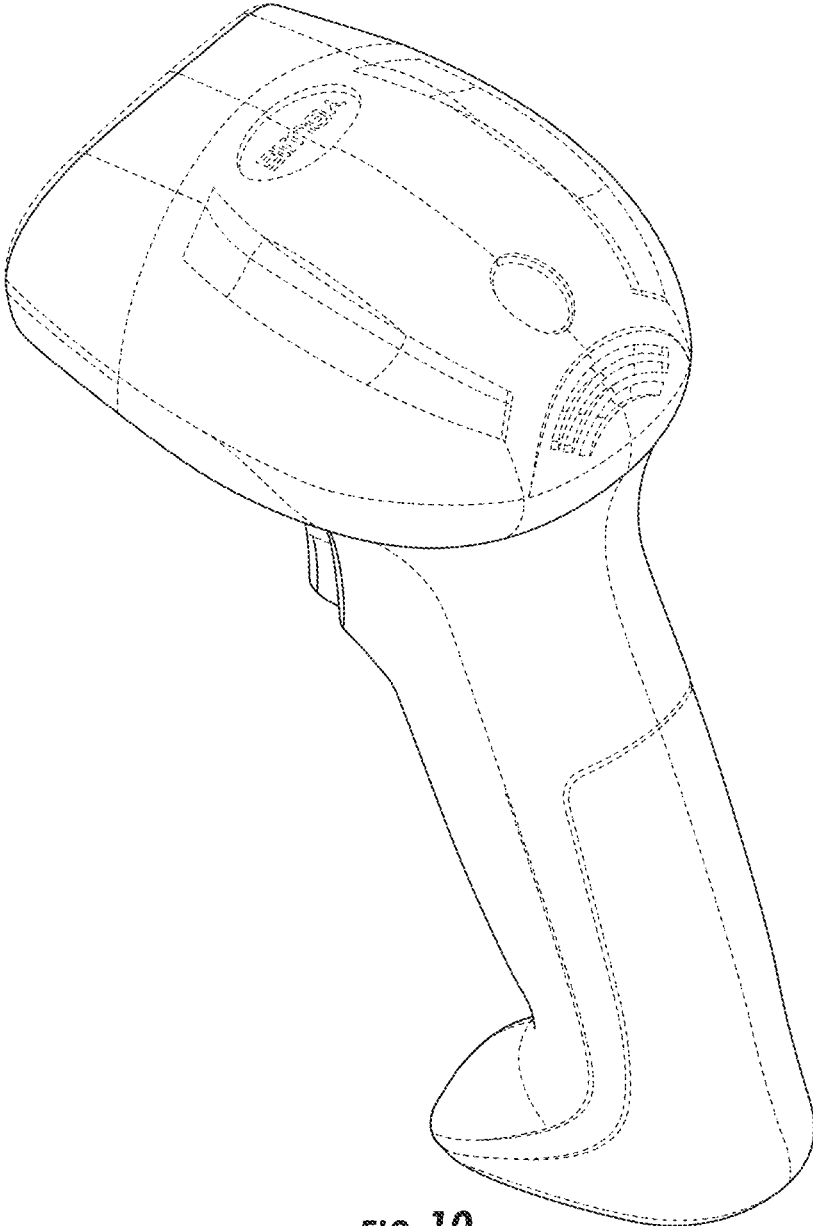


FIG. 10