



US00D886047S

(12) **United States Design Patent**  
**Hung et al.**

(10) **Patent No.:** **US D886,047 S**

(45) **Date of Patent:** **\*\* Jun. 2, 2020**

(54) **POWER STATION**

*Primary Examiner* — Rosemary K Tarcza

(74) *Attorney, Agent, or Firm* — JCIPRNET

(71) Applicant: **Merry Electronics(Shenzhen) Co., Ltd.**, Guangdong (CN)

(72) Inventors: **Yu-Ting Hung**, Taichung (TW);  
**Chung-Yi Huang**, Taichung (TW)

(57) **CLAIM**

(73) Assignee: **Merry Electronics(Shenzhen) Co., Ltd.**, ShenZhen (CN)

The ornamental design for a power station, as shown and described.

(\*\*) Term: **15 Years**

(21) Appl. No.: **29/631,764**

**DESCRIPTION**

(22) Filed: **Jan. 3, 2018**

(51) **LOC (12) Cl.** ..... **13-02**

(52) **U.S. Cl.**

USPC ..... **D13/107; D13/103**

(58) **Field of Classification Search**

USPC ..... D13/103–104, 106–110, 118–119, 184,  
D13/199; D14/251, 253, 432, 434,  
D15/9

CPC ..... Y02E 60/10; Y02E 60/12; Y02E 60/122;  
Y02E 60/124; Y02E 60/50; H02J 7/00;  
H02J 7/0003; H02J 7/0011; H02J 7/0013;  
H02J 7/0034; H02J 7/0054; H02J 7/0055;  
H02J 7/0057; H02J 7/1423; H02J  
2001/006; H01M 10/44; H01M 10/46;  
H01M 10/465; H01M 10/482; H01M  
2/02; H01M 2/022; H01M 2/0202; H01M  
2/0207; H01M 2/0212; H01M 2/1061;  
H01M 2/1022; H01M 2/1055; H01M  
2/1066; H01M 2/105; H01M 2/20; H01M  
2/202; H01M 2/204; H01M 2/206; H01M  
2200/30; H01M

(Continued)

FIG. 1 is a perspective view of a power station showing a first embodiment of our new design;  
FIG. 2 is another perspective view thereof;  
FIG. 3 is a front view thereof;  
FIG. 4 is a rear view thereof;  
FIG. 5 is a left side view thereof;  
FIG. 6 is a right side view thereof;  
FIG. 7 is a top view thereof;  
FIG. 8 is a bottom view thereof;  
FIG. 9 is another perspective view thereof with the power expansion accessory engaged;  
FIG. 10 is a perspective view of a power station showing a second embodiment of our new design;  
FIG. 11 is another perspective view thereof;  
FIG. 12 is a front view thereof;  
FIG. 13 is a rear view thereof;  
FIG. 14 is a left side view thereof;  
FIG. 15 is a right side view thereof;  
FIG. 16 is a top view thereof;  
FIG. 17 is a bottom view thereof; and,  
FIG. 18 is another perspective view thereof with the power expansion accessory engaged.

The dashed broken lines illustrate portions of the power station that form no part of the claimed design. The dot-dash broken lines represent the boundaries of the claimed design, and form no part thereof. The dashed broken lines showing a power expansion accessory in FIGS. 9 and 18 are for the purpose of illustrating environmental structure, and form no part of the claimed design.

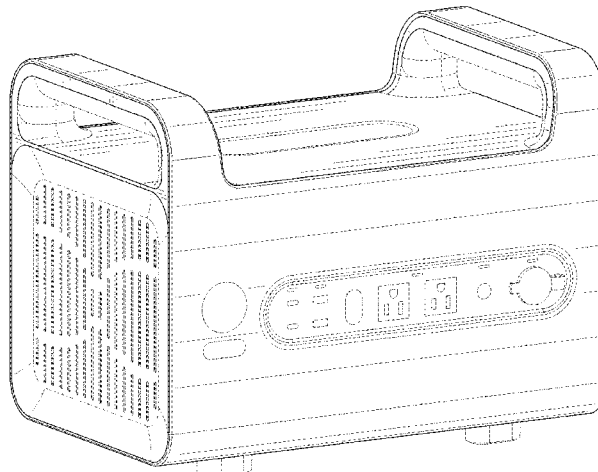
(56) **References Cited**

**U.S. PATENT DOCUMENTS**

D420,324 S \* 2/2000 Wan ..... D13/107  
D491,139 S \* 6/2004 Krieger ..... D13/107  
D491,141 S \* 6/2004 Krieger ..... D13/107

(Continued)

**1 Claim, 16 Drawing Sheets**



- (58) **Field of Classification Search**  
CPC ..... 2250/30; H01M 2250/40; Y02T 10/7005;  
Y02T 10/705; Y02T 10/7088  
See application file for complete search history.

(56) **References Cited**

U.S. PATENT DOCUMENTS

D506,723	S	*	6/2005	Krieger	.....	D13/107
D506,724	S	*	6/2005	Hriscu	.....	D13/107
D511,491	S	*	11/2005	Hriscu	.....	D13/107
D527,340	S	*	8/2006	Christiani	.....	D13/107
D527,342	S	*	8/2006	Krieger	.....	D13/107
D530,271	S	*	10/2006	Hriscu	.....	D13/107
D530,272	S	*	10/2006	Hulden	.....	D13/107
D664,499	S	*	7/2012	Workman	.....	D13/107
D684,115	S	*	6/2013	Inskeep	.....	D13/107
D762,165	S	*	7/2016	Rowe	.....	D13/103
D764,403	S	*	8/2016	Azuma	.....	D13/103
D823,789	S	*	7/2018	Yang	.....	D13/107
D837,149	S	*	1/2019	Yin	.....	D13/108
D840,925	S	*	2/2019	Tschopp	.....	D13/107
D842,240	S	*	3/2019	Lai	.....	D13/107

\* cited by examiner

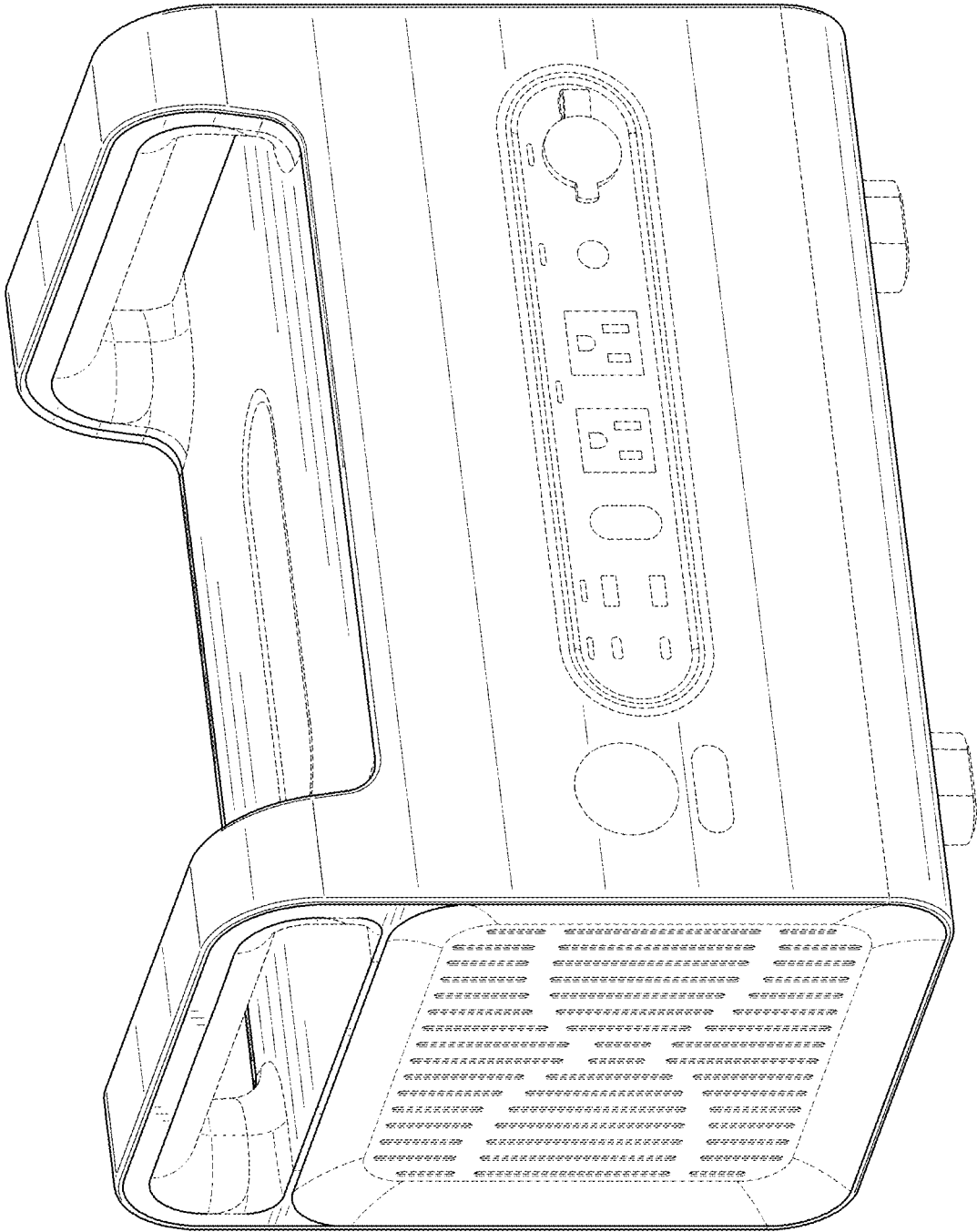


FIG. 1

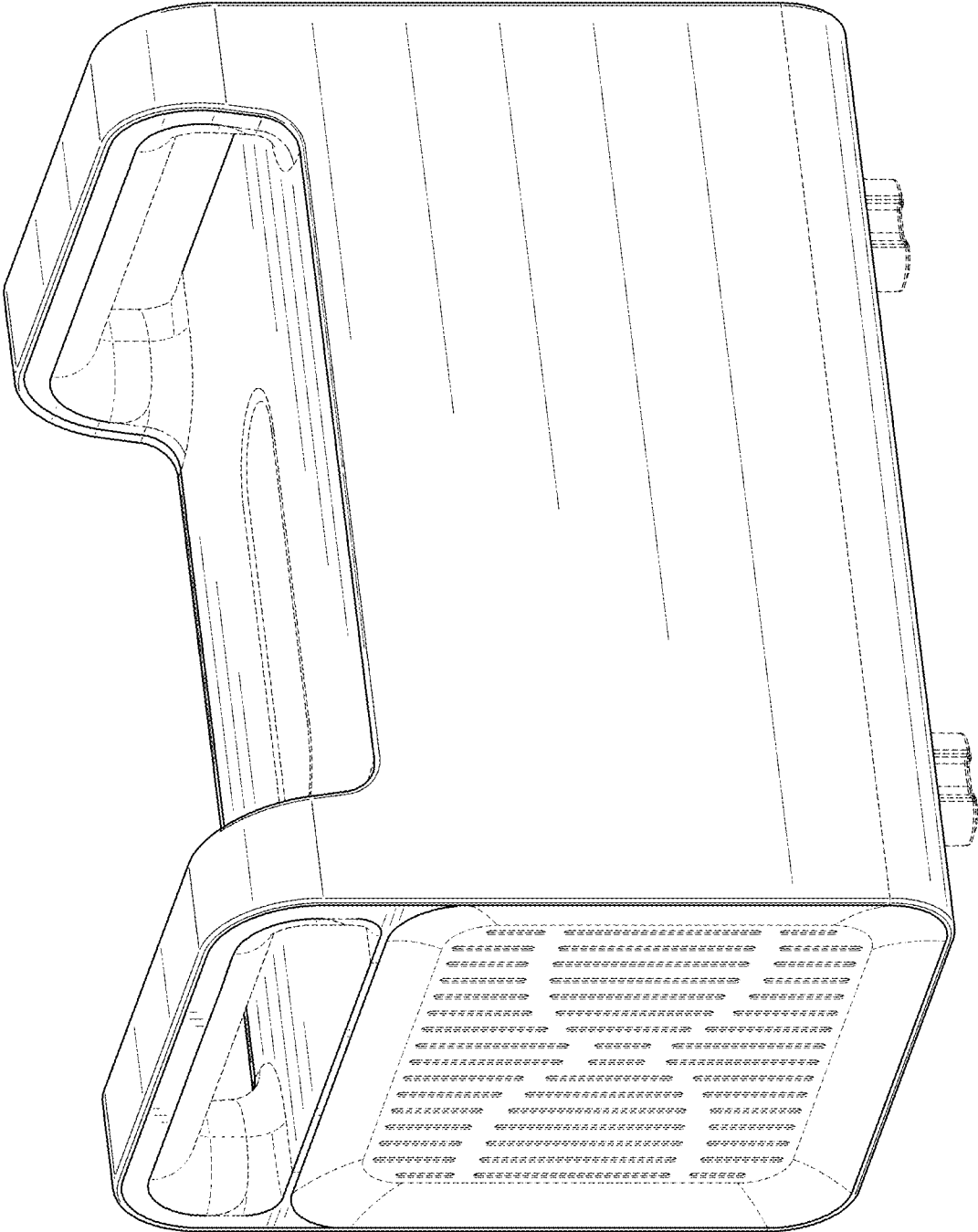


FIG. 2

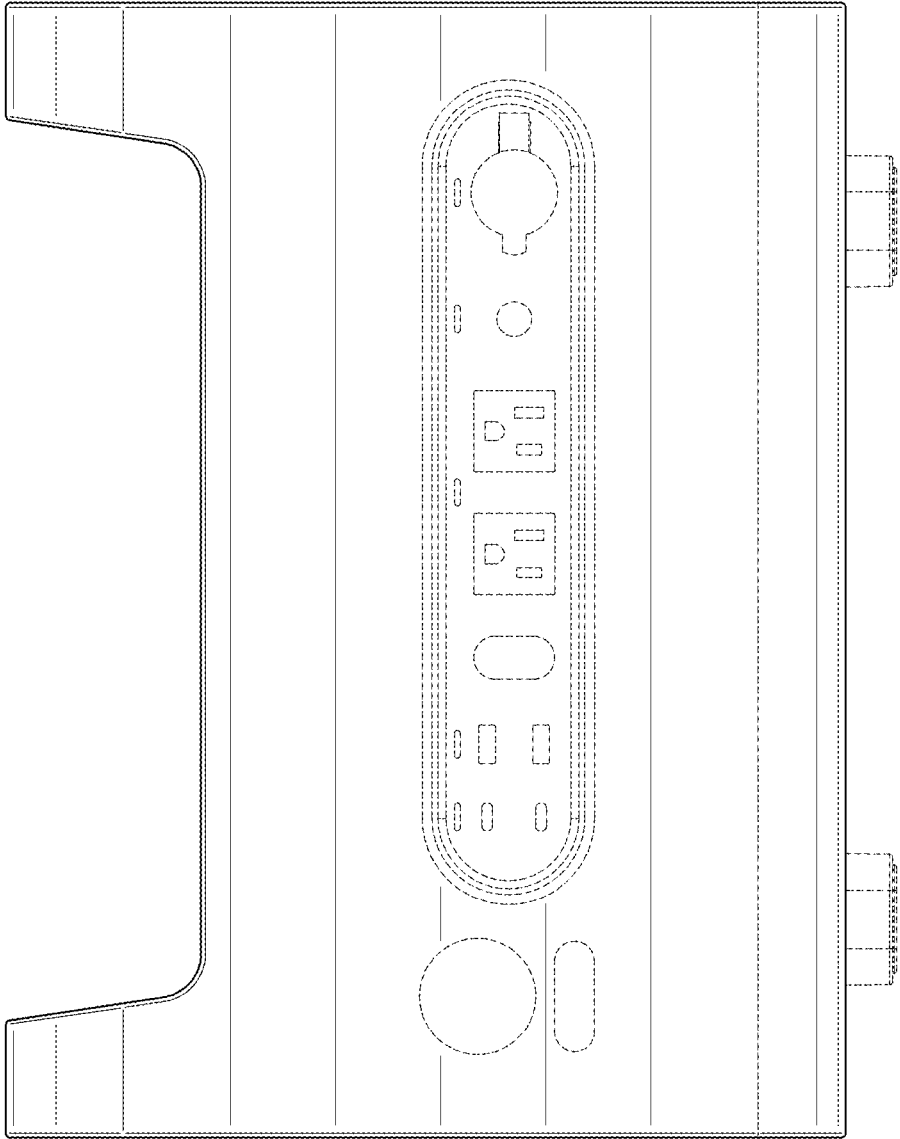


FIG. 3

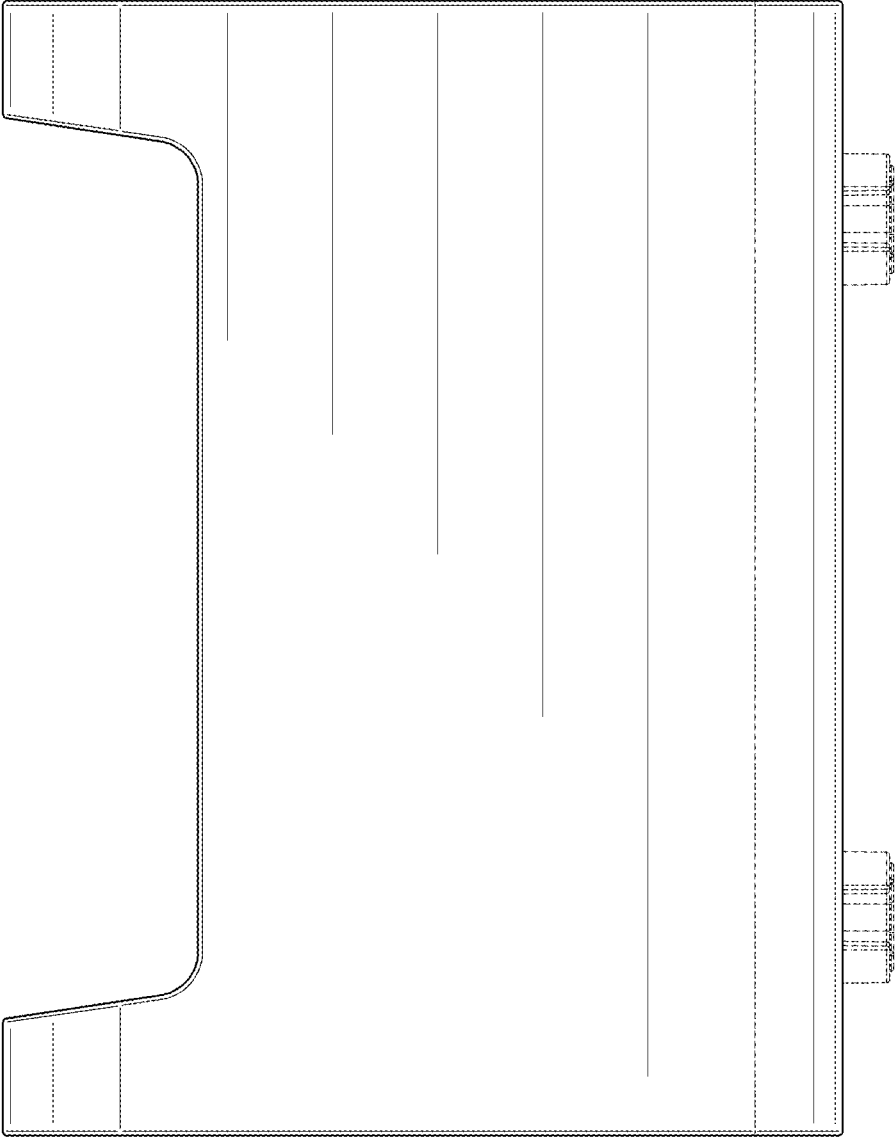


FIG. 4

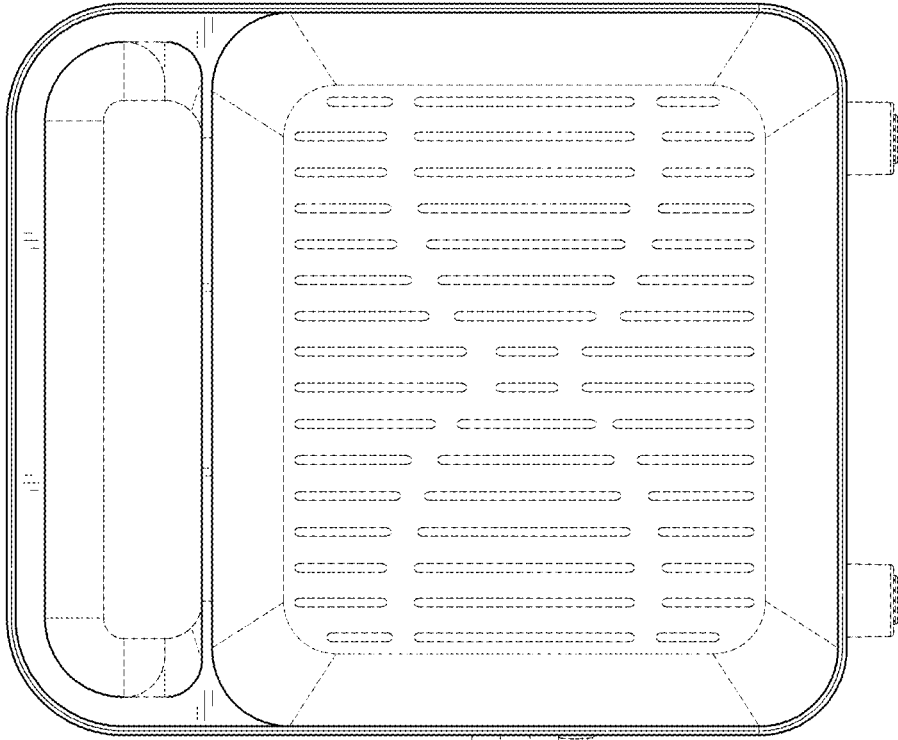


FIG. 5

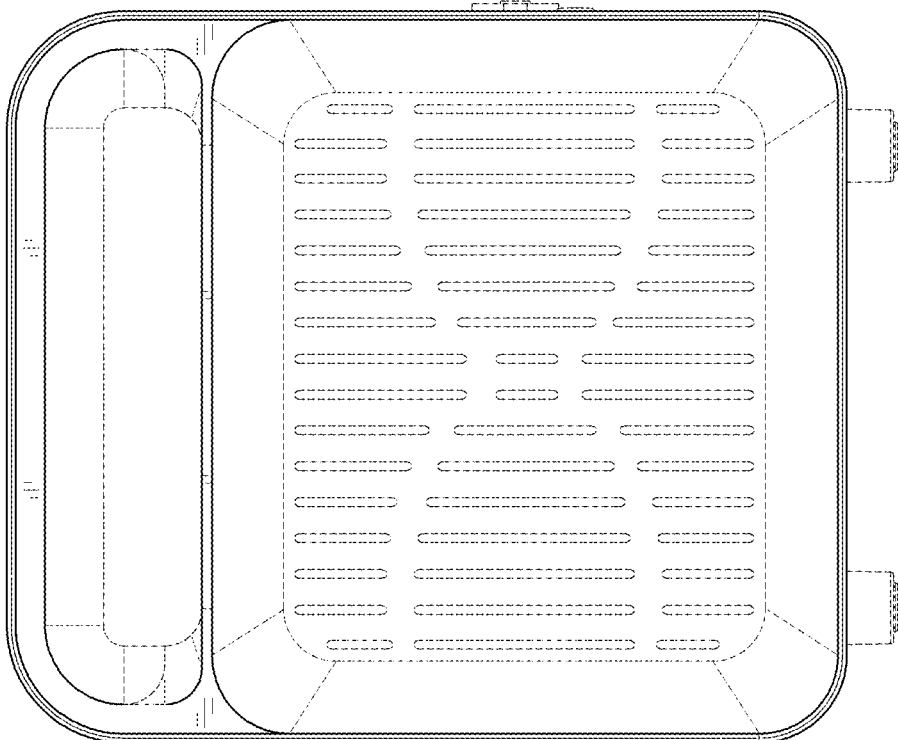


FIG. 6

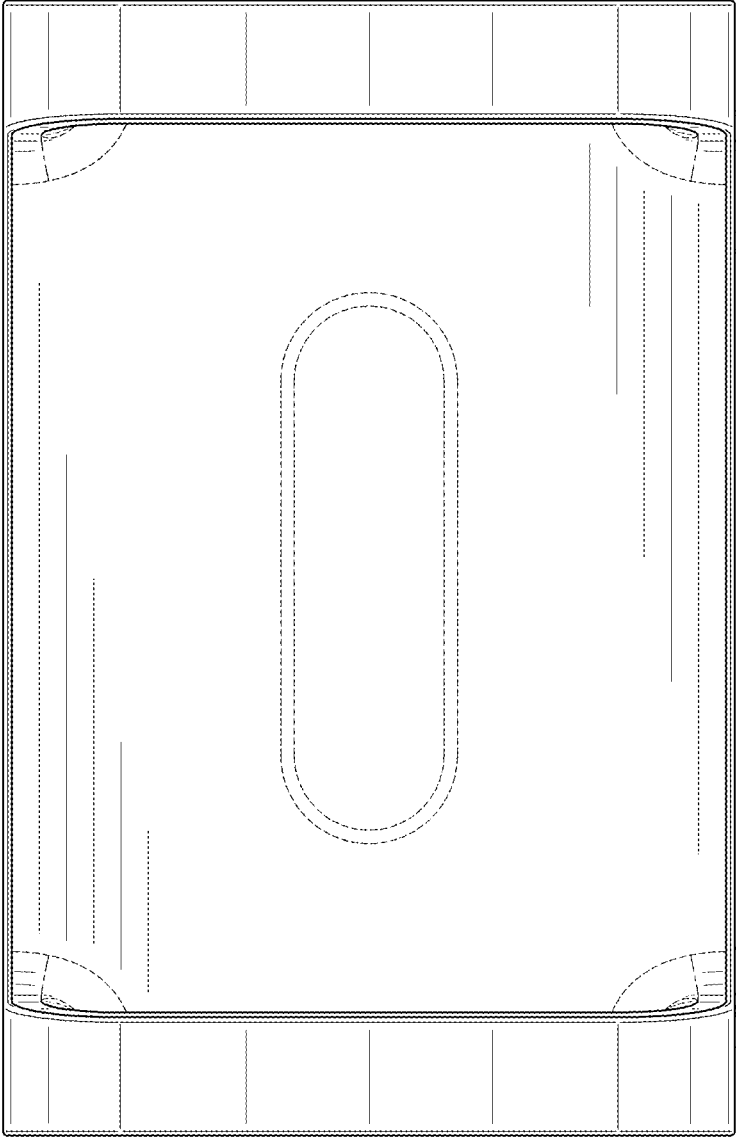


FIG. 7



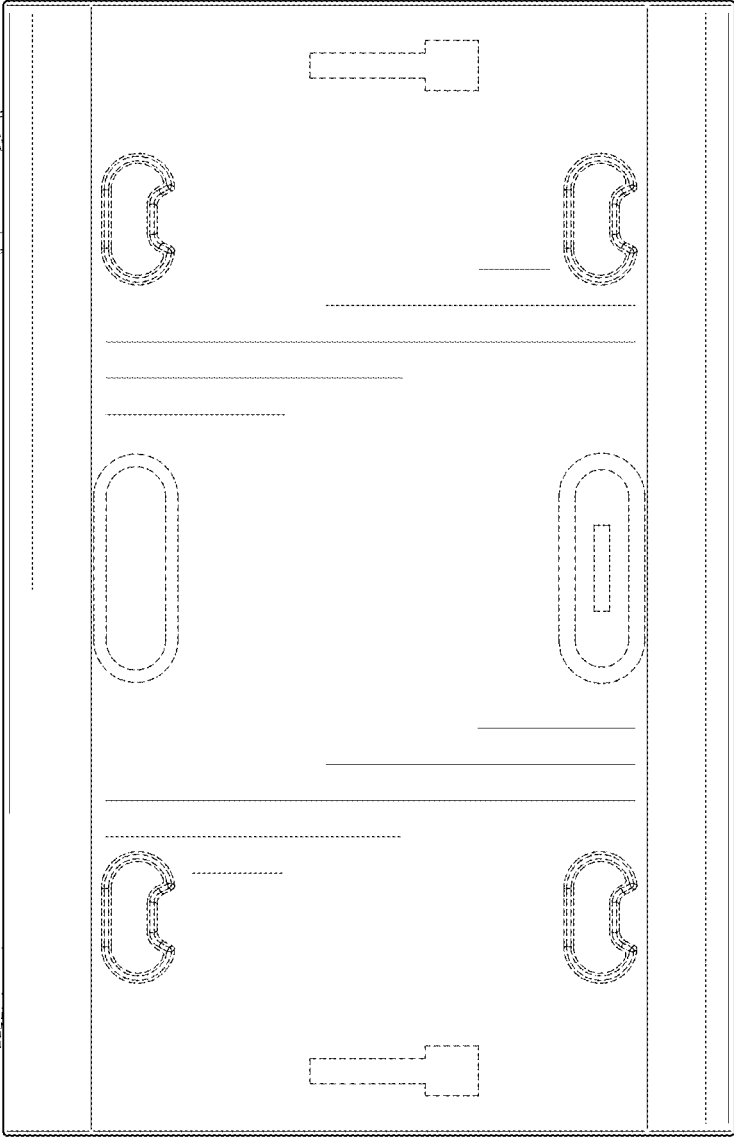
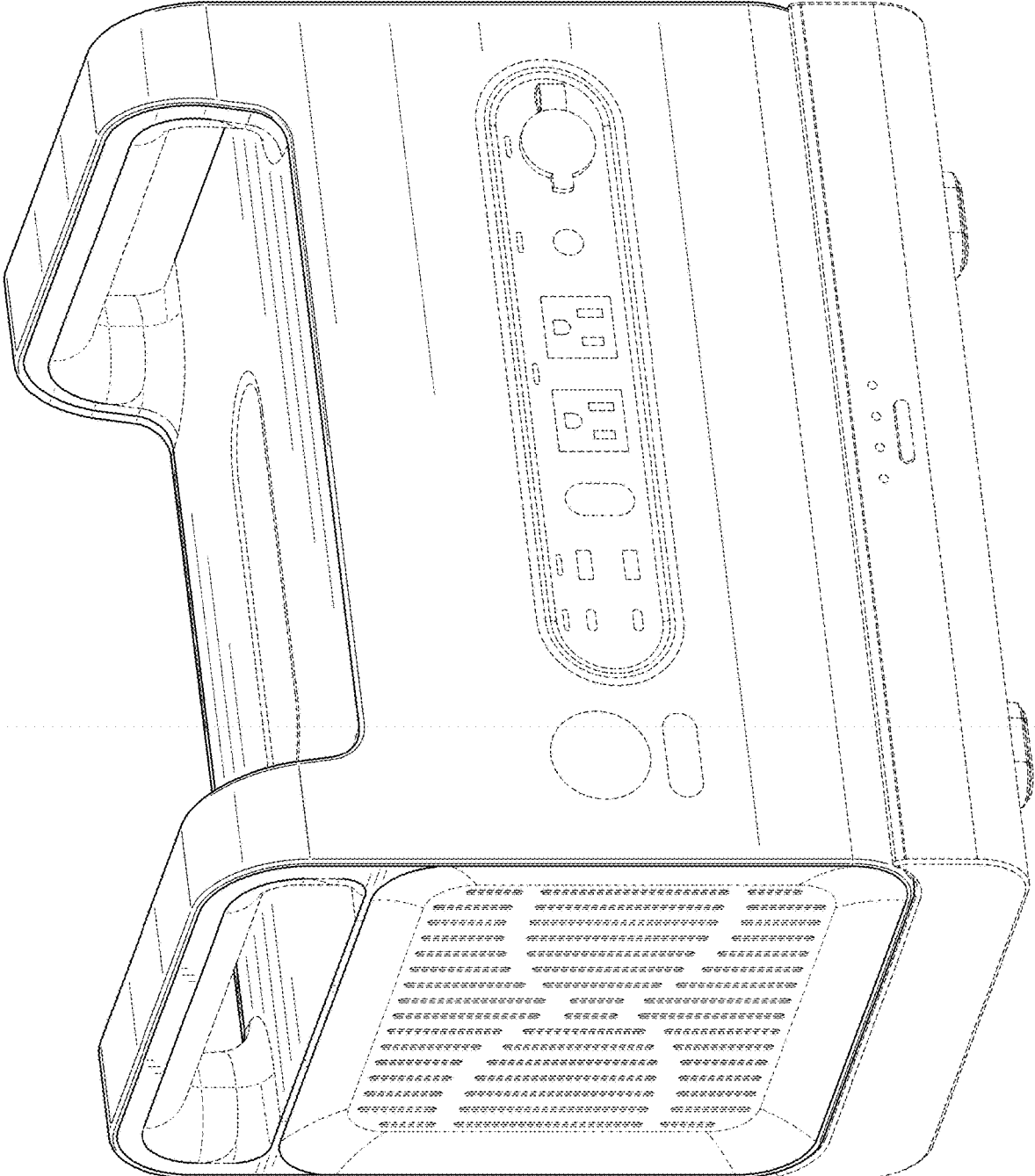


FIG. 8

FIG. 9



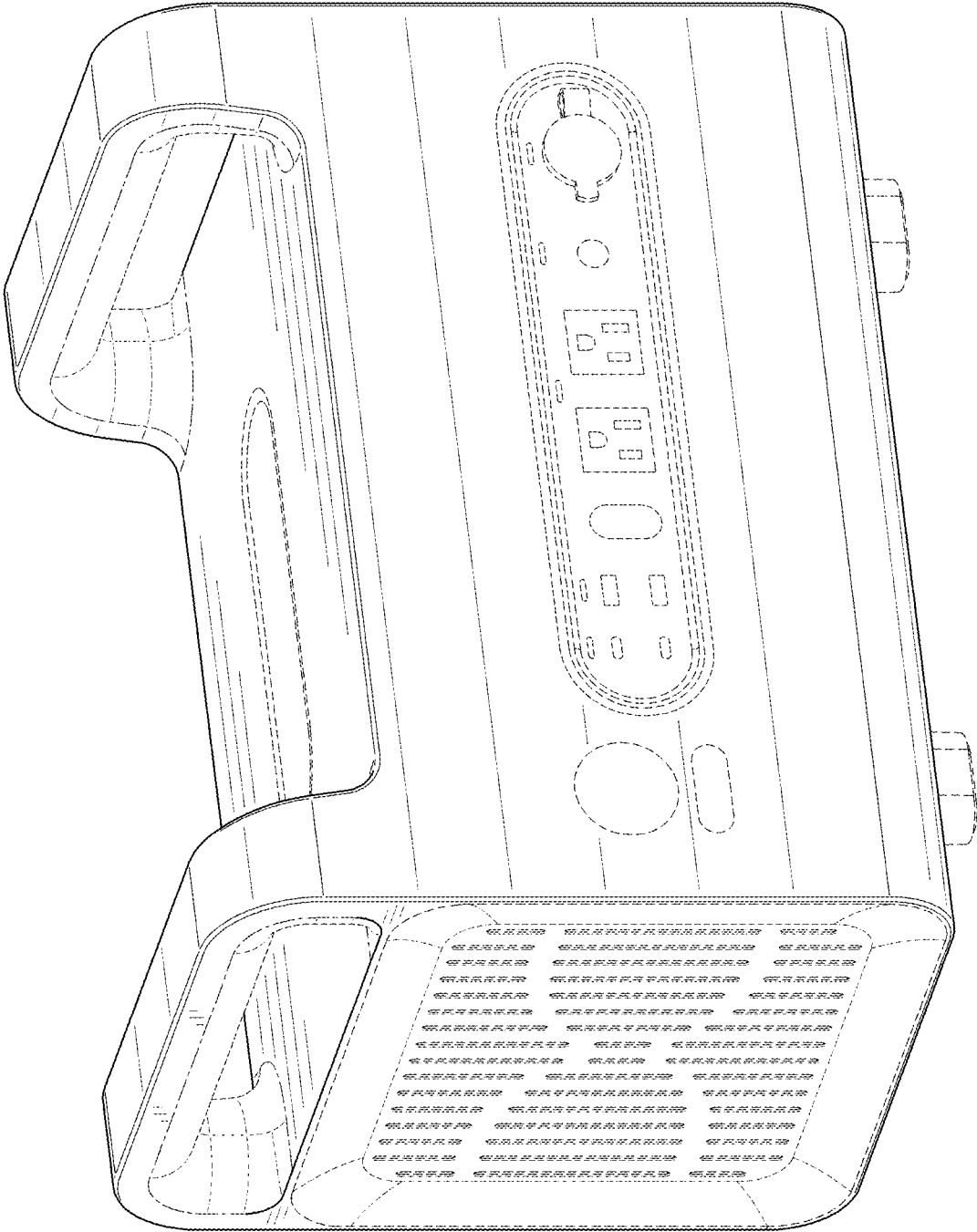


FIG. 10

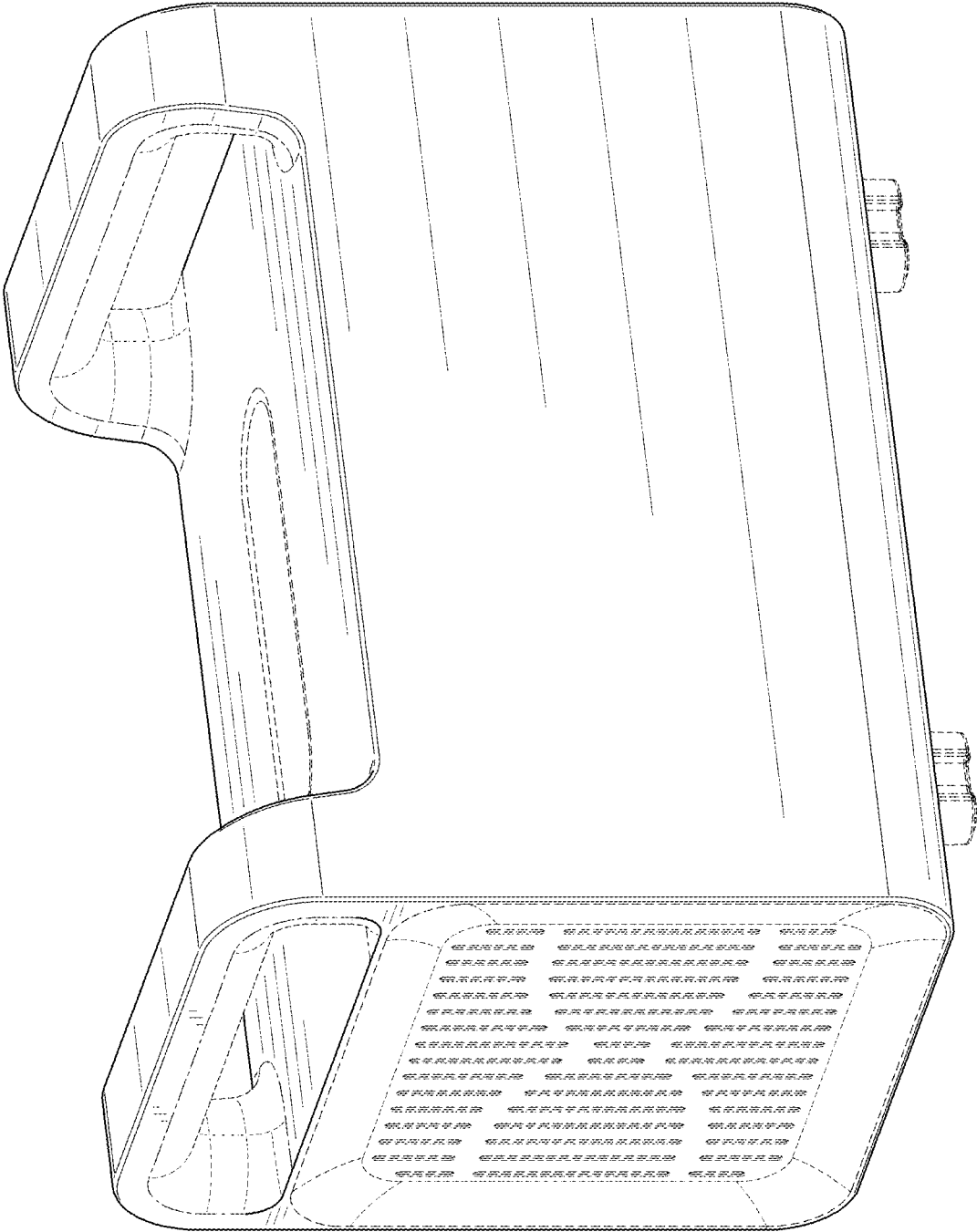


FIG. 11

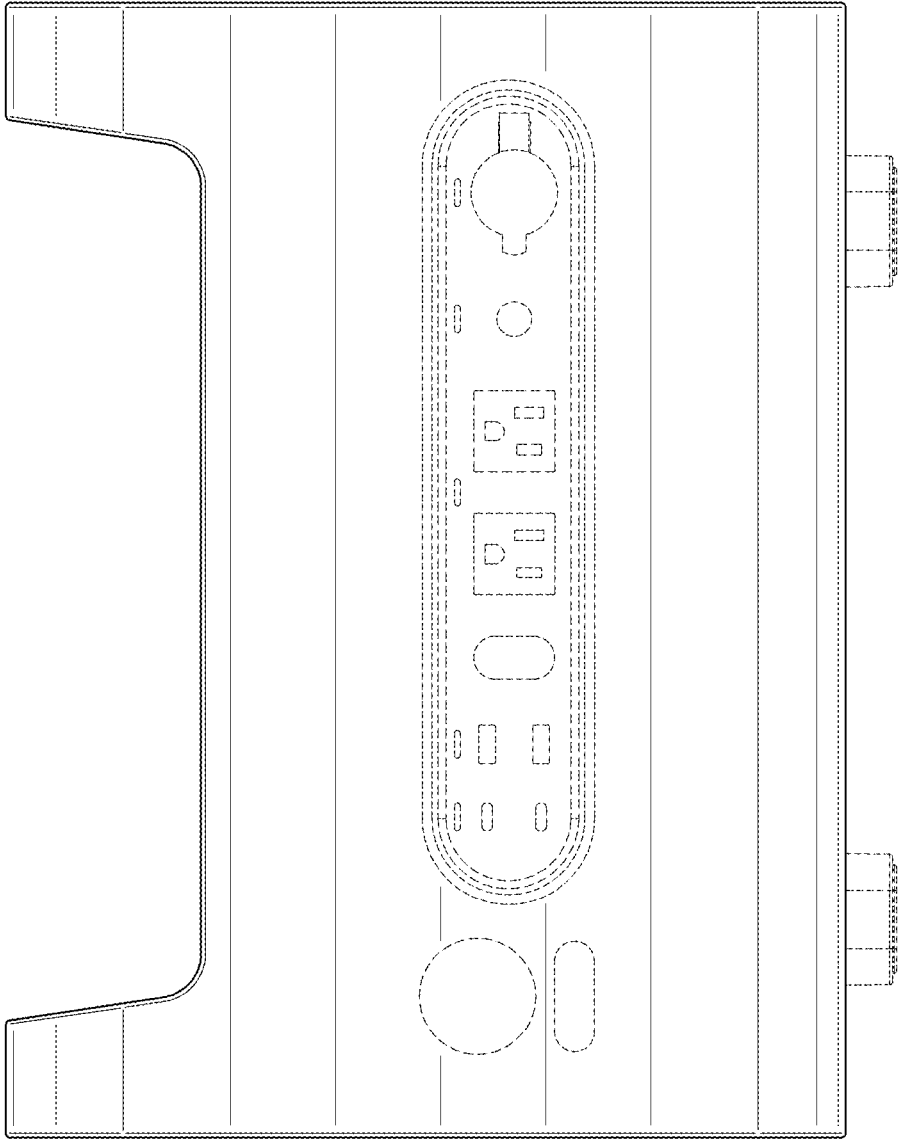


FIG. 12

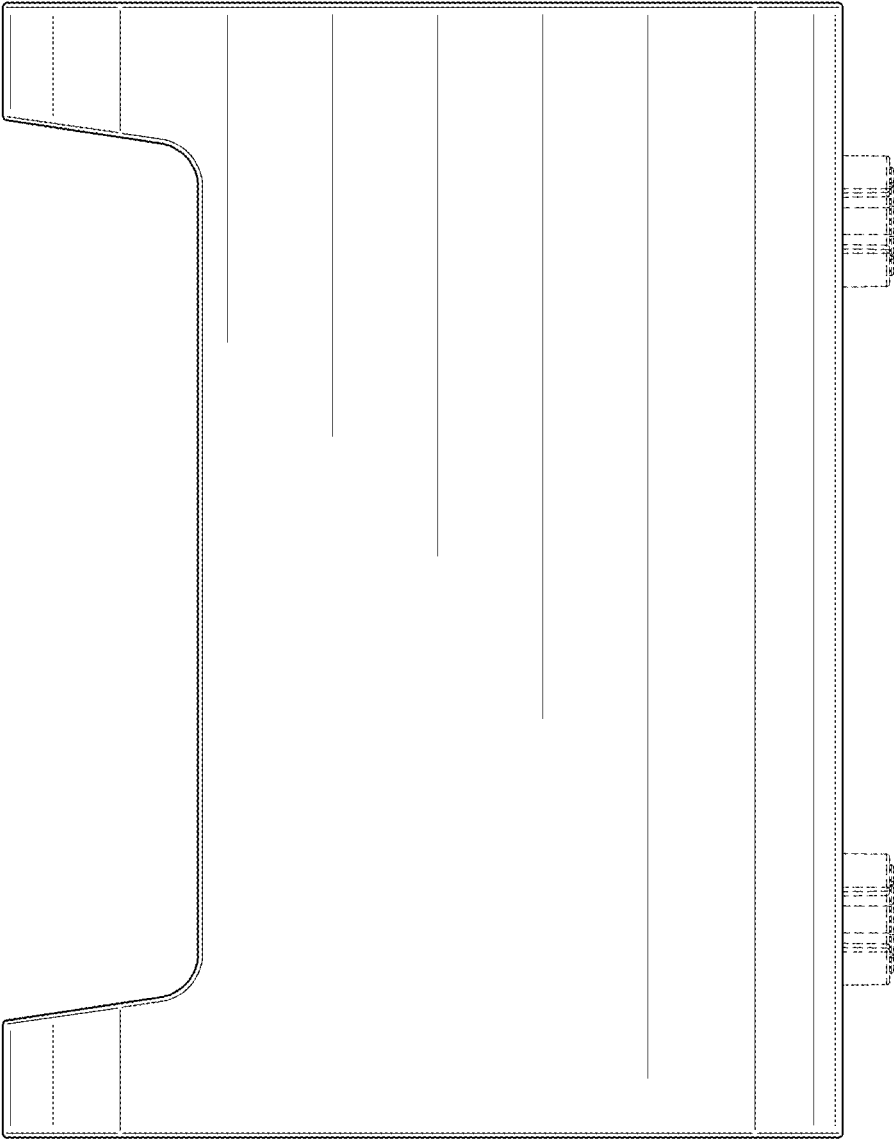


FIG. 13

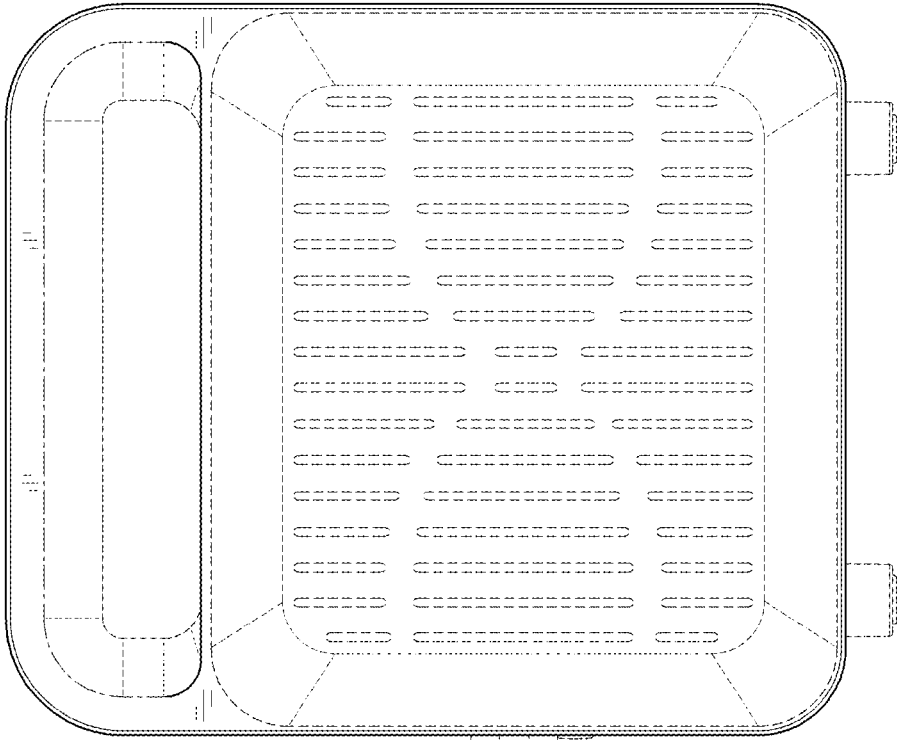


FIG. 15

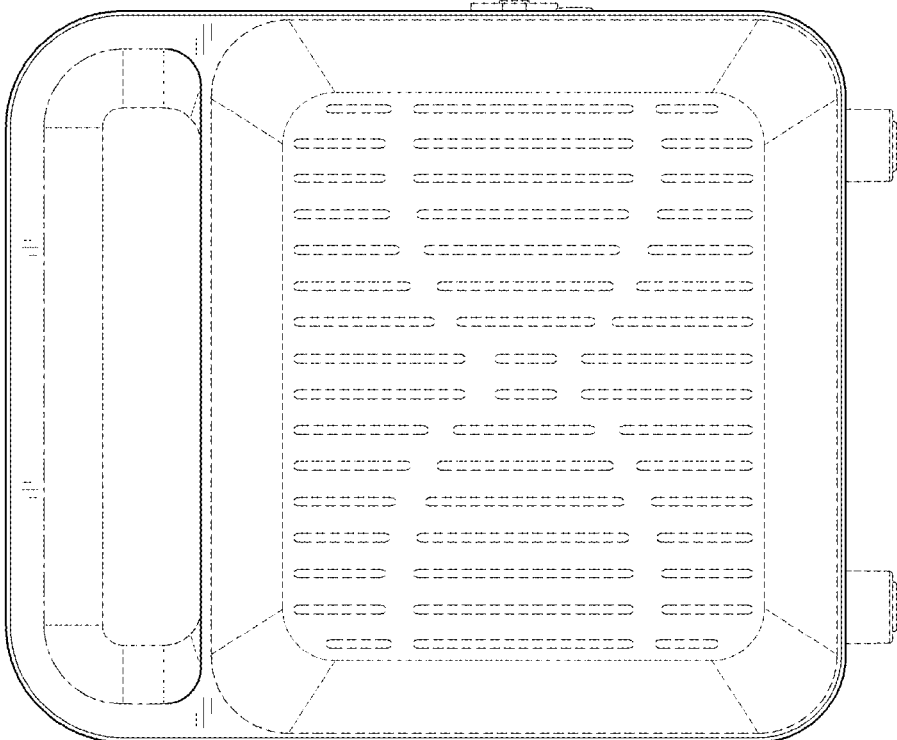


FIG. 14

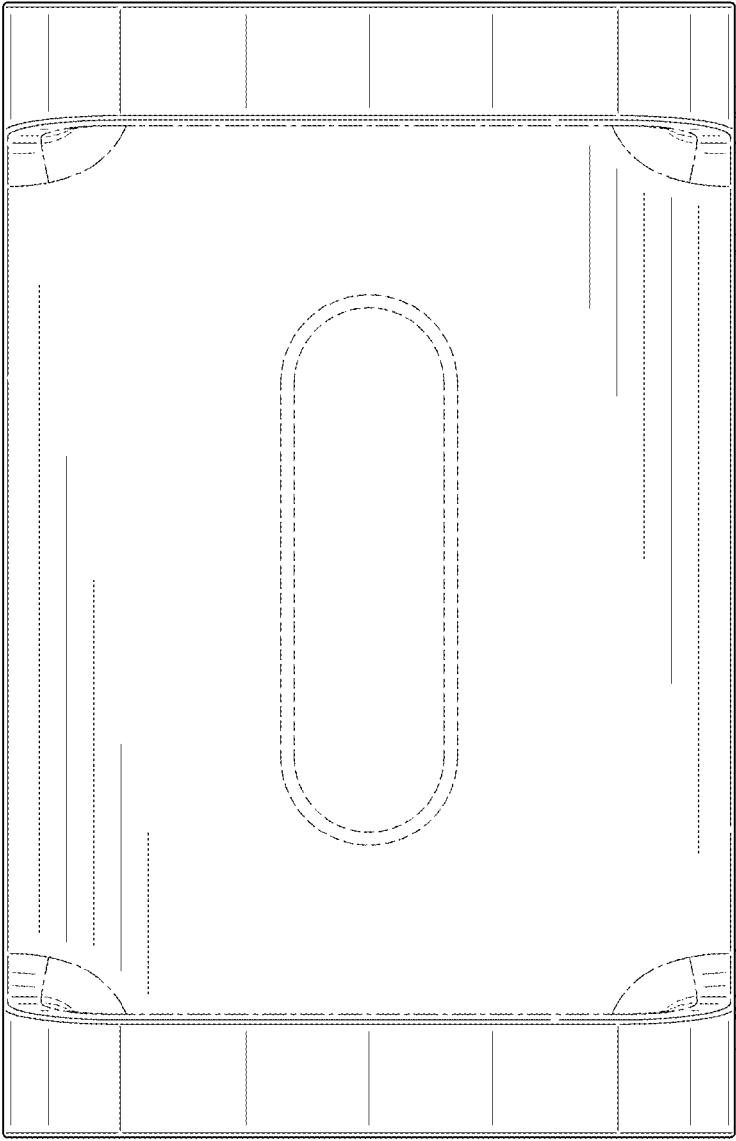


FIG. 16



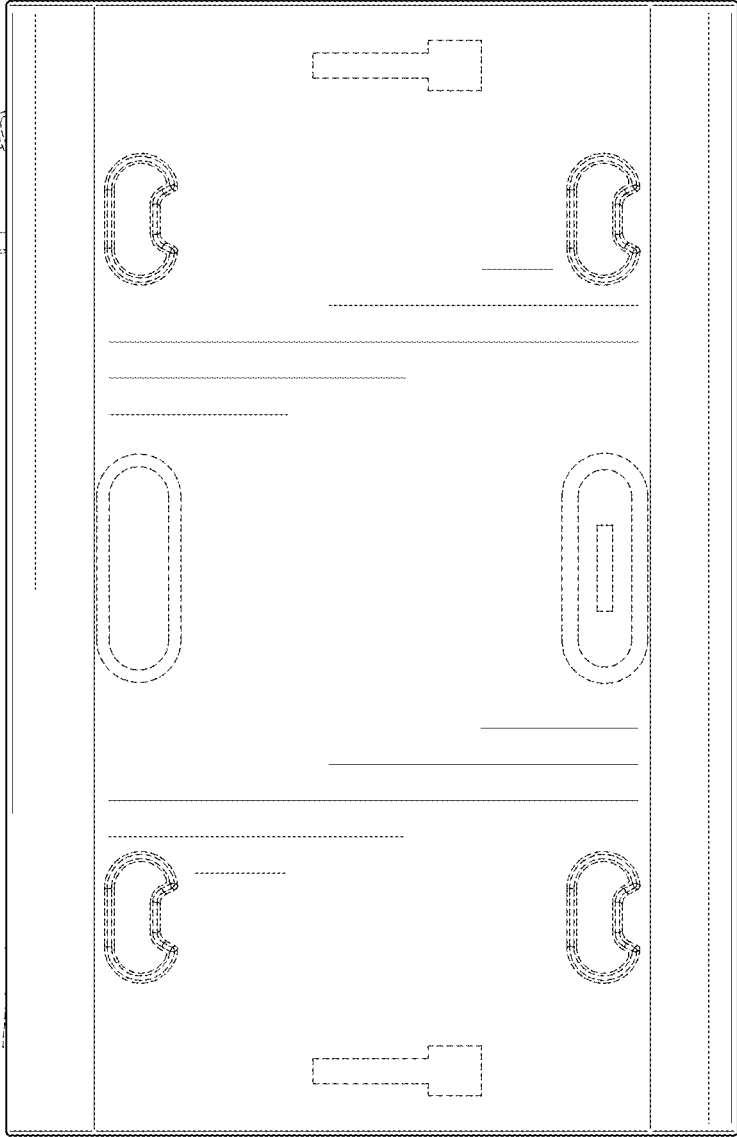


FIG. 17

FIG. 18

