

(19) World Intellectual Property  
Organization  
International Bureau



(43) International Publication Date  
7 October 2004 (07.10.2004)

PCT

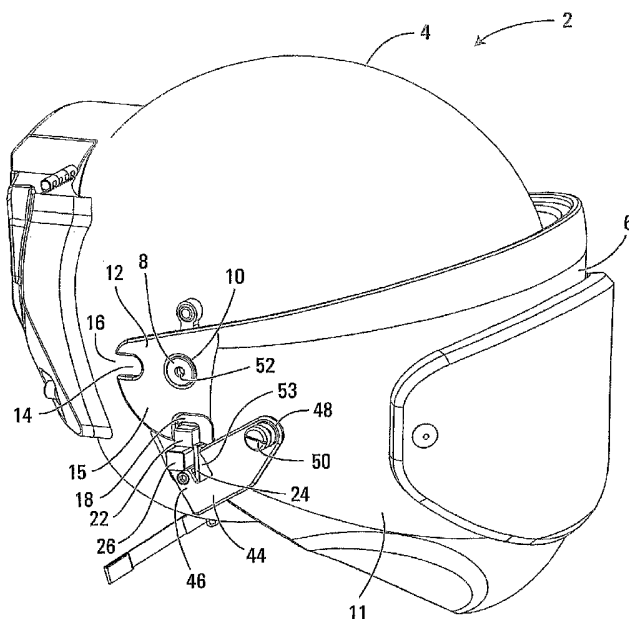
(10) International Publication Number  
**WO 2004/084664 A2**

- (51) International Patent Classification<sup>7</sup>: **A42B**
- (21) International Application Number:  
PCT/CA2004/000444
- (22) International Filing Date: 29 March 2004 (29.03.2004)
- (25) Filing Language: English
- (26) Publication Language: English
- (30) Priority Data:  
60/457,927 28 March 2003 (28.03.2003) US  
60/520,641 18 November 2003 (18.11.2003) US
- (71) Applicant (for all designated States except US):  
**MED-ENG SYSTEMS INC.** [CA/CA]; 2400 St. Laurent  
Boulevard, Ottawa, Ontario K1G 6C4 (CA).
- (72) Inventors; and
- (75) Inventors/Applicants (for US only): **MAKRIS, Aristidis**  
[CA/CA]; 8 Gleeson Way, Ottawa, Ontario K2J 5A2  
(CA). **GRILLAS, Athanasios** [CA/CA]; 13 Gleeson  
Way, Ottawa, Ontario K2J 5A2 (CA). **MITRIC, Bratislav**  
[CA/CA]; 604-199 Kent St., Ottawa, Ontario K2P 2K8

(CA). **FISHER, Geoffrey** [CA/CA]; 909-321 Waver-  
ley St., Ottawa, Ontario K2P 0W2 (CA). **SOBEL, Jay**  
[CA/CA]; 46 Summerwind Cres., Ottawa, Ontario K2G  
6G5 (CA). **WHITE, Julia** [CA/CA]; 200 Blackdome  
Cres., Kanata, Ontario K2T 1A6 (CA). **MYLES, Justin,**  
**E.** [CA/CA]; 6100 8th Line, Carlsbad Springs, Ontario  
K0A 1K0 (CA). **VADEBONCOEUR, Maxime** [CA/CA];  
163 rue Dollard-des Ormeaux, Gatineau, Quebec J8X 3M8  
(CA). **JAMES, Raymond** [CA/CA]; 2123 Blackcreek  
Rd., Edwards, Ontario K0A 1V0 (CA). **L'ABBE, Richard**  
[CA/CA]; 3203 Carriage Hill Place, Ottawa, ONTARIO  
K1T 3X2 (CA). **FARRELL, Rod** [CA/CA]; 42 Tennyson  
St., Ottawa, Ontario K2E 7H1 (CA). **KALAAM, Shaik**  
[CA/CA]; 803-2851 Baycrest Dr., Ottawa, Ontario K1V  
8V7 (CA). **HEDGE, Clint** [CA/CA]; 13665 Locks Rd.,  
RR 3, Chesterville, Ontario K0C 1H0 (CA). **BORTOT,**  
**Peter** [CA/CA]; 5427 Taylor Way, Osgood, Ontario K0A  
2W0 (CA). **PFLANZ, Simon** [CA/CA]; 10146 Clark  
Rd., Mountain, Ontario K0E 1S0 (CA). **LECLERC,**  
**Gilles** [CA/CA]; 4 Leber, Aylmer, Quebec J9H 1C5 (CA).  
**PAGE, Daniel** [CA/CA]; 1409 - 158B MacArthur, Ottawa,  
Ontario K1L 8C9 (CA).

[Continued on next page]

(54) Title: HEAD PROTECTOR



(57) Abstract: A head protection system comprises a helmet shell, a visor mounting for pivotally mounting a visor to the shell to enable the visor to be moved between raised and lowered positions, and a retainer for releasably retaining the visor to the helmet. The system includes a visor adapted for mounting on the shell which comprises a substrate of transparent thermoplastic material and a backing substrate comprising a plurality of layers of high performance, ballistic resistant material. The system may further include a second visor which can be releasably connected to the shell using the same visor mounting and which may have a different construction and primary function.

WO 2004/084664 A2



(74) **Agents:** STONE, Olivier, A. et al.; Smart & Biggar, P.O. Box 2999, Station D, 900 - 55 Metcalfe Street, Ottawa, Ontario K1P 5Y6 (CA).

(81) **Designated States** (*unless otherwise indicated, for every kind of national protection available*): AE, AG, AL, AM, AT, AU, AZ, BA, BB, BG, BR, BW, BY, BZ, CA, CH, CN, CO, CR, CU, CZ, DE, DK, DM, DZ, EC, EE, EG, ES, FI, GB, GD, GE, GH, GM, HR, HU, ID, IL, IN, IS, JP, KE, KG, KP, KR, KZ, LC, LK, LR, LS, LT, LU, LV, MA, MD, MG, MK, MN, MW, MX, MZ, NA, NI, NO, NZ, OM, PG, PH, PL, PT, RO, RU, SC, SD, SE, SG, SK, SL, SY, TJ, TM, TN, TR, TT, TZ, UA, UG, US, UZ, VC, VN, YU, ZA, ZM, ZW.

(84) **Designated States** (*unless otherwise indicated, for every kind of regional protection available*): ARIPO (BW, GH,

GM, KE, LS, MW, MZ, SD, SL, SZ, TZ, UG, ZM, ZW), Eurasian (AM, AZ, BY, KG, KZ, MD, RU, TJ, TM), European (AT, BE, BG, CH, CY, CZ, DE, DK, EE, ES, FI, FR, GB, GR, HU, IE, IT, LU, MC, NL, PL, PT, RO, SE, SI, SK, TR), OAPI (BF, BJ, CF, CG, CI, CM, GA, GN, GQ, GW, ML, MR, NE, SN, TD, TG).

**Declaration under Rule 4.17:**

— *of inventorship (Rule 4.17(iv)) for US only*

**Published:**

— *without international search report and to be republished upon receipt of that report*

*For two-letter codes and other abbreviations, refer to the "Guidance Notes on Codes and Abbreviations" appearing at the beginning of each regular issue of the PCT Gazette.*

Title of the InventionHEAD PROTECTORField of the Invention

The present invention relates to head protectors  
5 and protective armour, and in particular but not limited to  
head protectors and armour for protecting personnel against  
blasts from explosives and other ordinance.

Background of the Invention

A head protector is known which forms part of a  
10 protective system for protecting personnel engaged in  
dangerous activities such as bomb disposal and land mine  
sweeping. The head protector comprises a helmet of the  
closed face type, i.e. having a frontal aperture which is  
completely surrounded by the helmet shell. A specially  
15 formed visor is mounted on the helmet shell over the frontal  
opening and is formed of acrylic which is capable of with-  
standing high energy forces from sharp fragments without  
shattering. The helmet is covered in multiple layers of  
ballistic resistant material to increase the level of  
20 protection provided by the helmet. A ventilation hose is  
attached to the rear of the helmet, the end of which houses  
an electrically operated fan for providing ventilation air  
into the interior of the helmet. The hose and electrical  
fan combination also provide a counterweight to balance the  
25 weight of the visor at the front of the helmet to bring the  
centre of gravity of the helmet nearer its centre. The  
visor is securely fastened to the helmet by fasteners  
positioned at the top and bottom of the helmet opening.

Summary of the Invention

According to one aspect of the present invention, there is provided a head protection system comprising a helmet shell, mounting means on the shell for pivotally mounting a visor thereto to permit the visor to be moved between raised and lowered positions, retaining means for releasably retaining a visor on the mounting means, and a visor being adapted for mounting on said mounting means and comprising a construction such that at least a portion of the visor has a V-50 impact rating of 600 metres per second or more using the test standard MIL-STD-662F using a 0.22mm projectile defined in MIL-P-46593A.

The test referred to above is the MIL-STD-662F Department of Defence Test Method Standard. The projectile used in the tests is defined in the MIL-P-46593A (ORD) Military Specification: Calibers .22, .30., .50 and 22mm Fragment-Simulating Projectile. The test defined above uses only the .22 caliber projectile which is also referred to as the 17 grain (CN) Chisel Nose (FSP) Fragment Simulating Projectile.

Advantageously, this arrangement provides a protective system for protection against explosive ordnance and which also allows the visor to be raised to an position for increased ventilation and convenience when the protective visor is not required. This arrangement also allows the visor to be removed and replaced by another visor having a different function.

In one embodiment, the visor may comprise a plurality of layers of high performance ballistic resistant material within its construction to prevent penetration to a wearer of sharp high energy fragments.

The viewing portion of the visor may include a layer of acrylic material which has a high energy absorption capacity, and in one embodiment, the acrylic layer may have a thickness of between 0.5 to 5/8 of an inch. The visor may also comprise a substrate layer of polycarbonate which, in one embodiment may have a thickness of between 3/8 and 1/4 inches. The V-50 rating of the acrylic layer may range from 600 to 800 metres per second, and the V-50 rating of the polycarbonate and backing layer of ballistic resistant material may have a V-50 rating of more than 600 metres per second, and the rating may be 700 metres per second or more.

According to another aspect of the present invention, there is provided a head protection system comprising a helmet shell, mounting means on the shell for pivotally mounting a visor thereto to enable the visor to be moved between raised and lowered positions, retaining means for releasably retaining a visor on the mounting means, and a visor adapted for mounting on said mounting means and comprising a layer of transparent material, and a plurality of layers of ballistic resistant material.

According to another aspect of the present invention, there is provided a helmet comprising a shell and mounting means for pivotally mounting a shield member to said shell for movement between a first position and a second position relative to said shell, and a locking system for locking said shield member in at least one of said first and second positions, and comprising a lock for preventing movement of said shield member relative to said shell and a manually accessible, depressible member adapted to release said lock on depression thereof, thereby allowing said shield member to move from the respective first or second position.

According to another aspect of the present invention, there is provided protective armour comprising a layer of a plastic, transparent material, a plurality of layers of high performance material, said layers being  
5 bonded together to form a laminate, and securing means for securing said laminate to said layer of plastic transparent material.

According to another aspect of the present invention, there is provided a visor for a helmet comprising  
10 a layer of plastic transparent material, a plurality of layers of high performance material, said layers being bonded together to form a laminate and securing means for securing said laminate to a portion of the surface of said plastic transparent material.

According to another aspect of the present invention, there is provided a process for forming protective armour comprising the steps of providing a layer  
15 of plastic transparent material, forming a laminate comprising a plurality of layers of high performance material and securing said laminate to said layer of plastic  
20 transparent material.

According to another aspect of the present invention, there is provided a helmet comprising a shell, a strap guide mounted on each side of the helmet in a position  
25 for supporting a strap for passing under the chin of a wearer, when in use, a strap which passes through and between each strap guide such that the portion of said strap between said strap guides form a chin strap, a support member coupled to the rear of said shell to allow relative  
30 movement between said support member and said shell and for engaging a portion of the head or neck of a wearer, when in use, said strap extending from each strap guide to said

support member, and a pull member extending from a position between said support member and said strap guides and which is arranged to cause the length of said strap extending from said support member through said strap guides to shorten  
5 when said pull member is pulled.

According to another aspect of the present invention, there is provided a retention system for a helmet comprising first and second strap guides for mounting on each side of the helmet in a position for supporting a strap  
10 for passing under the chin of a wearer, when in use, a strap which passes through and between each strap guide, the portion of said strap between said strap guides forming a chin strap, a support member for movably coupling to the rear of said helmet for engaging a portion of the head or  
15 neck of a wearer when in use, said strap extending from each strap guide to said support member, and pull members extending from said support member and which are arranged to cause the length of said strap extending from said support member through said strap guides to shorten when said pull  
20 members are pulled.

According to another aspect of the present invention, there is provided a helmet comprising a shell, an electrically powered system for assisting a wearer, and a power controller for controlling the power delivered to said  
25 system, wherein said power controller is releasably mounted to said shell.

According to another aspect of the present invention, there is provided a helmet comprising a shell, a visor having a moisture reducing means treatment on the  
30 surface thereof facing the interior of the shell, and electrically powered means for providing ventilation air to

the interior of said helmet, said electrically powered means being mounted to said helmet.

According to another aspect of the present invention, there is provided a control unit for controlling  
5 an electrically powered system for a helmet, the control unit having securing means for releasably securing the control unit to a helmet.

According to another aspect of the present invention, there is provided a helmet comprising a shell, a  
10 shield member and coupling means for coupling the shield member to the shell and permitting movement of said shield member relative to said shell, and shock absorption means coupled to said coupling means and arranged to permit  
15 movement of said shield member relative to said shell independently of said coupling means.

According to another aspect of the present invention, there is provided a helmet comprising a shell and a shield member coupled to said shell for movement between a  
20 first position and a second position relative to said shell, and a locking system for locking said shield member in at least one of said first and second positions and comprising a rotary cam mounted on said shell, an aperture formed in  
25 said shield member and an opening in the side of said aperture for receiving said cam into said aperture, said aperture permitting rotation of said cam when located in  
said aperture to a position which prevents movement of said cam from said aperture through said opening.

According to another aspect of the present invention, there is provided a protective system comprising  
30 a protective helmet, at least one electrically operated device mounted to said helmet, a controller for controlling said device from a location remote from said helmet, means

for transmitting control signals from said controller to  
said device, wherein said controller includes fastening  
means for fastening the controller to a part of a wearer's  
body so that, in use, the second controller is visible to  
5 the wearer.

According to another aspect of the present  
invention, there is provided a protective system comprising  
a helmet, at least one electrically operated device mounted  
to said helmet, a controller for controlling said device  
10 from a location remote from said helmet, means for  
transmitting control signals from said controller to said  
device, and wherein said controller includes visual  
indicating means responsive to a condition associated with  
at least one of said helmet and said controller.

15 According to another aspect of the present  
invention, there is provided a protective system comprising  
a helmet, at least one electrically operated device mounted  
to said helmet, a monitor for monitoring said device from a  
location remote from said helmet and means for transmitting  
20 signals from said device to said monitor.

According to another aspect of the present  
invention, there is provided a protective system comprising  
a helmet, at least one electrically operated device mounted  
to said helmet, means for at least one of controlling said  
25 device and monitoring said device from a location remote  
from said helmet, means for transmitting signals from at  
least one of said controller and said device to the other of  
said controller and said device, and a retainer mounted on  
the clothing of a wearer for retaining said controller.

30 According to another aspect of the present  
invention, there is provided a protective system comprising  
a helmet, at least one electrically device mounted to said

helmet and a source of electrical energy mounted to said helmet and arranged to drive said electrically operated device.

According to another aspect of the present invention, there is provided a protective helmet having a side portion which covers the ear of a user, and a microphone positioned on said side portion.

According to another aspect of the present invention, there is provided a head protector comprising a helmet shell having a head cavity therein, a liner for lining said head cavity, wherein at least one of the liner and the shell includes at least one retainer for slidably receiving a packing member for adjusting the size of the head cavity.

According to another aspect of the present invention, there is provided a head protector comprising a helmet shell and a shield, and coupling means for slidably engaging and disengaging the shield to and from the helmet shell.

According to another aspect of the present invention, there is provided a head protector comprising a helmet and a retainer for retaining the helmet on the head of a wearer wherein the retainer includes means extending from the helmet for supporting a connector either side of the helmet, each connector being adapted to releasably and interchangeably connect one of a chin cup and an under-the-jaw strap thereto.

According to another aspect of the present invention, there is provided a protective system comprising a helmet and a plurality of visors which can be

interchangeably connected to the helmet and coupling means for coupling each visor to the helmet.

According to another aspect of the present invention, there is provided a helmet having a retainer including a nape support, the nape support being connected to the helmet by first and second straps which extend at an angle and transversely from a common region of the nape.

According to another aspect of the present invention, there is provided a helmet having a retainer including a nape support and an adjustable strap for tightening the retainer about the head of a wearer, wherein the adjustable strap is connected to extend downwardly, and optionally sideways from the nape support.

According to another aspect of the present invention, there is provided a chin cup for a retention system, comprising a chin pad, having an upper portion and a lower portion, and a first strap positioned adjacent said upper portion and a second strap positioned adjacent said lower portion.

According to one aspect of the present invention, there is provided a helmet comprising a shell, a shield member and coupling means for coupling the shield member to the shell and permitting movement of said shield member relative to said shell, and shock absorption means coupled to said coupling means and arranged to permit movement of said shield member relative to said shell independently of said coupling means.

According to another aspect of the present invention, there is provided a helmet comprising a shell and a shield member coupled to said shell for movement between a first position and a second position relative to said shell,

and a locking system for locking said shield member in at least one of said first and second positions and comprising a rotary cam mounted on said shell, an aperture formed in said shield member and an opening in the side of said aperture for receiving said cam into said aperture, said aperture permitting rotation of said cam when located in said aperture to a position which prevents movement of said cam from said aperture through said opening.

According to another aspect of the present invention, there is provided a helmet comprising a shell and a shield member coupled to said shell for movement between a first position and a second position relative to said shell, and a locking system for locking said shield member in at least one of said first and second positions, and comprising a lock for preventing movement of said shield member relative to said shell and a manually accessible, depressible member adapted to release said lock on depression thereof, thereby allowing said shield member to move from the respective first or second position.

According to another aspect of the present invention, there is provided protective armour comprising a layer of a plastic, transparent material, a plurality of layers of high performance material, said layers being bonded together to form a laminate, and securing means for securing said laminate to said layer of plastic transparent material.

According to another aspect of the present invention, there is provided a visor for a helmet comprising a layer of plastic transparent material, a plurality of layers of high performance material, said layers being bonded together to form a laminate and securing means for

securing said laminate to a portion of the surface of said plastic transparent material.

According to another aspect of the present invention, there is provided a process for forming protective armour comprising the steps of providing a layer  
5 of plastic transparent material, forming a laminate comprising a plurality of layers of high performance material and securing said laminate to said layer of plastic transparent material.

10 According to another aspect of the present invention, there is provided a helmet comprising a shell, a strap guide mounted on each side of the helmet in a position for supporting a strap for passing under the chin of a  
15 wearer, when in use, a strap which passes through and between each strap guide such that the portion of said strap between said strap guides form a chin strap, a support member coupled to the rear of said shell to allow relative  
20 movement between said support member and said shell and for engaging a portion of the head or neck of a wearer, when in use, said strap extending from each strap guide to said support member, and a pull member extending from a position  
25 between said support member and said strap guides and which is arranged to cause the length of said strap extending from said support member through said strap guides to shorten when said pull member is pulled.

According to another aspect of the present invention, there is provided a retention system for a helmet comprising first and second strap guides for mounting on  
30 each side of the helmet in a position for supporting a strap for passing under the chin of a wearer, when in use, a strap which passes through and between each strap guide, the portion of said strap between said strap guides forming a

chin strap, a support member for movably coupling to the rear of said helmet for engaging a portion of the head or neck of a wearer when in use, said strap extending from each strap guide to said support member, and pull members  
5 extending from said support member and which are arranged to cause the length of said strap extending from said support member through said strap guides to shorten when said pull members are pulled.

According to another aspect of the present  
10 invention, there is provided a helmet comprising a shell, an electrically powered system for assisting a wearer, and a power controller for controlling the power delivered to said system, wherein said power controller is releasably mounted to said shell.

15 According to another aspect of the present invention, there is provided a helmet comprising a shell, a visor having a moisture reducing treatment on the surface thereof facing the interior of the shell, and electrically powered means for providing ventilation air to the interior  
20 of said helmet, said electrically powered means being mounted to said helmet.

According to another aspect of the present invention, there is provided a control unit for controlling an electrically powered system for a helmet, the control  
25 unit having securing means for releasably securing the control unit to a helmet.

#### Brief Description of the Drawings

Examples of embodiments of the present invention will now be described with reference to the drawings, in  
30 which:

Figure 1 shows a perspective view of a helmet according to an embodiment of the invention;

Figure 2A shows a perspective view of a first visor for use with the helmet of Figure 1, according to an embodiment of the invention;

Figure 2B shows a front view of the visor of Figure 2A;

Figure 2C shows a cross-sectional view of the visor of Figure 2A along the line A-A;

10 Figure 3A shows a perspective view of a second visor for use with the helmet of Figure 1, according to an embodiment of the invention;

Figure 3B shows a front view of the visor of Figure 3A;

15 Figure 3C shows a cross-sectional view of the visor of Figure 3A along the line A-A;

Figure 4A shows a perspective view of the helmet of Figure 1, with the visor of Figures 2A to 2C mounted thereto in a first orientation of the visor;

20 Figure 4B shows a side view of the configuration shown in Figure 4A;

Figure 5 shows a perspective view of the helmet of Figure 1, with the visor of Figures 2A to 2C mounted thereto in a second orientation of the visor;

25 Figure 6 shows a perspective view of the helmet of Figure 1, with the visor of Figures 2A to 2C mounted thereto, and fully locked in the lowered position;

Figure 7 shows an exploded view of the visor mounting arrangement used for the helmet of Figure 1, according to an embodiment of the present invention;

Figure 8 shows a view of a protective armour construction according to an embodiment of the invention;

Figure 9 shows a part cross-sectional view of a visor according to an embodiment of the invention;

Figure 10 shows a schematic rear view of the visor shown in Figure 9;

Figure 11 shows a part cross-sectional side view through a visor according to an embodiment of the invention;

Figure 12 shows a perspective view of the visor shown in Figure 11;

Figures 13A to 13C show a head protection system according to an embodiment of the invention, in which Figure 13A shows a perspective view of a helmet with EOD visor, Figure 13B shows a perspective view of a recognisance visor, and Figure 13C shows a perspective view of a CBRN visor;

Figure 14A shows a side view of a helmet and visor mounting system according to an embodiment of the invention;

Figure 14B shows a side view of a wing or side portion of a visor for connection with the helmet of Figure 14A;

Figure 14C shows a cross-sectional view through the mounting system of Figure 14A;

Figure 14D shows a side view of a the visor mounting system shown in Figure 14C;

Figure 14E shows an exploded view of the mounting bracket shown in Figures 14D and 14E;

Figures 15A to 15F show various views of a protective helmet according to an embodiment of the present invention, with an EOD visor;

Figure 16 shows various perspective views of a helmet according to another embodiment of the present invention, including a search visor;

Figures 17A to 17D show various views of a helmet according to another embodiment of the present invention having a CBN visor;

Figures 18A to 18D show various views through a helmet according to an embodiment of the present invention;

Figure 19 shows a cross sectional view through a visor mounting system according to an embodiment of the present invention;

Figure 20 shows a side view of a helmet having a mounting system as shown in Figure 19;

Figure 21A shows a side view of a helmet according to an embodiment of the present invention;

Figure 21B shows an enlarged view of a locking mechanism of the embodiment shown in Figure 21A;

Figure 21C shows a cross sectional view through a locking mechanism of Figure 21B;

Figures 22A to 22D show various views of a locking system according to another embodiment of the present invention;

Figures 23A to 23E show various views of a helmet retention system according to an embodiment of the present invention;

Figures 24A and 24B show a helmet retention system  
5 according to another embodiment of the present invention;

Figure 24C shows a perspective view of a chin cup according to an embodiment of the present invention;

Figures 25A to 25E show perspective views of a comfort liner according to embodiment of the present  
10 invention;

Figures 26 to 30 show various views of a helmet having a control module according to another embodiment of the present invention;

Figure 31 shows a schematic diagram of a control  
15 module and remote controller according to an embodiment of the present invention;

Figure 32 shows a schematic diagram of a circuit for a remote controller according to an embodiment of the present invention;

20 Figures 33A and 33B show a remote controller according to an embodiment of the present invention;

Figure 34 shows a mounting arrangement for a remote controller according to another embodiment of the present invention;

25 Figure 35A shows a control interface for a helmet mounted controller according to an embodiment of the present invention;

Figure 35B shows a user interface for a remote controller according to an embodiment of the present invention;

Figure 35C shows a remote controller according to  
5 another embodiment of the present invention; and

Figure 35D shows an electrically operated module for a protective helmet according to another embodiment of the present invention.

#### Description of Embodiments

10           Figures 1 to 7 show a reconfigurable, multifunctional head protection system according to a first embodiment of the present invention, comprising a helmet, a first visor for protection against explosions, a second visor for use with a face-mounted respirator, and a mounting  
15 arrangement for releasable mounting either of the two visors to the helmet.

Referring to Figure 1, the helmet 2 comprises a helmet shell 4, a visor mounting arrangement 5 disposed on each side of the shell (only one side shown), a helmet  
20 retention system 7 for securing the helmet to the head of a wearer, and a controller 9 at the back of the shell for controlling various devices associated with the helmet. Embodiments of the retention system and the controller will be described in more detail below.

25           The helmet shell is of the open-face type and constructed of a high impact resistant material to withstand explosive forces. For example, the shell may be formed of a composite material comprising bonded layers of ballistic resistant material or fabric, such as Kevlar, Dyneema, or  
30 other high performance, high tensile strength material.

Figures 2A to 2C show a visor 6, which can be releasably mounted to the helmet, and whose primary purpose is to provide protection against explosions. This visor has particular application to bomb disposal, mine sweeping and similar hazardous activities. Figures 3A to 3C show a visor 106, which can also be releasably mounted to the helmet, and which offers both protection and is capable of accommodating a face-mounted respirator. This visor has particular application to activities in environments which may or have been contaminated, for example, by chemical, biological or nuclear agents.

The different visors capable of use with the same helmet shell considerably increase the versatility of the helmet over known helmets with dedicated fixed visors designed only for a single specific function. Advantageously, the visor mounting system allows each visor to be easily and quickly removed and replaced with another during operations, and without the need to remove the helmet from the wearer. The head protection system will now be described in more detail.

Figures 4A and 4B show the first visor 6 mounted to the shell 4. The mounting system 5 includes a boss 8 extending outwardly from each side of the helmet. The visor has a curved front portion 11 and opposed side portions 12, 13 each having a circular aperture 10 in which a respective boss is received for pivotally mounting the visor to the helmet so that the visor can be moved between raised and lowered positions.

A first slot 14 having a rearward facing opening 16 and a second slot 18 having a downward facing opening 20 are also formed in the side portion 12 of the

visor for enabling the visor to be locked in either a raised or lowered position.

A visor locking system 24 is mounted on the helmet and includes a depressible locking member 22 and a push button 26 coupled to and extending outwardly from a lower end of the locking member 22. The locking member 22 is biased (by any suitable means) towards an outwardly extending position in which it can pass through one of the first and second slots 16, 18 to lock the visor 6 in a raised or lower position by presenting a locking or abutment surface to an edge of the slot. Depressing the push button 26 causes the locking member 22 to move inwardly against the bias beyond the inside face of the side portion 12 of the visor, thereby unlocking the visor and allowing it to be raised or lowered. When the visor is between the raised and lowered positions, the push button may conveniently be released as it will be held in its depressed position by the overlapping portion 15 of the visor and the locking member will automatically return to lock the visor on reregistering with a slot. It is to be noted that the radial distance between the pivotal axis 32 and the lower edge 34 of the side portion 12 of the face shield is less than the distance between the pivotal axis 32 and the upper edge 36 of the push button 26 so that the push button does not interfere with the lower edge 34 when the face shield is raised. This allows the push button to extend outwardly beyond the locking member 22 to make it more accessible.

As shown particularly in Figure 4B, a stop member 38 is positioned in front of the locking member 22 and extends from the helmet shell 4. The stop member 38 provides an abutment surface 40 for engaging the front edge 42 of the second slot 18 when the visor 6 is in the

lowered position to prevent further downward movement of the visor 6 about the pivotal axis 32. Advantageously, the stop member also provides a robust means of preventing rearward movement of the visor towards a wearer (i.e. towards the rear of the helmet) to resist high impact forces towards the front of the shield, for example from an explosion. The stop member also isolates the locking member from engagement with the front edge 42 of the second slot 18 to reduce the risk of damage to the locking member when the face shield is subjected to frontal high impact forces, so that the locking mechanism may remain operable after a high impact to release the face shield and to allow it to be raised. The stop member may be at least partially resilient to absorb mechanical shock and reduce the transmission of impact forces from the visor to the helmet, and may reduce injury and the risk of concussion.

The helmet further comprises a releasable visor retention system which enables the visor to be easily and quickly removed from the helmet, and optionally replaced by another visor of the same or different type. The visor retainer comprises a lock cover plate 44 having a lower end 46 which is pivotally mounted below the push button 26, and an upper end 48 carrying a fastener 50 which fastens the cover plate to the boss 8 via a hole 52 formed therein. A slot 53 is formed in the cover plate to accommodate the push button 26.

To release the visor from the helmet shell, the fastener 50 is disconnected from the boss and the cover plate swung forward, as shown in Figure 4A, to allow the side portion 12 of the visor to be pulled outwardly and over the boss 8. Thereafter, the visor is simply lifted away from the helmet between the helmet and cover plate. The

reverse procedure is employed to reconnect the visor to the helmet or to connect another visor to the helmet.

Figure 4A shows how the visor 6 is connected or disconnected to the helmet in the lowered position. Figure 5 shows the visor in the locked, raised position, with the locking member disposed within the rear visor slot 14. The visor can also be connected or disconnected from the helmet in the raised position by spreading apart the side portions 12, 13 of the visor and lifting the visor up over the boss and away from the helmet. The reverse procedure may be employed to mount a visor to the helmet. Figure 6 shows a visor fully and securely mounted to the helmet with the cover plate 44 swung back and fastened to the boss 8 to prevent the visor sliding over the boss. In this position, the cover plate also covers the stop member and a portion of the visor near the stop member when the visor is in its lowered position to prevent possible spreading and lifting of this portion of the visor over the ends of the stop member, which would otherwise result in the visor moving towards the face of a wearer in the event of a high impact force towards the front of visor. The cover plate may also cover components of the locking system.

The visor retaining system is shown in more detail in Figure 7. Referring to Figure 7, the retaining system comprises a mounting plate or bracket 54 which is mounted to the helmet shell and carries the boss 8, the locking member and push button 22, 26, the stop member 38, the cover plate 44, and the fastener 50. The mounting plate 54 includes an apertured housing 56 for receiving and retaining the locking member and push button 22, 26. In assembling the retainer system, the locking member and push button are inserted into the housing 56 from the back 58 of the mounting bracket 54. A resilient bias 60 which may comprise

a spring is positioned in the housing to bias the locking member and push button outwardly towards the front 62 of the mounting plate. However, the locking member is retained with the housing by means of a tab, lug or protrusion 64 which engages a wall of the housing 56 to prevent further outward movement thereof. (A tab may also be provided at the other end 27 of the locking member).

The stop member 38 comprises a protrusion 66 which extends from the front face 62 of the mounting bracket 54 and may be integrally formed therewith, and a resilient member 68, which is mounted in front of the protrusion 66.

The cover plate 44 is pivotally mounted at its lower end by means of a screw 70 which passes through a through-hole 72 in the cover plate and into a threaded hole 74 in the mounting plate. Other techniques to pivotally mount the cover plate to the mounting plate will be apparent to those skilled in the art.

The fastener 50 comprises a screw having a head 76, a shaft 78 which passes through an aperture 80 formed in the upper part of the cover plate 44 and a flange 82 which retains the fastener on the cover plate.

In this embodiment, the mounting bracket is arranged to accommodate a microphone 84 and an audio jack 86. An apertured protrusion 88 extends from the main body of the mounting bracket 54 for receiving and retaining the microphone 84 which is retained within the aperture by means of a resilient (e.g. rubber) grommet 90 which is positioned between the microphone and the protrusion 88 and assists in isolating the microphone from any mechanical vibration transmitted through the mounting plate. The microphone and audio jack are both optional and one or both may be omitted in other embodiments or mounted elsewhere.

Visor Construction

Figures 2A to 2C show an example of an EOD visor according to an embodiment of the present invention, which can be releasably connected to a protective helmet. The visor 6 comprises a substrate layer 108 comprising a transparent material such as polycarbonate which forms both the curved front portion 11 and the side portions 12, 13 of the visor. The visor further comprises a backing layer 130 positioned behind and adjacent to the substrate layer 108 and which extends around the front portion 11 of the visor and terminates at a rear edge 132 between the front and back of the visor so that it does not extend to the side portions 112, 114. (However, in other embodiments, the backing layer may extend to any other position, and may extend to overlap the side portions or wings of the visor. The backing layer, which may be bonded to the substrate layer, comprises a plurality of layers of ballistic resistant material bonded together to form a composite, and is therefore generally opaque. The backing layer defines an opening 134 at the front of the visor to allow light to pass therethrough. The visor also includes an outer layer 136 positioned adjacent the outer surface of the substrate layer 108 and whose perimeter 138 is generally sized and shaped to at least cover the area of the opening 134. In this embodiment, the perimeter of the outer layer overlaps a marginal band 131 around the opening. The outer layer, which may be secured to the substrate and/or backing layer by any suitable means, such as mechanical fasteners (e.g. rivets 133, 135), may comprise a transparent material, such as acrylic (or possibly polycarbonate). However, acrylic is preferred as it is capable of dissipating high energy impacts faster than polycarbonate and is therefore more resistant to shattering.

An aperture 10, 9 is formed in each of the side portions of the visor 12, 14 to enable the visor to be pivotally mounted on bosses extending from opposite sides of a helmet shell, as shown in Figures 1, 4A and 4B. A first slot 14 having a rear opening 16 and a second slot 18 having a lower opening 20 are formed in one of the side portions 12 and a slot generally corresponding to the first slot is formed in the other side portion 13. However, in this embodiment, the other side portion 13 does not have a lower slot corresponding to the second slot 18. As described above in connection with Figures 4A and 4B, the first and second slots co-operate with a locking mechanism on the helmet to lock the visor in the raised and lowered positions, respectively.

In this embodiment, a wiper 148 is mounted along the upper edge 150 of the visor for engaging the helmet shell at least in the lowered position to form a seal therewith, and thereby prevent moisture such as rain passing between the helmet and the visor. The wiper comprises a flexible material and includes an edge portion 152, which seals with the helmet, and a less flexible mounting portion 154 whose inner surface may be provided with ribs 156 to increase its rigidity.

One or more search lights 158, 160 may be mounted on the upper edge 150 of the visor, and in this embodiment, the search lights are conveniently mounted in housings 162, 164 which are integrally formed with the wiper, although in other embodiments, the search lights may be mounted in housings which are separate from the wiper. In this embodiment, two search lights are provided which are spaced equally either side of a centre line 166 and at a position which approximately corresponds to the position of a wearer's eyes. The search lights may comprise light

emitting diodes which are capable of efficiently generating high intensity light. The beam of the light sources may converge and meet at a predetermined distance in front of the visor to produce a required beam shape and size, and the direction of the beams and therefore their angle of convergence may be adjustable.

Figures 3A to 3C show another embodiment of a visor which can be coupled to the same helmet as the visor shown in Figures 2A to 2C using the same coupling mechanism but which has a different purpose in that the visor shown in Figures 6A to 6C is shaped and sized to accommodate a face-mounted breathing apparatus or respirator (e.g. oxygen mask). In many respects, the visor shown in Figures 3A to 3C is similar to that shown in Figures 2A to 2C and like parts are designated by the same reference numerals.

The visor 100 comprises a curved front portion 111 and side portions 12, 13 each of which has an aperture 10, 9 formed therein for receiving a respective boss extending from either side of the helmet to enable the visor to be pivotally mounted on the helmet. Rear and downward facing slots 14, 18 are also formed in one side portion 12 which co-operate with the same helmet-mounted locking mechanism in the same way as the slots 14, 18 of the visor shown in Figures 2A to 2C. A rear facing slot 14 may also be formed in the other side portion 13 of the visor or may be omitted altogether.

The visor comprises a substrate layer 108 which forms both the curved front portion of the visor and the side portions, and comprises a transparent material such as polycarbonate. A reinforcing backing layer 130 which may be formed of multiple layers of bonded ballistic resistant material, such as Kevlar or Dyneema, is positioned behind

and adjacent the substrate layer and extends over the front portion of the visor terminating at a rear edge 132 positioned in front of the aperture and slots in the side portions which co-operate with the visor retaining and locking mechanism. The backing layer defines an opening 134 in the front of the visor to allow light to pass therethrough.

The visor also includes an outer layer 136 formed of a transparent material which is sized to substantially cover the area of the opening 134 and serves to reinforce the transparent viewing area of the visor. As for the embodiment shown in Figures 2A to 2C, the outer layer may be formed of an acrylic material to withstand high energy frontal impacts. A wiper 148 may be provided along the upper edge of the visor and may include one or more search lights 158, 160. Conveniently, the wiper may be the same as that shown in Figures 2A to 2C.

The main difference between the visor shown in Figures 3A to 3C and that shown in Figures 2A to 2C is that in Figures 2A to 2C, the front portion of the visor slopes outwardly (i.e. from the front) from the top to the bottom as can be seen by the difference in the angle alpha between the top edge of the visor and the substrate layer 208. The lower portion of the front of the visor below the lower edge 160 of the opening is longer and less curved than that of the visor shown in Figures 2A to 2C. This lower frontal extension of the front of the visor is designed to increase the internal space within the visor to accommodate a face-mounted respirator (and preferably a range of different types of respirators) so that the helmet can be used in situations where a respirator is necessary or desirable.

As mentioned above, the head protection system allows visors having a various different shapes or other features which are designed for different functions to be used with the same helmet, so that separate helmets are not required. The protection system also allows the visors to be readily removed from the helmet and replaced by another so that they can be quickly and easily changed during operations without the need to remove the helmet. This allows personnel to quickly respond to changes in the type of prevailing threat and maximize their protection against the particular threat by adapting the helmet system to the appropriate configuration.

The construction of the visors described above, comprising a layer of transparent plastic material such as polycarbonate, and a backing layer formed of high performance material has particular benefits over known protective constructions and may also be used in protective armour other than visors. Examples of embodiments of this construction and their particular benefits are described below.

#### Protective Armour

Figure 8 shows a protective armour construction according to an embodiment of the present invention, and which may be used, for example, in the construction of a visor for a helmet. Referring to Figure 8, the protective armour 101 comprises a first substrate 103 comprising a transparent plastic material, and a second substrate 105 comprising a plurality of layers 107 of high performance material which are laminated together. Each layer of high performance material may comprise a material having a high tensile strength transverse to its thickness,  $t$ , examples of which may include but are not limited to a high performance

fabric, either woven or non-woven, for example Spectra®, Dyneema®, Kevlar®, as well as others. Each layer 107 may comprise a composite of high performance material and thermo-plastic or thermo-set resin. The second substrate or laminate 105 may be formed by applying at least one of pressure and heat to the plurality of layers when in contact with one another to cause the thermo-plastic resin in each layer to bond with an adjacent layer.

The second substrate 105 is secured to the first substrate 103 by any suitable means, for example, by adhesive or by one or more mechanical elements or agents, such as bolts, rivets, screws or other mechanical means.

In one embodiment, the second substrate may be secured to the first substrate by means of urethane. The inventors have found that urethane can provide an exceptionally strong and uniform bond between the laminate and transparent plastic substrate 103. The bonding process may be performed by placing a sheet or layer of urethane between the first and second substrates and applying heat to the urethane sheet, for example, sufficient to cause melting of the urethane sheet. Advantageously, the melting point of urethane is relatively low and will generally be below that of the first and second substrates. Pressure may also be applied between the first and second substrates to maintain the urethane sheet in intimate contact therewith during the bonding process.

The first substrate may comprise polycarbonate or acrylic or another similar material. In other embodiments, any other suitable adhesive may be used to bond the first and second substrates together and which may or may not be provided in sheet form.

The combination of a transparent plastic material and laminate provides a protective construction which can be thinner than a construction formed of layers of transparent plastic material alone, (e.g. acrylic or polycarbonate) and yet provide a similar level of protection.

Figures 9 to 12 show various views of a visor for a helmet which employs in its construction an embodiment of the protective armour described above.

Referring to Figures 9 to 12, the visor 201 comprises a substrate 203 formed of a plastic transparent material, for example, polycarbonate, and a second substrate 205 comprising a plurality of layers of high performance composite material. As shown in Figures 10 to 12, the second substrate 205, which is generally opaque, is secured over a portion of the first substrate 203, and in the present embodiment defines a window 209 for permitting light to pass therethrough.

The visor also includes a further substrate 211 positioned over the front surface of the first substrate 203. The additional substrate 211 comprises a transparent material and may, for example, comprise acrylic or polycarbonate. The additional substrate may be secured to the first and/or second substrates using any suitable means, for example, rivets 213, 215 or other mechanical means, or by adhesive. A spacer 217 may be provided between the first and additional substrates 203, 211 to prevent direct contact between them.

In a specific embodiment, the first substrate 203 comprises polycarbonate and the additional substrate 211 comprises acrylic. The additional substrate 211 extends over a limited portion of the first substrate 203, and in particular over an area opposite the viewing window 209, and

5 serves to enhance the level of protection of the transparent area of the visor. In particular, acrylic, which is harder than polycarbonate, presents a hard strike face to explosive fragments, causing the fragments to slow rapidly and break  
10 into smaller parts. The use of the combination of a layer of polycarbonate and laminate of high performance material allows the amount of acrylic, which is heavier than polycarbonate, used in the construction of the visor, to be considerably reduced, and in particular eliminates the need  
15 to use acrylic over the entire exterior surface or strike face of the visor. In the present embodiment, the use of acrylic is limited substantially to the transparent area of the visor resulting in a lighter construction. At the same time, the combination of a layer of polycarbonate (or other  
20 transparent plastic material) and a laminate of high performance material allows the thickness of the visor construction to be reduced, which in turn allows the forward extension of the visor also to be reduced. This assists in moving the center of gravity of the helmet rearwards for better balance.

Although in the embodiment shown in Figures 9 to 12, the second substrate 205 is placed behind the first substrate, in other embodiments, this order may be reversed so that the second substrate is placed in front of the first  
25 substrate.

Advantageously, embodiments of the visor whose construction employs the first and second substrate combination described herein significantly reduces the weight of the visor in comparison to known visor  
30 constructions, thereby resulting in a lighter helmet, reduced weight towards the front of the helmet for improved balance and a reduced moment about the center of the helmet which tends to tilt the helmet forward.

The protective armour construction described and defined herein may be used in the construction of protective armour for protecting any other part of the body.

#### Further Embodiments of a Multi-functional Head Protector

5

As described above, in embodiments of the present invention, the head protector may include a helmet adapted for use with a number of interchangeable visors, each having a different function to increase the versatility of the system, and reduce costs by requiring only a single helmet. In another embodiment, the visors may include one of the types described above for protection against explosive ordinance, a second visor having a relatively large transparent area for search and recognisance and a third visor adapted to accommodate a respirator for use against chemical, biological or nuclear threats. An example of these visors are shown in Figures 13A, 13B and 13C.

Figure 13A shows an EOD visor mounted to the helmet, Figure 13B shows a search and recognisance visor for mounting to the helmet and Figure 13C shows an CBRN visor for mounting to the helmet. The EOD visor may be similar to that described above. The search visor 509 has a relatively large transparent area (e.g. of polycarbonate) to provide the user with a large field of view. In one embodiment, at least one of the visors includes a light source 511 which may be mounted on or adjacent the upper edge thereof (or at any other suitable location on the visor) to allow the wearer to search in dark or poor light conditions without the need for a hand-held flashlight. An example of a light source is described below.

The CBRN visor 515 includes a transparent screen 517 and a shaped protective portion 519 below the screen for accommodating a respirator (i.e. gas mask). The transparent

screen 517 may comprise any suitable material, including polycarbonate and/or acrylic, and in one embodiment, the lower portion 519 comprises a laminate formed of ballistic resistant fabric. Advantageously, this allows the lower protective portion to be formed into any desired shape including relatively angular shapes which would be more difficult to form using a single layer of polycarbonate or acrylic.

In the present embodiment, the visor includes a substrate 521 formed of polycarbonate towards the inside of the visor and which accommodates the coupling for coupling to the helmet and the transparent screen 517. The visor includes a second substrate formed of laminated ballistic resistant fabric secured to the first substrate and which forms a frame around the transparent screen and includes the respirator housing 519. A further layer of transparent material, for example acrylic or polycarbonate is placed over the transparent screen formed by the first substrate for additional protection. In one embodiment, the respirator housing is sized and shaped so as to accommodate a wide variety of different respirators. Each visor may be mountable to the helmet using the same coupling mechanism. The coupling mechanism may be adapted to allow the interchangeable visors to be manually releasable and preferably by a mechanism which is both accessible and operable externally of the helmet so that visors can be removed and replaced while the helmet is being worn. In one embodiment, the mechanism may allow the visor to be removed by a simple sliding action and automatically retained on the helmet when the visor is rotated relative to the helmet to a position of use. An example of a coupling mechanism will now be described with reference to Figures 14A to 14E

#### Visor Coupling

Figures 14A to 14E show another embodiment of a visor coupling for releasably connecting a visor to a helmet. The coupling comprises a mounting plate 551 connected to the side of a helmet shell 553 by any suitable means, and having a boss 555 extending therefrom for 5 pivotally mounting a visor about an axis 557. A resilient member 559 may be provided about at least a portion of the boss 555 to allow a degree of radial movement between the visor and the boss for impact absorption between the visor and helmet. The mounting plate further includes first and 10 second protrusions (or lugs) 563, 565 extending therefrom positioned either side of the boss 555. The coupling further includes an outer plate 567 spaced from the mounting plate 551 to form a gap 569 therebetween for receiving a 15 portion of the visor. Alternatively or in addition, lugs may extend from the outer plate 567.

The coupling further includes an open ended slot 571 formed in the side portion 573 of the visor and which terminates at a bearing edge 575 which bears against the 20 resilient portion 559 of the boss 555 when the side portion 573 of the visor is inserted into the gap 569 between the mounting plate 551 and the outer plate 567.

The coupling further includes second and third slots 577, 579 formed in the side portion 573 of the visor 25 for receiving the first and second protrusions 563, 565 and which together retain the visor on the helmet as the visor is rotated relative to the helmet about the axis 557.

To mount the visor to the helmet, the visor is oriented and positioned above the helmet so that the open 30 ended slot 571 is aligned with the first and second protrusions 563, 565 and the boss 555, as shown in Figure 14A. The visor is then lowered into the gap 569

between the mounting 551 and the outer plate 567 in the direction of arrow A (Figure 14A) so that the protrusions 563, 565 and the boss pass through the open ended slot 571 until the bearing edge 575 engages the resilient portion of the boss 559. The visor may then be rotated forward as indicated by arrow B (Figure 14A) into an operable position. Forward rotation of the visor causes the first and second protrusions to pass into and travel in the second and third slots 577, 575 to retain the visor on the helmet.

10           A locking mechanism (for example as described below and shown in Figures 20A to 20D?) may be provided so that the visor can be locked in both an open position above the helmet and in a lowered position. As the visor is rotated from its lowered position to its raised position, 15 the locking mechanism may be arranged to automatically lock the visor in its raised position and this locked, raised position may advantageously be forward of the position at which the slot is oriented such that the visor can be lifted and disconnected from the helmet. In this case, to remove 20 the visor from the helmet, the visor has to be rotated rearwardly of its locked raised position.

In other embodiments, the visor retention means may comprise any other suitable mechanism and in one embodiment, the protrusions may be removed and the retention 25 means may be provided by the boss having a specially shaped surface which can pass through the slot in one orientation but not in other orientations so that the visor is rotatably retained on the helmet.

In other embodiments, the retention means may 30 comprise only one, or more than two protrusions and these may either be provided on the mounting plate or on the interior side of the outer plate.

A similar coupling mechanism may be provided on both sides of the visor and helmet, and a locking mechanism may be provided on only one side or on both sides.

Figure 15A shows perspective views of an embodiment of a head protector adapted as an EOD helmet with the EOD visor in various positions, Figure 15B shows a front view of the EOD helmet shown in Figure 15A, Figure 15C shows a side view thereof, Figure 15D shows a top view thereof, Figure 15E shows a back view thereof; and Figure 15F shows a view from below the helmet shown in Figure 15A.

Figure 16 shows perspective views of the head protector adapted as a search helmet with the search visor in various positions. In this embodiment, the helmet portion may be the same as that shown in Figures 13A to 15F and the function of the helmet has changed simply by exchanging the EOD visor for the search visor.

Figure 17A shows perspective views of a head protector adapted as CBRN helmet with the CBRN visor in various positions, Figure 17B shows a front view of the helmet shown in Figure 17A, Figure 17C shows a side view thereof, and Figure 17D shows a back view thereof. In this embodiment, the helmet portion of the head protector may be the same as that shown in Figure 15A and the function of the helmet may be changed by simply exchanging the EOD or search visor for the CBRN visor to accommodate a respiratory mask.

Figures 18A shows a part cross-sectional view through an embodiment of a helmet towards the rear thereof, and Figure 18B shows a part cross-sectional view through the helmet towards the rear thereof, Figure 18C shows a perspective cross-sectional view through a front portion of the helmet and Figure 18D shows a cross-sectional side view through the helmet.

Impact Absorbing Mounting

Figures 19 and 20 show a helmet having a visor mounting system according to another embodiment of the present invention. In particular, Figure 19 shows a cross-sectional view through a portion of the helmet and Figure 20 shows a side view of the helmet.

Referring to Figures 19 and 20, a helmet 1 comprises a shell 3 and a shield 5, which in this embodiment comprises a visor disposed towards the front of the helmet (although in other embodiments, the shield member may comprise any other member for providing additional protection at another position about a wearer's head). The helmet further includes a coupler 7 for coupling the visor 5 to the shell 3 and which permits movement of the visor relative to the shell. A shock absorption member 9 is coupled to the coupler 7 and arranged to permit movement of the visor 5 relative to the shell 3 independently of the coupler 7.

In this particular embodiment, the coupler 7 comprises a pin or bolt for pivotally coupling the visor to the shell and the shock absorption member 9 comprises a bush of resilient material at least partially surrounding the coupler 7. A mounting block 11 is positioned between the exterior of the shell 3 and the visor 5 and has a receptacle 13 in which the resilient bushing 9 is accommodated. The receptacle may extend from one side of the mounting to the other, as shown in Figure 19, or may extend partially through the mounting block. In this embodiment, the pin 7 is advantageously used also as a securing means for securing the mounting block 11 to the shell, and passes through an aperture 15 formed in the shell. The pin has an enlarged portion 17 positioned on the interior side of the shell

which prevents the pin from being drawn through the aperture 15. The other end 19 of the pin includes a threaded portion 21 for receiving a nut 23 to secure the mounting and visor assembly to the shell.

5           In this embodiment, and as shown in particular in Figure 20, the shock absorption member 9 is arranged to permit movement of the visor 5 in a direction towards the interior of the helmet or towards the rear of the helmet as indicated by the arrows 25, 27 in Figure 20. In this  
10 embodiment, the shock absorption member 9 also allows movement of the visor in all directions transverse to the pivot axis 29, shown in Figure 19 as it completely surrounds the pin. However, in other embodiment, the shock absorbing mounting may limit relative movement between the visor and  
15 shell to one direction or a limited range of directions.

Advantageously, the shock absorbing mounting system provides some mechanical decoupling of the visor or other shield member from the helmet shell, thereby reducing transmission of shock or transient forces from the visor or  
20 shield member to the shell. This may be advantageous in reducing rearward acceleration of the shell and therefore of the head of the helmet user when exposed to shock waves from a blast or explosion to the front of the helmet, and to reduce the risk of head trauma or concussion.

25           In other embodiments, the mounting block 11 may be omitted and the visor connected to the shell via a coupling and impact absorbing arrangement which is disposed either between the coupling and the shell or the coupling and the visor.

30           In another embodiment, a shock absorption arrangement, for example, a resilient member may be placed between the pin or bolt 7 and the visor 5, for example so

that the shock absorption system is carried on the visor, rather than or in addition to a mounting block and/or the shell.

Generally, the shock absorption means serves to  
5 allow movement of the visor relative to the shell and limits the rate of relative movement or displacement, and may comprise any suitable element or arrangement of elements.

In another embodiment, the visor or other shield member may be slidably mounted to the helmet shell and a  
10 shock absorption element or system may be arranged between the slidable mounting and the shell and/or between the visor and the slidable mounting.

Embodiments of this mounting system may be used in any head protection system described herein.

#### 15 Locking Mechanism

Further embodiments of a visor locking mechanism are described below with reference to Figures 21A to 21C and 22A to 22D.

Figure 21A shows a helmet according to another  
20 embodiment of the present invention. The helmet 31 comprises a shell 33 and a visor 35 which is pivotally coupled to the shell by means of a hinge or pivot 37 to allow the visor to be raised and lowered. A locking mechanism 39 is provided to enable the visor to be locked in  
25 at least one of the lowered position and the raised position. An embodiment of a locking system is shown in more detail in Figures 21B and 21C. The locking system 39 comprises a rotary cam 41 which is rotatably mounted to the shell 31, and a manually accessible knob 43, which allows  
30 the cam 41 to be rotated by hand. In this embodiment, a cam

mounting block 45 is provided for mounting the cam 41 to the helmet shell and which may include any suitable arrangement for rotatably supporting and retaining the cam. The visor 35 has first and second apertures 49, 51 formed therein, each having an opening 53, 55 formed in the side of the aperture to allow the cam 41 to be received within the aperture. The apertures 49, 51 are shaped and sized to allow the cam 41 to rotate within the aperture to a position which prevents movement of the cam from the aperture through the opening, thereby locking the visor in a fixed position with respect to the helmet shell.

In this particular embodiment, the cam comprises an elongate member whose width is sufficiently small to allow the cam to pass through the opening into the aperture. In other embodiments, the cam may have any other suitable form and may, for example, comprise a discrete protrusion which is spaced radially (i.e. positioned eccentrically) with respect to the cam axis 57.

Advantageously, the provision of a cam locking system allows the visor to be locked and unlocked quickly (i.e. by requiring only a fraction of a revolution thereof between locking and unlocking) in comparison to other locking mechanisms which require multiple rotations of a locking screw. Advantageously, the cam system also allows the width or profile "w" of the mounting block to be considerably reduced in comparison to locking mechanisms which use a screw-down system, where the mounting block needs to be sufficiently deep to accommodate additional thread to allow the screw lock to fully clear the visor.

Figures 22A to 22D show another embodiment of a locking mechanism for locking a visor to a helmet shell. In particular, Figure 22A shows a top view of the locking

system, Figure 22B shows a plan view of the locking system, Figure 22C shows a cross-section through the locking system and Figure 22D shows a perspective view of the locking system. The locking system shown in Figures 22A to 22D may be incorporated in any helmet disclosed herein, as well as others, and may for example replace the locking mechanism described above with reference to Figures 21A to 21C. Referring in particular to Figure 22C, the locking system 71 comprises a lock 73 for preventing movement of a visor relative to a helmet shell, and a manually accessible, depressible member 75 which is adapted to release the lock on depression thereof to release the visor from the locked position. In one embodiment, the locking system comprises a mounting block 77 which conveniently accommodates components of the lock assembly and has a mounting face 79 for mounting against a helmet shell (not shown). The mounting block includes a recess 81 for accommodating the lock 73. A bias 83 is provided for urging the lock 73 out of the recess 79 and which may comprise a bias spring located within the recess 81. The locking system further includes a mounting member 85 which is fixedly mounted to the mounting block 77 and has an aperture 86 formed therein for receiving the depressible member (e.g. button) 75. The mounting member 85 serves to retain the movable member or lock 73 at least partially within the recess 79 when the button is released and guides reciprocal movement of the button 75 and the lock 73. In use, a visor 35 is positioned between the mounting member 85 and the mounting block 77 and has at least one aperture formed therein, for example, aperture 227, 229 of embodiments of the visor shown in Figures 11 and 12, and which correspond to the positions in which the visor is to be locked. The apertures include an opening 231, 233 (Figures 11 and 12) in the side thereof which is sufficiently large to accommodate the diameter of the button

shaft 87 but which is smaller than the diameter or width of the locking member 73.

In operation, depression of the button 75 moves the locking member 73 into the recess 81, allowing the button shaft 87 to pass through the opening of the visor aperture (Figure 11 and 12), thereby releasing the visor from the locked position so that the visor can be raised or lowered, as required. Once the visor assumes a position in which the visor can be locked with respect to the shell, release of the button allows the locking member 73 to move into the visor aperture under the force of the biasing spring, thereby locking the visor in place. Advantageously, the visor may be arranged to engage the shoulder 89 of the locking member 73 once the locking member, in its retracted position, is no longer aligned with a visor aperture so that the button 75 remains depressed until the visor assumes a second locking position or re-assumes the original locking position in which a visor aperture becomes aligned with the locking member. This arrangement allows the visor to be moved into a locking position without the need to depress the button a second time or to continually depress the button when moving the visor from one locking position to another position.

Advantageously, the locking arrangements according to embodiments of the present invention allow the visor to be unlocked, moved and relocked with one hand, and reduce the width or profile of any mounting block that may be used.

In the embodiment of Figures 22A to 22D, the mounting block 77 also includes a mounting for pivotally mounting the visor to a helmet shell. Advantageously, the pivotal mounting may include shock absorption means between the mounting 77 and the visor 35 to reduce the transmission

of shock from the visor to the mounting and subsequently to the helmet shell, or vice versa, as for example, described above with reference to Figure 19 and 20.

In one embodiment, the mounting assembly may optionally include a clip 91 for holding a light source, e.g. a torch or flashlight (not shown) or other device such as a camera. A mounting 88, which may be similar to that shown in Figure 7 may be provided for a microphone.

#### Helmet Retention System

10            Figures 23A to 23E show examples of embodiments of a helmet retention system. Referring to Figures 23A to 23E, a helmet retention system 301 comprises first and second strap guides 303, 305 for mounting on each side of a helmet in a position for supporting a strap which passes under the chin of a wearer. The retention system includes a strap 307  
15            which passes through and between each strap guide 303, 305, the portion of the strap between the strap guides forming a chin strap 309. The retention system further includes a support member 311 for coupling to the rear of a helmet and  
20            for engaging a portion of the head or neck of a wearer, when in use. In this embodiment, the support member includes flexible members 313, 315 for movably coupling the support member 311 to a helmet. The strap 307 extends rearwardly towards the support member 311, and the retention system  
25            includes two pull members 317 (only one of which is shown in Figures 12 to 14) which extend from the support member 311 and which are arranged to cause the length of the strap 307 extending from the support member, 311 through the strap guides 303, 305 to shorten on pulling the pull members 317.  
30            A toggle 319 or other member or feature may be provided on one or both pull members to allow the pull members to be gripped more easily.

In the present embodiment, the pull members are part of the strap 307 and the retention system comprises additional strap guides 321 which are connected to the support member 311. Each strap guide 321 comprises a  
5 cylindrical guide member 323 and a bar member 325 extending from the cylindrical guide member and forming an aperture along its length. Each strap passes around the cylindrical member and through the aperture, thereby causing the strap to change direction and allowing the length of the strap  
10 which extends from the additional guides 321 and through the first and second guides 303, 305 to be shortened by pulling on the portion of the strap, which extends beyond the other side of the additional strap guides, in a direction towards the front of the retention system. In use, this single  
15 action both tightens the chin strap around the chin of the helmet wearer and tightens the support member against the back of the head or neck at the same time, considerably reducing the number of steps required to secure the helmet in position in comparison to other retention arrangements  
20 which require individual adjustment of the chin and nape supports.

Referring to Figures 23A to 23E, the bar member 325 is mounted on the cylindrical member in such a way that the spacing between the bar member and the cylindrical  
25 member closes on pulling the strap, thereby squeezing the strap between the bar member and the cylindrical member. On releasing the strap, friction between the strap and guide member prevents the strap slipping back through the guide member so that tension in the portion of the strap between  
30 the additional strap guides and the first and second strap guides 303, 305 can be maintained. The cylindrical member may have a high friction surface provided, for example, by

surface structure and in one embodiment, may have a knurled surface.

A release mechanism may be provided to unlock the strap guides 321. In this embodiment, the strap can be released by pulling on the bar member 325 to increase the gap between the bar member and guide member and unclamp the strap. A pull-tab 326 which extends from the bar member 325 may be provided to facilitate pulling on the bar member and releasing the strap. The pull-tab 326 may have a different shape or feature to the pull-member 317 to provide a tactile or visual difference between them so that a user can easily differentiate one from the other.

A connector may be provided for releasably connecting one portion of the strap to another portion of the strap and which is positioned within the length of the strap which extends from the support member through the strap guides 303, 305. In the embodiment shown in Figure 23A, a strap connector 327 is provided in the portion of the strap between the first and second strap guides 303, 305, and is positioned to one side, so that, in use, the connector is positioned to the side of the face, rather than under the chin. This positioning is possibly more convenient for both access and comfort. Advantageously, this embodiment thus provides two independent release mechanisms to allow a helmet to be removed. The connector 327 may comprise a quick release connector to facilitate removal of the helmet in an emergency, or simply for convenience. In the embodiment shown in Figure 23A, a chin pad 330 is provided for additional comfort. In this embodiment, the chin pad is sized to extend above the jaw and is positioned behind the connector 327 in order to prevent direct contact between the connector and the face, again for increased comfort.

Figure 23B shows another embodiment of a retention system which includes two separate chin pads 329, 331 each being slidably mounted on the strap 307 so that its position can be adjusted to suit an individual user.

5 Figure 23C shows another embodiment of a retention system which also includes two adjustable chin pads 329, 331, and a connector 327 positioned therebetween, so that in use, the connector is positioned under the chin. Figures 23D and 23E show part of a helmet retention system in more  
10 detail, and in particular, Figure 23D shows a rear view of a support member and associated strap guide assembly and Figure 23E shows a top view of the embodiment shown in Figure 15D.

Figures 23D and 23E illustrate an embodiment of  
15 each of the additional strap guides in more detail, and which may be used as the additional strap guides in the embodiments of Figures 23A to 23C. Each strap guide comprises a roller or knurled buckle having a substantially rectangular ring 324 and a cylindrical member 323 slidably  
20 received on two arms of the ring via through holes. One side of the ring is secured to the support member 311 and the other side 325 provides a bar member which, with the cylindrical member provides a clamp for clamping the strap 307 when the strap is pulled and the cylindrical member 323  
25 is thereby urged towards the bar member. To release the clamp, the bar member is simply swung away from the support member 311, as for example, shown in Figure 16, which causes the cylindrical member to slide away from the bar member 325 expanding the gap therebetween and releasing the strap 307.

30 In this embodiment, a clip 343, 345 is provided on each flexible member 313, 315 to facilitate mounting and removal of the helmet retention system to and from a helmet.

In this particular embodiment, each clip has a T-hole for registration with a corresponding T-screw mounted on the helmet.

Advantageously, the chin strap may be arranged to  
5 be worn under the chin or jaw and away from the front of the chin, to allow the helmet to be worn with a respiratory device such as a gas mask.

#### Further Embodiments of a Retention System

Figures 24A and 24B show another embodiment of a  
10 retention system for a helmet, which in certain respects is similar to the retention systems shown in Figures 23A to 23E and described above but also with some significant differences. In particular the retention system includes a connector 351, 353 either side thereof for releasably  
15 connecting either a chin cup 355 or an under-the-jaw strap 357. Advantageously, this allows a chin cup or an under-the-jaw strap to be used with the retention system as desired, or required by the wearer. Furthermore, as a chin cup cannot be used with a respirator or gas mask, this  
20 arrangement allows the chin cup to be replaced with an under-the-jaw strap when a respirator is used. The connectors in this particular embodiment are miniature seatbelt-type buckles and the male connector may be either on the retention system or the chin cup or strap and the  
25 female on the other, or vice versa.

Another important difference between the retention system shown in Figures 24A and 24B and that described above in conjunction with Figures 23A to 23E, is concerned with the nape support 361, as best shown in Figure 24C. In the  
30 present embodiment, the straps 363, 365 which join the nape support 361 to the back of a helmet extend from the nape support at an angle (rather than substantially vertically)

and are directed and may meet at a common region 367. The adjustable straps 369, 371 extend from the nape support 361 downwardly at an angle (rather than horizontally) and are also directed towards and may meet at the common region 367.

5 The inventors have found that this arrangement in which the support and adjustable straps are directed towards a common region of the nape support prevents bunching or buckling of the nape support when the adjustable straps are pulled tight to secure the helmet on a wearer's head. Furthermore, the

10 downward angle of the adjustable straps makes it possible to pull the adjustable straps forward and downwards, rather than requiring the straps to be pulled sideways as the former motion requires less effort and is more natural.

In the present embodiment, the adjustable straps

15 371, 369 pass from the nape support 361 to a lower portion of the retainer 373 and then upwards to a connector or securing means 375 for securing the retainer at the side or front portion of a helmet. In this embodiment, the lower portion includes a slip ring 377 which is coupled to the

20 chin cup or strap connector 351.

In this embodiment, the retainer also includes side supports or pads 381, 383 which, in use, are placed against side portions of a users head or face for additional comfort and also provide additional surface area over which

25 the retainer is secured to a person. The side pads 381, 383 also keep the upwardly extending portion 370 of the adjustable straps away from a wearer for additional comfort. The side supports may optionally include a speaker 391, 393 for audio communication.

30 Figure 24C shows a chin cup according to another embodiment of the present invention which may be used with the helmet retention system described above with reference

to Figures 24A and 24B, or may be used in any other helmet retention systems. The chin cup 340 comprises a chin pad 342 having apertures 344, 346 positioned at or near each end 348, 350 for permitting the chin pad 342 to be coupled to connectors 351, 353. The chin cup further includes upper and lower straps 352, 354 which pass from the connectors 351, 353 through the apertures 344, 346 and around and against the front of the pad 342. The upper strap 352 extends upwardly from the apertures 344, 346 and is positioned against an upper portion 356 of the chin pad 342 and the lower strap 354 extends generally downwardly from each aperture and is positioned against a lower portion 358 of the chin pad. One or both straps may be held at one or more suitable positions along its length to ensure that it does not slip towards the middle portion 360 of the chin pad. In this embodiment, the first and second straps 352, 354 are formed from the same strap, although in other embodiments, the upper and lower straps may comprise separate straps. In this particular embodiment, the upper and lower straps are formed by placing a middle portion of a continuous strap against the lower portion of the chin pad and through the apertures, looping each end 362, 364 of the strap through a respective aperture 366, 368 in each connector 351, 353, back through a respective aperture 344, 346, and joining the ends 362, 364 together by stitching or any other suitable means, to form the upper strap 352.

The provision of a split strap in which an upper portion of the strap is positioned against an upper portion of the chin pad and a lower portion of the strap is positioned against a lower portion of the chin pad has been found to considerably improve the stability of the chin cup when held against a wearer's chin, and in particular has

been found to provide a more secure fit and prevent or reduce the tendency for the chin cup to slip off the chin by either riding upwards or downwards. In use, generally the upper strap is positioned above the chin protruberance, and the lower strap is positioned below the chin protruberance. Advantageously, the chin pad may comprise a relatively flexible material, and/or may have a non-slip surface to assist in preventing slippage of the chin cup and maintaining the chin cup in the desired position.

10           The chin cup may comprise any suitable material and in various embodiments, the chin cup or pad may comprise a thermoplastic elastomer with a soft durometer that may possess any or all of the following properties: hypoallergenic and/or flame resistant and/or chemical resistant. The material could include grades of Santopreme™, for example the medical grade of Santopreme™.

#### Comfort Liner

Embodiments of the head protector may be provided with an adjustable comfort liner within the head cavity of the helmet to allow the size of the head cavity to be adjusted to fit personnel with different sized and/or shaped heads. Advantageously, this allows the helmet shell (and other components of the head protector) to be manufactured in one size only, thereby reducing production costs. The comfort liner may be removable from the head cavity so that it can be washed or cleaned or transferred for use with another helmet. An embodiment of a comfort liner is shown in Figures 25A and 25B, and further embodiments are shown in Figures 25C to 25E.

30           Referring to Figure 25A, a comfort liner 601 for a helmet has the form of a cup having a side wall 603, a lower circumferential edge 605 and an upper, crown portion 607

attached to the upper end 609 of the side wall 603. A plurality of retainers 610, 612, 614, 616, 618 are provided about the side wall 603, and in this embodiment, the retainers are provided on the side of the wall which lies  
5 internally of the helmet head cavity and shall therefore be referred to as the internal wall of the liner. However, in other embodiments, one or more retainer may be disposed about the exterior wall 620 of the liner which faces towards a users head.

10           The side wall of the liner may comprise any suitable material and preferably comprises a cushioning material. The side wall has fluted, panel-shaped portions extending from an upper portion to a lower portion thereof, and which may be formed by stitching 627 (as shown by the  
15 dashed lines). The retainers may be formed by a band of material extending about the interior wall of the liner, spaced portions of the band being attached to the liner to form a pocket 631 therebetween. Advantageously, the band may be secured to the liner by the same stitching which  
20 provides the fluted panels 623, 625.

To adjust the size of the head cavity within the liner, packing inserts may be provided and inserted into the retainers 612, 614 at selected positions about the liner to achieve a size and shape of head cavity which best fits a  
25 particular individual. The inserts may be formed of any suitable material, preferably a resilient material such as a suitable foam or other material. The retainers 612, 614 may also be made of any suitable material, including a resilient material such as foam. The liner may be formed of a fire  
30 resistant material in order to meet required safety standards.

To secure the insert to the helmet, in one embodiment, use is made of an impact absorption insert placed between the liner and the helmet shell. Referring to Figure 25B, a band of material 641 is placed over an impact absorption insert 643 and fits tightly therewith about the lower portion of the insert. As the insert 643 becomes wider towards its lower edge, the retaining band tightens against the insert as the band is pulled towards the edge so that the band cannot easily be pulled off from the edge, if at all. The retaining band contains connection means for connecting the liner to the band, which in one embodiment may comprise a zipper. In the embodiment shown in 25B, one side of a zipper 645 (or zippers) is secured to the retaining band 641 and the other side of the zipper 645 is attached to the liner, as shown in Figure 25A. During the production process, the retaining band 641 is secured in place over the impact absorption insert 643 and the combination is then inserted into the helmet shell.

In other embodiments, the packing insert retainers may be formed by any other suitable means and may extend about the entire liner or only a portion or portions thereof.

The crown portion 607 may also be provided with one or more retainers for retaining packing material to allow the height of the head cavity to be adjusted to suit an individual wearer.

Embodiments which use alternative methods to attach the comfort liner to an impact absorption insert will now be described with reference to Figures 25C to 25E.

Figure 25C shows a comfort liner 601 according to another embodiment of the present invention, and an impact absorption insert 643. The comfort liner 601 may be similar

to that described above and shown in Figures 25A to 25B and like parts are designated by the same reference numerals.

In this embodiment, the comfort liner has an outwardly extending peripheral band (or collar or flange) 603

5 positioned at its lower edge which carries a plurality of spaced apart fastening members 632. The impact absorption insert 643 has a plurality of complementary fastening members 644 positioned about its lower peripheral edge 646 and which are positioned to register with the fastening

10 members 632 of the comfort liner. The comfort liner and absorption insert fastening members may have a male/female configuration and the female member may be attached to the comfort liner and the male to the absorption insert, or vice versa. In one embodiment, the female fastener may comprise

15 a button and the male fastener may comprise a corresponding stud. In this embodiment, the comfort liner is secured to the impact absorption insert by simply pressing the fastening member pairs on the comfort liner and insert together. One or more tabs or loops 634 may be provided on

20 the comfort liner which is accessible when the comfort liner is attached to the impact absorption insert to facilitate removal of the comfort liner from the insert. In one embodiment, the tab or loop may be positioned at the rear or side of the helmet so as not interfere with a wearer's face.

25 Figure 25D shows another means for releasably fastening the comfort liner to an impact absorption insert. In this embodiment, the comfort liner 601 (which may be similar to that described above) has an outwardly extending peripheral band (or collar) 603 positioned at its lower

30 edge 605 which carries a plurality of fastening strips 650 which may comprise Velcro™. Complementary fastening strips 652 are provided about the peripheral edge 646 of an impact absorption insert 643, and in this embodiment, the

fastening strips are mounted on one or more carriers 654 (in this embodiment a front and rear carrier) secured to the peripheral edge 646 of the insert by any suitable means, including means which allows the carrier(s) to be removed and replaced. In this embodiment, a plurality of threaded inserts 656 are mounted in the impact absorption insert about its peripheral edge and the carriers are attached to the insert by screws which are received within the threaded inserts.

10           Figure 25E shows another arrangement for securing a comfort liner to an impact absorption insert and which, some respects is similar to that shown in Figure 25D. The comfort liner 601, which may be similar to that described above, has an outwardly extending peripheral band (or  
15 collar) 630 positioned at its lower edge 605 which carries fastener strips 660. This embodiment includes a front fastener strip and two side fastener strips which extend to the rear 662 of the comfort liner. Complementary fastening strips 664 are mounted on the peripheral edge 646 of the  
20 impact absorption insert 643 by means of one or more carriers, in this case a front carrier 668 and a rear carrier 670. The carriers are attached to the insert in a similar manner to that of the embodiment shown in Figure 25D (i.e. with screws and threaded inserts), but in this  
25 embodiment, the screws also pass through apertures 672 formed in the complementary fastening strips 664. The complementary fastening strips may also be secured to the carriers by an adhesive or other auxiliary fastening means. In this embodiment, the fastening strips form a more  
30 continuous connection between the comfort liner and insert than the embodiment shown in Figure 25D and the screws which pass through the fastening strips increase the strength of connection between the fastening strips and insert to

increase their durability. As in the embodiment shown in Figure 25D, the fastening strips may comprise Velcro™ material or any other suitable fastener having interactive mating surfaces. In any of the embodiments of the comfort  
5 liner described above, the peripheral band or collar 630 may be continuous or discontinuous.

#### Helmet Control System

Embodiments of a control system for a helmet or head protection system are described below.

10           Figures 26 and 27 each show a perspective view of a helmet according to another embodiment of the present invention. Referring to Figures 26 and 27, the helmet 401 comprises a shell 403 and a control unit 410. The helmet further includes an electrically powered system providing  
15 various functions for assisting a wearer, which may be positioned at the control unit, at other parts of the helmet, or both. The control unit 410 may be arranged to control functions of the electrically powered system, such as the power delivered to the system. The control unit may  
20 include a monitoring system for monitoring a condition or function of the electrically powered system and may provide an output indicative thereof.

Advantageously, the control unit may be releasably mounted to the helmet shell to allow the control unit to be  
25 removed. This allows a faulty control unit to be readily replaced and the helmet returned to a serviceable condition in the field, rather than having to return the entire helmet to a service center for repair, in which case the helmet could be de-commissioned for some considerable time. In one  
30 embodiment, the control unit may be slidably mounted to the shell by any suitable means, and may include a retention and slidable guide system 412. The control system may include

one or more electrical input/output terminals, which connect with corresponding electrical input/output terminals 414 mounted on the helmet shell.

In one embodiment, the control unit includes one  
5 or more electrically powered fans or other impellers 416, 418 for providing ventilation air to the interior of the helmet, for example, through ventilation ports 420, 422. The helmet may include a microphone 415 and/or speaker system (for example shown in Figures 24A and 24B) and a  
10 visor 405. In a particularly advantageous embodiment, the interior surface of the visor may be treated with a moisture or condensation reducing agent which reduces or completely removes the need for ventilation air to prevent condensation on the interior surface of the visor. This reduces the  
15 amount (e.g. CFM) of ventilation air required by the helmet, thereby reducing power consumption and allowing the electrical power source (e.g. motor) to be smaller in comparison to existing systems. Reduction in the requirement for ventilation air also allows a quieter motor  
20 to be used so that the motor can be mounted close to the helmet shell without causing significant noise and interference with audio equipment.

The helmet may include an indicator for indicating a condition or function monitored by the control unit, and  
25 the indicator may, for example, comprise an audio indicator, a visual indicator or a tactile indicator or any combination of these. One or more indicators may be included on the control unit and/or on other parts of the helmet.

Other views of the helmet of Figures 26 and 27 are  
30 shown in Figures 28 to 30, and the helmet may include any one or more further features disclosed herein.

Embodiments of the head protector may include base control module mounted to the helmet for controlling electrical functions associated with the head protector. The head protector may include alternatively or in addition, 5 a remote controlled module for controlling electrical functions associated with the head protector, which in use, may be mounted remotely from the head protector, for example on an arm, leg or torso portion of a wearer. If both modules are provided, both may be arranged to control at 10 least one electrical function which is the same so that if one control module fails, the particular function (or functions) may still be controlled by the other control module. Advantageously, the remote control module may include a panel which is intended to be visible in use, and 15 which includes keys or other user input means, together with a visual indication of their function. The base control module may also include a control panel which includes keys and a visual indication of their function. The remote control module may include means for fastening the control 20 module to the arm, leg or torso portion of a wearer.

Figure 31 shows an embodiment of an arrangement comprising a head protector 801 having a base control module 803 mounted thereon and a remote control module 805 connected to the base module 803 by means of a cable 807. 25 The cable may be used to provide power to the remote controller from the helmet and also carries data communication signals that allow the remote controller to control an unlimited number of features in the helmet. The controller may also be arranged to interrogate the helmet's 30 electronics to receive status information. The remote controller comprises a housing or enclosure 809 which houses the required electronic circuitry and a user interface 811 comprising a plurality of keypads or switches 813 for

receiving user inputs for controlling the system, and one or more indicators which may include indicator lights and/or an alphanumeric display for displaying system status information to the user.

5           An example of the main components of an embodiment of a remote controller are shown in Figure 32. The remote controller comprises a user interface 811 (as described above), a microprocessor 815, a transceiver 817 and a connector 819. The microprocessor 815 is responsible for  
10 controlling the remote control unit. In particular, the microprocessor is responsible for monitoring the user's keystrokes, driving the status indicators and communicating with the helmet's base module to relay commands and retrieve status information. In one embodiment, a simple serial  
15 communication protocol is used to communicate efficiently with the electronic base module and to reduce the number of wires required to connect to the helmet. Reducing the number of wires also makes the system more robust and less susceptible to possible failure.

20           The transceiver receives serial data from the processor and drives the cable with a signal conforming to the desired communication standard. In one embodiment, the RS232 communication standard may be used which provides an extremely reliable communication link which is immune to  
25 electrical noise and static electricity discharges, which may be particularly beneficial when operating in hazardous environments. The connector transmits signals between the transceiver and helmet base module and may comprise a simple RS32 serial data connection which also carries power and a  
30 remote-on signal. As mentioned above, the use of a serial connection limits the number of wires required, and using the RS232 electrical standard provides a high degree of noise immunity and static electricity protection.

An embodiment of a remote controller is shown in Figures 33A and 33B. The remote controller 805 comprises a housing 811 and a strap 813 for securing the remote controller to the arm of a wearer. The strap is fixed to one side of the housing and the other end is looped through a slot 825 at the other side of the controller housing. A fastener, for example a fastening strip 827 is provided on the outer surface of the strap on one side thereof and a complementary fastener, e.g. fastening strip 829 is provided on the inside surface at the other end of the strap and the strap is secured by folding the strap back on itself so that the fastening members are connected together.

In another embodiment, the remote control module may be mounted in a pocket having a window or opening to allow the user to see and access the user display and control panel. An example of this arrangement is shown in Figure 34.

Referring to Figure 34, a sleeve 901 of a garment includes a pocket (or retainer) 902 into which a remote controller 903 for controlling one or more functions associated with a protective helmet is inserted. The pocket 902 has a window or open area 904 for permitting a user to visually and/or access a user interface 905 of the controller. The user interface may include one or more visual indicators for indicating a condition associated with the helmet or controller (or other device) and one or more keypads or buttons for receiving user input commands. The pocket 902 includes an aperture 906 for receiving a communications cable 907. The communications cable may extend around the cuff 908 of the sleeve 901 and returned to the helmet along the inside of the sleeve. In another embodiment, the cable 907 may pass to the controller directly through the inside of the sleeve. The opening or

window may include a transparent protective cover to protect the front face of the remote controller.

Another example of a base control module and remote control module are shown in Figures 35A to 35B. The base and/or remote control module may include any one or more of the following control functions.

1. Climate control fan, including speed and turbo boost (which may be time limited).
2. Speaker volume control.
- 10 3. Search light control on/off, and/or intensity level.
4. Visor defogger (which may comprise a heater associated with the visor)
- 15 5. Control panel back light (for eliminating the control functions in poor light).

The base control module and/or the remote control module may be adapted to control any other functions.

The base control module mounted to the helmet may include a power source for driving the various electrical devices associated with the head protector and may store sufficient electrical energy to obviate the need for an auxiliary portable power source.

An embodiment of an electrically powered module for a protective helmet is shown in Figure 35D. The module 250 includes a housing 252 mounted on the rear of a helmet 253 for receiving electronic circuitry 254. The housing may be electromagnetically shielded to prevent the electronic circuitry interfering with external equipment and

vice versa. The housing may also be hermetically sealed to prevent moisture ingress.

The module also includes air impeller housings 255, 256, which in this embodiment are mounted either side of the electrical housing 252 for receiving and installing air impellers 258, 259 for providing ventilation air into the interior of the helmet through one or more ducts (not shown).

Air filters 262, 264 may be provided in the fluid path of the impellers to filter air before being admitted into the helmet.

The module further includes a housing for an electrical energy source, which may comprise one or more battery holders 267. The electrical housing 252 includes a cover 269 for sealing the electrical housing, and a cover 271 which may conveniently be releasably connected to the back of the module is provided to enclose the various module components, including electrical energy sources, fluid impellers and the electrical components. In other embodiments, any one or more of the components described above may be omitted from the control module. The electrical circuit may be adapted to control or monitor any of the functions described above.

#### Light Source

Embodiments of the head protector may include a light source which is secured to a front portion of the helmet or visor. The light source may comprise an LED based light source, preferably having a high efficiency. The light source may include a reflector and lens for concentrating the light into a beam having a desired shape and width. The light source may comprise two individual

light sources which are spaced apart laterally. Each light source may be arranged to produce a beam and the beams may be directed at any desired angle relative to each other and may converge or diverge as required. Each light source may  
5 comprise a light emitting diode and may further include a reflector and/or lens to produce the required beam. The light source may be powered by a DC source, for example a battery power pack which may be mounted on the helmet or elsewhere on the wearer.

10                    Modifications and changes to the embodiments described above will be apparent to those skilled in the art.

CLAIMS:

1. A head protection system comprising a helmet shell,

mounting means on the shell for pivotally mounting  
5 a visor thereto to permit the visor to be moved between raised and lowered positions,

retaining means for releasably retaining a visor on the mounting means, and

a visor being adapted for mounting on said  
10 mounting means and comprising a construction such that at least a portion of the visor has a V-50 impact rating of 600 metres per second or more using the test standard MIL-STD-662F using a 0.22mm projectile defined in MIL-P-46593A.

15 2. A head protection system comprising a helmet shell,

mounting means on the shell for pivotally mounting a visor thereto to enable the visor to be moved between raised and lowered positions,

20 retaining means for releasably retaining a visor on the mounting means, and

a visor adapted for mounting on said mounting means and comprising a layer of transparent material, and a plurality of layers of ballistic resistant material.

25 3. A head protection system as claimed in claim 1, wherein the visor comprises a layer of transparent material and a plurality of layers of ballistic resistant material.

4. A head protection system as claimed in claim 2 or 3, wherein said visor further comprises a second layer of

transparent material adjacent the first layer of transparent material.

5 5. A head protection system as claimed in claim 4, wherein said second layer of transparent material comprises a thermoplastic material such as polycarbonate or acrylic, or the second layer comprises glass.

10 6. A head protection system as claimed in any one of claims 2 to 5, wherein said first layer of transparent material comprises a thermoplastic material, such as acrylic or polycarbonate, or said first layer comprises glass.

15 7. A head protection system as claimed in any one of claims 4 or 5, wherein said visor has a front and a back, and said second layer is positioned towards the front of the visor, the first layer is positioned behind the second layer and the plurality of layers of ballistic resistant material are positioned behind the first layer.

8. A head protection system as claimed in claim 7, wherein said second layer comprises acrylic and said first layer comprises polycarbonate.

20 9. A head protection system as claimed in any one of claims 2 to 6, wherein said visor has a front and a rear, and said first layer is positioned towards the front of said visor and the plurality of layers of ballistic resistant material are positioned towards the rear of said visor.

25 10. A head protection system as claimed in claim 9, wherein said first layer comprises one of polycarbonate and acrylic.

30 11. A head protection system as claimed in claim 2 or 3, wherein said plurality of layers of ballistic resistant material define an opening for permitting light to pass

through said visor, and a second layer of transparent material, such as acrylic or polycarbonate is positioned in front of and adjacent said first layer and which extends over said transparent opening.

5 12. A head protection system as claimed in claim 11, wherein the first layer extends beyond the second layer.

13. A head protection system as claimed in claim 12, wherein said first layer extends to form front and side portions of said visor.

10 14. A head protection system as claimed in any preceding claim, further comprising a second visor adapted for mounting on said mounting means and to be releasably retained by said retaining means.

15 15. A head protection system as claimed in claim 14, wherein said second visor is shaped for accommodating a face mounted respirator when said helmet is worn by a user and the visor is in the lowered position.

20 16. A head protection system as claimed in claim 14 or 15, wherein said second visor comprises a layer of transparent material and a plurality of layers of ballistic resistant material.

25 17. A head protection system as claimed in claim 16, wherein said second visor further comprises a second layer of transparent plastic material positioned in front of and adjacent to said first layer of transparent material.

18. A head protection system as claimed in claim 17, wherein said first layer of transparent material comprises one of acrylic and polycarbonate, and said second layer comprises one of acrylic and polycarbonate.

19. A head protection system as claimed in any preceding claim, further comprising locking means for releasably locking said visor in at least one of a raised position and a lowered position.

5 20. A head protection system as claimed in claim 19, wherein said locking means comprises a depressible locking member mounted on said helmet shell for engaging a portion of said visor to lock said visor in a raised or lowered position.

10 21. A head protection system as claimed in claim 20, wherein said locking system further comprises a manually accessible depressible member coupled to said locking member.

15 22. A head protection system as claimed in claim 21, wherein said visor includes at least one slot or aperture for receiving said locking member to lock said visor in the raised and/or lowered position.

20 23. A head protection system as claimed in any preceding claim, further comprising means for retaining said retaining means on said helmet shell when said visor is released from said shell.

24. A head protection system as claimed in any preceding claim, wherein said helmet shell is the open-face type.

25 25. A head protection system as claimed in any preceding claim, wherein said helmet shell comprises a plurality of layers of ballistic resistant material such as Kevlar, Dyneema, Spectra or a combination thereof.

30 26. A helmet comprising a shell and mounting means for pivotally mounting a shield member to said shell for

movement between a first position and a second position relative to said shell, and

a locking system for locking said shield member in at least one of said first and second positions, and  
5 comprising a lock for preventing movement of said shield member relative to said shell and a manually accessible, depressible member adapted to release said lock on depression thereof, thereby allowing said shield member to move from the respective first or second position.

10 27. A helmet as claimed in claim 26, further including biasing means for biasing said lock into its locking position.

28. A helmet as claimed in claim 26 or 27, wherein said lock comprises a movable member coupled to said  
15 depressible member, and one of said shell and a shield member for the helmet includes receiving means for receiving said moveable member.

29. A helmet as claimed in claim 27, further comprising a lock mounting which includes a mounting member  
20 mounted to said shell and having an aperture for receiving said depressible member, said depressible member being receivable within an aperture formed in a shield for said helmet.

30. A helmet as claimed in claim 29, wherein said lock  
25 mounting further comprises a block adjacent said shell and having a recess for receiving said movable member on depression of said depressible member.

31. A helmet as claimed in claim 30, further including  
30 biasing means for urging said moveable member out of said recess.

32. A helmet as claimed in claim 31, wherein said biasing means comprises a spring.

33. A helmet as claimed in any one of claims 30 to 32, comprising a resilient member for coupling said mounting  
5 block to said shell and arranged to permit movement of said shield relative to said shell in a direction towards the interior of said shell.

34. A helmet as claimed in any one of claims 30 to 33, wherein said mounting block includes coupling means for  
10 coupling said shield to said shell to allow said shell to move between said first position and said second position.

35. A helmet as claimed in claim 26 or 27, further comprising a mounting block mounted to said shell.

36. A helmet as claimed in claim 35, wherein said  
15 mounting block has a housing for accommodating said moveable member, an aperture for receiving said moveable member and permitting said moveable member to extend through said aperture beyond a face of said mounting block, said moveable member including means for preventing said moveable member  
20 protruding beyond said face more than a predetermined distance.

37. A helmet as claimed in claim 35 or 36, wherein said mounting block includes mounting means for pivotally mounting a shield member therefrom.

25 38. A helmet as claimed in claim 37, wherein said mounting means comprises a boss.

39. A helmet as claimed in claim 37 or 38, further comprising a fastener for releasably retaining a shield member on said mounting means, and a retainer coupled to at

least one of said shell and said mounting block for retaining said fastener thereon.

40. A helmet as claimed in claim 39, wherein said retainer is pivotally mounted to at least one of said block  
5 and said shell.

41. A helmet as claimed in any one of claims 35 to 40, further comprising a stop member extending from at least one of said mounting block and said shell for engaging a portion of a shield member and arranged to resist rearward movement  
10 of said shield member relative to said helmet shell.

42. A helmet as claimed in claim 41, wherein said stop member is arranged to prevent a force to the front of the shield member being transmitted to said moveable member.

43. A helmet as claimed in claim 42, wherein said stop  
15 member is positioned in front of said moveable member.

44. A helmet as claimed in any one of claims 35 to 43, further comprising at least one of an audio connector and a microphone connected to said mounting block.

45. A mounting block for a helmet as claimed in any  
20 one of claims 35 to 44.

46. A helmet as claimed in any one of claims 26 to 45, wherein said shield comprises a visor.

47. Protective armour comprising a layer of a plastic,  
transparent material,  
25 a plurality of layers of high performance material, said layers being bonded together to form a laminate, and

securing means for securing said laminate to said layer of plastic transparent material.

48. Protective armour as claimed in claim 47, wherein said plastic transparent material comprises polycarbonate.

49. Protective armour as claimed in claim 47 or 48, wherein said securing means comprises urethane between said  
5 layer of plastic transparent material and said laminate.

50. Protective armour as claimed in any one of claims 47 to 49, wherein said high performance material comprises a high performance fabric.

51. A visor for a helmet comprising a layer of plastic  
10 transparent material, a plurality of layers of high performance material, said layers being bonded together to form a laminate and securing means for securing said laminate to a portion of the surface of said plastic transparent material.

15 52. A visor as claimed in claim 51, wherein said plastic transparent material comprises polycarbonate.

53. A visor as claimed in claim 51 or 52, wherein each of said plurality of layers comprises a composite of high performance material and thermo-plastic or thermo-set resin.

20 54. A visor as claimed in any one of claim 51 to 53, wherein said securing means comprises urethane.

55. A visor as claimed in any one claims 51 to 54, further comprising a further layer of plastic transparent material overlaying said first layer.

25 56. A visor as claimed in claim 55, wherein said further layer comprises one of polycarbonate and acrylic.

57. A process for forming protective armour comprising the steps of providing a layer of plastic transparent material,

forming a laminate comprising a plurality of layers of high performance material and securing said laminate to said layer of plastic transparent material.

58. A process as claimed in claim 57, wherein the step  
5 of forming said laminate comprises providing a plurality of layers of high performance composite material and applying at least one of pressure and heat to said plurality of layers to secure said layers together.

59. A process as claimed in claim 57 or 58, wherein  
10 the step of securing comprises bonding the plastic transparent material to said laminate using urethane.

60. A process as claimed in claim 59, wherein the step  
of securing comprises positioning a sheet or layer of urethane between said plastic transparent material and said  
15 laminate and applying at least one of heat to said urethane sheet and pressure between said plastic transparent material and said laminate.

61. A process as claimed in any one of claims 57 to  
60, further comprising applying shape to at least one of the  
20 surface of said plastic transparent material and said laminate before securing said layer to said laminate.

62. A helmet comprising a shell, a strap guide mounted  
on each side of the helmet in a position for supporting a  
strap for passing under the chin of a wearer, when in use,  
25 a strap which passes through and between each strap guide such that the portion of said strap between said strap guides form a chin strap,

a support member coupled to the rear of said shell  
to allow relative movement between said support member and  
30 said shell and for engaging a portion of the head or neck of

a wearer, when in use, said strap extending from each strap guide to said support member, and

a pull member extending from a position between said support member and said strap guides and which is arranged to cause the length of said strap extending from said support member through said strap guides to shorten when said pull member is pulled.

63. A helmet as claimed in claim 62, further comprising a further pull member extending from said support member an which is arranged to cause the length of said strap extending from said support member through said strap guides to shorten when said further pull member is pulled.

64. A helmet as claimed in claim 62 or 63, further comprising resistance means for resisting extension of the length of said strap extending from said support member through said strap guides on releasing the or each pull member.

65. A helmet as claimed in claim 64, further comprising release means for disabling said resistance means.

66. A helmet as claimed in claim 65, wherein said release means includes a pull tab arranged to disable to said resistance means when said pull tab is pulled.

67. A helmet as claimed in any one of claims 62 to 66, further comprising a connector for releasably connecting one portion of said strap to a second portion of said strap and positioned within the length of said strap which extends from said support member through said strap guides.

68. A helmet as claimed in claim 67, wherein said connector is positioned between said strap guides.

69. A retention system for a helmet comprising first and second strap guides for mounting on each side of the helmet in a position for supporting a strap for passing under the chin of a wearer, when in use, a strap which  
5 passes through and between each strap guide, the portion of said strap between said strap guides forming a chin strap, a support member for movably coupling to the rear of said helmet for engaging a portion of the head or neck of a  
10 wearer when in use, said strap extending from each strap guide to said support member, and pull members extending from said support member and which are arranged to cause the length of said strap extending from said support member through said strap guides to shorten when said pull members are pulled.
- 15 70. A retention system as claimed in claim 69, further comprising resistance means for resisting extension of said length on releasing said pull member.
71. A retention system as claimed in claim 69, further comprising release means for disabling said resistance  
20 means.
72. A retention system as claimed in any one of claims 69 to 71, wherein the or each pull member comprises an extension of said strap.
73. A retention system as claimed in any one of  
25 claims 69 to 72, wherein the or each pull member comprises an extension of said strap.
74. A helmet comprising a shell, an electrically powered system for assisting a wearer, and a power controller for controlling the power delivered to said  
30 system, wherein said power controller is releasably mounted to said shell.

75. A helmet as claimed in claim 74, wherein said power controller comprises monitoring means for monitoring a condition of said controller.

76. A helmet as claimed in claim 75, further  
5 comprising an indicator for indicating said condition.

77. A helmet as claimed in claim 76, wherein said indicator comprises any one or more of an audio indicator, a visual indicator and a tactile indicator.

78. A helmet as claimed in any one of claims 74 to 77,  
10 comprising a housing unit for housing said power controller, said housing unit being releasably mounted to said shell and said housing unit further comprising electrically powered means for providing ventilation air to the interior of said helmet.

15 79. A helmet as claimed in claim 78, further comprising a visor, said visor having a moisture reducing treatment on the surface thereof facing the interior of the shell.

80. A helmet comprising a shell, a visor having a  
20 moisture reducing means treatment on the surface thereof facing the interior of the shell, and electrically powered means for providing ventilation air to the interior of said helmet, said electrically powered means being mounted to said helmet.

25 81. A helmet as claimed in claim 80, wherein said electrically powered means is mounted adjacent said helmet.

82. A helmet as claimed in claim 80 or 81, comprising a housing unit housing said electrically powered means and which is releasably mounted on said shell.

83. A helmet as claimed in claim 82, wherein said housing unit is mounted on the exterior of said shell.

84. A helmet as claimed in any one of claims 74 to 83, comprising a visor, said visor comprising a layer of  
5 transparent plastic material and a laminate secured to said layer, said laminate comprising a plurality of layers of high performance material.

85. A helmet as claimed in claim 84, wherein said laminate is secured to said layer of transparent plastic  
10 material by urethane.

86. A helmet as claimed in claim 85, wherein each layer of said laminate comprises a composite of high performance material and thermo-plastic resin.

87. A control unit for controlling an electrically  
15 powered system for a helmet, the control unit having securing means for releasably securing the control unit to a helmet.

88. A control unit as claimed in claim 87, further comprising a monitor for monitoring a condition of said  
20 control unit.

89. A control unit as claimed in claim 88, further comprising an indicator for indicating said condition.

90. A control unit as claimed in claim 89, wherein said indicator comprises any one or more of an audio  
25 indicator, a visual indicator and a tactile indicator.

91. A helmet comprising a shell, a shield member and coupling means for coupling the shield member to the shell and permitting movement of said shield member relative to said shell, and shock absorption means coupled to said  
30 coupling means and arranged to permit movement of said

shield member relative to said shell independently of said coupling means.

92. A helmet as claimed in claim 91, wherein said coupling means comprises pivot means for pivotally coupling  
5 said shield member to said shell.

93. A helmet as claimed in claim 92, wherein said pivot means comprises a pin or bolt coupled to said shield member.

94. A helmet as claimed in any of claims 91 to 93,  
10 wherein said shock absorption means comprises a member formed of a resilient material.

95. A helmet as claimed in claim 94, wherein said coupling means comprises pivot means for pivotally coupling  
said shield member to said shell, and wherein said resilient  
15 member defines an aperture for receiving said pivot means.

96. A helmet as claimed in claim 95, further comprising a mounting block secured to said shell and having a receptacle for receiving said resilient member.

97. A helmet as claimed in claim 91, wherein said  
20 coupling means is arranged to permit slidable movement of said shield member relative to said shell.

98. A helmet as claimed in any of claims 91 to 97, wherein said shield member comprises a visor.

99. A helmet comprising a shell and a shield member  
25 coupled to said shell for movement between a first position and a second position relative to said shell, and

a locking system for locking said shield member in at least one of said first and second positions and comprising a rotary cam mounted on said shell, an aperture

formed in said shield member and an opening in the side of said aperture for receiving said cam into said aperture, said aperture permitting rotation of said cam when located in said aperture to a position which prevents movement of  
5 said cam from said aperture through said opening.

100. A protective system comprising a protective helmet, at least one electrically operated device mounted to said helmet, a controller for controlling said device from a location remote from said helmet, means for transmitting  
10 control signals from said controller to said device, wherein said controller includes fastening means for fastening the controller to a part of a wearer's body so that, in use, the second controller is visible to the wearer.

101. A protective system as claimed in claim 100,  
15 wherein said controller comprises visual indicator means whose appearance changes in response to a condition associated with said helmet or said controller.

102. A protective system comprising a helmet, at least one electrically operated device mounted to said helmet, a  
20 controller for controlling said device from a location remote from said helmet, means for transmitting control signals from said controller to said device, and wherein said controller includes visual indicating means responsive to a condition associated with at least one of said helmet  
25 and said controller.

103. A protective system comprising a helmet, at least one electrically operated device mounted to said helmet, a monitor for monitoring said device from a location remote from said helmet and means for transmitting signals from  
30 said device to said monitor.

104. A protective system comprising a helmet, at least one electrically operated device mounted to said helmet,

means for at least one of controlling said device and monitoring said device from a location remote from said helmet, means for transmitting signals from at least one of said controller and said device to the other of said  
5 controller and said device, and a retainer mounted on the clothing of a wearer for retaining said controller.

105. A protective system as claimed in claim 104, wherein said retainer comprises a pocket having an aperture to allow at least one of a display and control panel to be  
10 viewed by a wearer.

106. A protective system as claimed in any of claims 100 to 105, further comprising a second controller mounted to said helmet for controlling said device.

107. A protective system as claimed in claim 106,  
15 wherein said first and second controllers are arranged to control at least one function of the device which is the same function.

108. A protective system as claimed in claim 107,  
20 wherein said device is arranged to control said function in response to a control command from either of said first and second controllers.

109. A protective system as claimed in any of claims 100 to 108, wherein said electrical device comprises one of: a fluid impeller, an amplifier, a microphone, a  
25 speaker, a light source, and a heater.

110. A protective system as claimed in any of claims 100 to 109, wherein said fastening means is adapted for fastening said controller to a limb of a wearer, for example, a hand, wrist, arm or leg.

111. A protective system as claimed in any of claims 100 to 110, wherein said controller includes a key for controlling one of a fluid impeller, an amplifier, a microphone, a speaker, a light source, and a heater.

5 112. A protective system as claimed in any of claims 100 to 111, wherein said controller or monitor comprises power input receiving means for receiving power for driving said controller from a source of electrical energy remote from said controller, for example an  
10 electrical energy source mounted to said helmet.

113. A protective system comprising a helmet, at least one electrically device mounted to said helmet and a source of electrical energy mounted to said helmet and arranged to drive said electrically operated device.

15 114. A protective system as claimed in claim 113, wherein said electrical energy source is mounted on the rear of said helmet.

115. A protective helmet having a side portion which covers the ear of a user, and a microphone positioned on  
20 said side portion.

116. A helmet as claimed in claim 115, further comprising a further side portion opposite said first side portion for covering the ear of a user and a further microphone positioned adjacent said further side portion.

25 117. A head protector comprising a helmet shell having a head cavity therein, a liner for lining said head cavity, wherein at least one of the liner and the shell includes at least one retainer for slidably receiving a packing member for adjusting the size of the head cavity.

118. A head protector as claimed in claim 117, wherein the liner has an exterior face towards the head cavity and an opposed interior face towards the helmet shell, and said at least one retainer is disposed on the interior face of  
5 the liner.

119. A head protector as claimed in claim 117 or 118, having opposed sides, a front and a back, and at least one retainer on one side of the head protector and at least one retainer on the other side of the head protector.

10 120. A head protector as claimed in any of claims 117 to 119, wherein said head protector has opposed sides, a front and a back, and at least one retainer positioned at the front of the head protector.

121. A head protector as claimed in any of claims 117  
15 to 120, having opposed sides, a front and a back, and at least one retainer positioned at the back thereof.

122. A head protector as claimed in any of claims 117 to 121, wherein the exterior face of said liner includes fluted portions in which the flutes extend between upper and  
20 lower regions of the liner.

123. A head protector as claimed in claim 122, wherein said flutes are formed by compressing regions of said liner.

124. A head protector as claimed in claim 123, wherein said flutes are formed by stitching.

25 125. A head protector as claimed in claim 124, wherein said stitching provides a means of fastening the or each retainer to said liner.

126. A head protector as claimed in any of claims 117 to 125, further comprising fastening means for securing the  
30 liner to the helmet shell.

127. A head protector as claimed in claim 126, wherein said fastening means is positioned adjacent a peripheral edge of said helmet shell.

128. A head protector as claimed in claim 126 or 127,  
5 wherein said fastening means comprises a zipper.

129. A head protector as claimed in any of claims 117 to 128, further comprising a form sustaining insert insertable in said shell, and wherein said retaining means includes a layer of material over the interior face of said  
10 insert and said fastening means is secured thereto.

130. A head protector as claimed in any of claims 117 to 125, further comprising an inner peripheral surface adjacent the lower edge of said helmet, and including at least one fastening means, and said liner comprises at least  
15 one fastening member for fastening to said fastening means.

131. A head protector comprising a helmet shell and a shield, and coupling means for slidably engaging and disengaging the shield to and from the helmet shell.

132. A head protector as claimed in claim 131, further  
20 including means for preventing slidable disconnection of said shield from said helmet shell.

133. A head protector as claimed in claim 132, wherein said retaining means engages to prevent said slidable disconnection in response to movement of said shield  
25 relative to said helmet shell from a first position to the second position.

134. A head protector as claimed in any of claims 131 to 133, wherein said coupling means includes means for rotatably coupling said shield to said helmet shell.

135. A head protector as claimed in any of claims 131 to 134, wherein said shield comprises a visor.

136. A head protector as claimed in any of claims 131 to 135, wherein said coupling means includes means defining  
5 a slot having an open end, said means being associated with one of said helmet and said shield, and means receivable through the said open end and associated with the other of said helmet and said shield for mounting the shield on the helmet.

10 137. A head protector as claimed in claim 136, further comprising retaining means for retaining said receivable means in said slot.

138. A head protector as claimed in claim 137, wherein said receivable means comprises a member which allows  
15 relative rotation between said slot and said member when said member is inserted in said slot, and said retaining means is arranged to prevent withdrawal of said member from said slot on rotation of said slot relative to said member from a first position, in which said withdrawal is possible,  
20 to a second position in which said withdrawal is prevented.

139. A head protector as claimed in any of claims 131 to 138, wherein said retaining means comprises a further slot associated with one of said shield and said helmet shell, and a further member associated with the other of  
25 said shield and said helmet shell which is arranged to travel in said slot when said shield is mounted on said helmet shell and the shield is rotated from said first position.

140. A head protector as claimed in claim 139, further  
30 comprising a third slot associated with one of said shield and said helmet shell and a third member which is arranged

to travel in said third slot when said shield is rotated from said first position.

141. A head protector as claimed in claim 140, wherein said further and third members are disposed on opposite  
5 sides of said first member.

142. A head protector as claimed in any of claims 131 to 141, wherein said coupling includes impact absorption means between the shield and the helmet shell.

143. A head protector as claimed in claim 142, wherein  
10 said first member includes said impact absorption means.

144. A head protector comprising a helmet and a retainer for retaining the helmet on the head of a wearer wherein the retainer includes means extending from the helmet for supporting a connector either side of the helmet,  
15 each connector being adapted to releasably and interchangeably connect one of a chin cup and an under-the-jaw strap thereto.

145. A protective system comprising a helmet and a plurality of visors which can be interchangeably connected  
20 to the helmet and coupling means for coupling each visor to the helmet.

146. A protective system as claimed in claim 145, wherein said plurality of visors includes an EOD visor and at least one of a search visor having a larger transparent  
25 area than the EOD visor and a visor adapted to accommodate a respirator or gas mask.

147. A protective system as claimed in claim 145 or 146, wherein the coupling means is adapted to permit each visor to be removably connected to the helmet without  
30 removing the helmet from the head of the wearer.

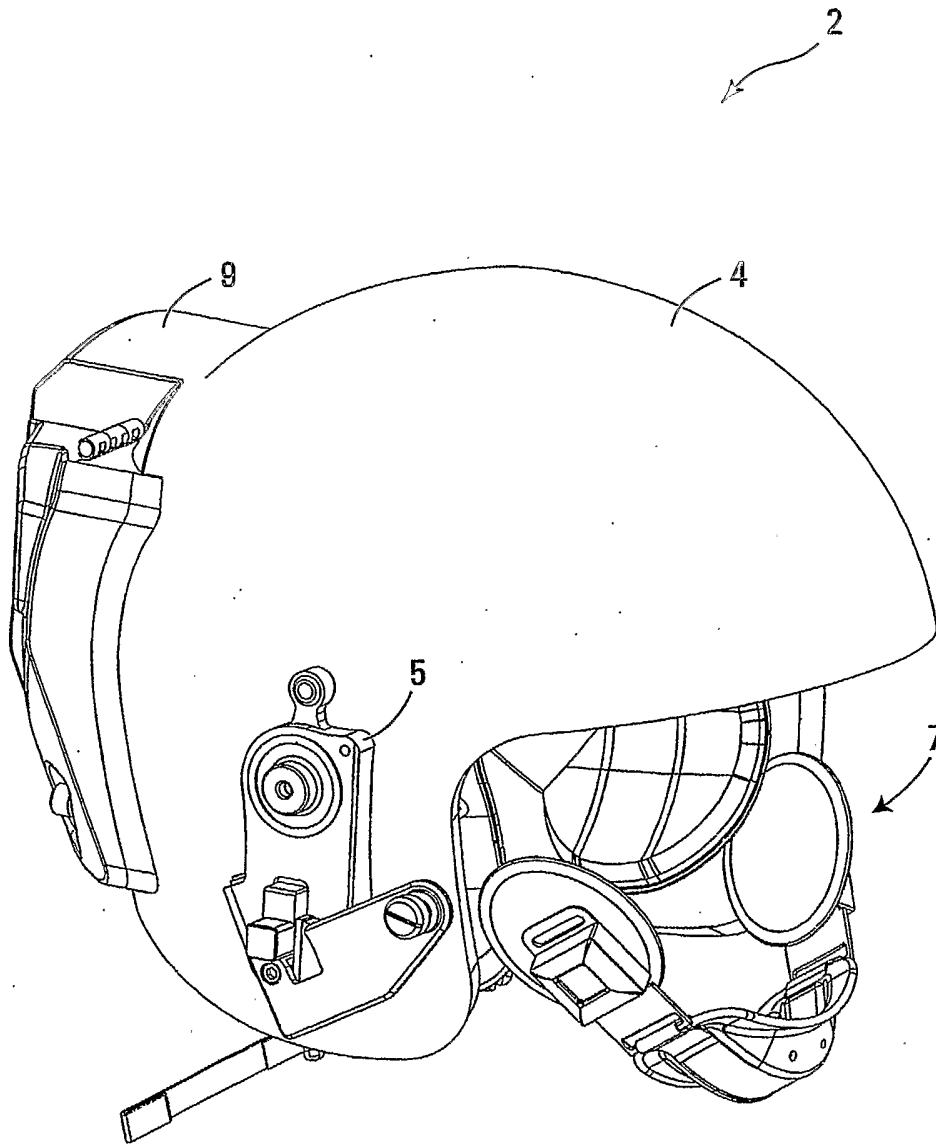
148. A protective system s claimed in any one of claims 145 to 147, wherein each visor is slidably connectable to the helmet.

149. A helmet having a retainer including a nape support, the nape support being connected to the helmet by first and second straps which extend at an angle and transversely from a common region of the nape.

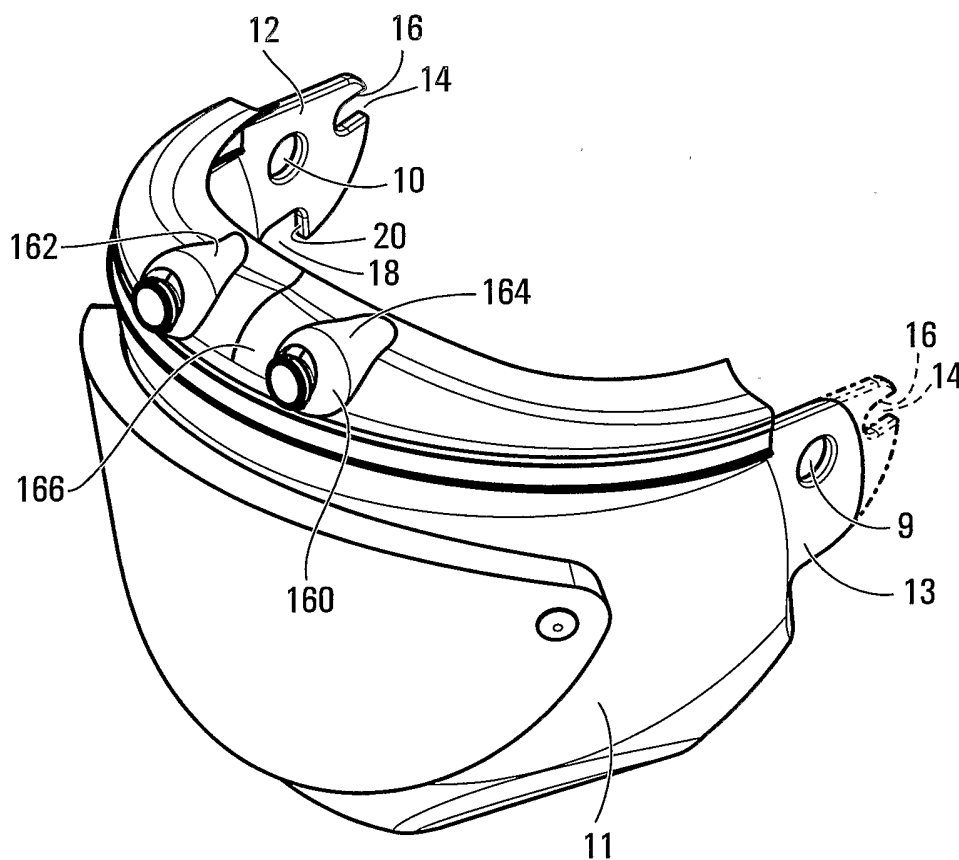
150. A helmet having a retainer including a nape support and an adjustable strap for tightening the retainer about the head of a wearer, wherein the adjustable strap is connected to extend downwardly, and optionally sideways from the nape support.

151. A chin cup for a retention system, comprising a chin pad, having an upper portion and a lower portion, and a first strap positioned adjacent said upper portion and a second strap positioned adjacent said lower portion.

1/56



**FIG. 1**



**FIG. 2A**

3/56

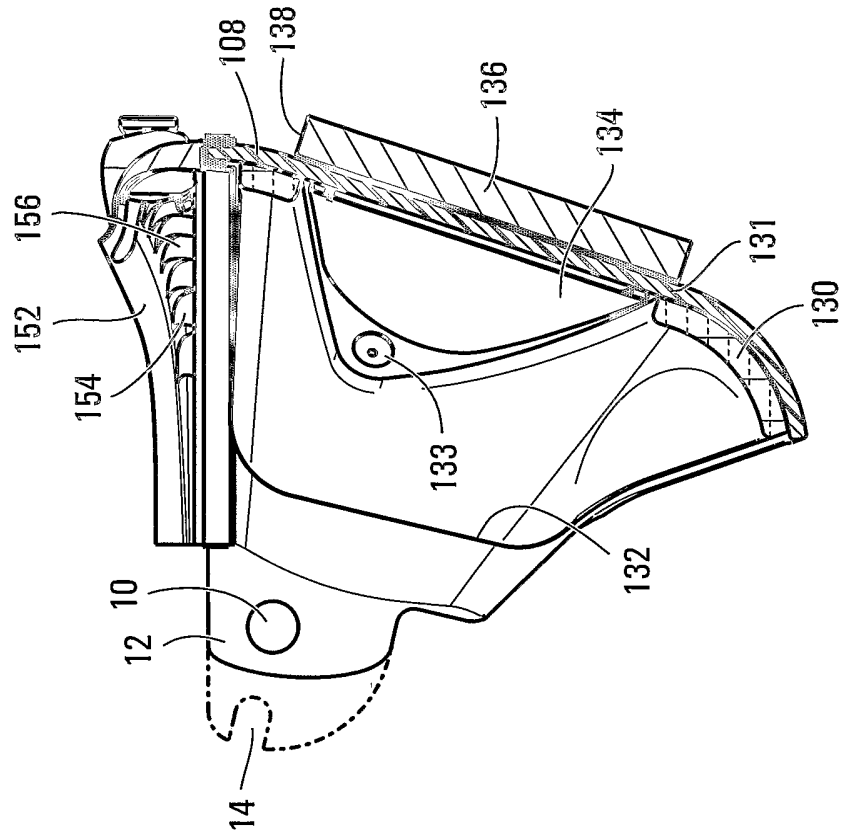


FIG. 2C

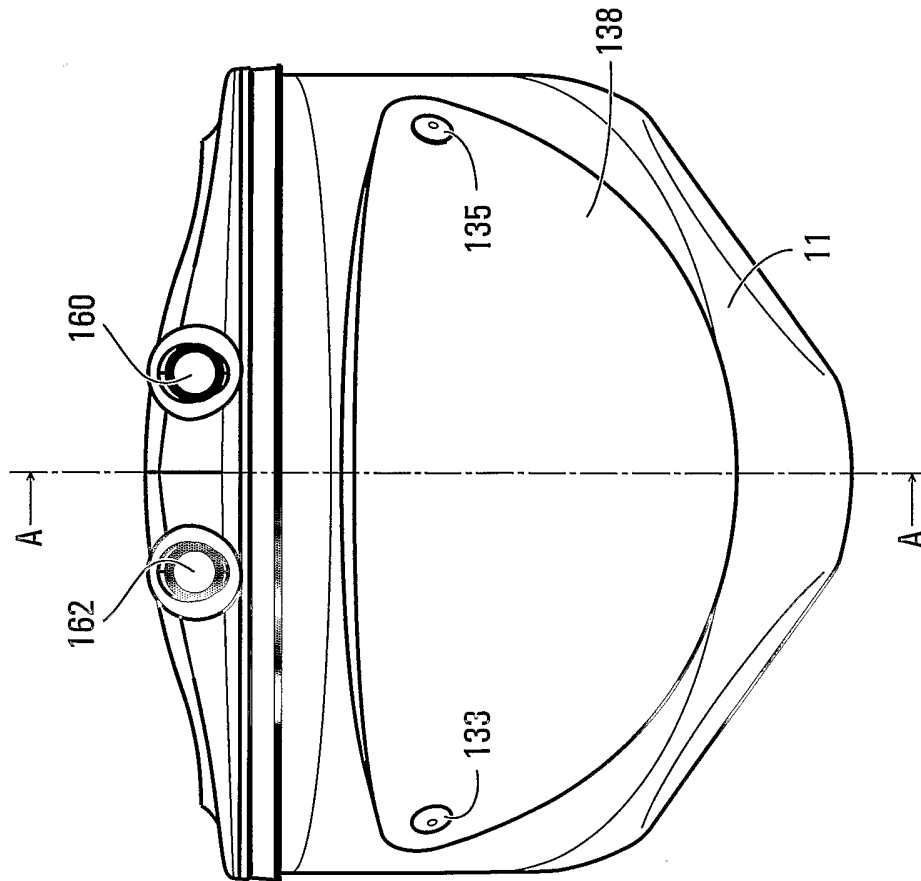


FIG. 2B

4/56

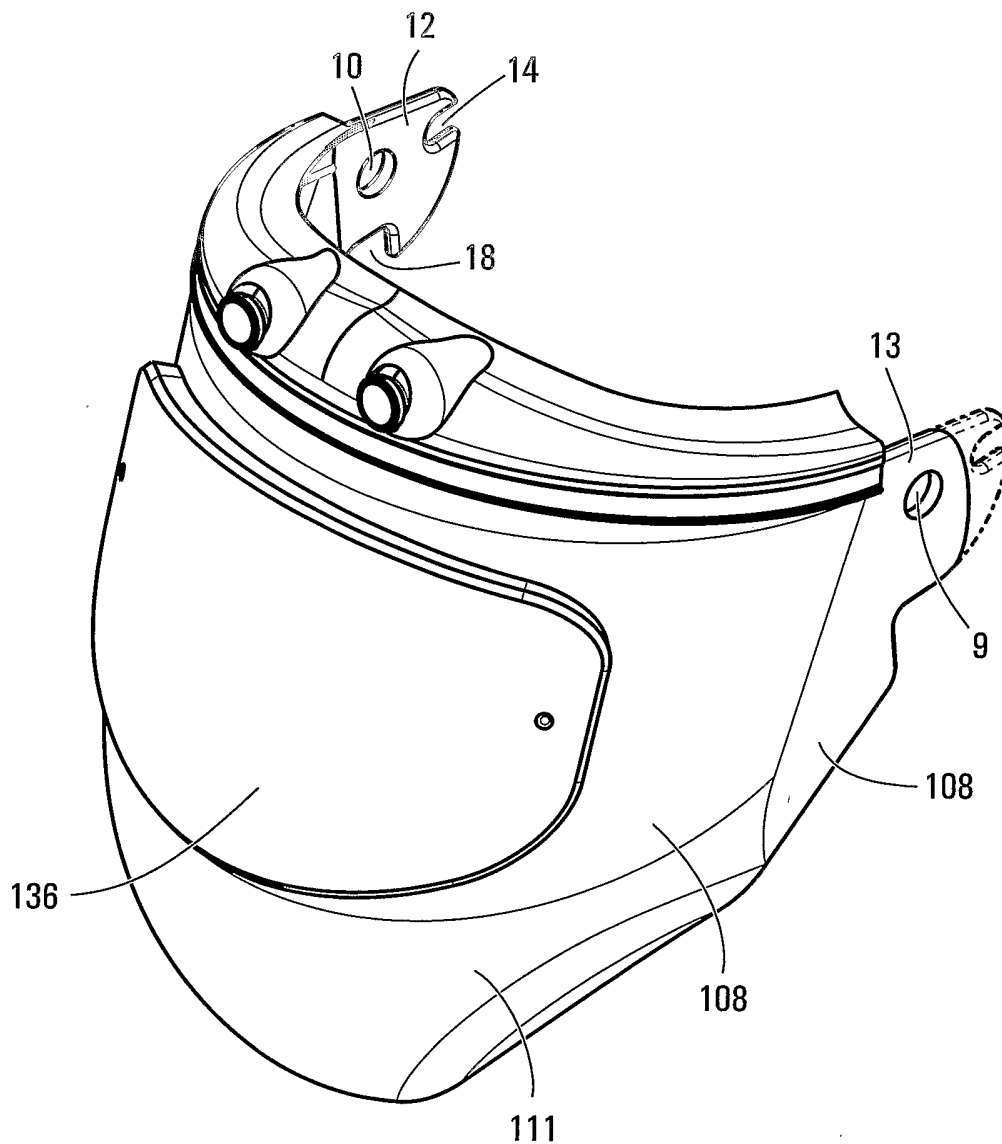


FIG. 3A



6/56

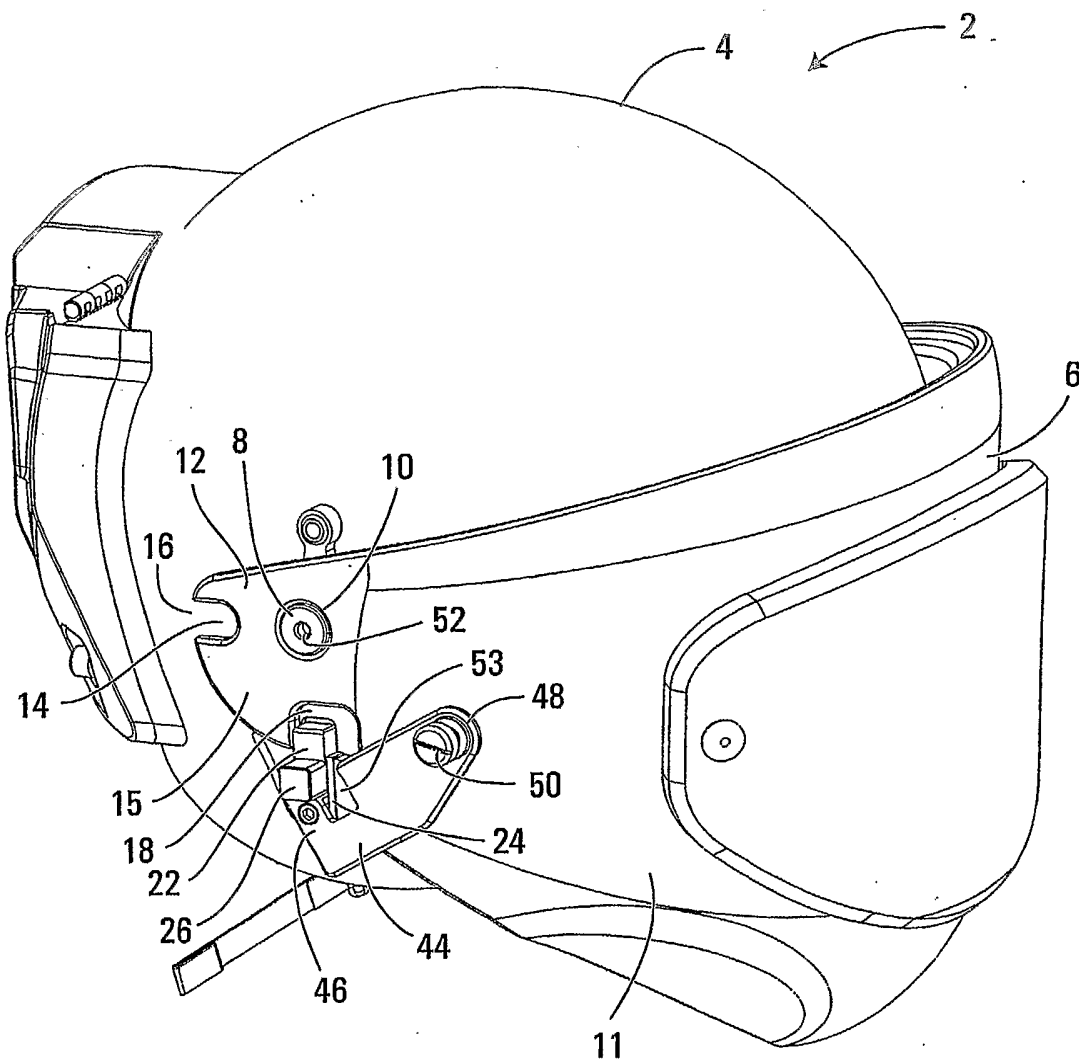
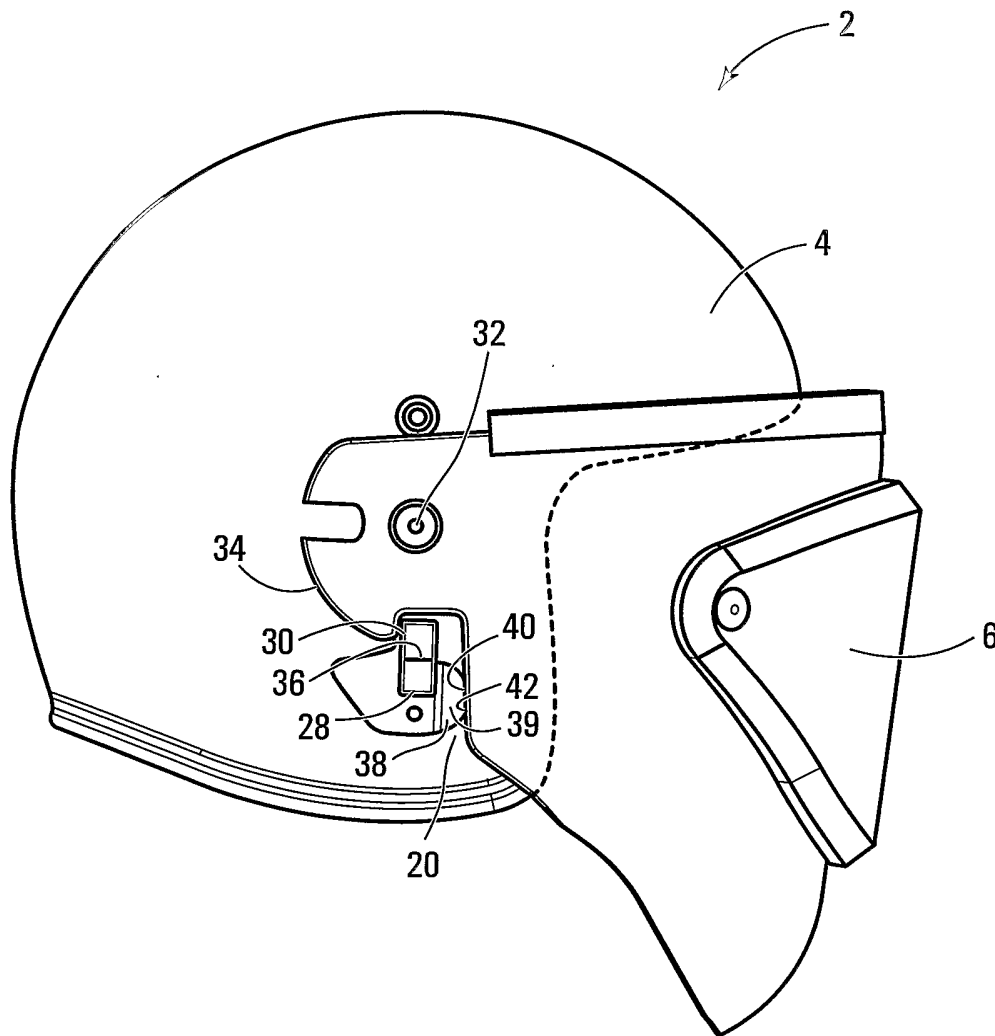


FIG. 4A



**FIG. 4B**

8/56

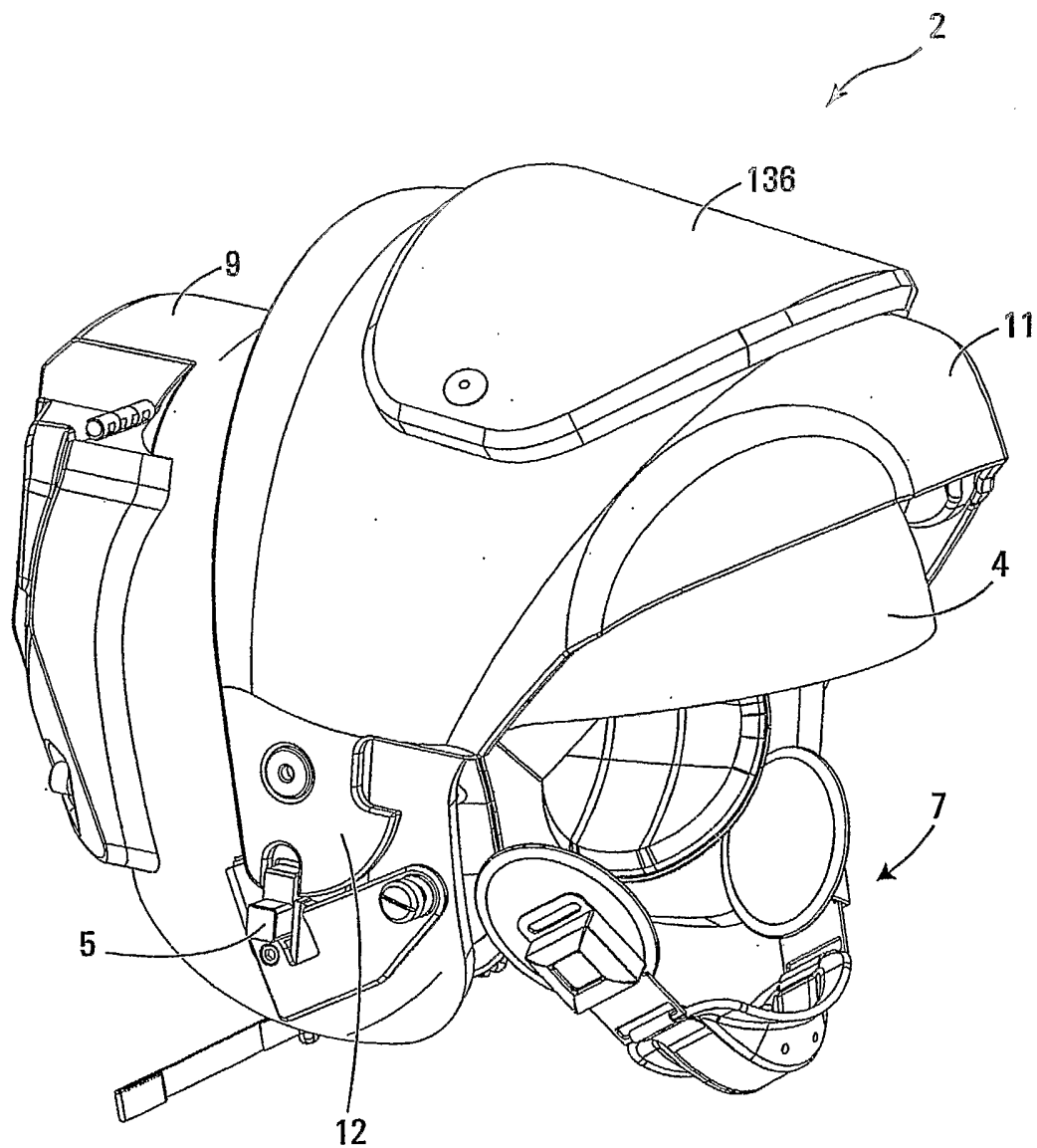


FIG. 5

9/56

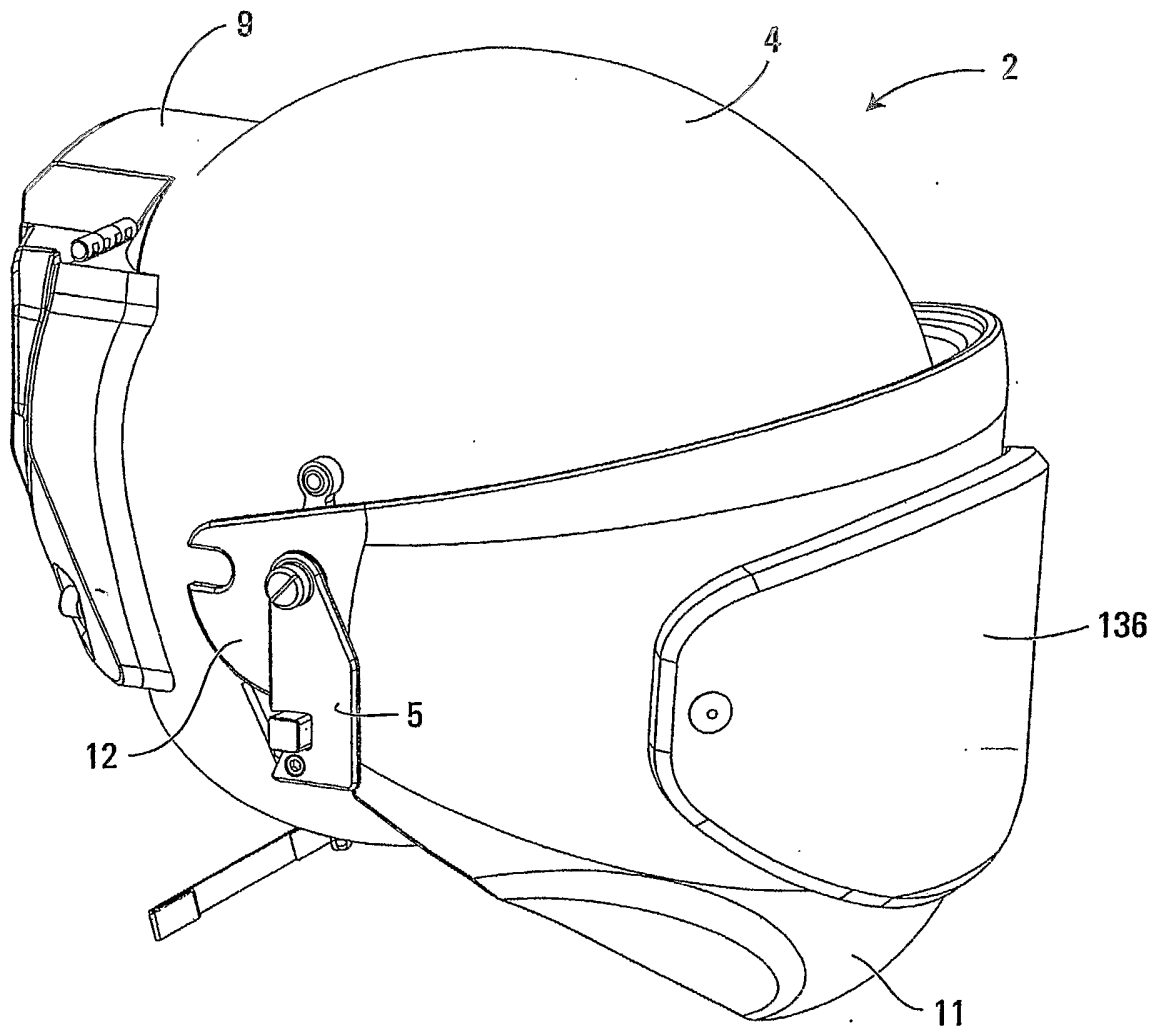
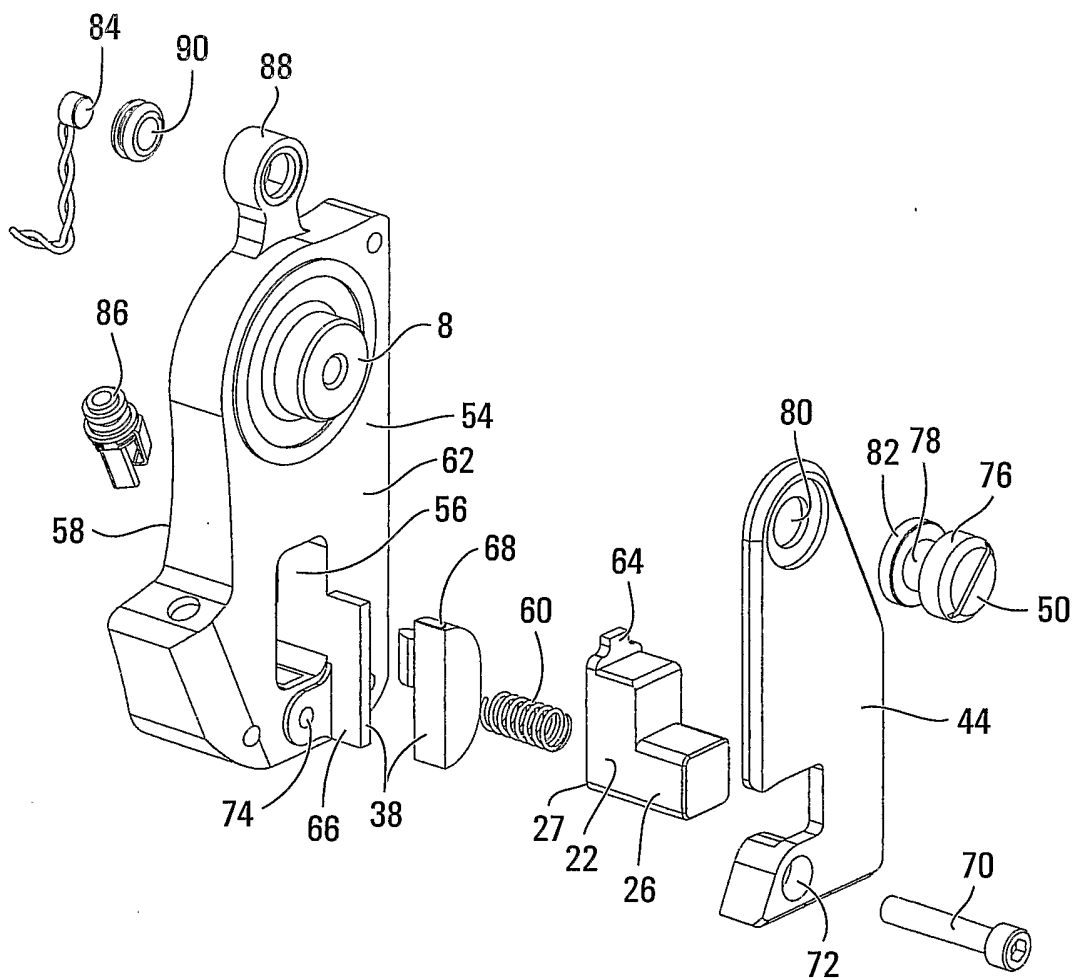


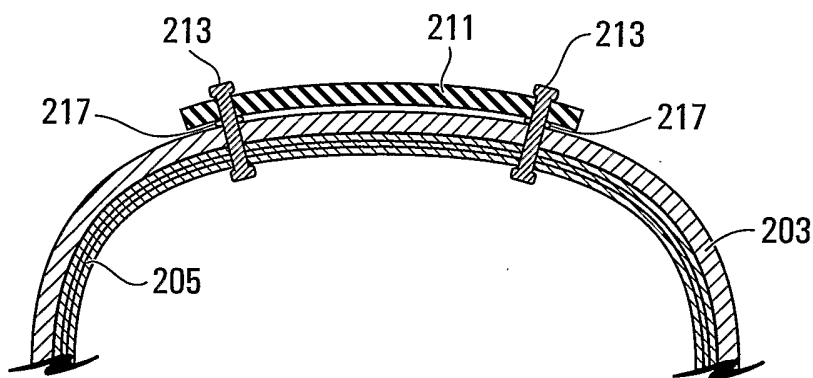
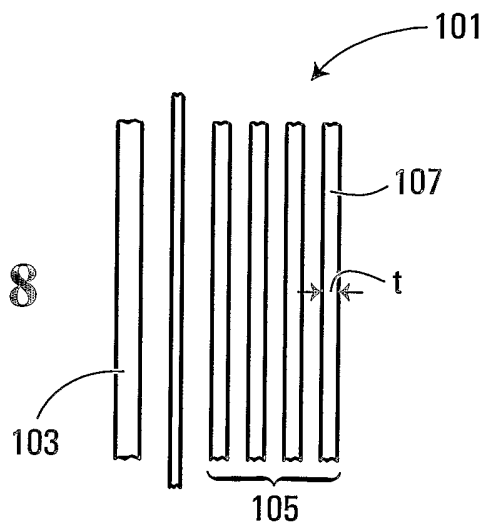
FIG. 6



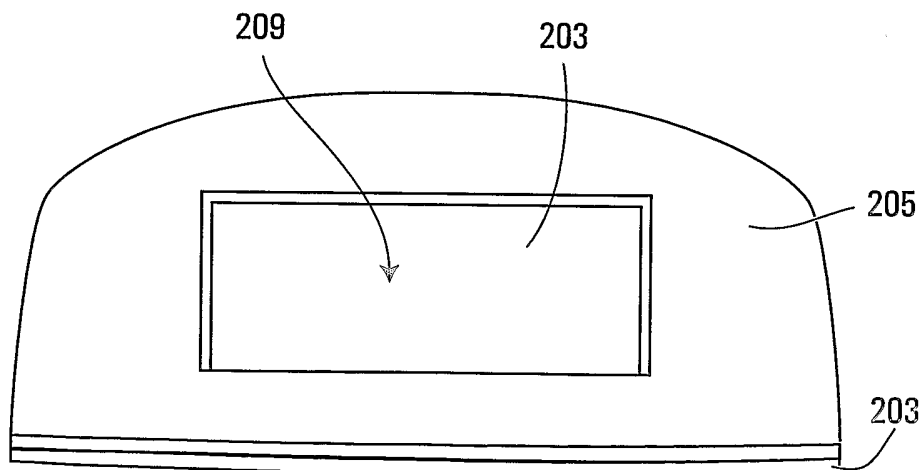
**FIG. 7**

11/56

**FIG. 8**

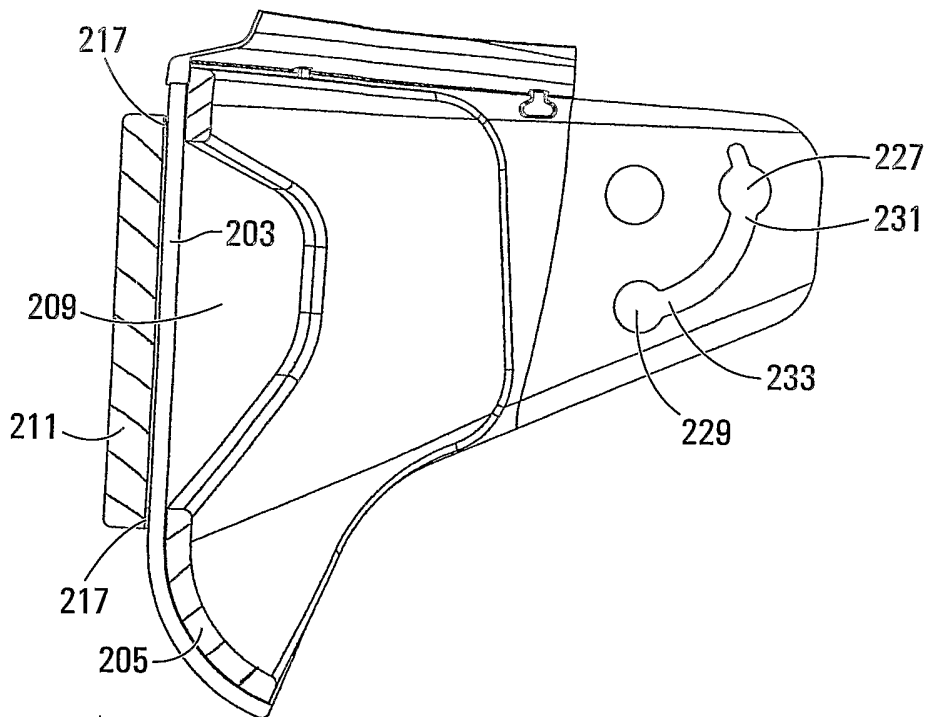


**FIG. 9**

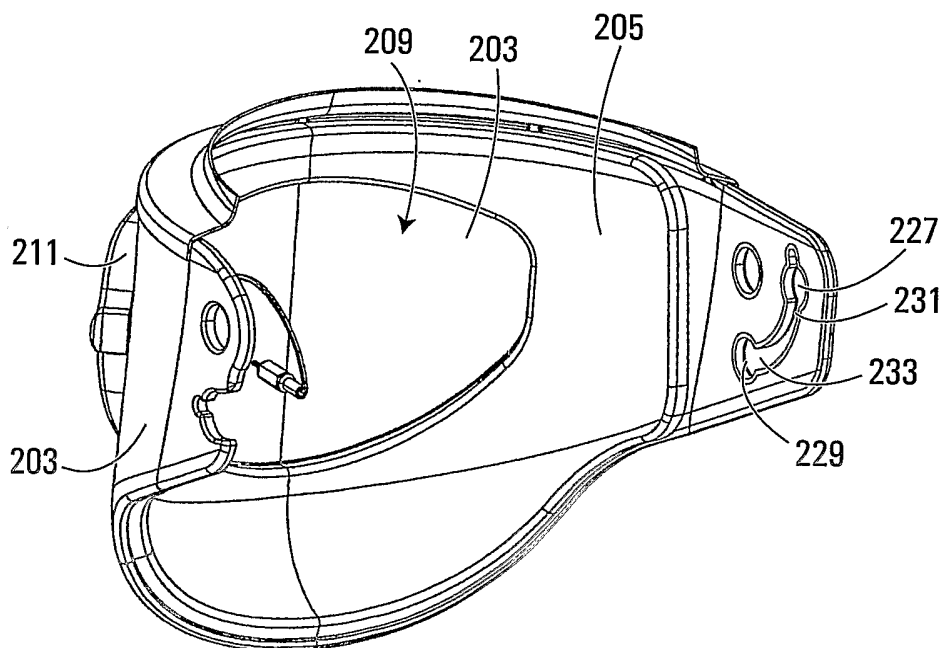


**FIG. 10**

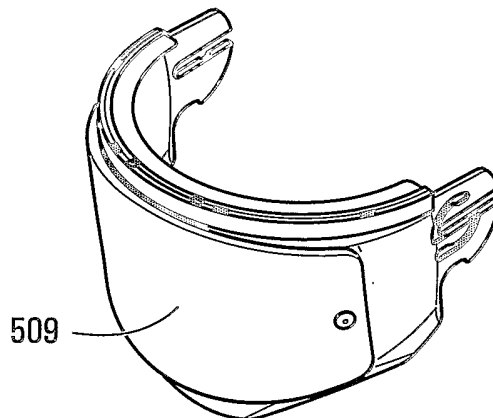
12/56



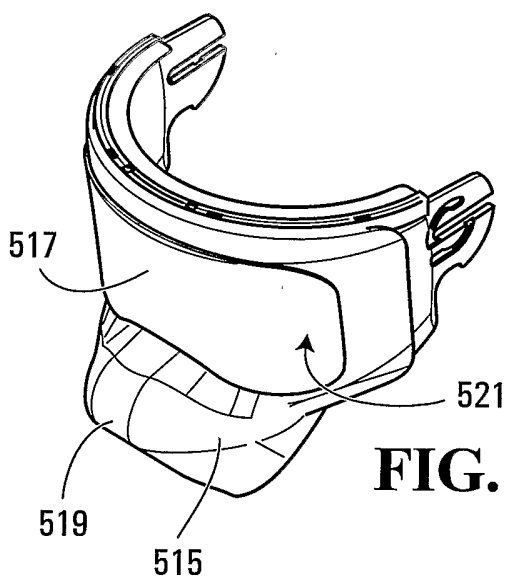
**FIG. 11**



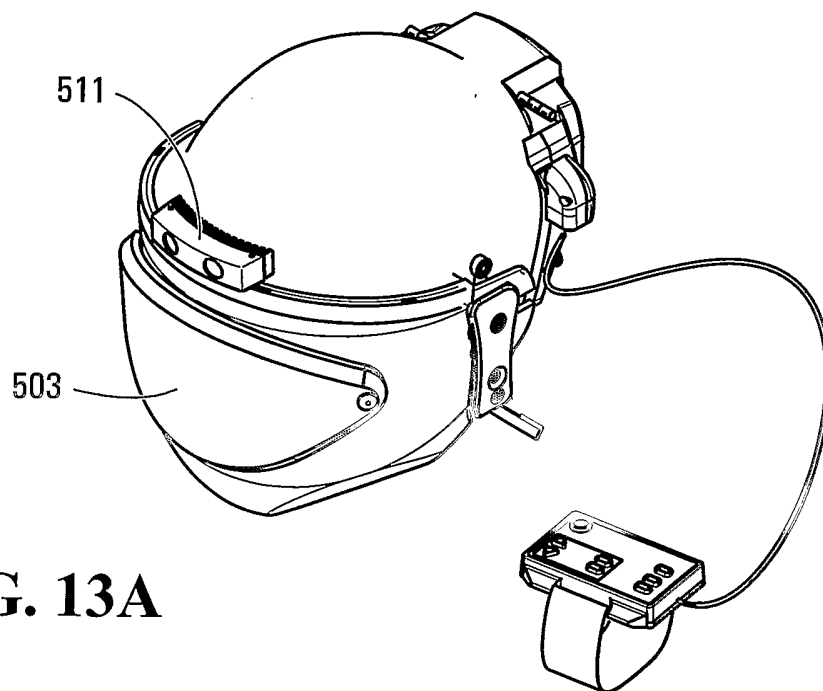
**FIG. 12**



**FIG. 13B**

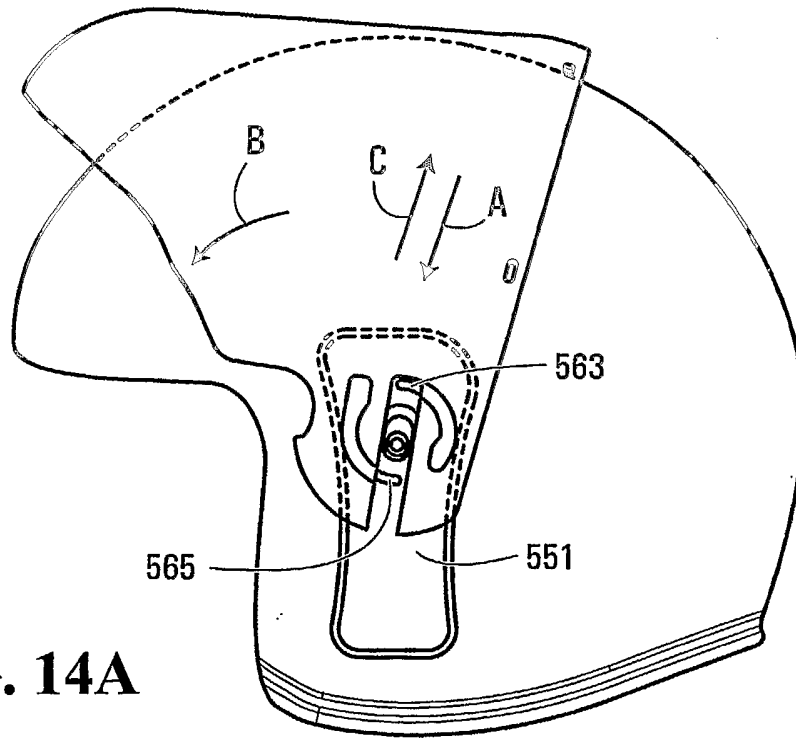


**FIG. 13C**

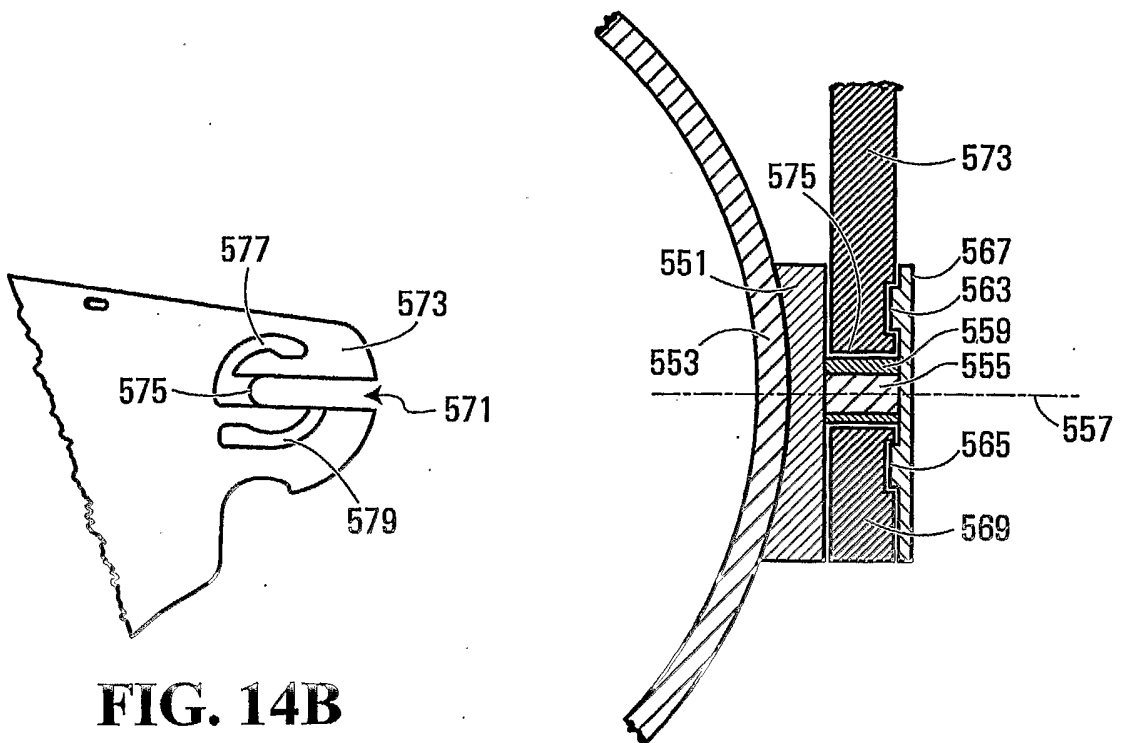


**FIG. 13A**

14/56



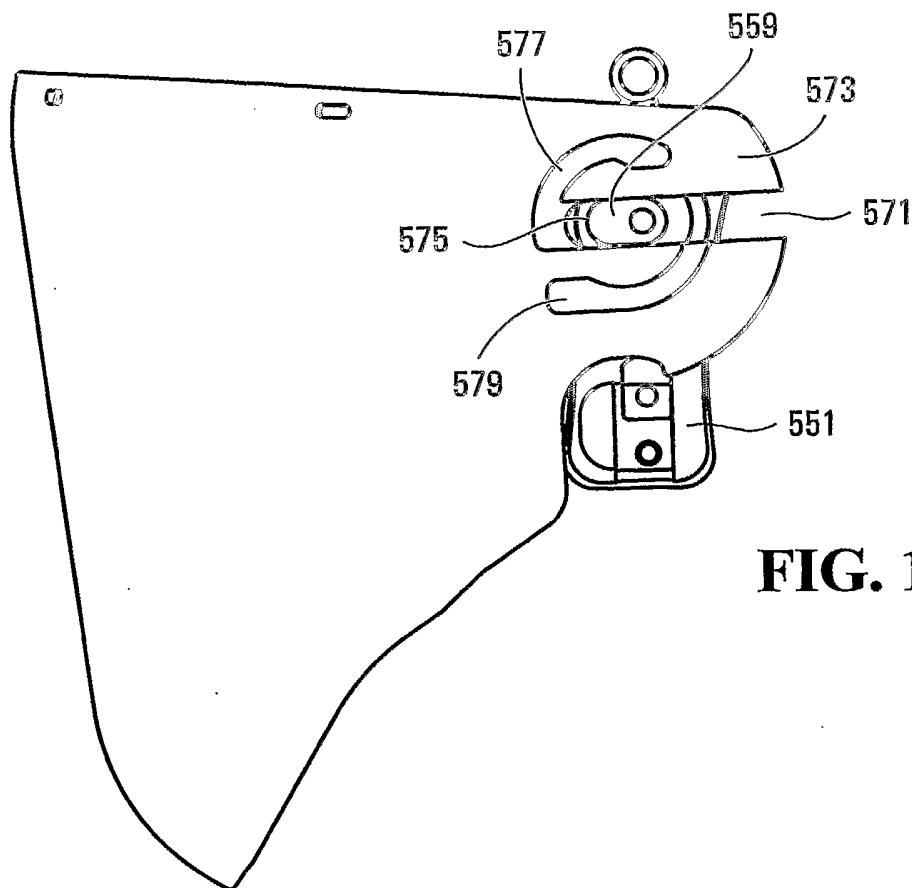
**FIG. 14A**



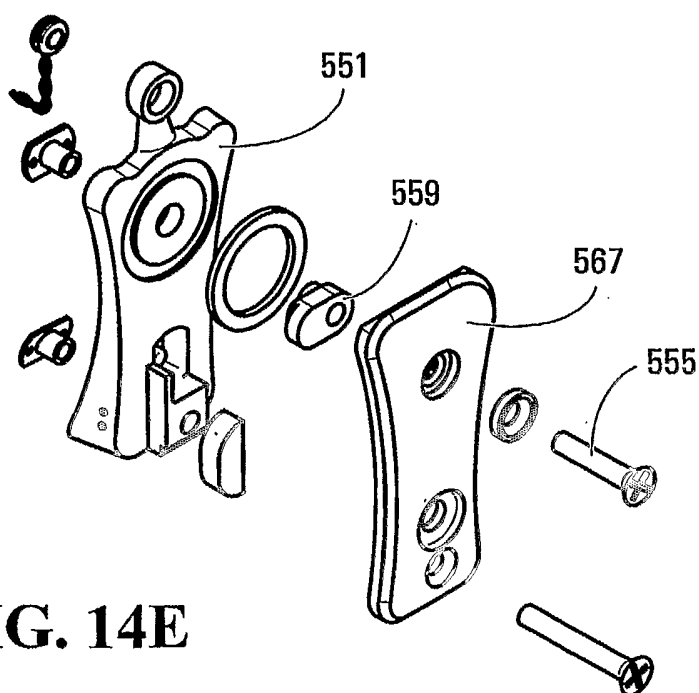
**FIG. 14B**

**FIG. 14C**

15/56

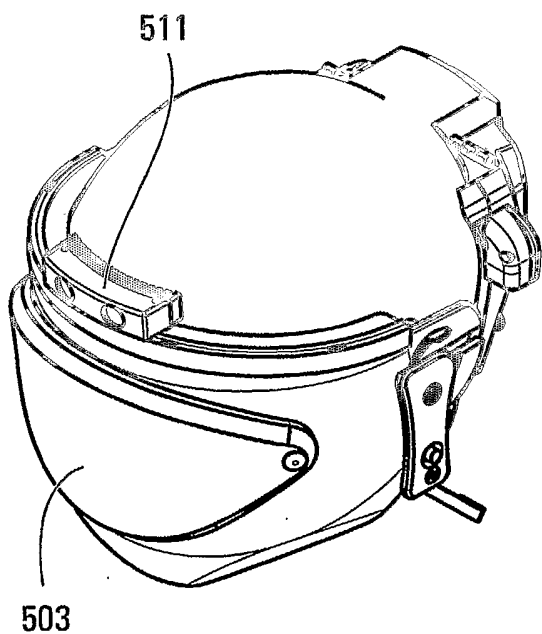


**FIG. 14D**

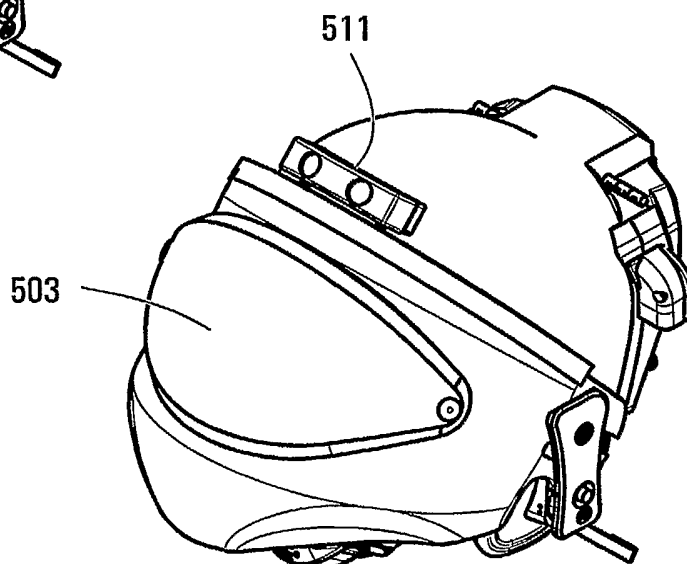


**FIG. 14E**

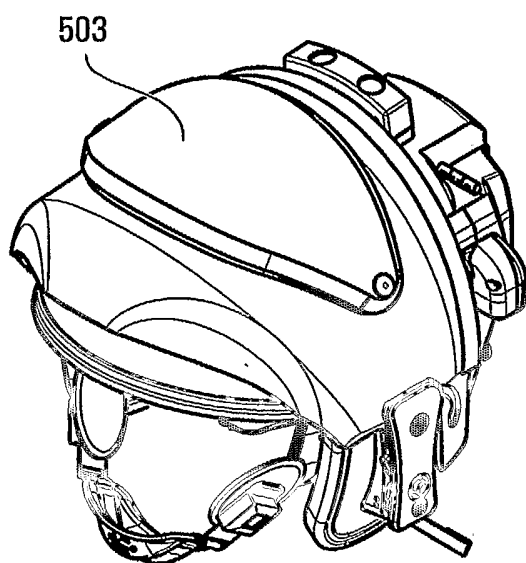
16/56



**FIG. 15A.1**

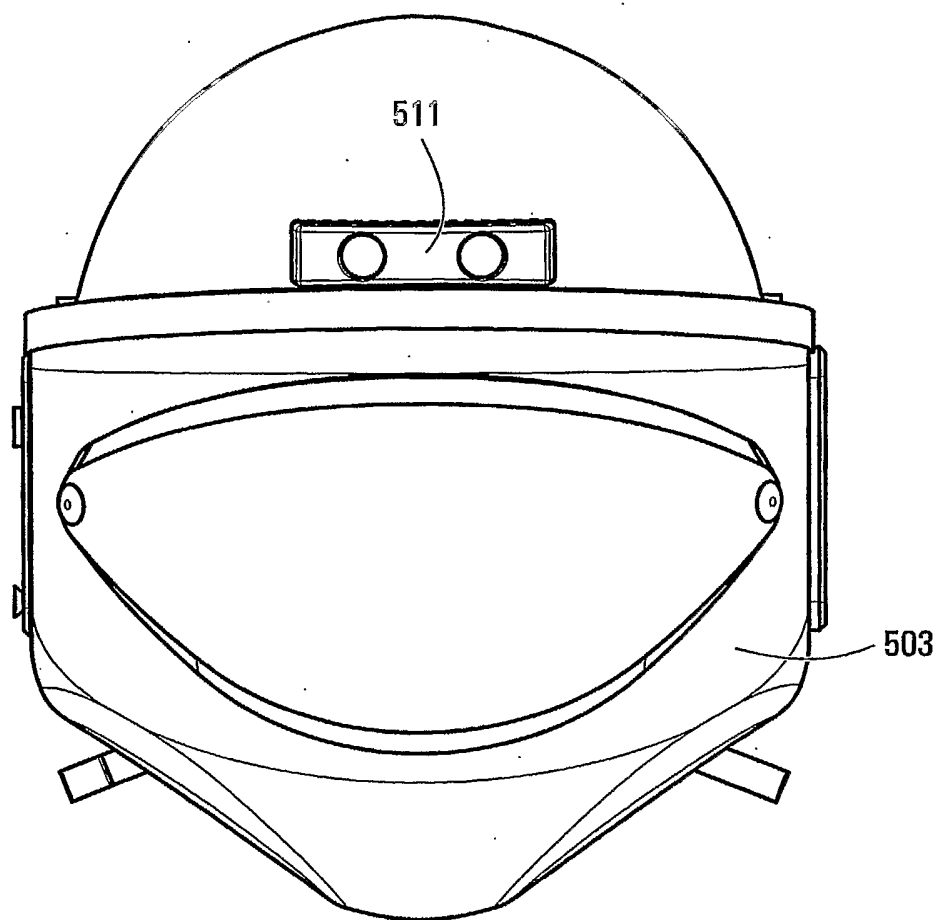


**FIG. 15A.2**



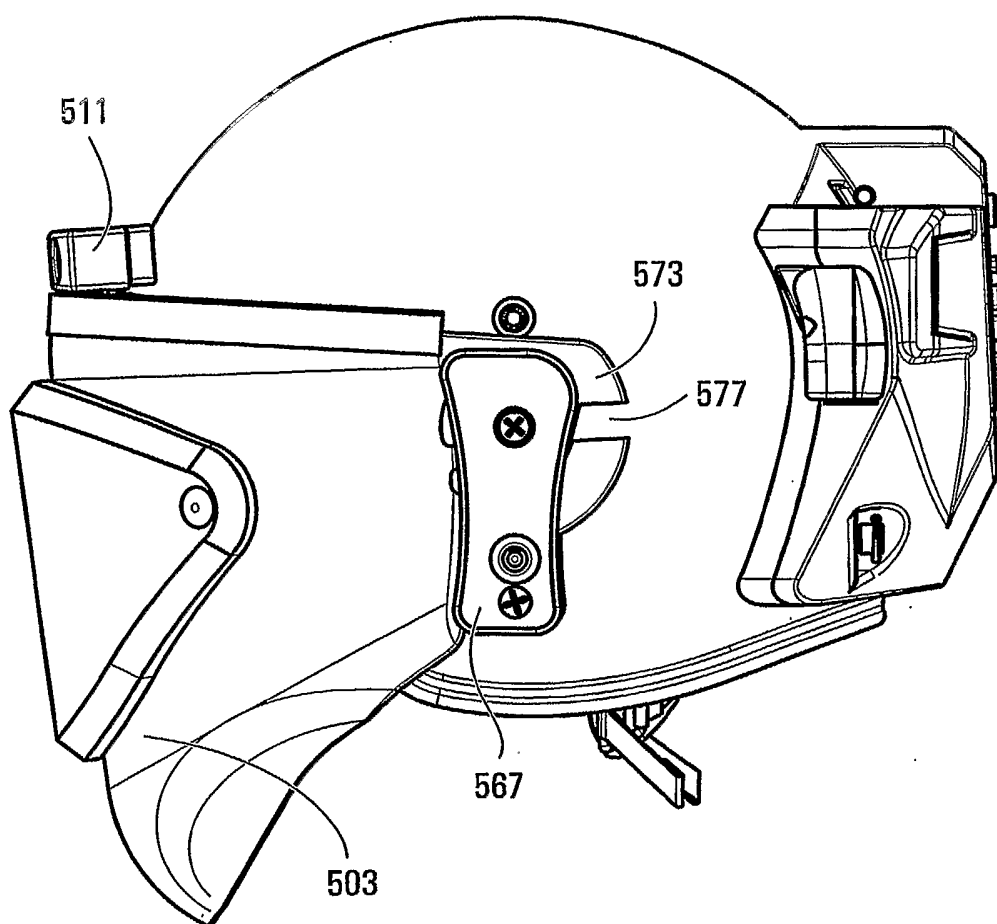
**FIG. 15A.3**

17/56



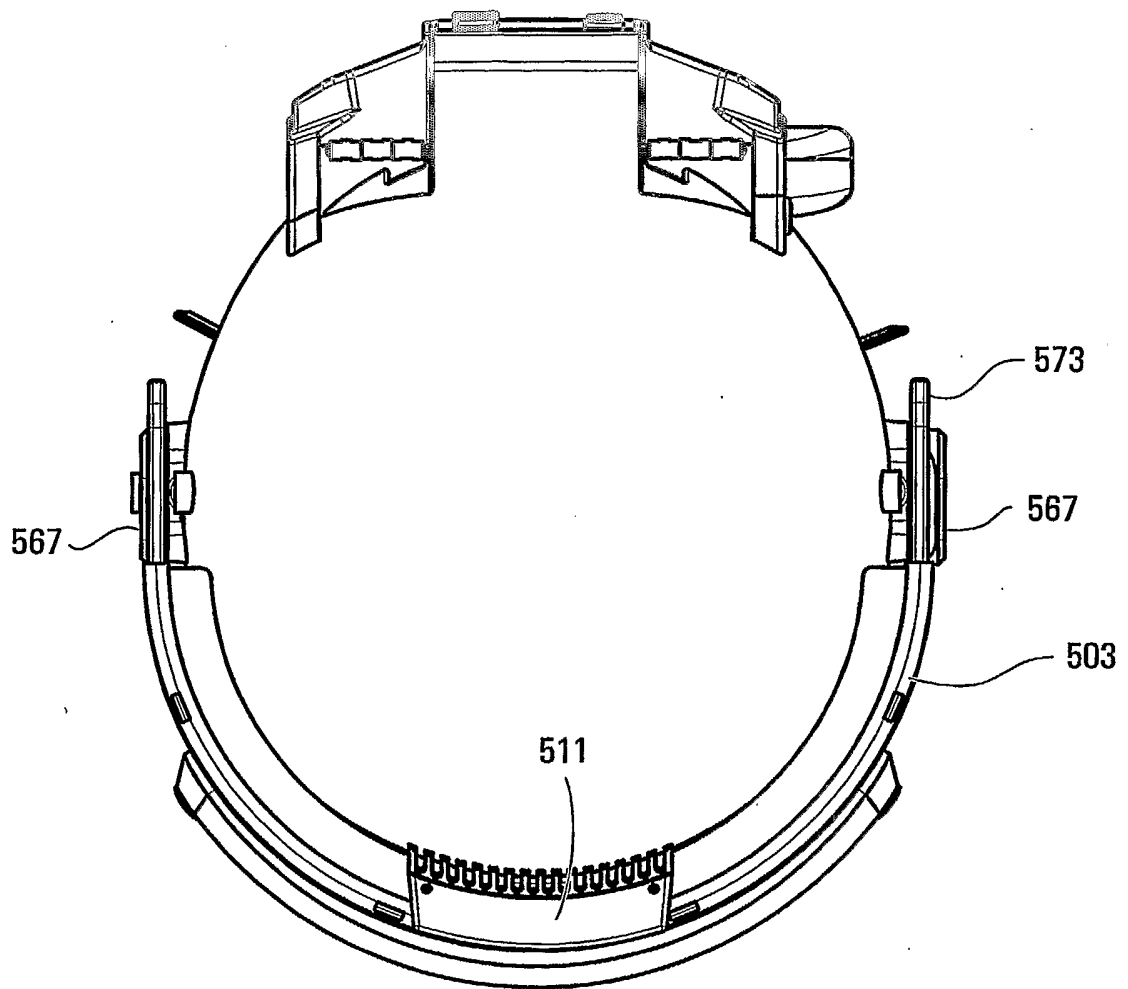
**FIG. 15B**

18/56

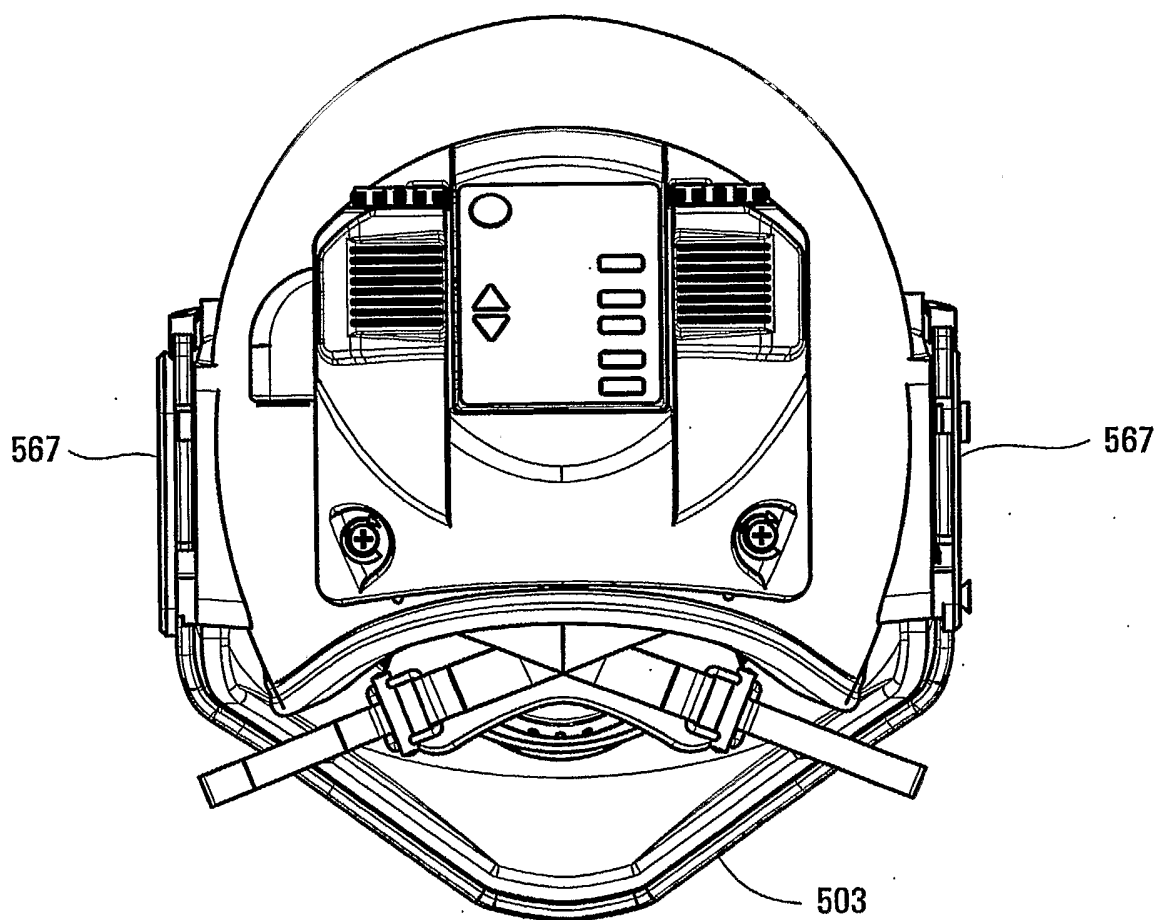


**FIG. 15C**

19/56

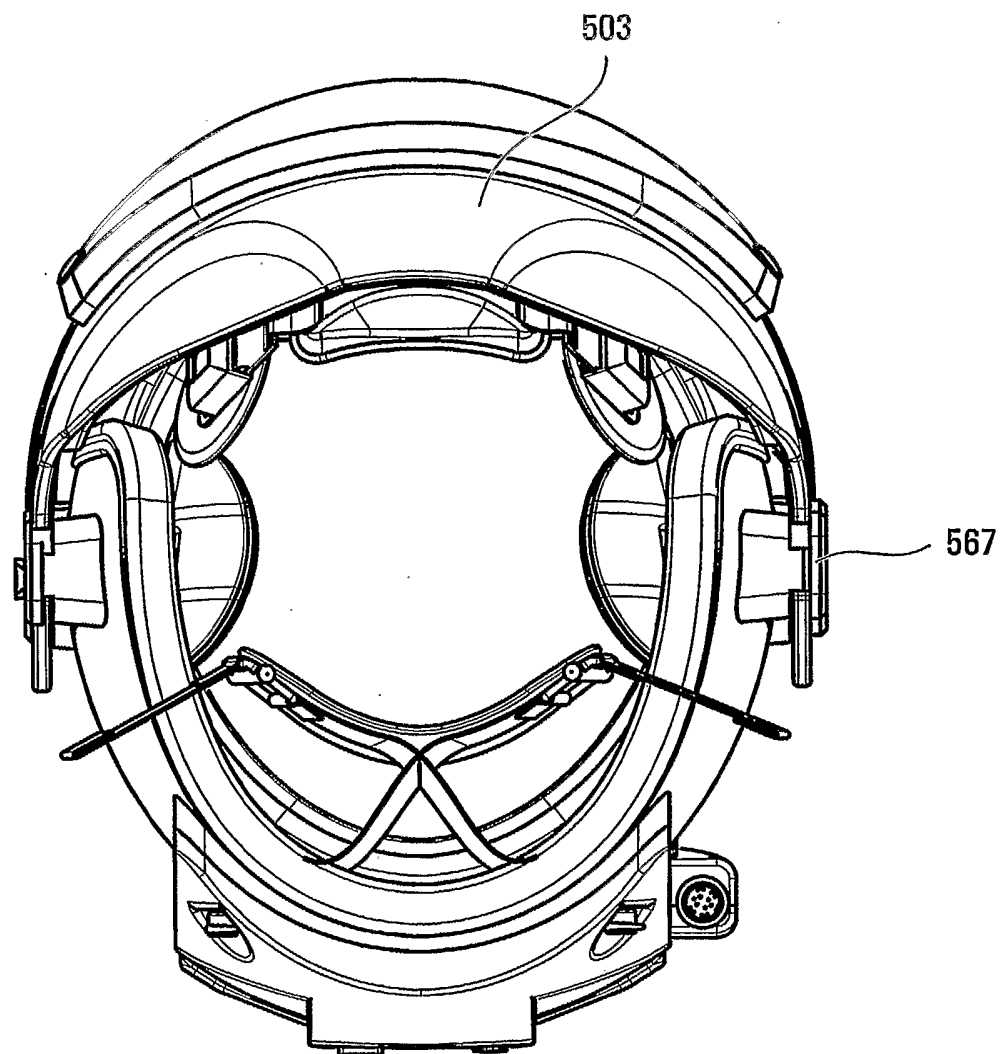


**FIG. 15D**

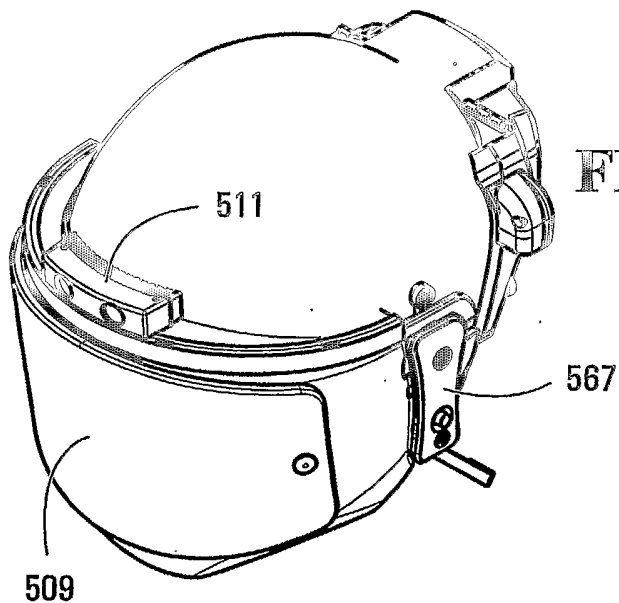


**FIG. 15E**

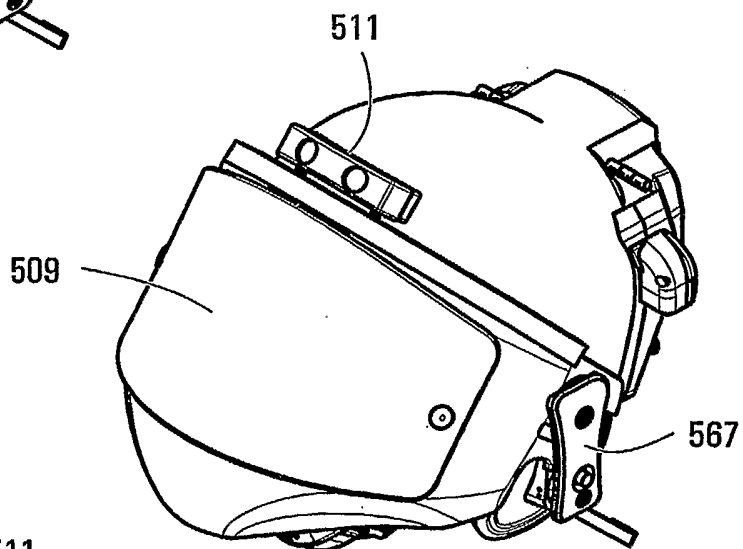
21/56



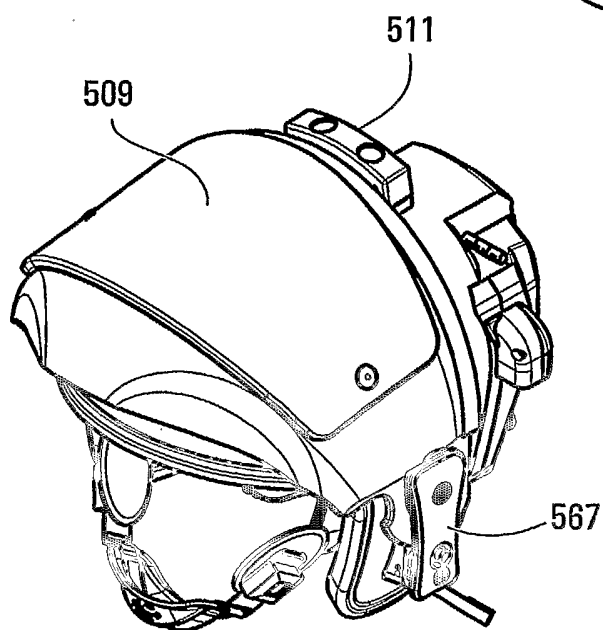
**FIG. 15F**



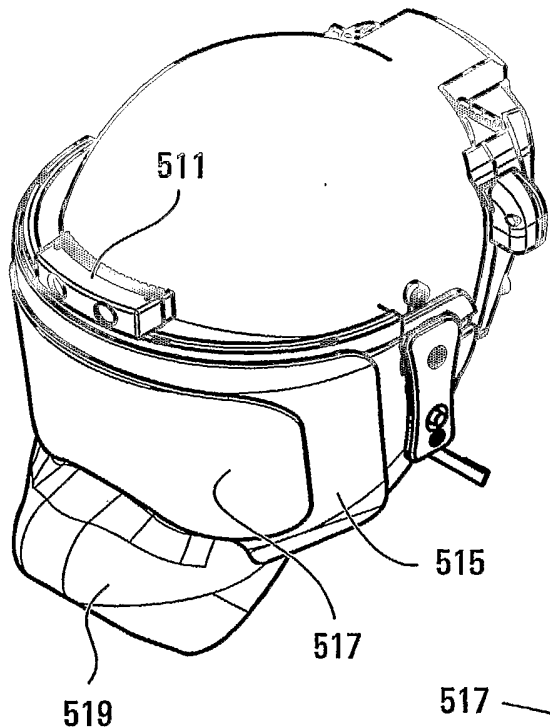
**FIG. 16.1**



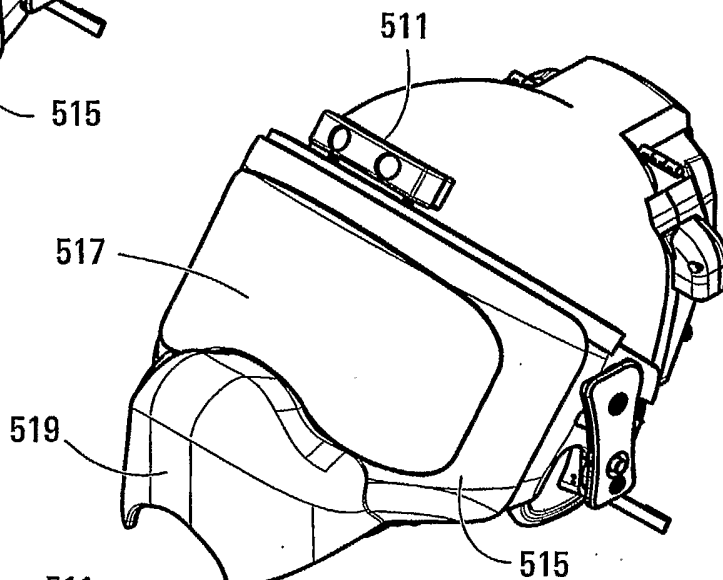
**FIG. 16.2**



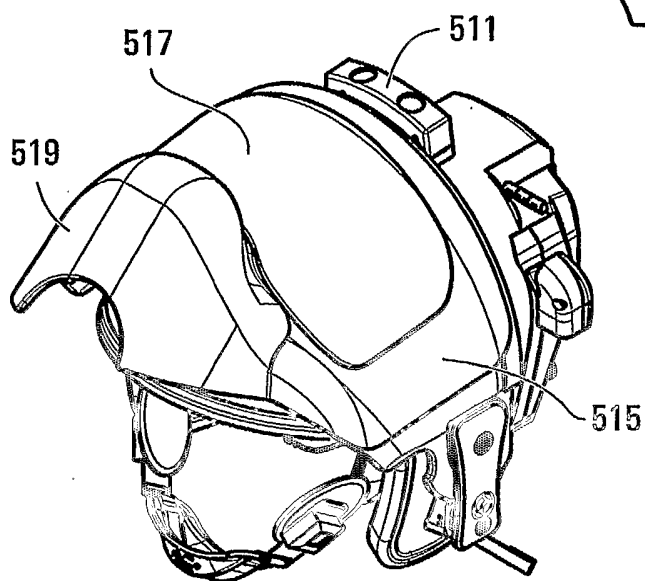
**FIG. 16.3**



**FIG. 17A.1**

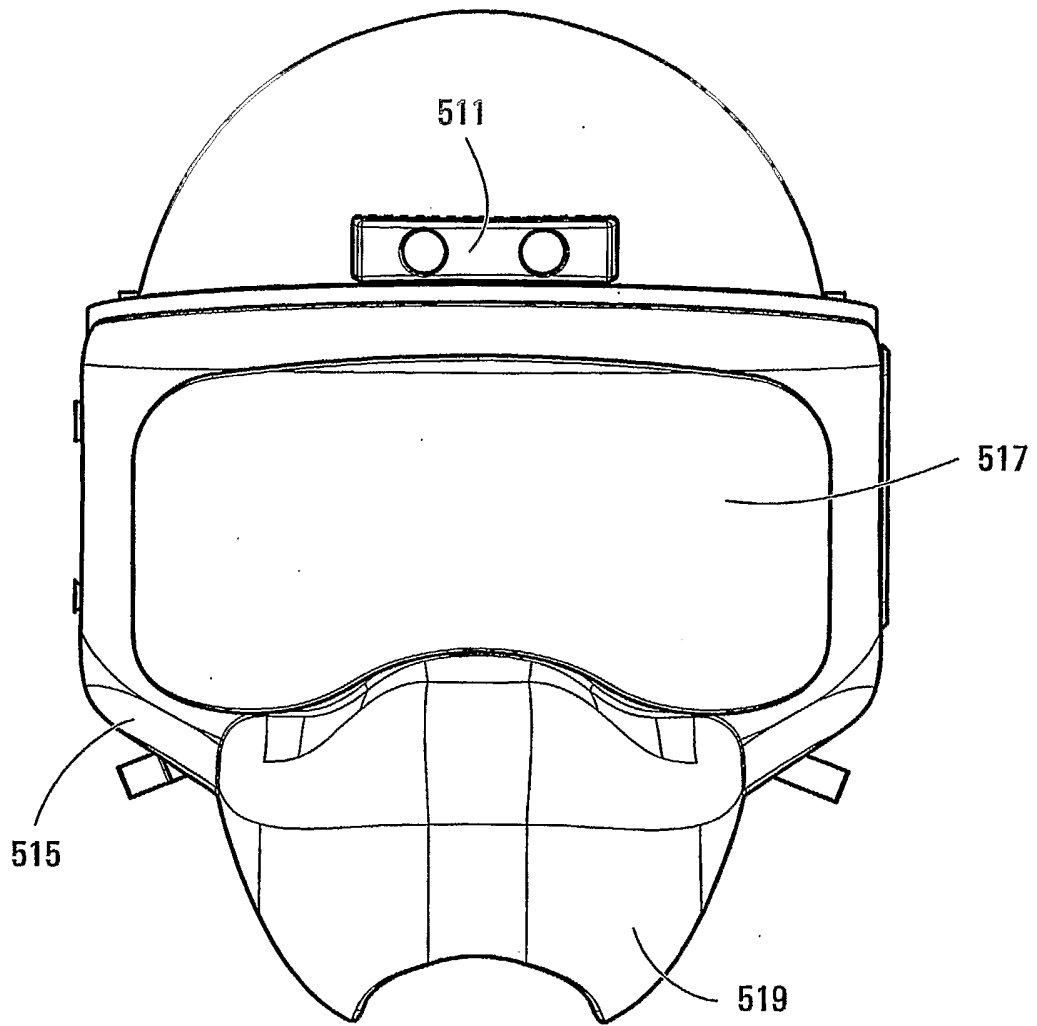


**FIG. 17A.2**



**FIG. 17A.3**

24/56



**FIG. 17B**

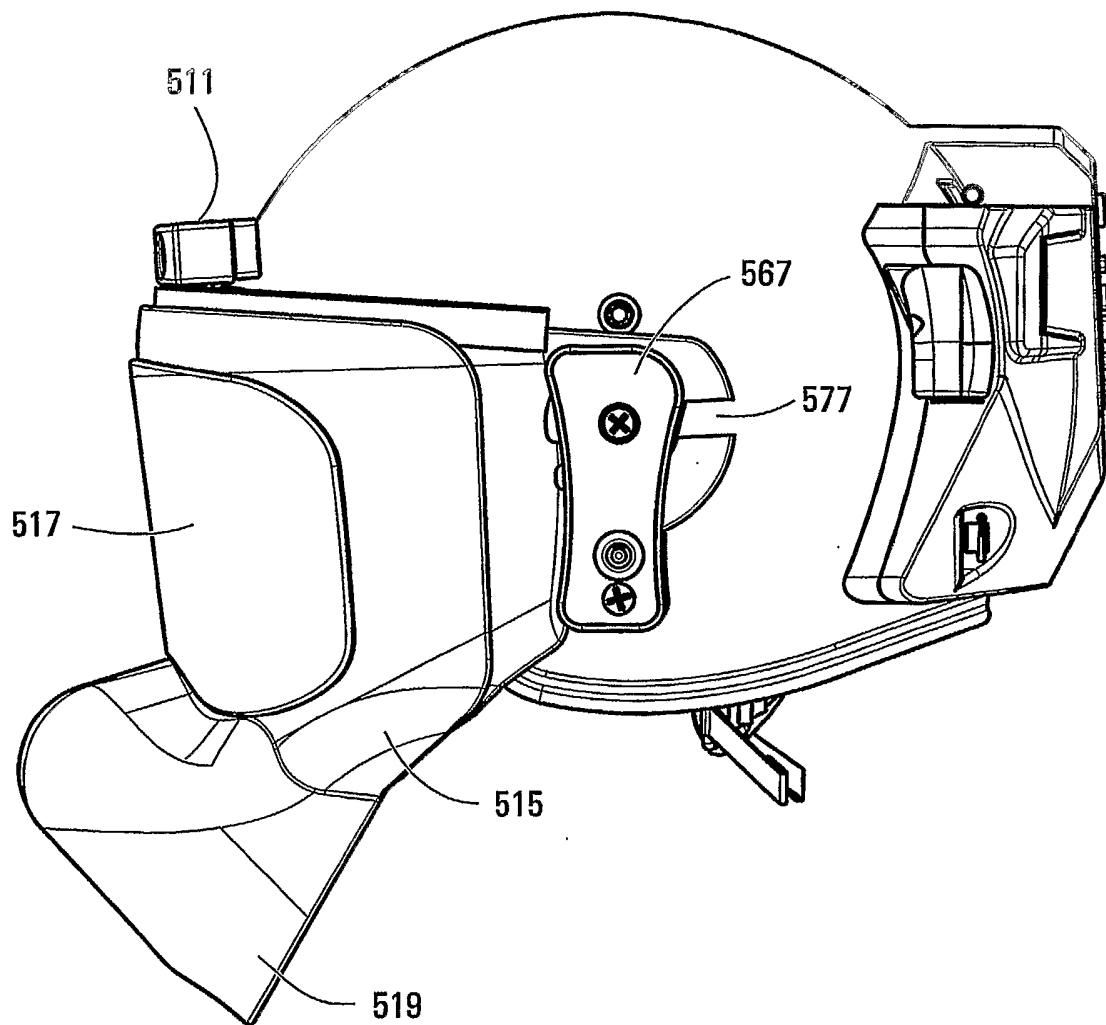


FIG. 17C

26/56

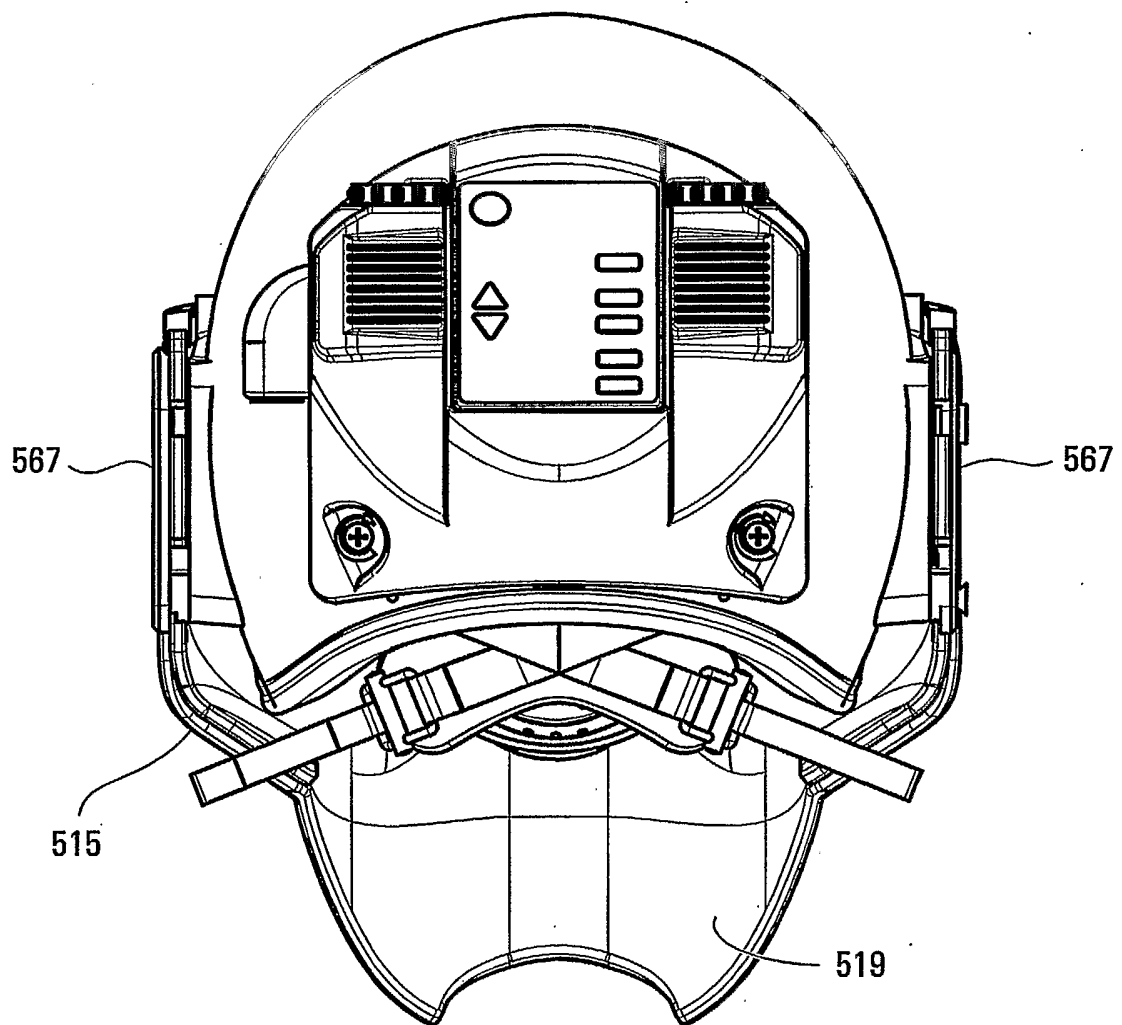
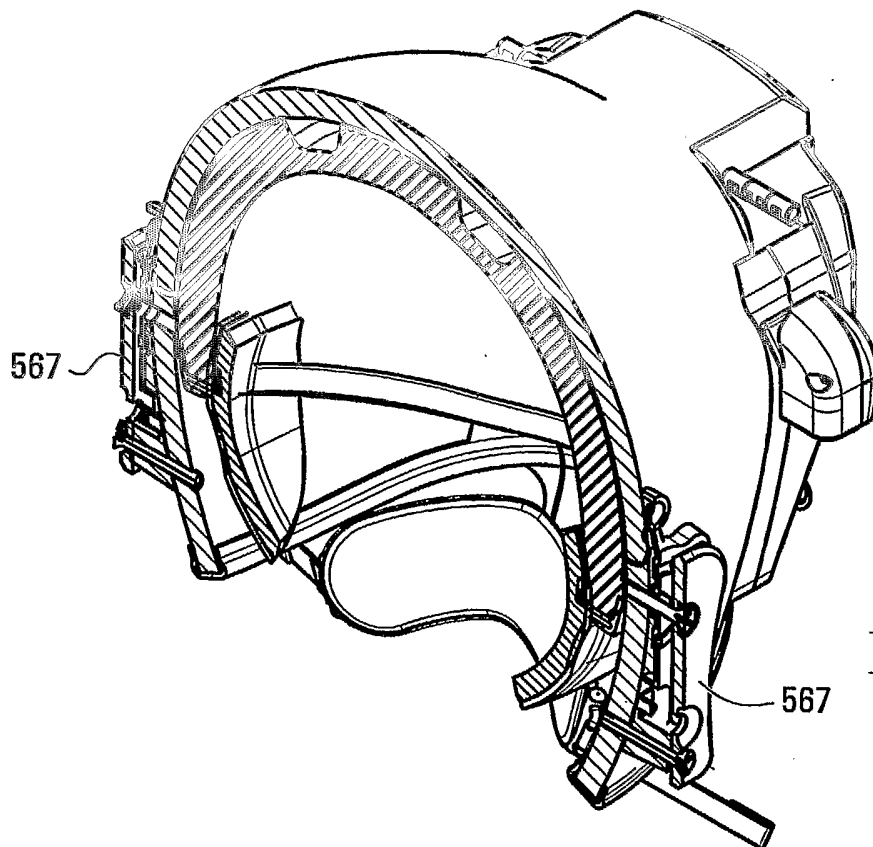
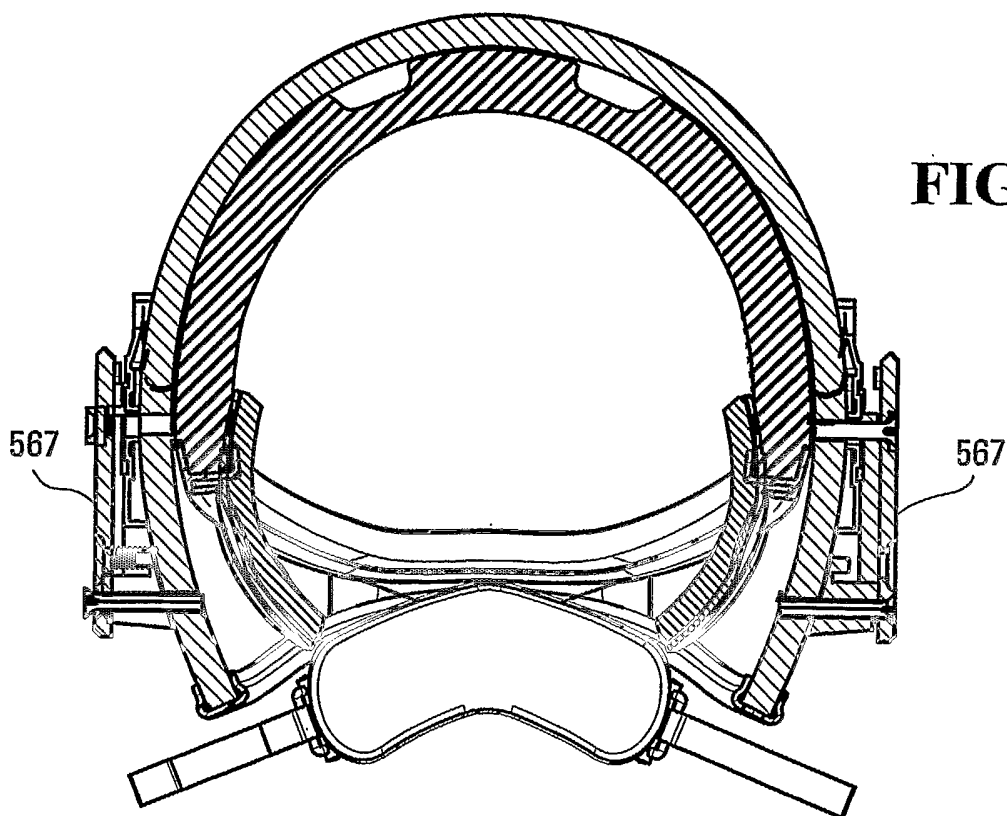


FIG. 17D

27/56

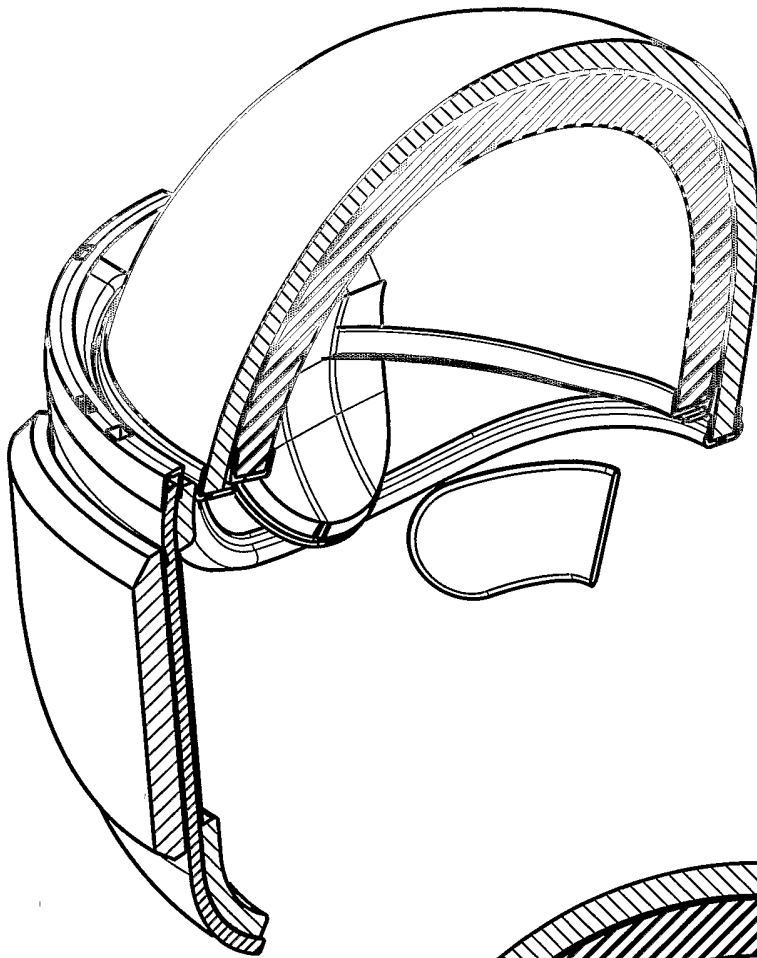


**FIG. 18A**

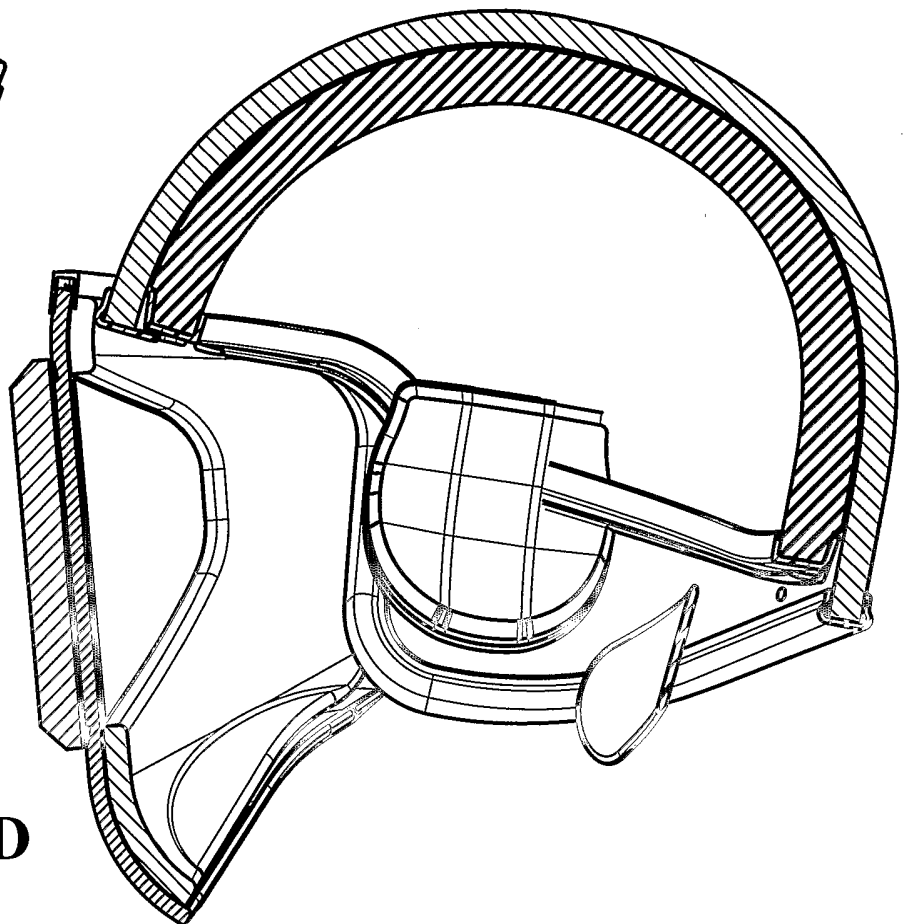


**FIG. 18B**

28/56



**FIG. 18C**



**FIG. 18D**

29/56

FIG. 19

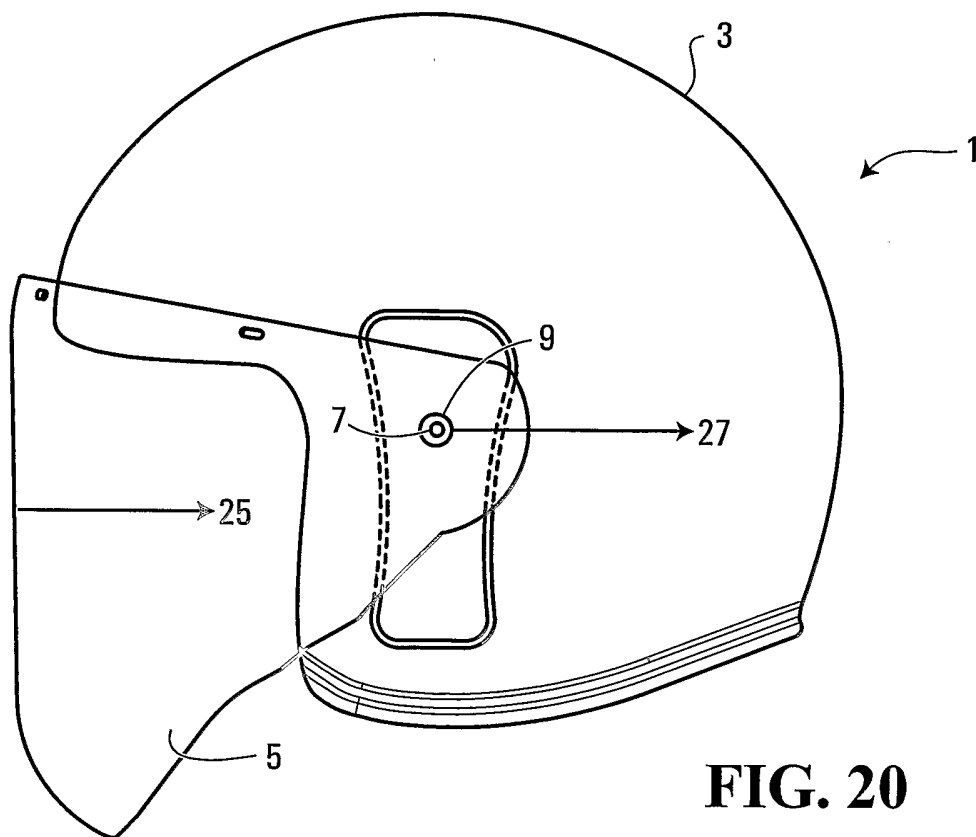
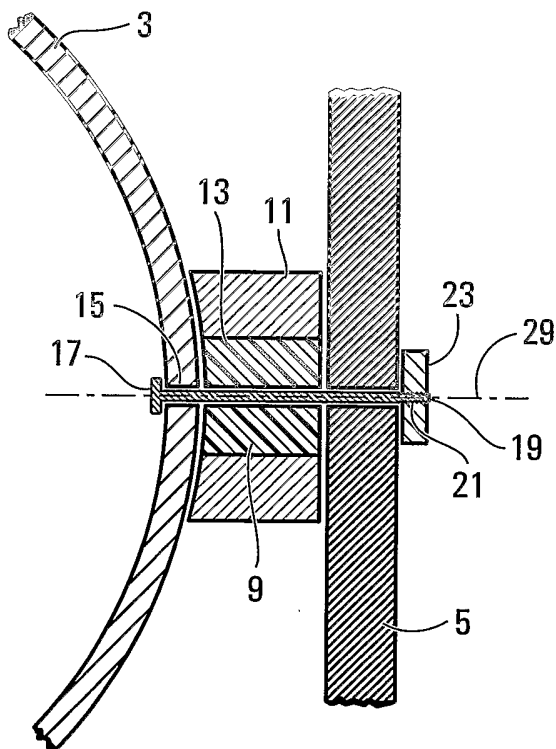
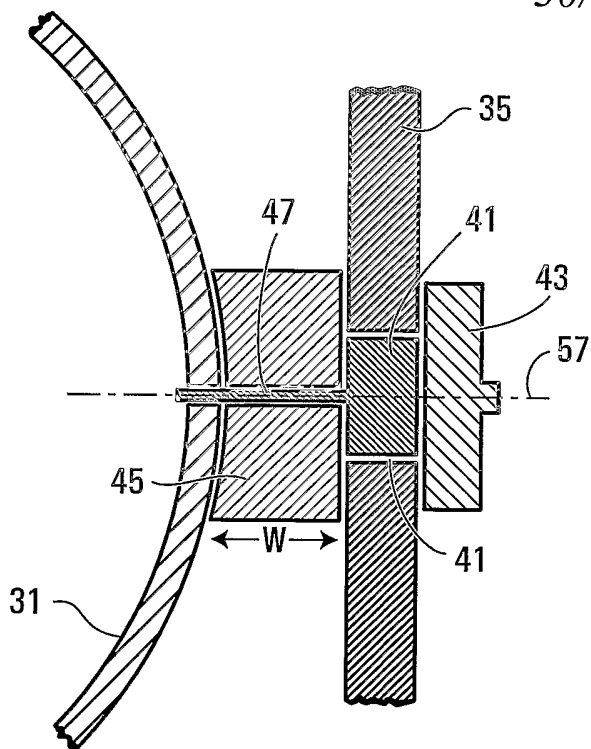
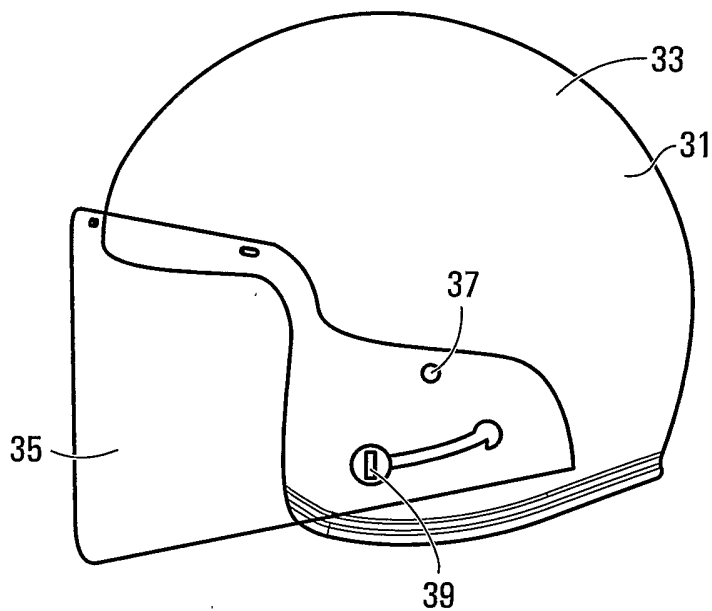


FIG. 20

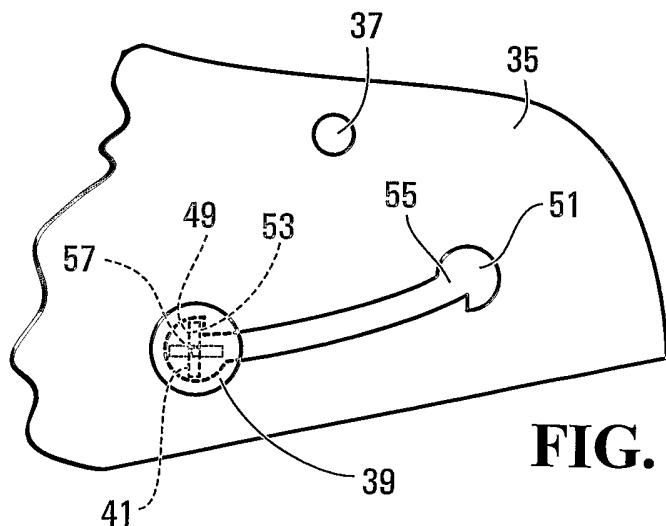
30/56



**FIG. 21C**



**FIG. 21A**



**FIG. 21B**

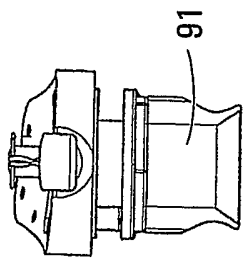


FIG. 22A

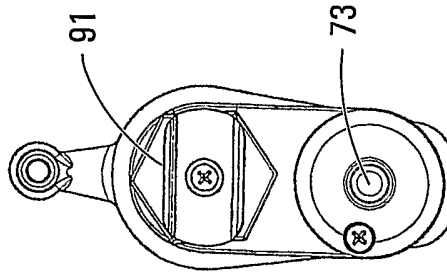


FIG. 22B

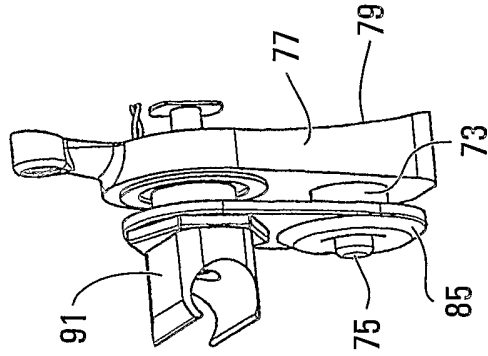


FIG. 22D

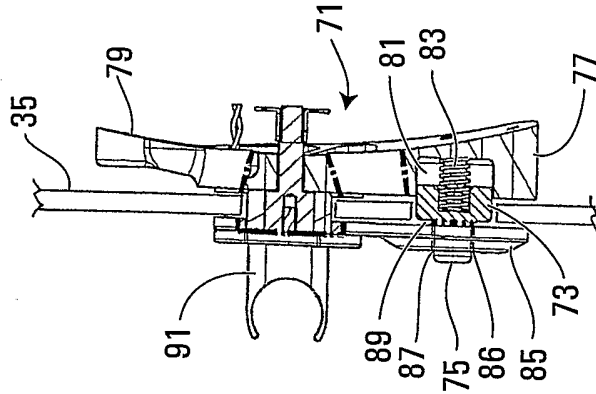


FIG. 22C

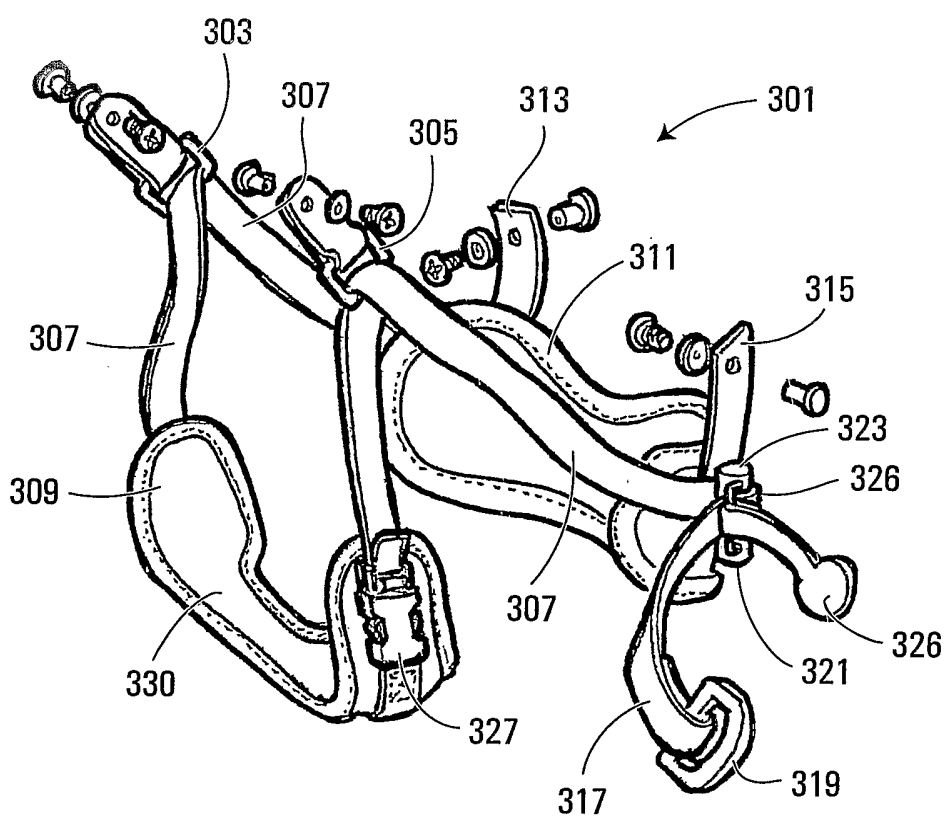
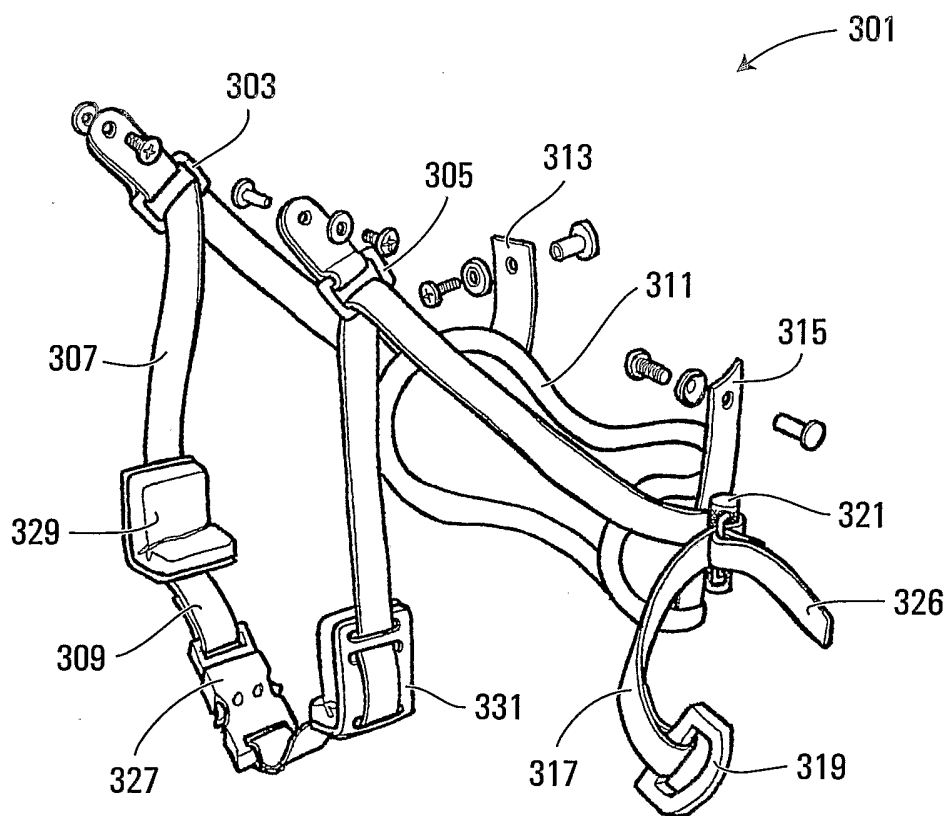
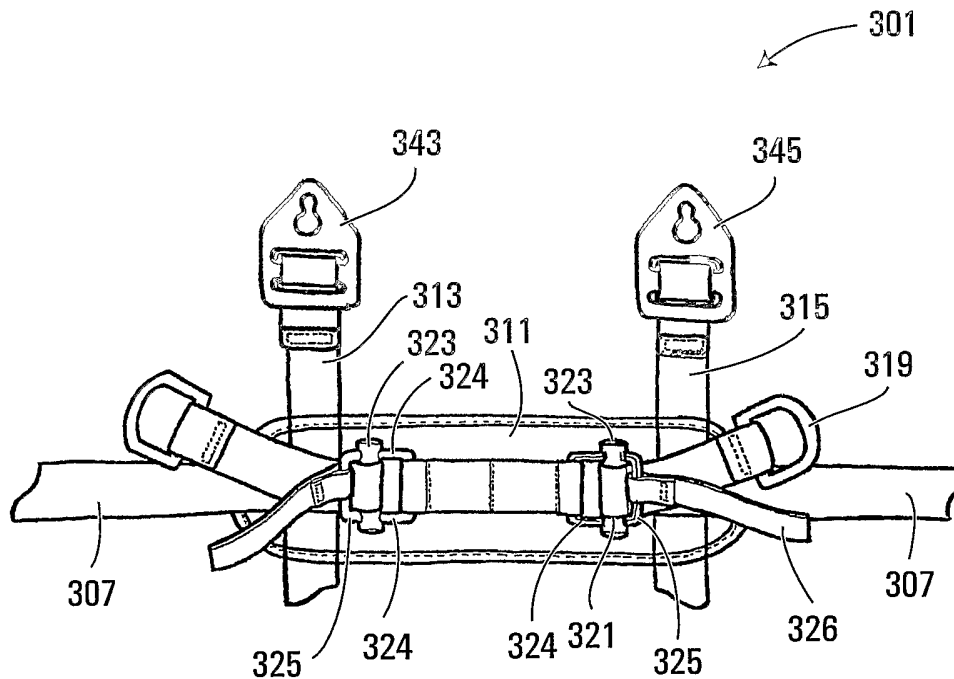


FIG. 23A

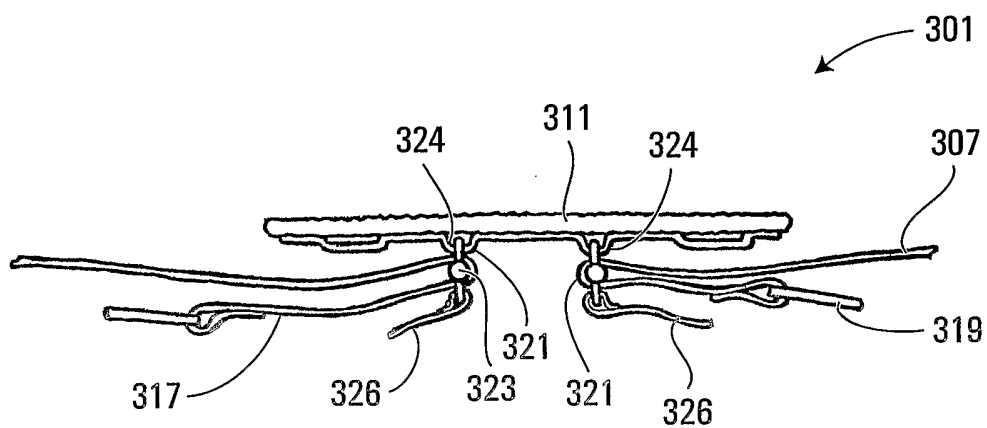




**FIG. 23C**



**FIG. 23D**



**FIG. 23E**

36/56

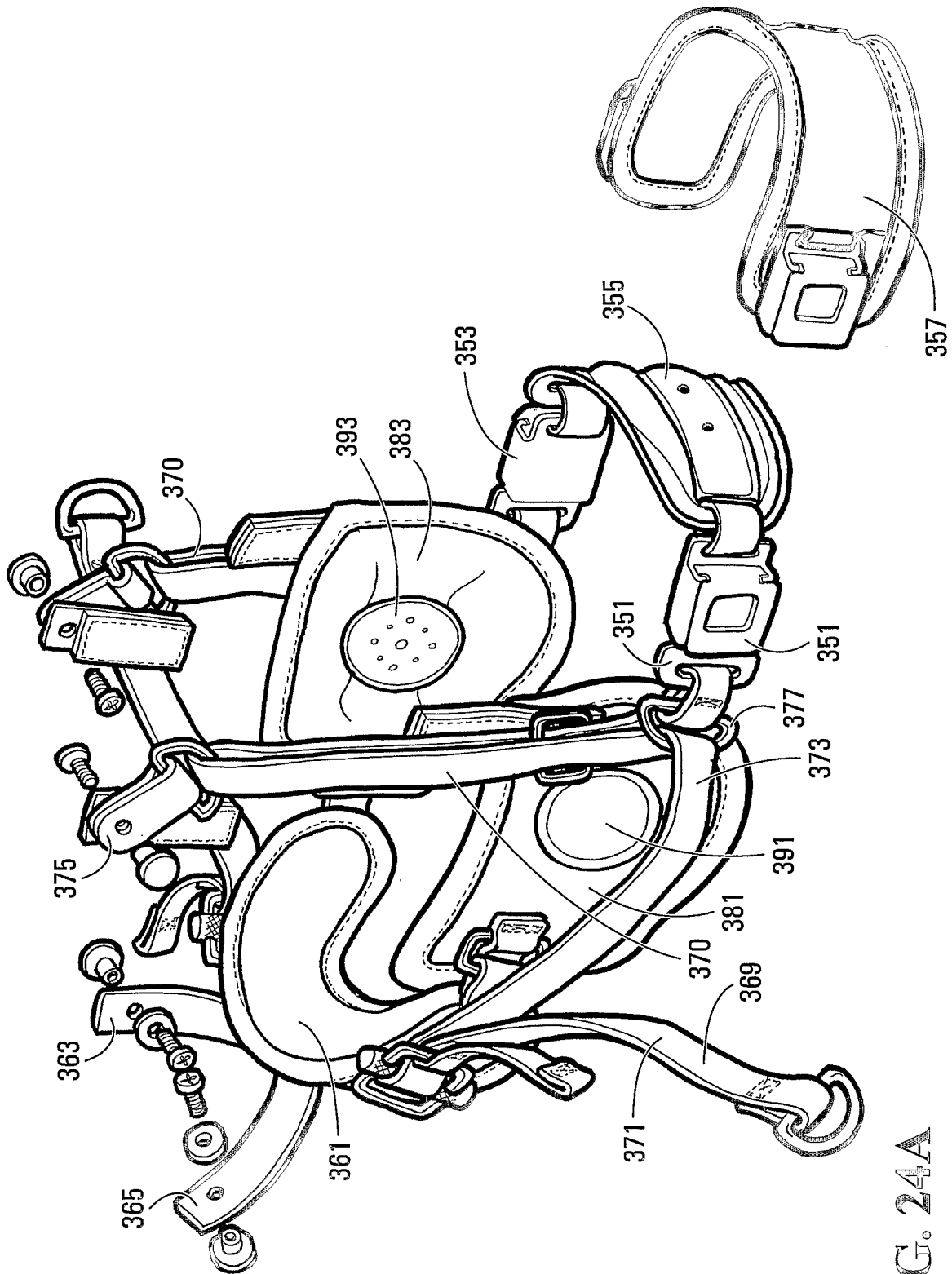
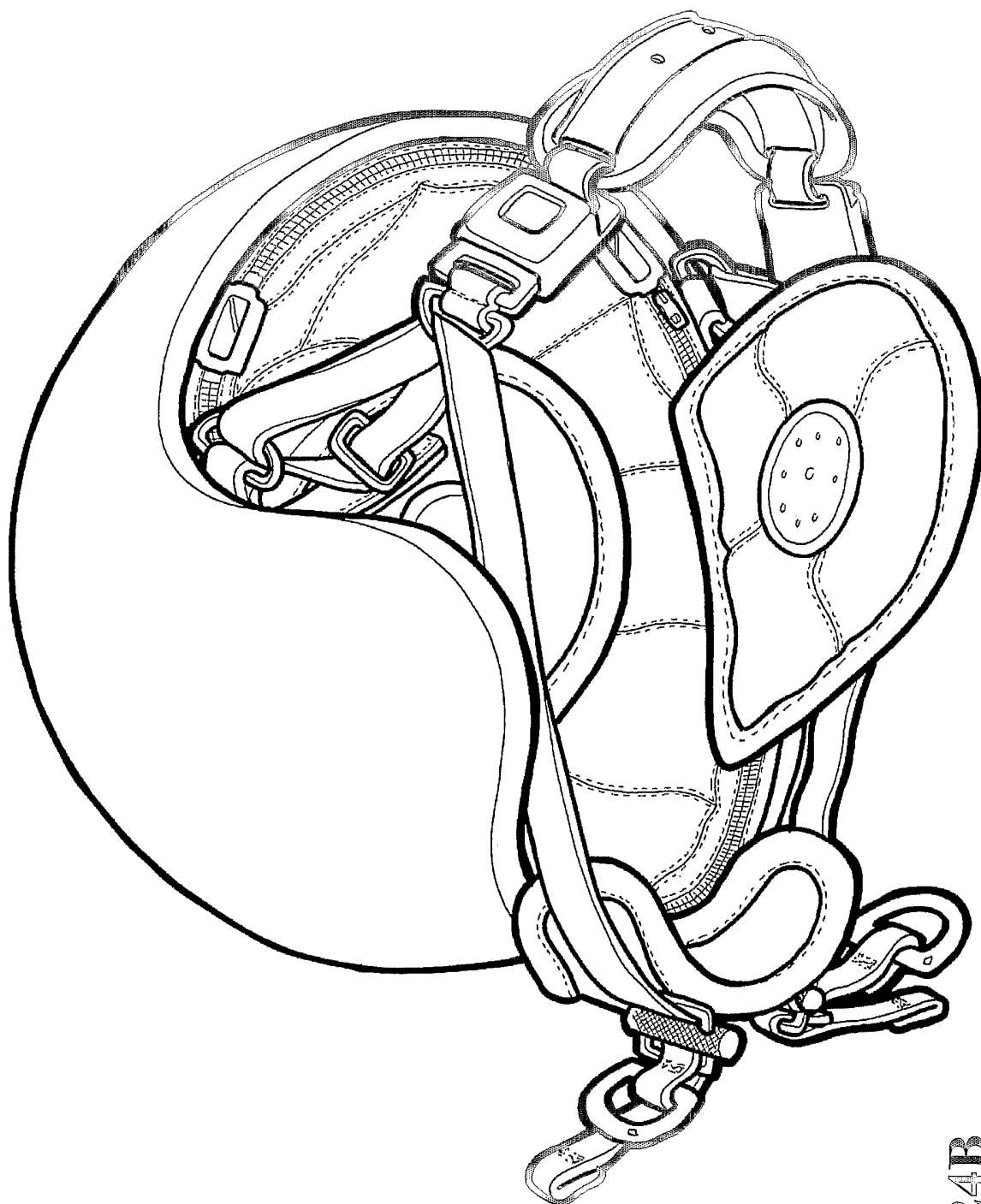


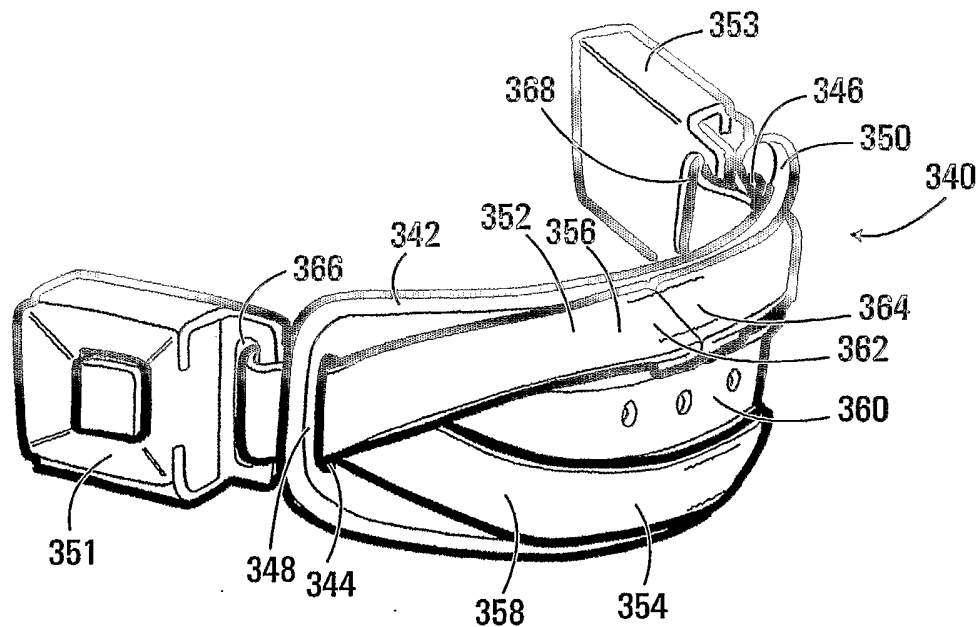
FIG. 24A

37/56

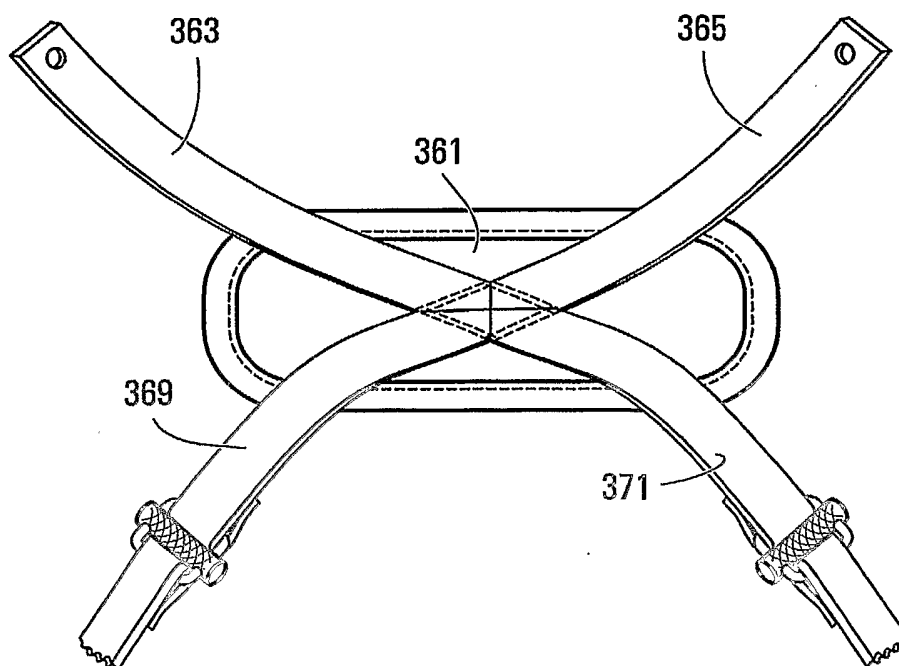


**FIG. 24B**

38/56



**FIG. 24C**



**FIG. 24D**

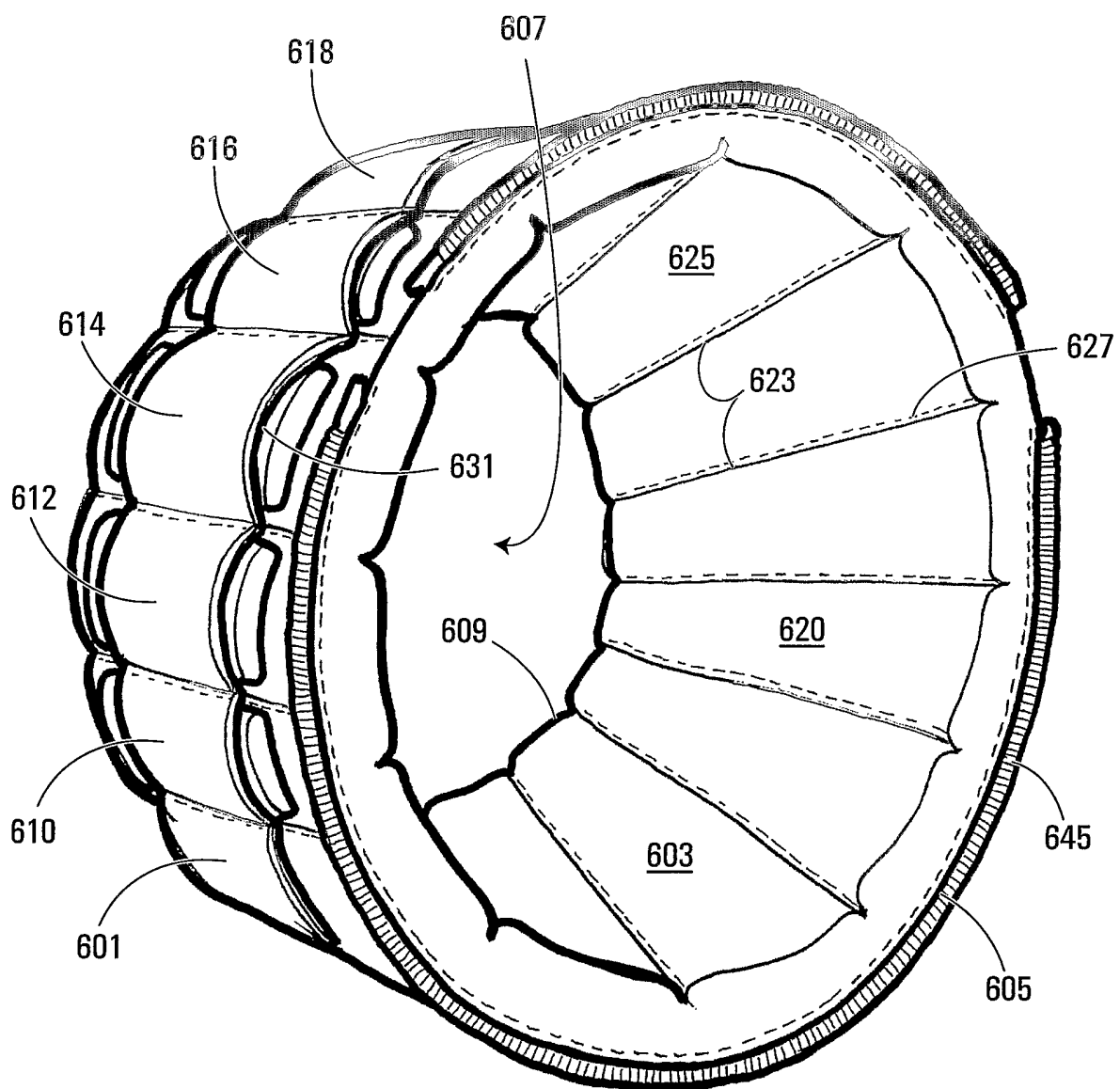
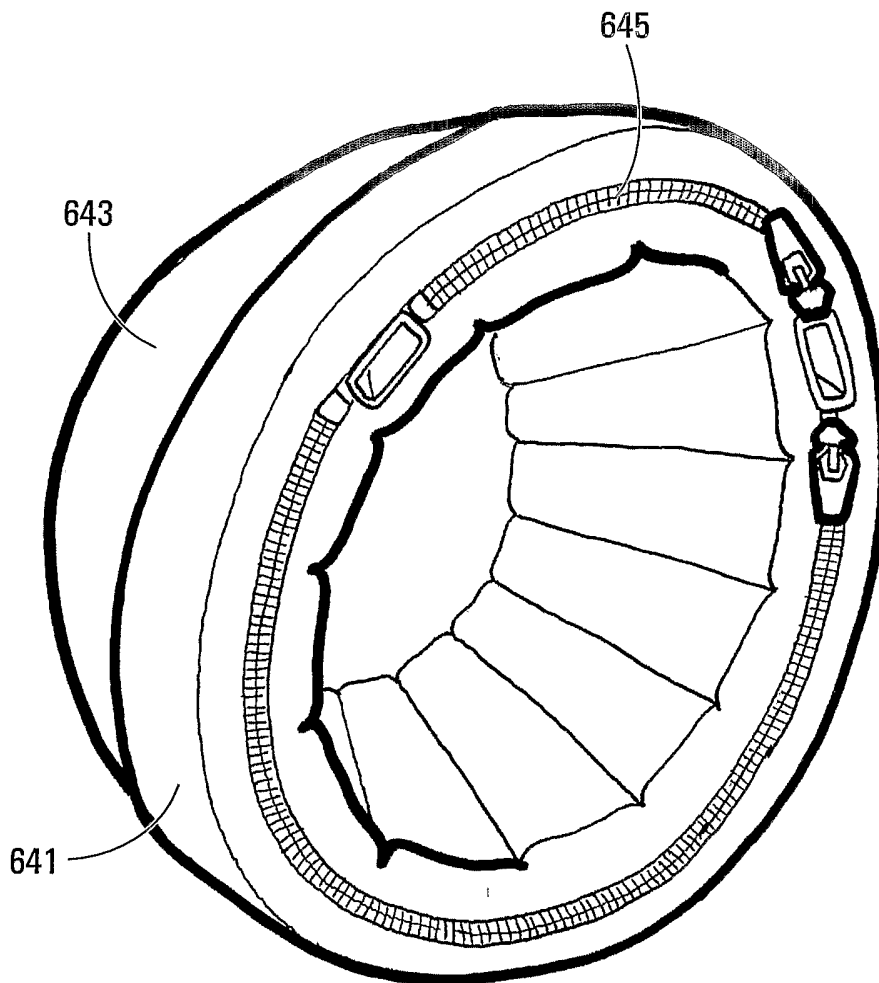


FIG. 25A

40/56



**FIG. 25B**

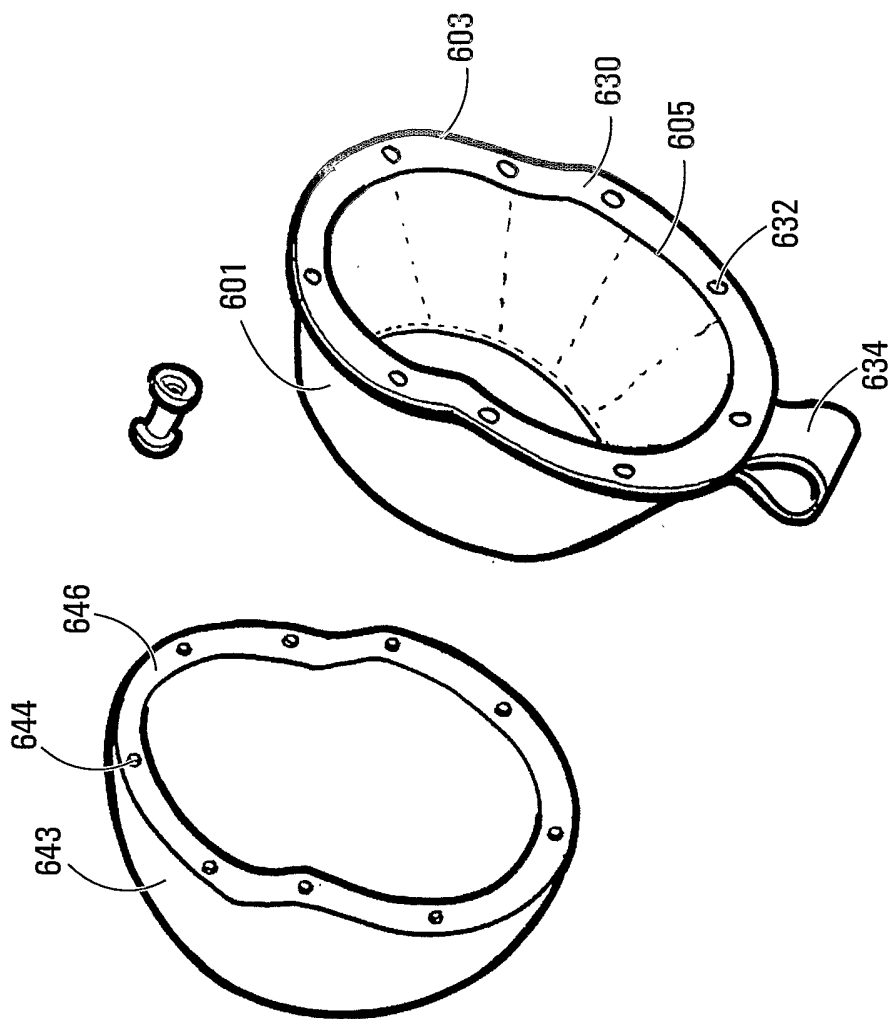


FIG. 25C

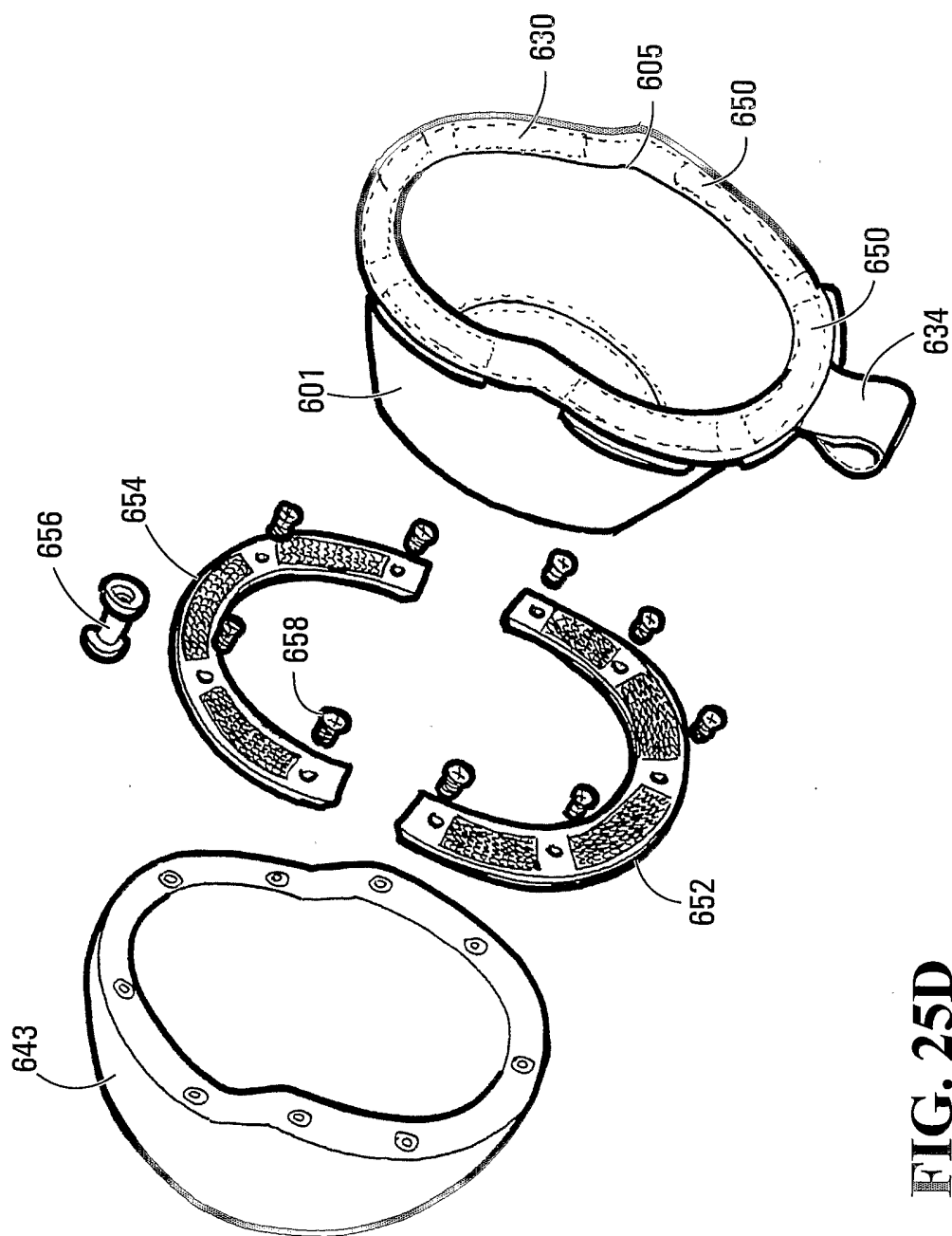
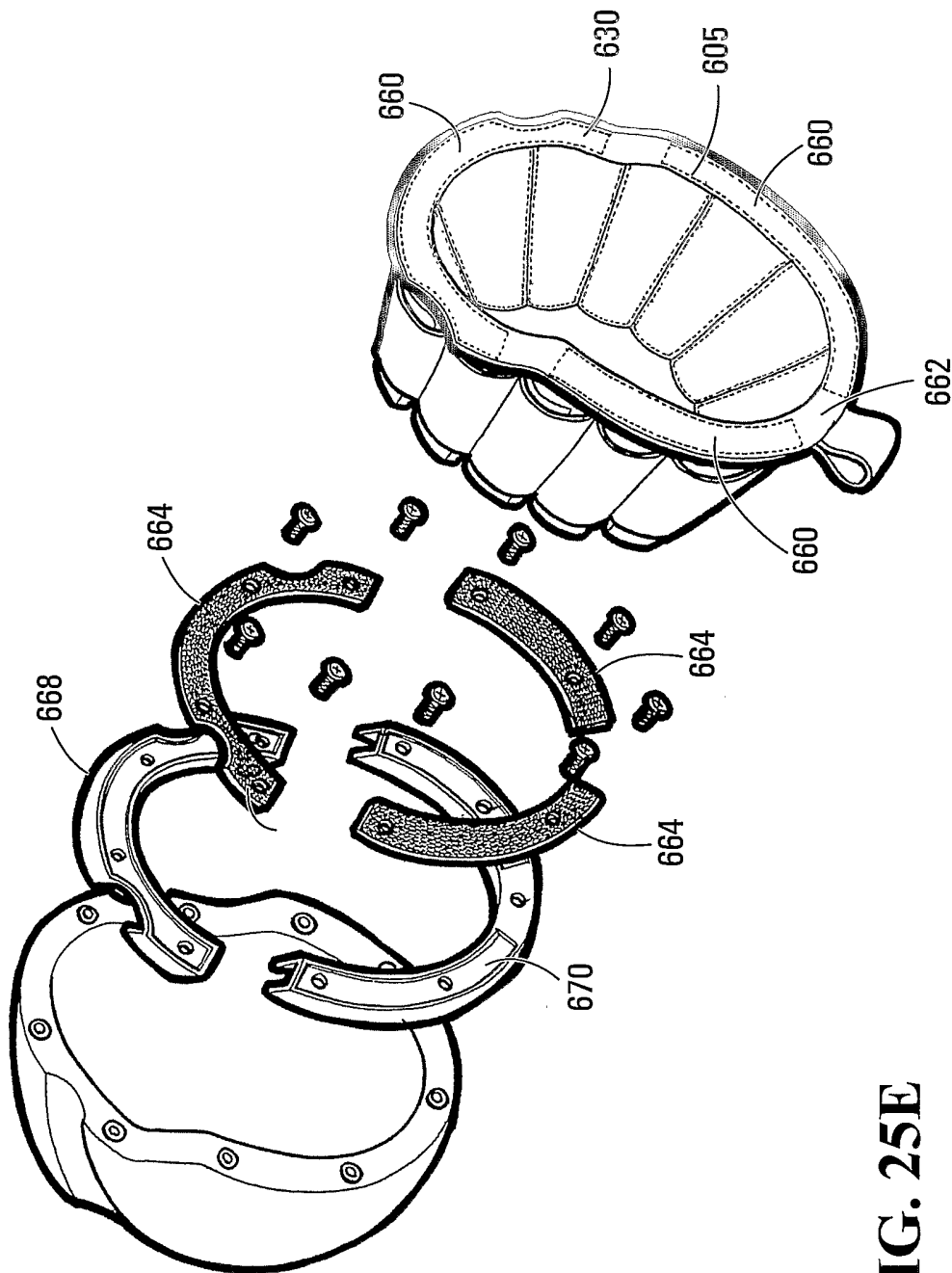
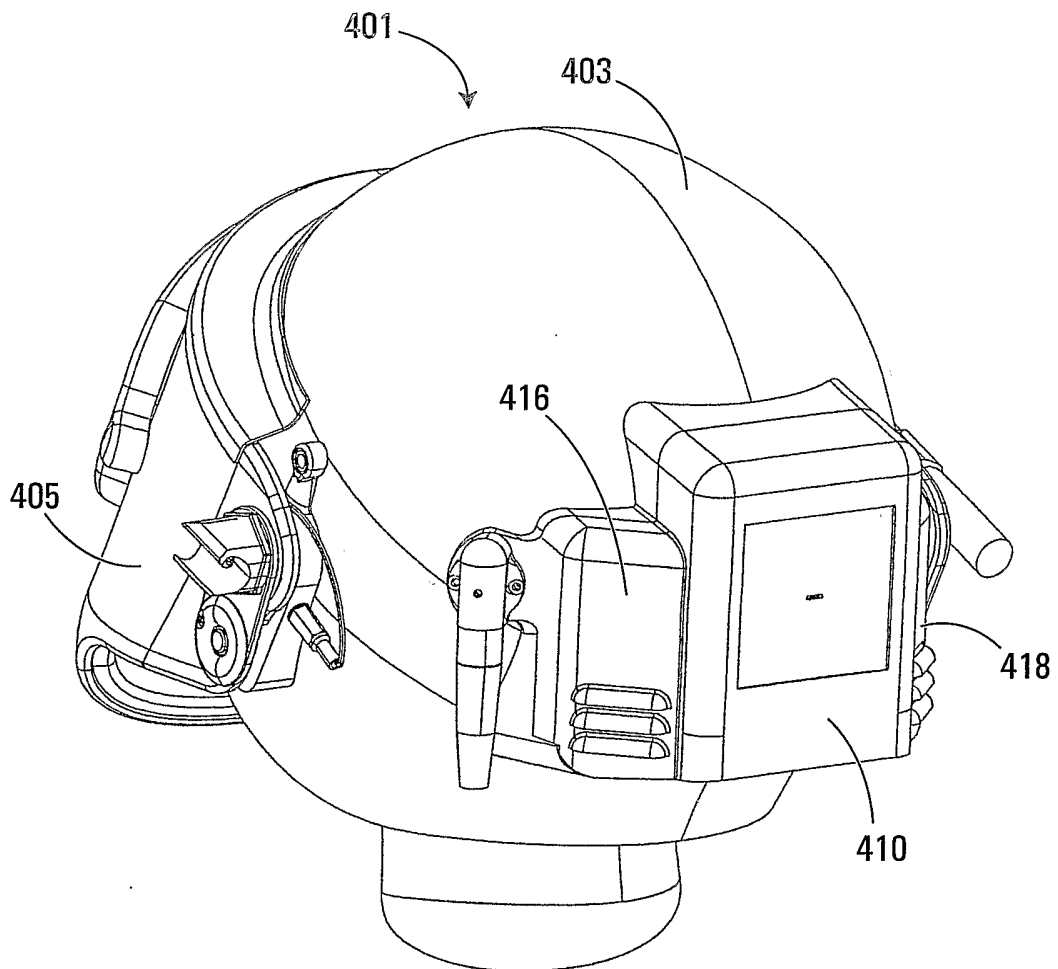


FIG. 25D



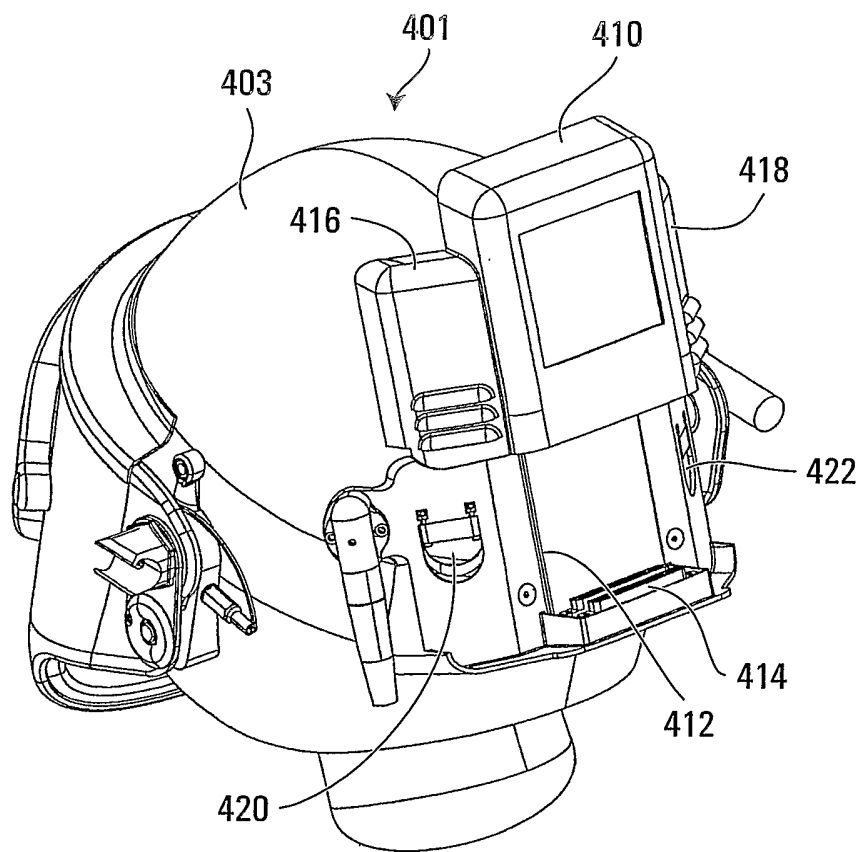
**FIG. 25E**

44/56



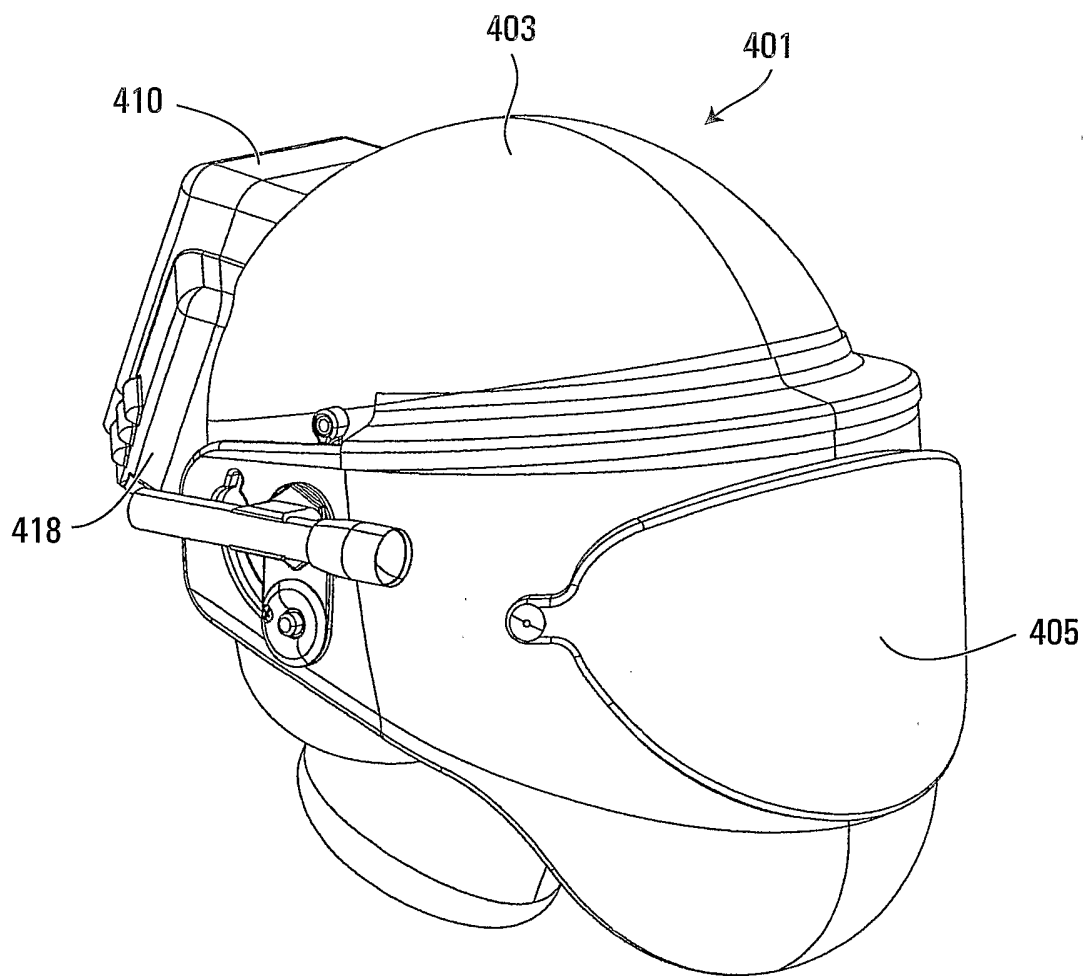
**FIG. 26**

45/56



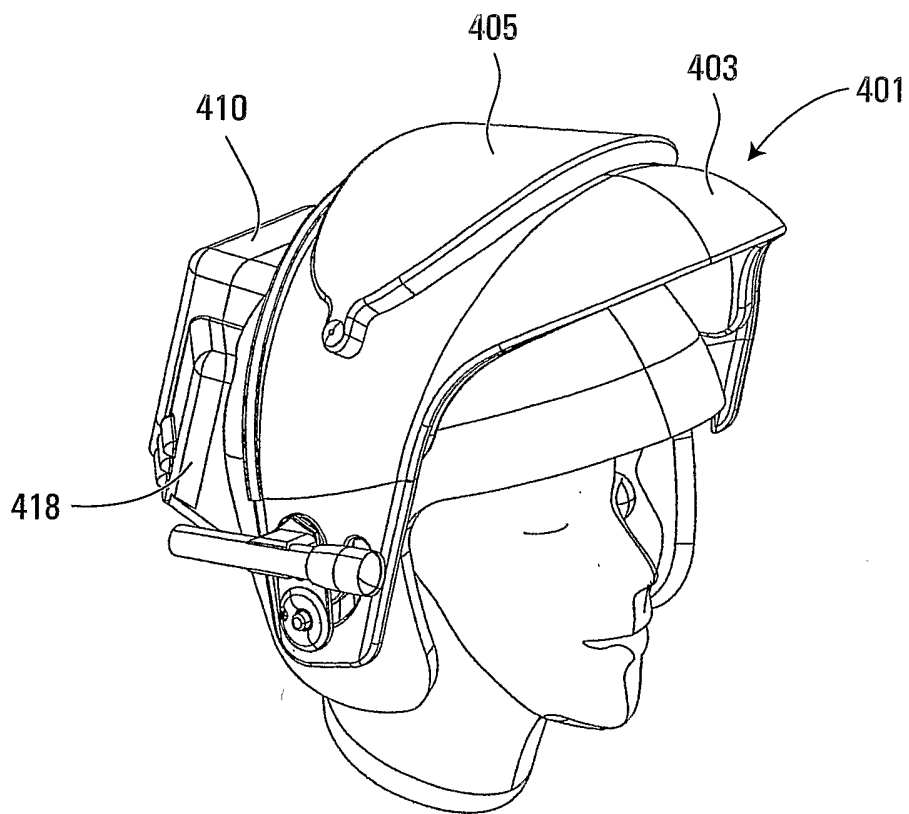
**FIG. 27**

46/56



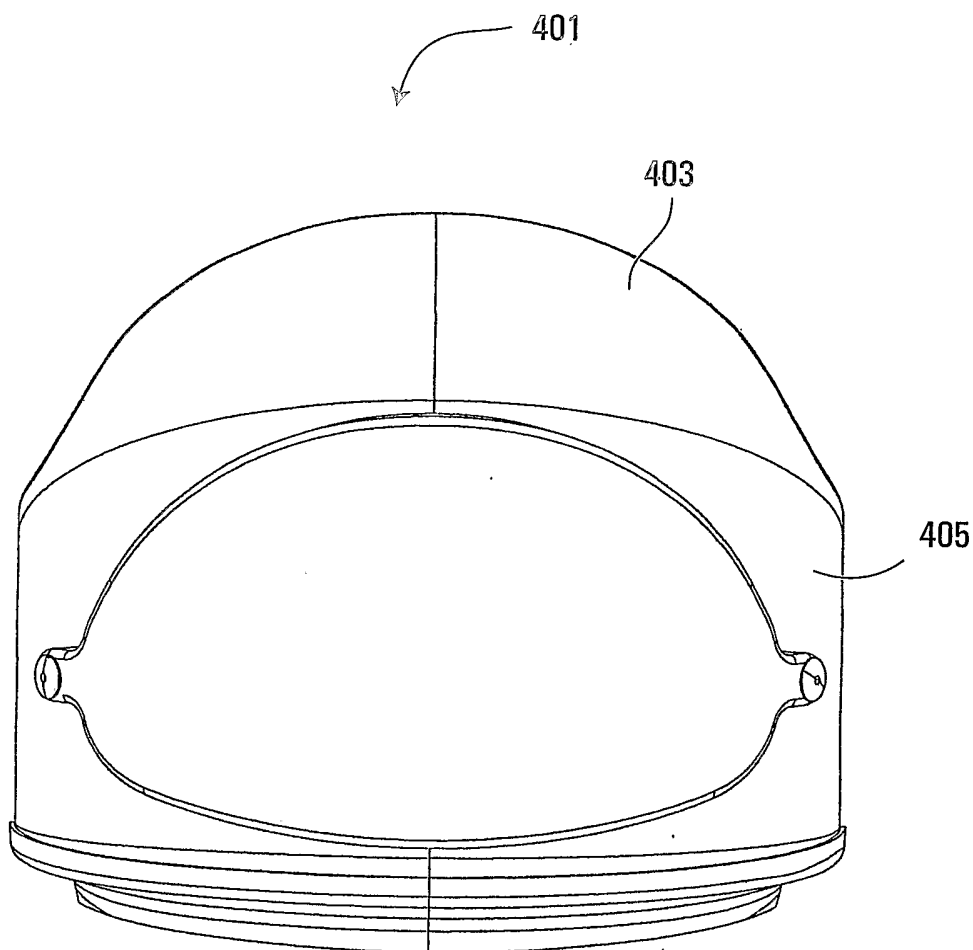
**FIG. 28**

47/56



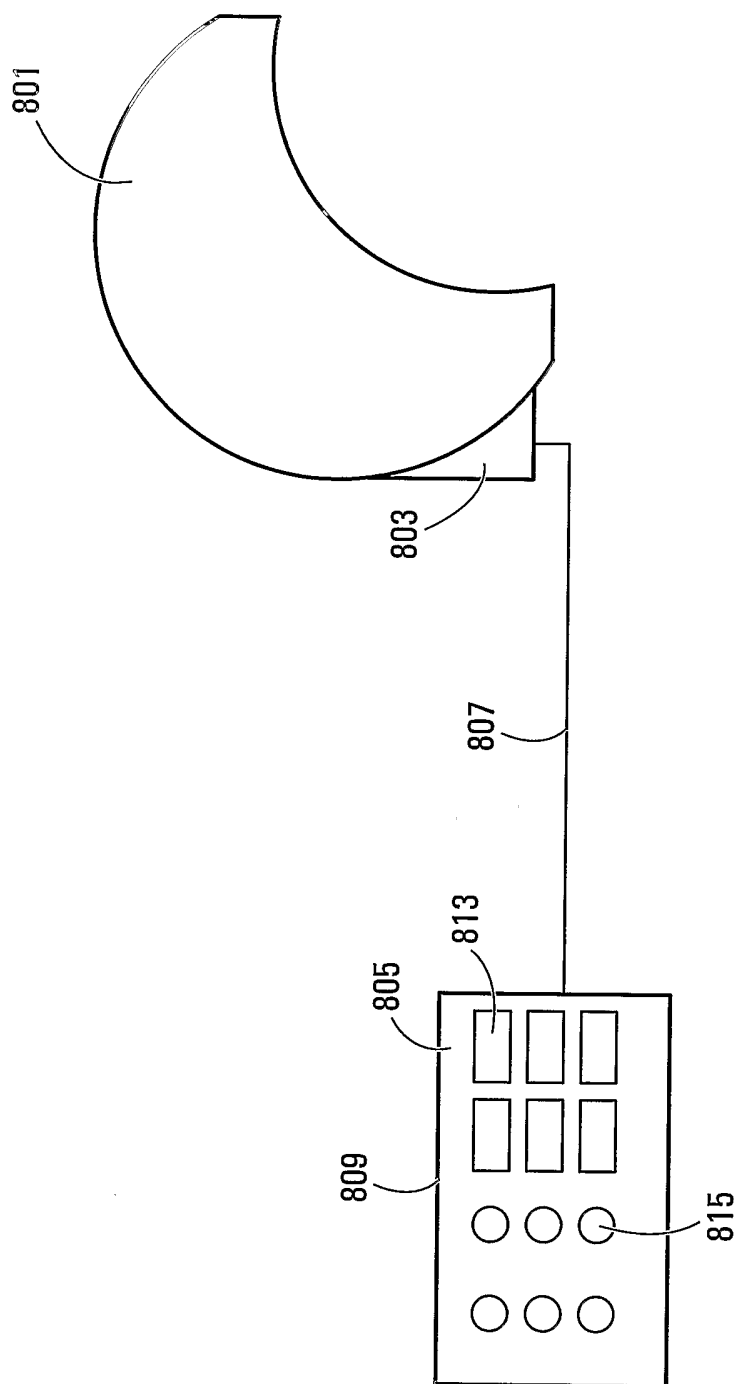
**FIG. 29**

48/56



**FIG. 30**

49/56



**FIG. 31**

50/56

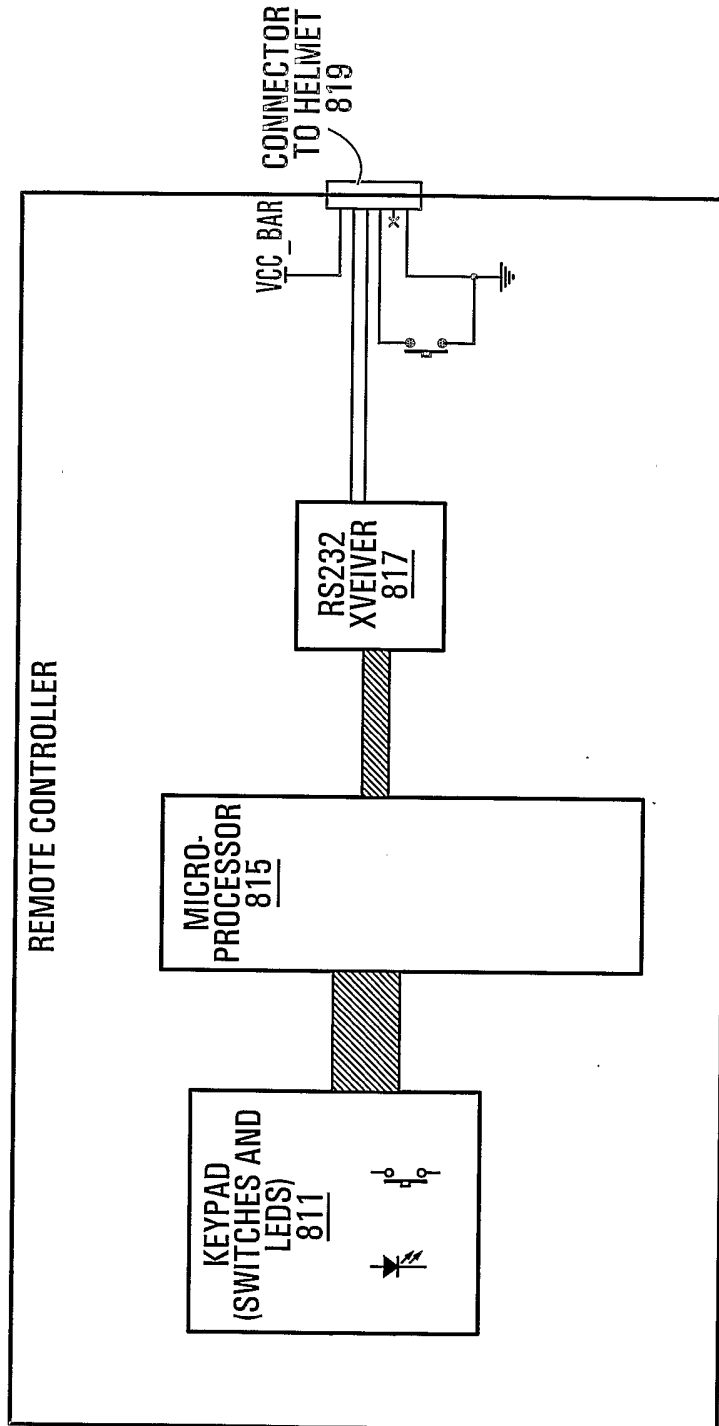


FIG. 32

51/56

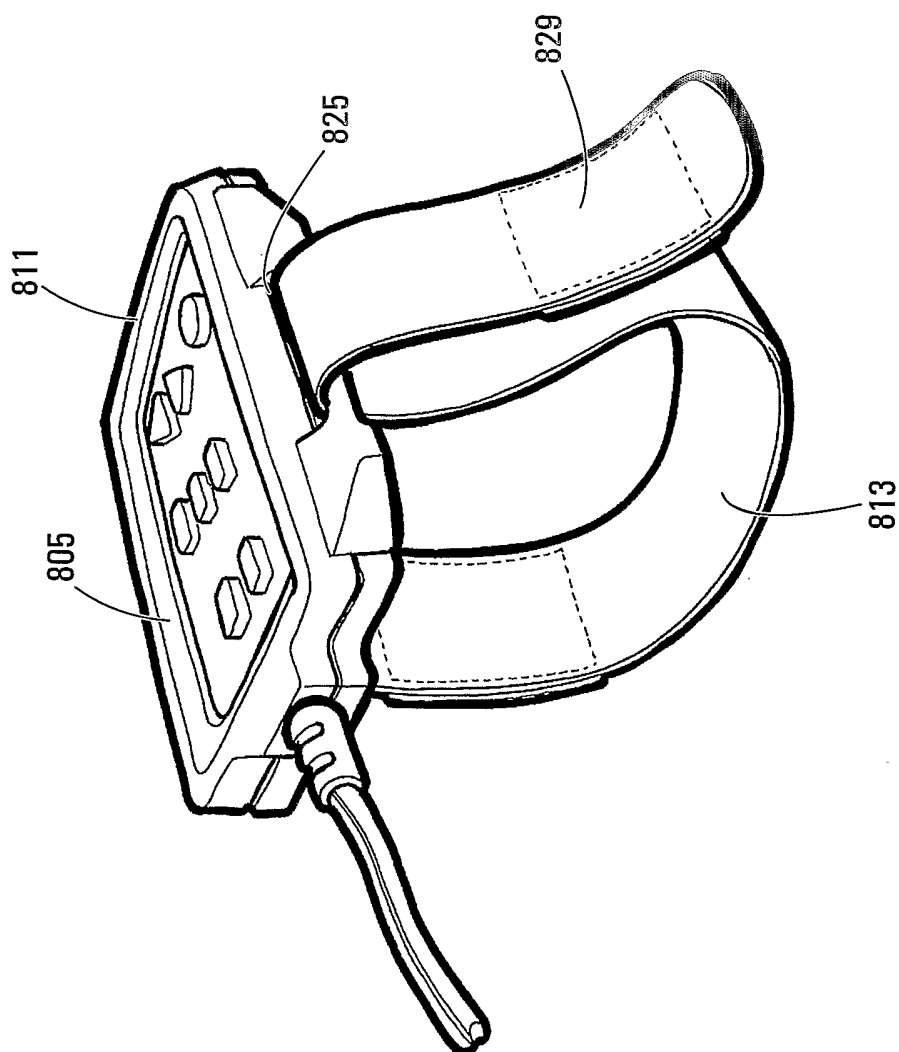


FIG. 33A

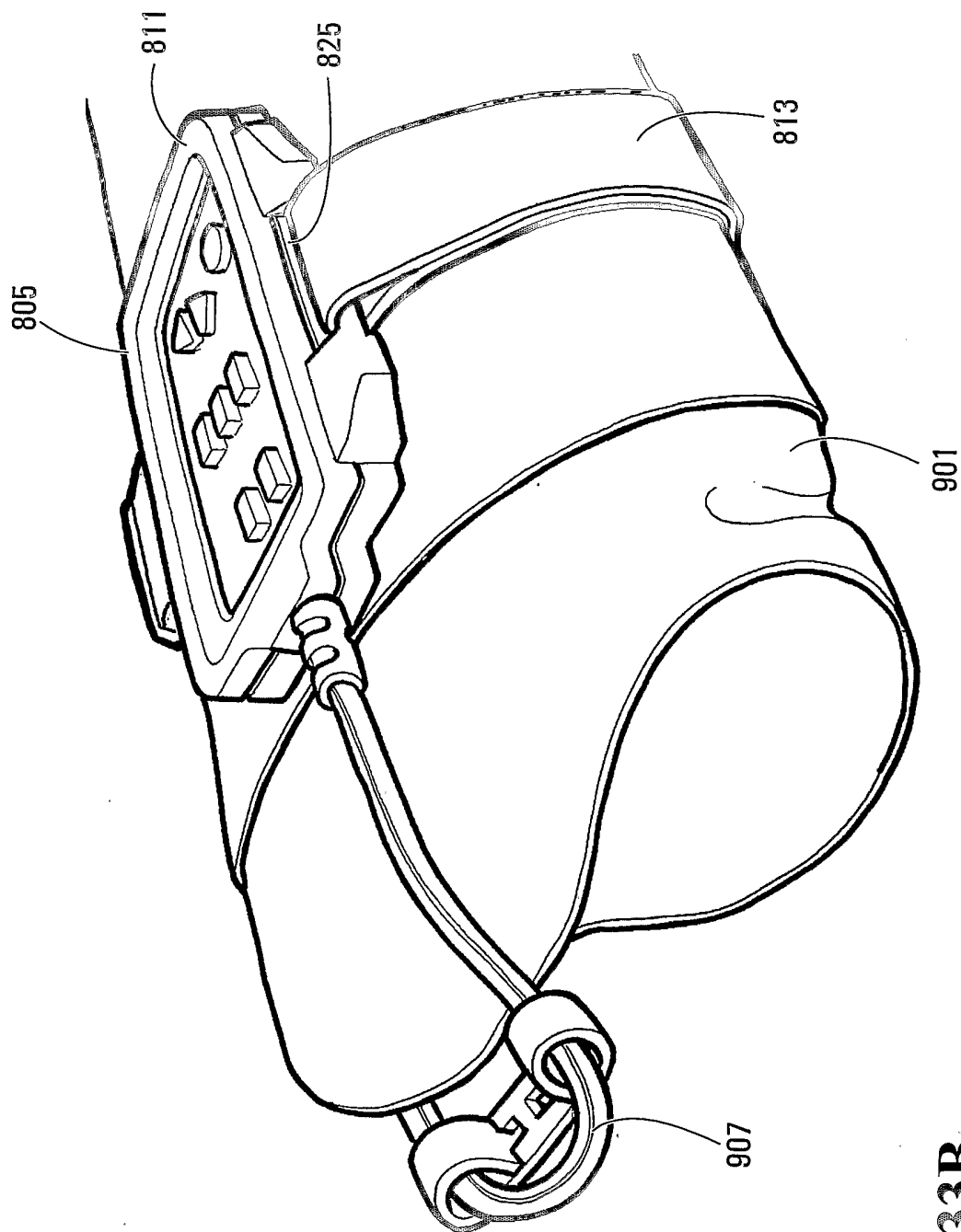


FIG. 33B

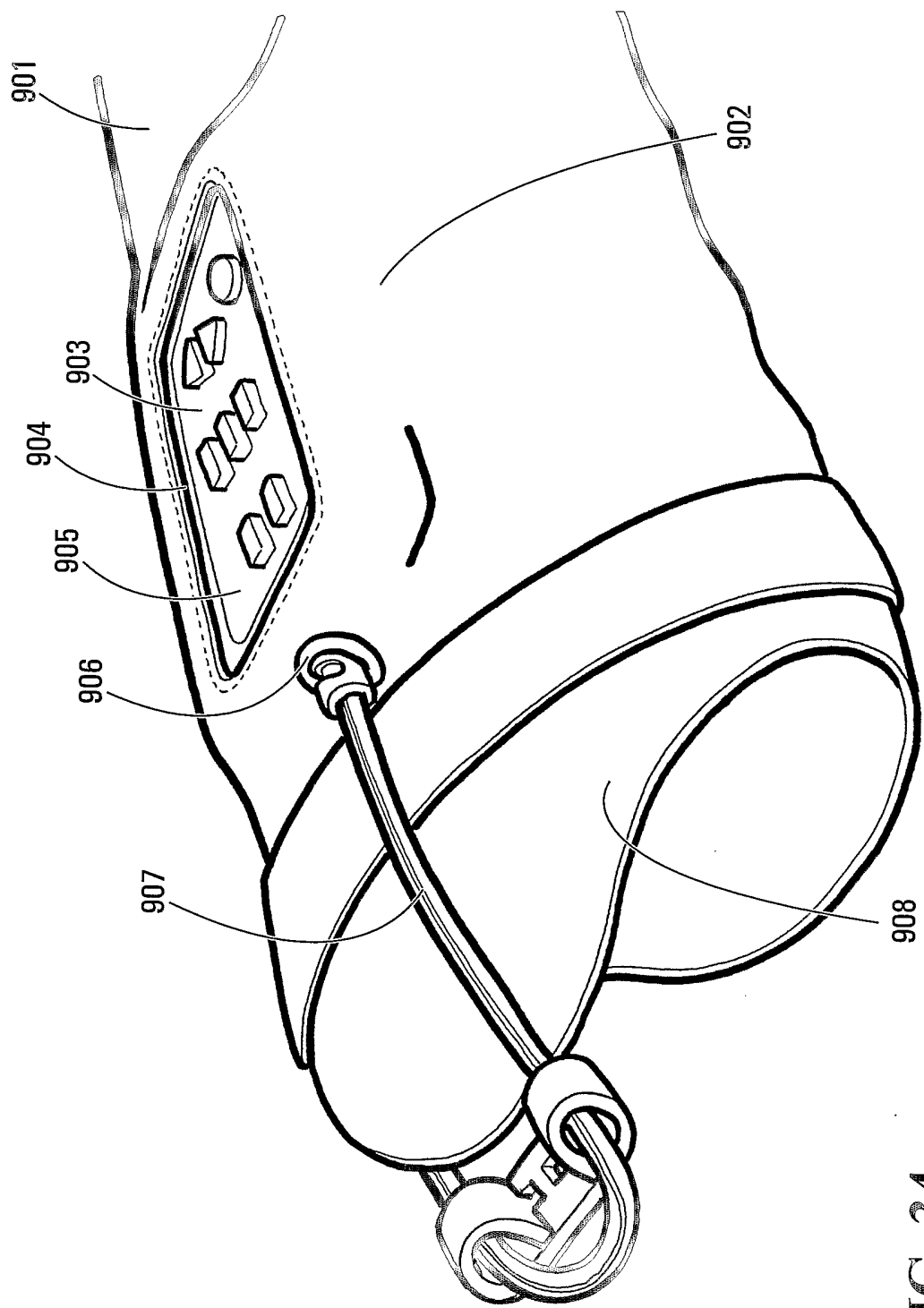


FIG. 34

54/56

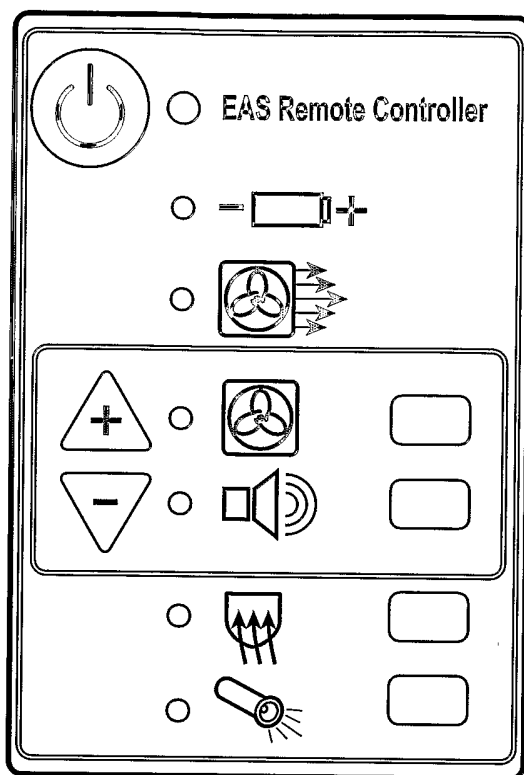


FIG. 35A

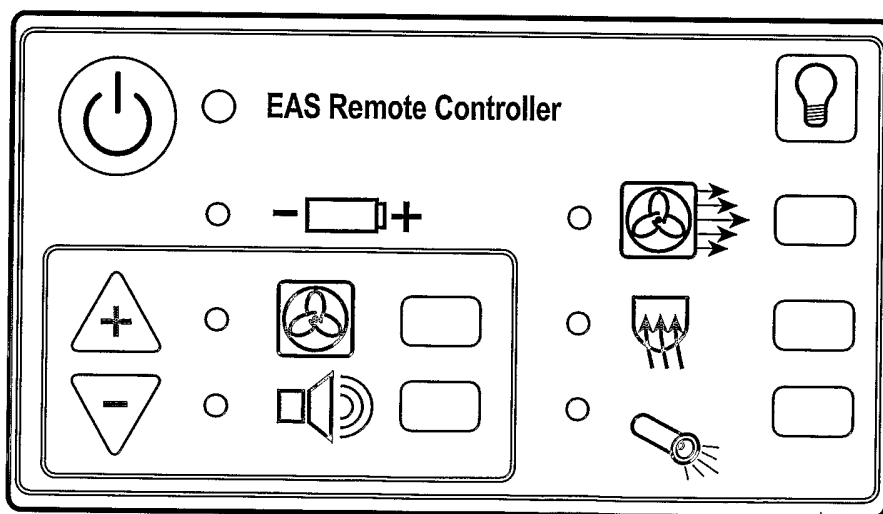
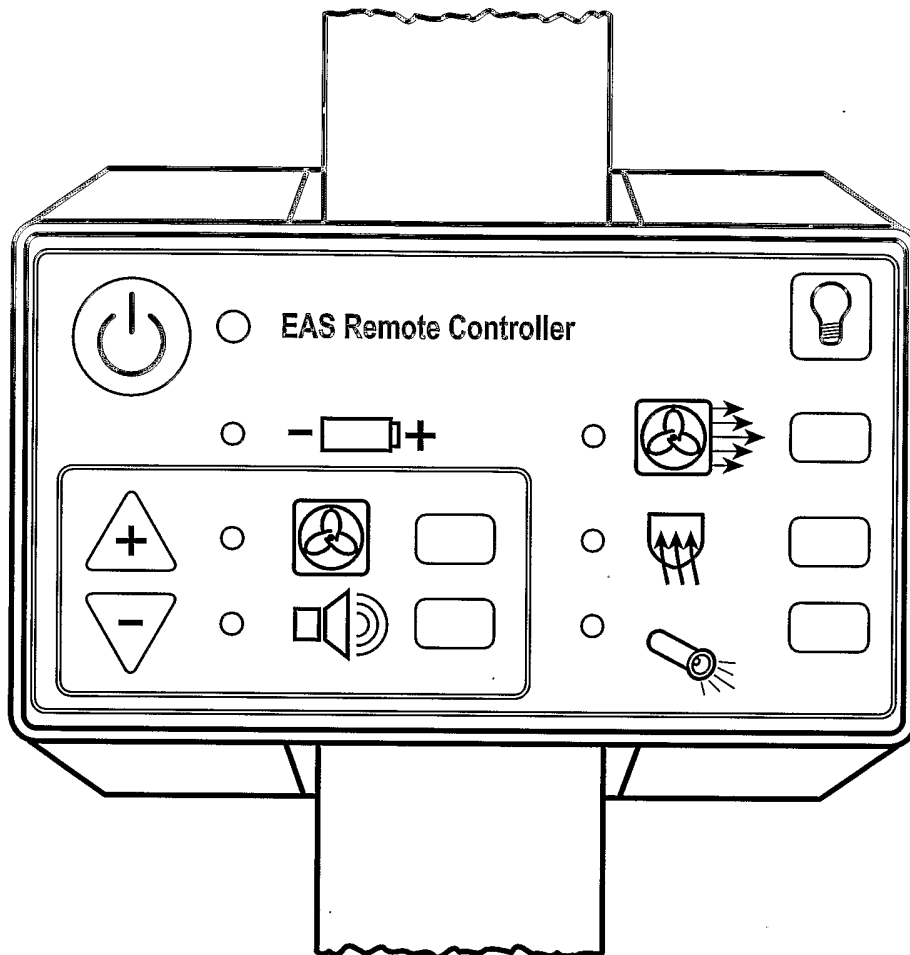


FIG. 35B



**FIG. 35C**

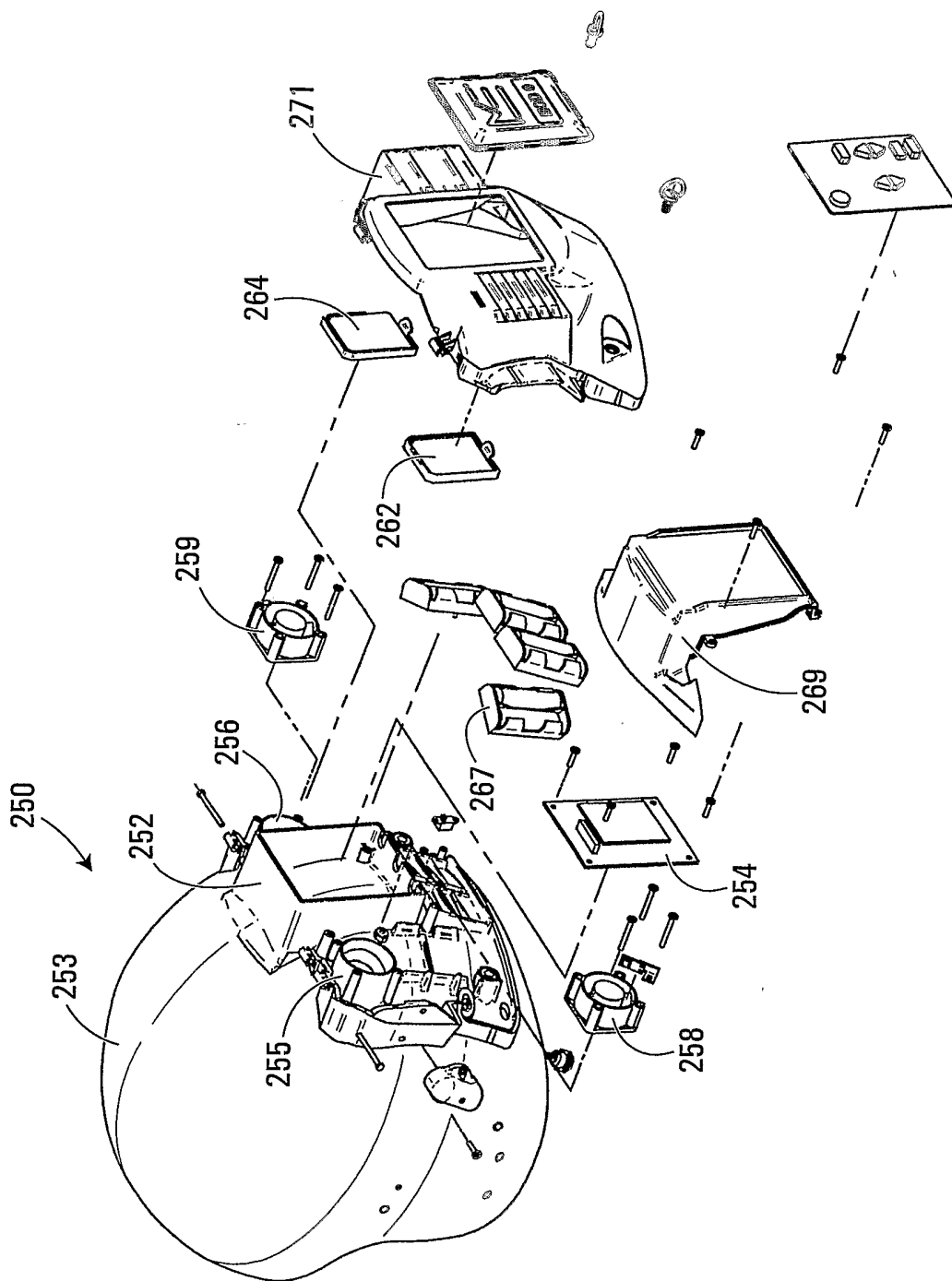


FIG. 35D