

(19) World Intellectual Property Organization  
International Bureau



(43) International Publication Date  
6 December 2007 (06.12.2007)

PCT

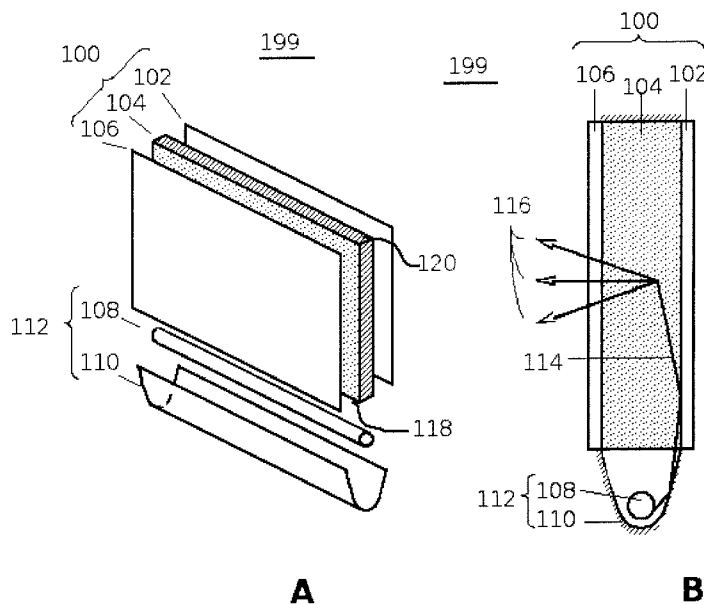
(10) International Publication Number  
WO 2007/140347 A3

- (51) International Patent Classification:  
F21V 7/04 (2006.01) B05D 1/22 (2006.01)
- (21) International Application Number:  
PCT/US2007/069819
- (22) International Filing Date: 25 May 2007 (25.05.2007)
- (25) Filing Language: English
- (26) Publication Language: English
- (30) Priority Data:  
793/MUM/2006 25 May 2006 (25.05.2006) IN
- (71) Applicant (for all designated States except US): I2IC CORPORATION [US/US]; 776 Coronado Lane, Foster City, California 94404 (US).
- (72) Inventors; and
- (75) Inventors/Applicants (for US only): KANADE, Udayan [IN/IN]; 15-1 Sharman, Pune 411038 (IN). GANAPATHY, Balaji [IN/IN]; Flat No. C-5, B Wing, Ganga Park, Mundhwa Road, Pune 411036 (IN).
- (74) Agents: ORRICK HERRINGTON & SUTCLIFFE LLP et al.; 4 Park Plaza, Suite 1600, Irvine, California 92614-2558 (US).

- (81) Designated States (unless otherwise indicated, for every kind of national protection available): AE, AG, AL, AM, AT, AU, AZ, BA, BB, BG, BH, BR, BW, BY, BZ, CA, CH, CN, CO, CR, CU, CZ, DE, DK, DM, DZ, EC, EE, EG, ES, FI, GB, GD, GE, GH, GM, GT, HN, HR, HU, ID, IL, IN, IS, JP, KE, KG, KM, KN, KP, KR, KZ, LA, LC, LK, LR, LS, LT, LU, LY, MA, MD, ME, MG, MK, MN, MW, MX, MY, MZ, NA, NG, NI, NO, NZ, OM, PG, PH, PL, PT, RO, RS, RU, SC, SD, SE, SG, SK, SL, SM, SV, SY, TJ, TM, TN, TR, TT, TZ, UA, UG, US, UZ, VC, VN, ZA, ZM, ZW.
- (84) Designated States (unless otherwise indicated, for every kind of regional protection available): ARIPO (BW, GH, GM, KE, LS, MW, MZ, NA, SD, SL, SZ, TZ, UG, ZM, ZW), Eurasian (AM, AZ, BY, KG, KZ, MD, RU, TJ, TM), European (AT, BE, BG, CH, CY, CZ, DE, DK, EE, ES, FI, FR, GB, GR, HU, IE, IS, IT, LT, LU, LV, MC, MT, NL, PL, PT, RO, SE, SI, SK, TR), OAPI (BF, BJ, CF, CG, CI, CM, GA, GN, GQ, GW, ML, MR, NE, SN, TD, TG).

- Published:
  - with international search report
  - before the expiration of the time limit for amending the claims and to be republished in the event of receipt of amendments
- (88) Date of publication of the international search report:  
26 June 2008

(54) Title: EXTRACTION OF LIGHT FROM A LIGHT CONDUCTING MEDIUM IN A PREFERRED EMANATION PATTERN



(57) Abstract: An apparatus and method for extraction of light from a light conducting medium in a preferred emanation pattern are described. In one embodiment, the apparatus comprises a first light conducting sheet including aspherical particles, and a light source placed along the edge of the first sheet. The first sheet diffuses light generated by the light source such that light emanates in a predetermined light emanation pattern.

WO 2007/140347 A3

# INTERNATIONAL SEARCH REPORT

International application No.

PCT/US07/69819

**A. CLASSIFICATION OF SUBJECT MATTER**  
 IPC: **F 21 V 7/04; B 05 D 1/22**

USPC: 362/606, 615, 625; 427/459  
 According to International Patent Classification (IPC) or to both national classification and IPC

**B. FIELDS SEARCHED**

Minimum documentation searched (classification system followed by classification symbols)  
 U.S. : 362/606, 615, 625; 427/459

Documentation searched other than minimum documentation to the extent that such documents are included in the fields searched

Electronic data base consulted during the international search (name of data base and, where practicable, search terms used)

**C. DOCUMENTS CONSIDERED TO BE RELEVANT**

Category *	Citation of document, with indication, where appropriate, of the relevant passages	Relevant to claim No.
X	2006/0056166 (Yeo) 16 March 2006 (16.3.2006) [0052],[0060], [0073]	1-6,8,16,17
---	2006/0133109 (Kim) 22 June 2006 (22.6.2006) [0044]	-----
Y		9,12, 13
---	2006/0103051 (Staats) 18 May 2006 (18.5.2006) [0064]	-----
Y		10
---	2004/0136174 (Yu) 15 July 2004 (15.7.2004) [0002], [0013]	-----
Y		14, 15

Further documents are listed in the continuation of Box C.  See patent family annex.

* Special categories of cited documents:	"T"	later document published after the international filing date or priority date and not in conflict with the application but cited to understand the principle or theory underlying the invention
"A" document defining the general state of the art which is not considered to be of particular relevance	"X"	document of particular relevance; the claimed invention cannot be considered novel or cannot be considered to involve an inventive step when the document is taken alone
"E" earlier application or patent published on or after the international filing date	"Y"	document of particular relevance; the claimed invention cannot be considered to involve an inventive step when the document is combined with one or more other such documents, such combination being obvious to a person skilled in the art
"L" document which may throw doubts on priority claim(s) or which is cited to establish the publication date of another citation or other special reason (as specified)	"&"	document member of the same patent family
"O" document referring to an oral disclosure, use, exhibition or other means		
"P" document published prior to the international filing date but later than the priority date claimed		

Date of the actual completion of the international search 09 April 2008 (09.04.2008)	Date of mailing of the international search report <b>28 APR 2008</b>
Name and mailing address of the ISA/US Mail Stop PCT, Attn: ISA/US Commissioner for Patents P.O. Box 1450 Alexandria, Virginia 22313-1450 Facsimile No. (571) 273-3201	Authorized officer Jong-Suk (James) Lee <i>Jong-Suk Lee</i> Telephone No. 571-272-1550

**INTERNATIONAL SEARCH REPORT**

International application No.  
PCT/US07/69819

**C (Continuation). DOCUMENTS CONSIDERED TO BE RELEVANT**

Category *	Citation of document, with indication, where appropriate, of the relevant passages	Relevant to claim No.
	2006/0103589 (Chua) 18 May 2006 (18.5.2006) [0028]	----- 11
--- Y	2006/0210726 (Jones) 21 Sept. 2006 (21.9.2006) [0033]	----- 18-20 & 22-27
--- Y	2007/0031685 (Ko) 8 Feb. 2007 (8.2.2007) [0079]	----- 21
--- Y	5649754 (Matsumoto) 22 June 1997 (22.6.1997) co. 6 line 5 - col. 7 line 54	----- 28 & 29
--- Y	5542017 (Koike) 30 June 1996 (30.6.1996) col. 3 lines 6-12	----- 7