

(12) PATENT
(19) AUSTRALIAN PATENT OFFICE

(11) Application No. **AU 199852763 B2**
(10) Patent No. **736778**

(54) Title
Wavelength manager

(51)⁶ International Patent Classification(s)
G01J 003/06

(21) Application No: **199852763** (22) Application Date: **1998 .01 .27**

(30) Priority Data

(31) Number	(32) Date	(33) Country
9701627	1997 .01 .27	GB

(43) Publication Date : **1998 .07 .30**

(43) Publication Journal Date : **1998 .07 .30**

(44) Accepted Journal Date : **2001 .08 .02**

(71) Applicant(s)
Marconi Communications Limited

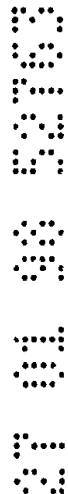
(72) Inventor(s)
Nigel Robert Wood

(74) Agent/Attorney
GRIFFITH HACK,GPO Box 4164,SYDNEY NSW 2001

(56) Related Art
US 4241997
US 5568255
WO 93/03341

ABSTRACT

Scanning based wavelength measurement systems which are suitable for both localised and distributed WDM, High Density WDM, and coherent systems are based around the use of a fixed cavity Fabry-Perot Etalon which when the output of a tuneable laser is passed through it produces a number of reference equispaced transmission maxima. These maxima are used in a Scanning Heterodyne or Scanning Filter based Spectrometer for detection of the wavelength position of the transmitter.



AUSTRALIA
Patents Act 1990

ORIGINAL
COMPLETE SPECIFICATION
STANDARD PATENT

Invention Title: WAVELENGTH MANAGER



The following statement is a full description of this invention, including the best method of performing it known to us:

GH REF: P20319-AZ:TJS:RK

WAVELENGTH MANAGER

The present invention relates to a technique to simply the design of Wavelength Management systems for use in High Density Wave Division Multiplexer. There is also included a system which is significantly less temperature sensitive than other similar designs.

The technique details a method reducing the complexity of scanning based wavelength measurement systems which is suitable for both localised and distributed WDM, High Density WDM, and coherent systems and is based around the use of a fixed cavity FabryPerot Etalon which when the output of a tuneable laser (ramped in wavelength) is passed through it produces a number of reference equispaced transmission maxima. When this signal is used in a Scanning Heterodyne or Scanning Filter based Spectrometer the detection of the wavelength position of the transmitter is simplified.

According to the present invention there is provided a method of calibrating the scan range of a Scanning Heterodyne or Scanning Filter based optical spectrometer wherein a fixed cavity Fabry-Perot Etalon is used to produce equispaced transmission maxima to carry out said calibration and the spectrometer monitors a transmitter signal comb produced by combining received transmitter signals in a Passive Optical Network (PON) and then adding thereto an optical frequency reference signal and comparing the transmitter signal comb with the transmission maxima.

There is further provided means for calibrating the scan range of a Scanning Heterodyne or Scanning Filter based optical spectrometer comprising a fixed cavity Fabry-Perot



Etalon arranged to produced equispaced transmission maxima; a PON arranged to combine received transmitter signals to form a transmitter signal comb; an optical frequency reference signal generator arranged to produce a
5 reference signal to be added to the transmitter signal comb; an LO laser arranged to produce a scanning signal and a processor which uses the scanning signal to determine the delay between the reference signal and a Fabry-Perot maxima; and to determine the further delays
10 between each transmitter signal and the closest Fabry-Perot maxima; and means to transmit a correction signal to the respective transmitter to adjust the transmitter frequency.

The above may be used in wavelength measurement
15 system to control the inter-channel separation of optical transmitters in WDM, HDWDM and coherent-based system.

The present invention will now be described by way of example, with reference to the accompanying drawings, in which:

2
3
4
5
6
7
8
9
10
11
12
13
14
15
16
17
18
19
20
21
22
23
24
25
26
27
28
29
30
31
32
33
34
35
36
37
38
39
40
41
42
43
44
45
46
47
48
49
50



Figure 1 shows a schematic of the Wavelength Management System; and

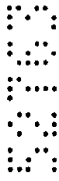
Figure 2 graphically illustrates the calculation of frequency corrections.

5

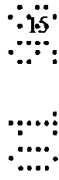
Figure 1 shows a schematic of a simplified Wavelength Management system. The core of the system is either a Scanning Heterodyne or Scanning Filter based spectrometer which monitors the transmitter comb produced by combining the transmitter signals in a passive optical network (PON). To the transmitter comb spectrum is added to an optical frequency reference whose operating point lies outside the comb of transmitters.

10

This is the single stabilised component in the system and is stabilised by either using emission line or absorption line locking techniques.



A fixed cavity Fabry-Perot interferometer monitors the scanning LO laser. This provides a means by which the non-linearity of the LO laser can be measured. In addition, the spacing of the transmission comb of the Fabry-Perot can be set to the desired inter-transmitter frequency spacing. If it is assumed that the Etalon is formed from synthetic silica, for example, a 15GHz comb spacing corresponds to a mirror of 6.9mm.



20

For the operational transmitters to be indirectly locked to the transmission peaks of the Etalon, the stability of the spacing of the peaks is crucial. If the Etalon is not thermally stabilised, any changes in temperature will cause the peaks to drift.

Before examining the system operation further, it is appropriate to pause to examine the nature and magnitude of this problem of drift with temperature.

For a Fabry-Perot Etalon:

$$\lambda_{(peak)} = \frac{2dn}{m},$$

where m is a positive integer.

5

$$= 2d_0(1 + \alpha T)(n_0 + \frac{dn}{dt}, T),$$

where n_0 and d_0 are the refractive index and thickness of the silica at $T=0$ and α is its linear expansion coefficient.

10

$$= \frac{2t}{m}$$

where t is the optical thickness



[1] where t_0 is the optical thickness at $T=0$

$$= \frac{2t_0}{m}(1 + \beta T)$$



and



$$\beta = \alpha + \frac{dn}{dt} \frac{1}{n_0}$$



Now,

20

$$n_0 = 1.444$$

for silica at 1550nm and 20°C.

$$\frac{dn}{dt} = 1.28E-5/^\circ C, \text{ and } \alpha = 55E-7/^\circ C \therefore \beta = 9.4E-6/^\circ C$$

Differentiating equation [1] and substituting for t_0 gives:

$$\frac{d\alpha(\text{peak})}{dT} = \frac{2t_0\beta}{m} = \lambda(\text{peak})\beta$$

Therefore, converting to frequency, an individual line drifts with temperature at a rate of:

$$1.8\text{GHz}/^\circ\text{C}$$

If the change in peak separation is now considered:

$$\Delta f = \frac{c}{2t} = \frac{c}{2t_0(1+\beta T)}$$

10



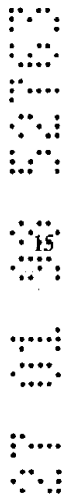
20

This implies that a silica based Etalon designed for a comb period of 15GHz at 20°C will exhibit a comb period of 14.985GHz at 125°C, which corresponds to an accumulated inaccuracy at the ends of the comb $\pm 1\text{GHz}$ - well within the capture ranges achievable by coherent receivers. Thus, although the comb drifts strongly with temperature, the line separation remains constant.

To counteract the line drift, the Fabry-Perot could be stabilised with respect to temperature by locking a transmission peak to the reference frequency, however this represents additional system complexity (and hence less reliability). It is therefore suggested that the Etalon remain a passive component, with the remainder of the system compensating for any thermal drift introduced by it. This will be explained in the following paragraphs which describe the spectrometer operation.

The spectrometer operates as follows. During a laser scan a processor notes the times at which the Fabry-Perot transmission peaks are observed and when optical signals are detected by the coherent receiver (Figure 2), it then analyses this data. In the case shown, the first signal detected during a scan at the coherent receiver will be the reference. The computer notes the elapsed time between this event and the detection of the next Fabry-Perot peak. This will be called the scan delay, and will change scan-to-scan as the ambient temperature of the Fabry-Perot changes (it is assumed the absolute reference remains stable with temperature). The processor then eliminates the Fabry-Perot drift by offsetting the time-of-detection of the remaining channels by the scan delay. For each channel, it then determines the delay between the time-of-detection and the closest Fabry-Perot maximum. It then converts this delay to a frequency deviation by interpolating the elapsed time between adjacent Fabry-Perot maxima, knowing this to represent a frequency sweep of 15GHz. Knowing the instantaneous sweep speed (from the time to sweep a small and known frequency difference) the differential delay between the channel detection and its associated FP peak can be converted to a frequency deviation. Figure 2 illustrates this process.

5
10
15
20



Once the frequency deviation of an individual transmitter from its assigned channel frequency has been determined, a correction message is sent via either a datagram overlay or dedicated electrical link to the transmitter unit concerned. The transmitter unit then takes appropriate remedial action, i.e. changing the operating conditions of its laser which will in turn change the emitted optical wavelength or frequency.

Thus, by exploiting frequency spacing of the maxima of the fixed Fabry-Perot Etalon

whilst compensating for its thermal drift, the spectrometer is able to calculate the frequency difference of a transmitter irrespective of the tuning characteristic of the LO laser.

5 For the system to operate, certain conditions must, of course, be observed. These are detailed as follows:

a) The frequency-time characteristic of the scanning laser must be monotonic and have no significant structural features of a smaller scale than the Fabry-Perot comb spacing.

10



20

b) The sweep speed must be fast with respect to the rate of change of etalon temperature, otherwise the Fabry-Perot peaks will drift significantly during the scan. An error of $\sim 0.1\text{GHz}$ is acceptable over the scan time, this implies that the temperature may not drift by more than 0.05°C over the scan. If the rate of temperature is 1°C/s , the scan must not take more than 50ms. If the scan is to have a frequency resolution of $\pm 0.5\text{GHz}$ over an example wavelength scan range of 16nm occupied by the 128 channels (0.125nm channel spacing), then the temporal resolution of the peak detection system must be $\pm 12.5\mu\text{s}$ (equivalent to a 80kHz clock). This resolution may be unnecessarily high however, the central lobe of a modulated spectrum of a 2Gbit/s CPFSK signal has a spectral width of the order of 4GHz.

c) At start up, the transmitter lasers must become operational within a window of

$\pm 5\text{GHz}$ (This figure allows a 5GHz 'guard band' between channel windows). This, for a device with a thermal tuning characteristic of $12.5\text{GHz}/^\circ\text{C}$ and an electro-optic tuning characteristic of $600\text{MHz}/\text{mA}$, is equivalent to a temperature uncertainty of $\pm 0.4^\circ\text{C}$ or a bias uncertainty of $\pm 8\text{mA}$.

5

It should also be noted that unless averaging proves necessary it is not necessary to perform A/D conversion, but rather note the clock count at which the various phenomena are detected.

10



This might be accomplished using a level detector followed by a pulse shaper and an edge detector. As a CPFSK spectrum is single peaked and symmetrical, the spectral centre may be taken as the algebraic mean of the pulse rise and fall times. The data capture is therefore trivial by today's microprocessor standards, amounting to no more than noting the value of a clock counter 128 times during the 50ms sweep of the scanning laser. Such a task would not overwhelm even a first-generation 8-bit microprocessor. The calculations to determine the frequency deviation of the transmitters can then be performed at leisure; transmitter lasers drift relatively slowly (of the order of MHz per second) and therefore correction need only be applied say every few seconds.

20

Naturally some temperature stabilisation of the scanning LO laser will be required, if only to prevent premature ageing by elevated temperatures. The necessity for thermal control may also be governed by the device's electro-optic tuning range. This must at all times be adequate to compass the reference source and the transmitter comb, and this may require simple thermal control based on the device ambient temperature, noting that the

rate of frequency change wrought by this control loop must be less than the scan speed
in order to ensure that the frequency sweep remains monotonic.

0
0
0
0
0
0
0

CLAIMS

1. A method of calibrating the scan range of a Scanning Heterodyne or Scanning Filter based optical spectrometer
5 wherein a fixed cavity Fabry-Perot Etalon is used to produce equispaced transmission maxima to carry out said calibration and the spectrometer monitors a transmitter signal comb produced by combining received transmitter signals in a Passive Optical Network (PON) and then adding
10 thereto an optical frequency reference signal and comparing the transmitter signal comb with the transmission maxima.
2. A method as claimed in Claim 1, wherein scanning is provided by a Local Oscillator (LO) laser, and during a
15 scan the first signal detected is the optical frequency reference signal and the second signal detected is a Fabry-Perot maxima, the elapsed time between the first and second signals being the scan delay, the detection of the Fabry-Perot maxima being offset by the scan delay.
- 20 3. A method as claimed in Claim 2, wherein the delay between the detection of a transmitter signal and the closest Fabry-Perot maximum is converted to a frequency deviation and a correction message is sent to the respective transmitter unit.
- 25 4. A method of calibrating the scan range of a Scanning Heterodyne or Scanning Filter based spectrometer as claimed in Claim 1 and substantially as hereinbefore described.
- 30 5. Means for calibrating the scan range of a Scanning Heterodyne or Scanning Filter based optical spectrometer comprising a fixed cavity Fabry-Perot Etalon arranged to produced equispaced transmission maxima; a PON arranged to combine received transmitter signals to form a transmitter

3
2
1
0
9
8
7
6
5
4
3
2
1
0



signal comb; an optical frequency reference signal generator arranged to produce a reference signal to be added to the transmitter signal comb; an LO laser arranged to produce a scanning signal and a processor which uses
5 the scanning signal to determine the delay between the reference signal and a Fabry-Perot maxima; and to determine the further delays between each transmitter signal and the closest Fabry-Perot maxima; and means to transmit a correction signal to the respective transmitter
10 to adjust the transmitter frequency.

6. Means for calibrating the scan range of a Scanning Heterodyne or Scanning Filter based optical spectrometer substantially as hereinbefore described with reference to and as illustrated in the accompanying drawings.

15 7. A method of calibrating the scan range of a Scanning Heterodyne or Scanning Filter based optical spectrometer, substantially as herein described with reference to the accompanying drawings:

3
5
7
9
11
13
15
17
19

21
23
25
27
29



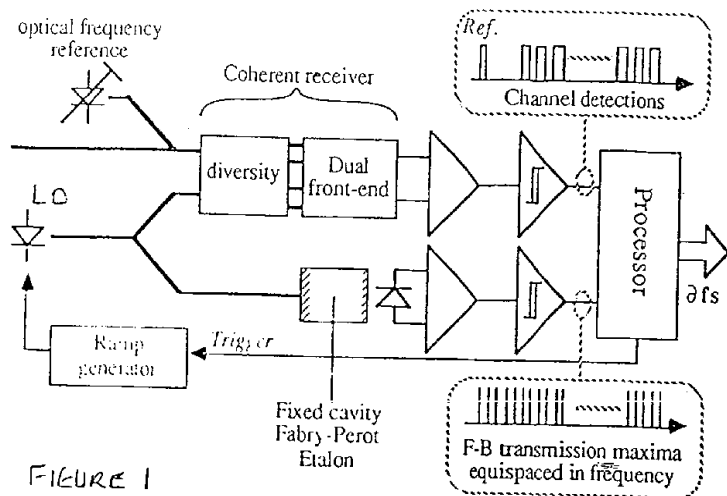


FIGURE 1

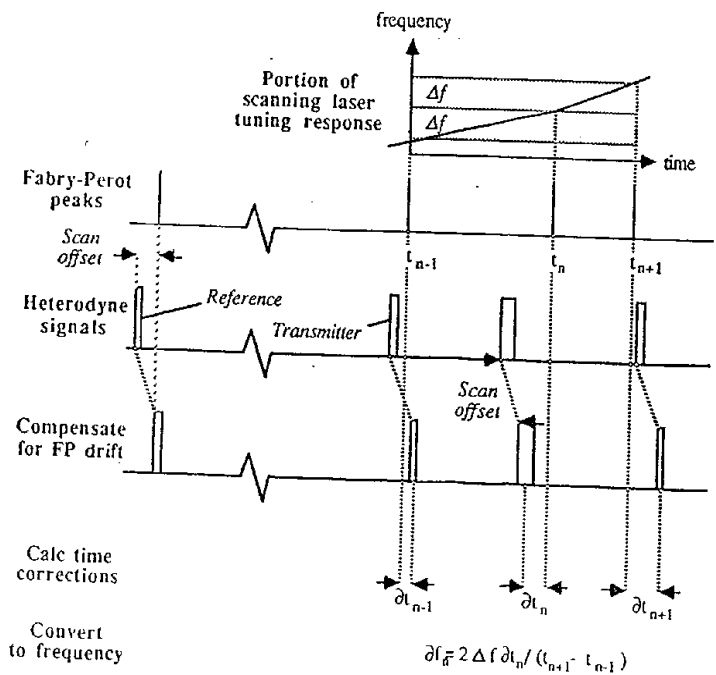


FIGURE 2

