



US00D768514S

(12) **United States Design Patent**
Chen

(10) **Patent No.:** **US D768,514 S**

(45) **Date of Patent:** **** Oct. 11, 2016**

(54) **NOISE DOSIMETER**

(71) Applicant: **Li-Chuan Chen**, Taipei (TW)

(72) Inventor: **Li-Chuan Chen**, Taipei (TW)

(**) Term: **15 Years**

(21) Appl. No.: **29/533,492**

(22) Filed: **Jul. 17, 2015**

(51) **LOC (10) Cl.** **10-04**

(52) **U.S. Cl.**
USPC **D10/47**

(58) **Field of Classification Search**

USPC D10/47, 78
CPC G01T 1/00; G01T 1/003; G01T 1/006;
G01T 1/02; G01T 1/023; G01T 1/026;
G01T 1/04; G01T 1/06; G01T 1/08; G01T
1/10; G01T 1/105; G01T 1/11; G01T 1/115;
G01T 1/12; G01T 1/14; G01T 1/142; G01T
1/15; G01T 1/16; G01T 1/1603

See application file for complete search history.

(56) **References Cited**

U.S. PATENT DOCUMENTS

D660,187 S * 5/2012 Chen D10/47
D741,733 S * 10/2015 Chen D10/46
D755,653 S * 5/2016 Shinmei D10/47

D756,809 S * 5/2016 Hisama D10/47

* cited by examiner

Primary Examiner — Antoine D Davis

(74) *Attorney, Agent, or Firm* — WPAT, P.C., Intellectual Property Attorneys; Anthony King

(57) **CLAIM**

The ornamental design for a noise dosimeter, as shown and described.

DESCRIPTION

FIG. 1 is a perspective view of a noise dosimeter showing my new design;

FIG. 2 is a front view thereof;

FIG. 3 is a rear view thereof;

FIG. 4 is a left side view thereof;

FIG. 5 is a right side view thereof;

FIG. 6 is a top view thereof;

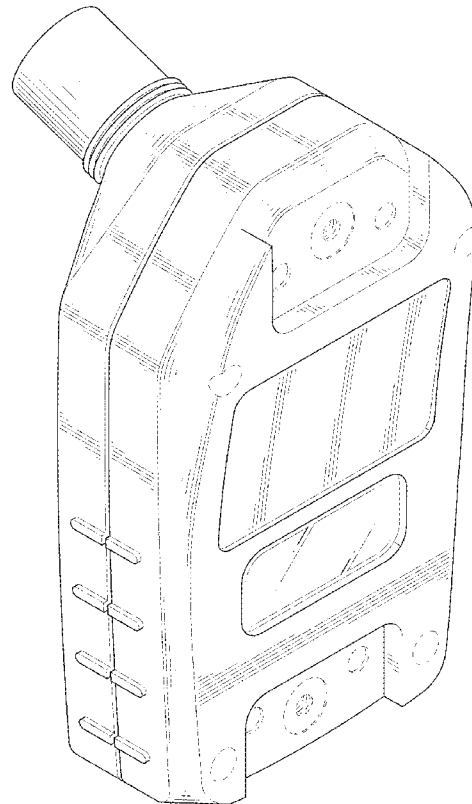
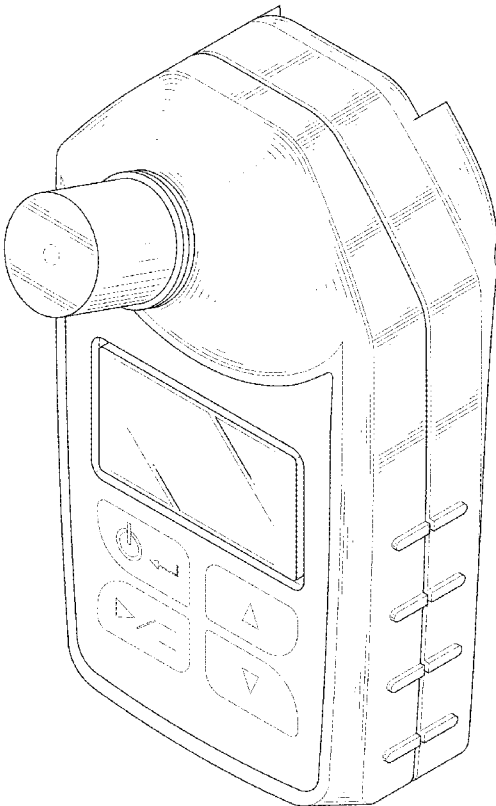
FIG. 7 is a bottom view thereof;

FIG. 8 is another perspective view thereof; and,

FIG. 9 is an operational perspective view thereof showing two buckles mounted on a rear of the noise dosimeter.

The broken lines shown are included for the purpose of illustrating the unclaimed portions of the article and form no part of the claimed design.

1 Claim, 9 Drawing Sheets



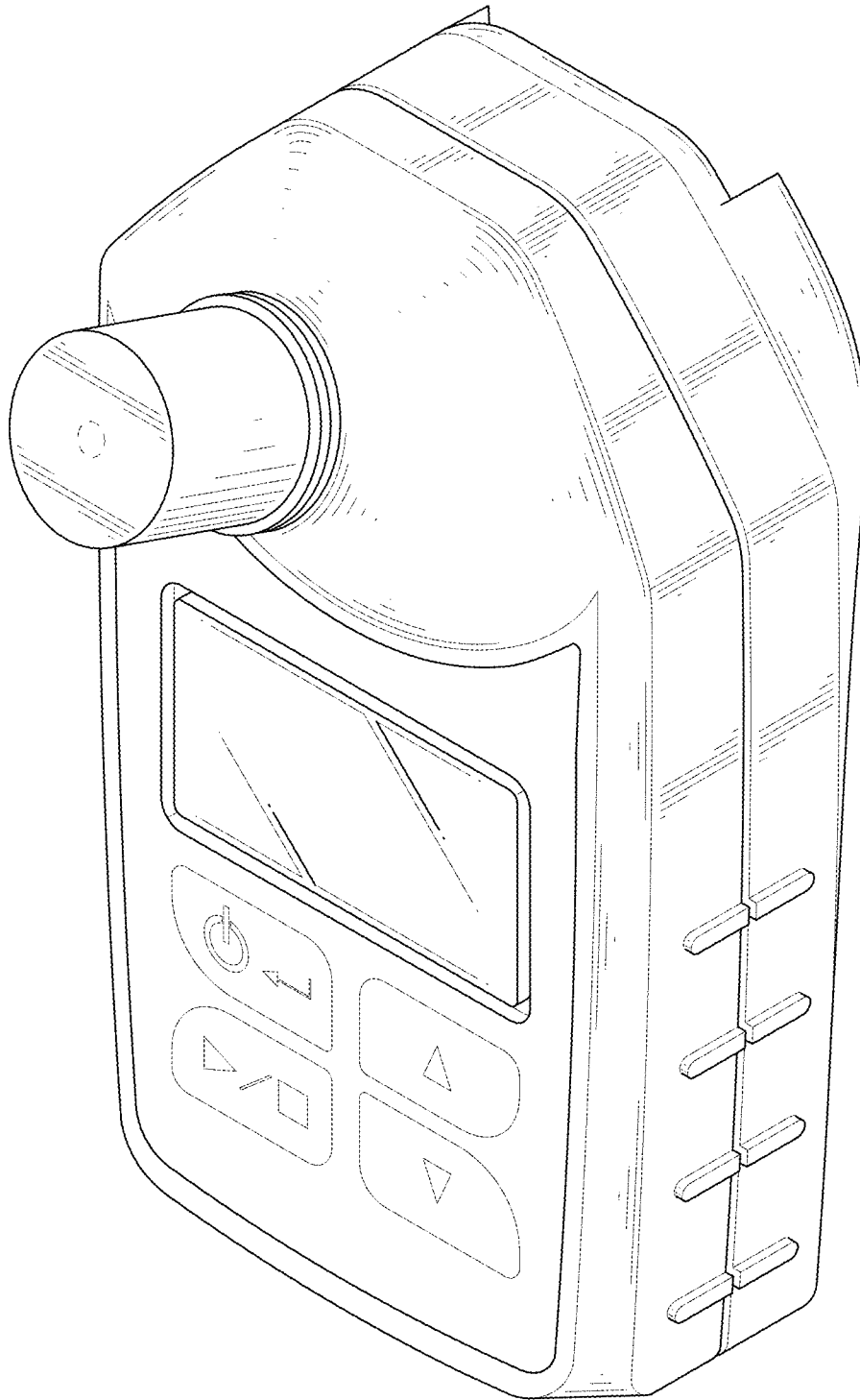


FIG.1

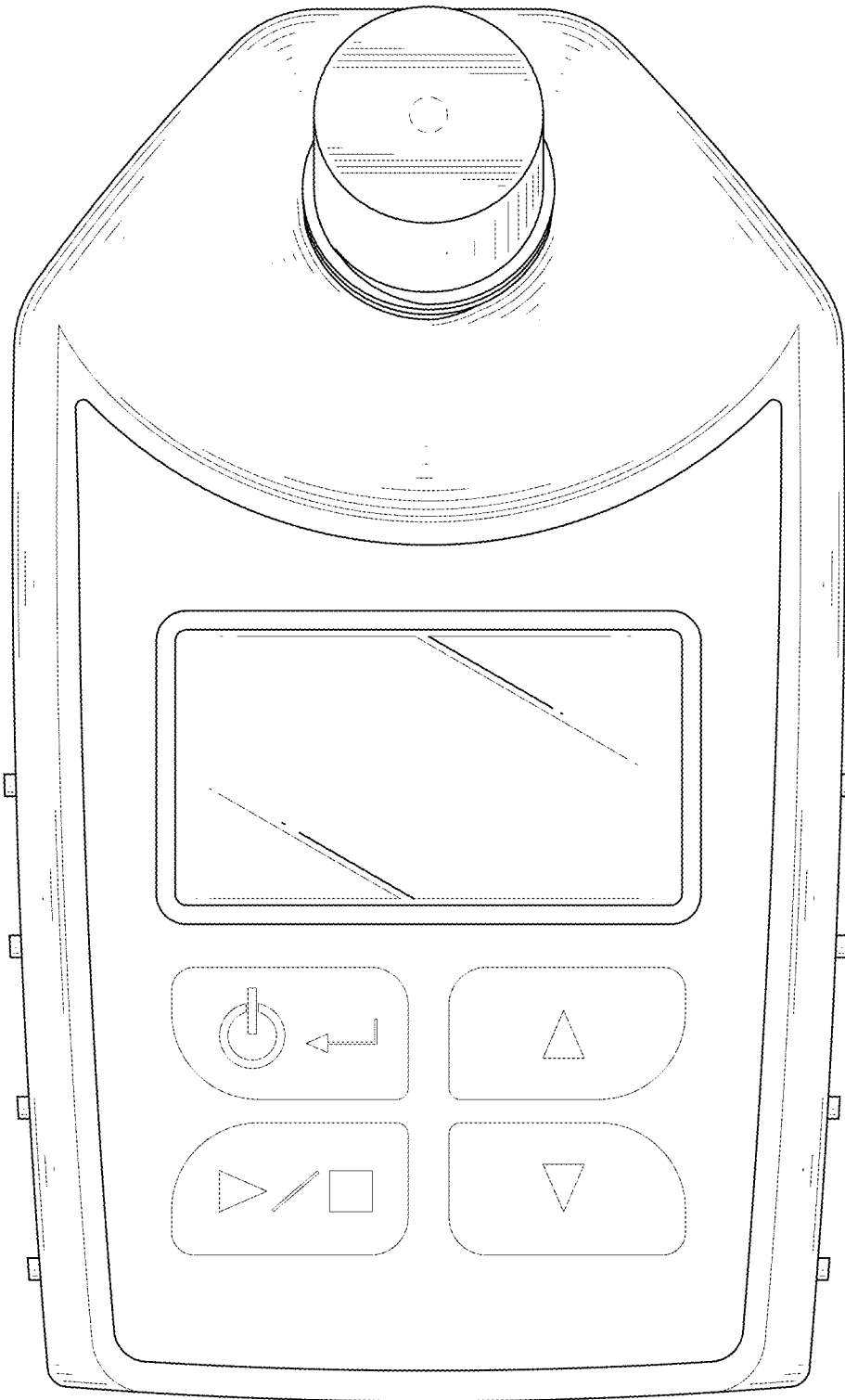


FIG.2

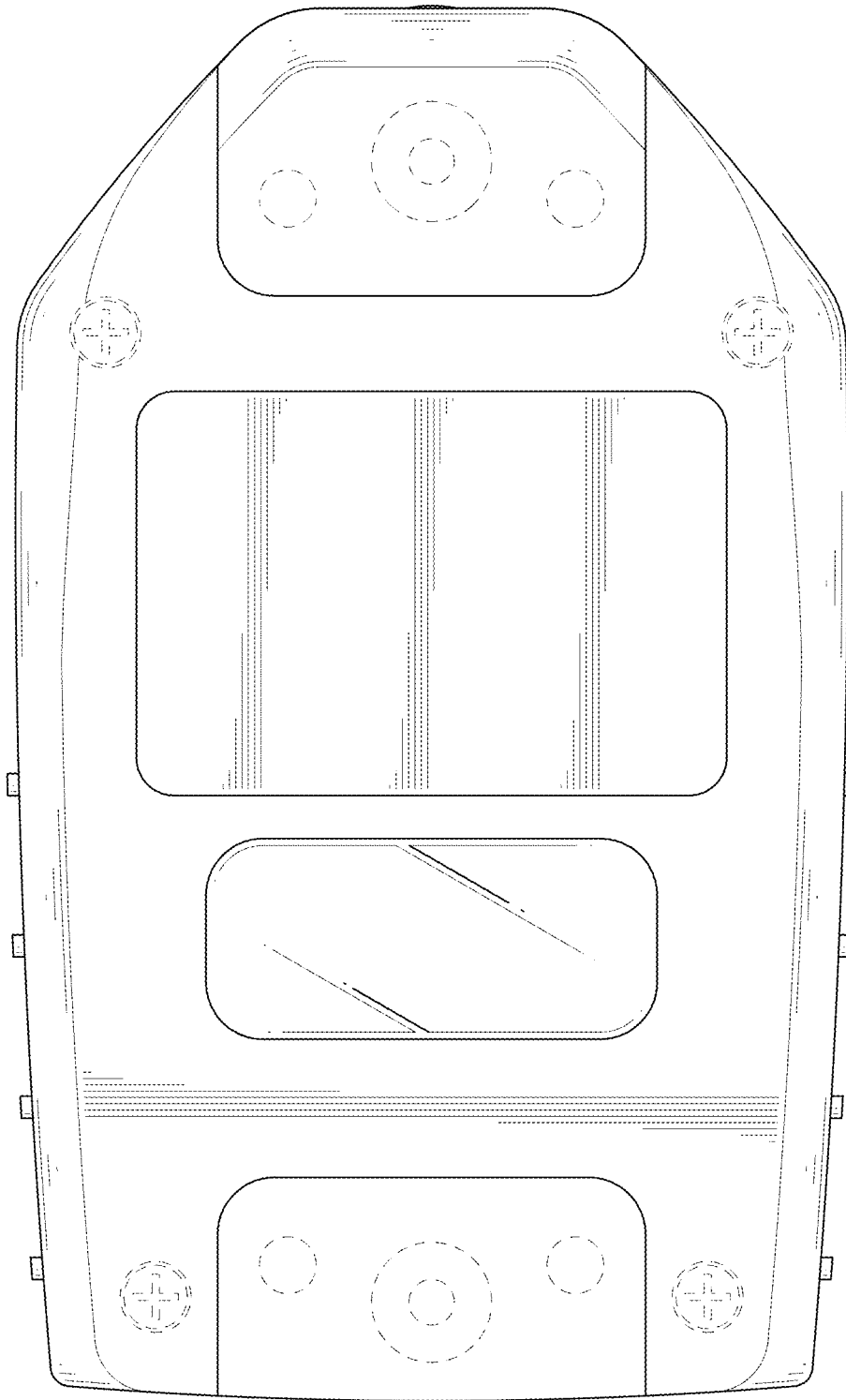


FIG.3

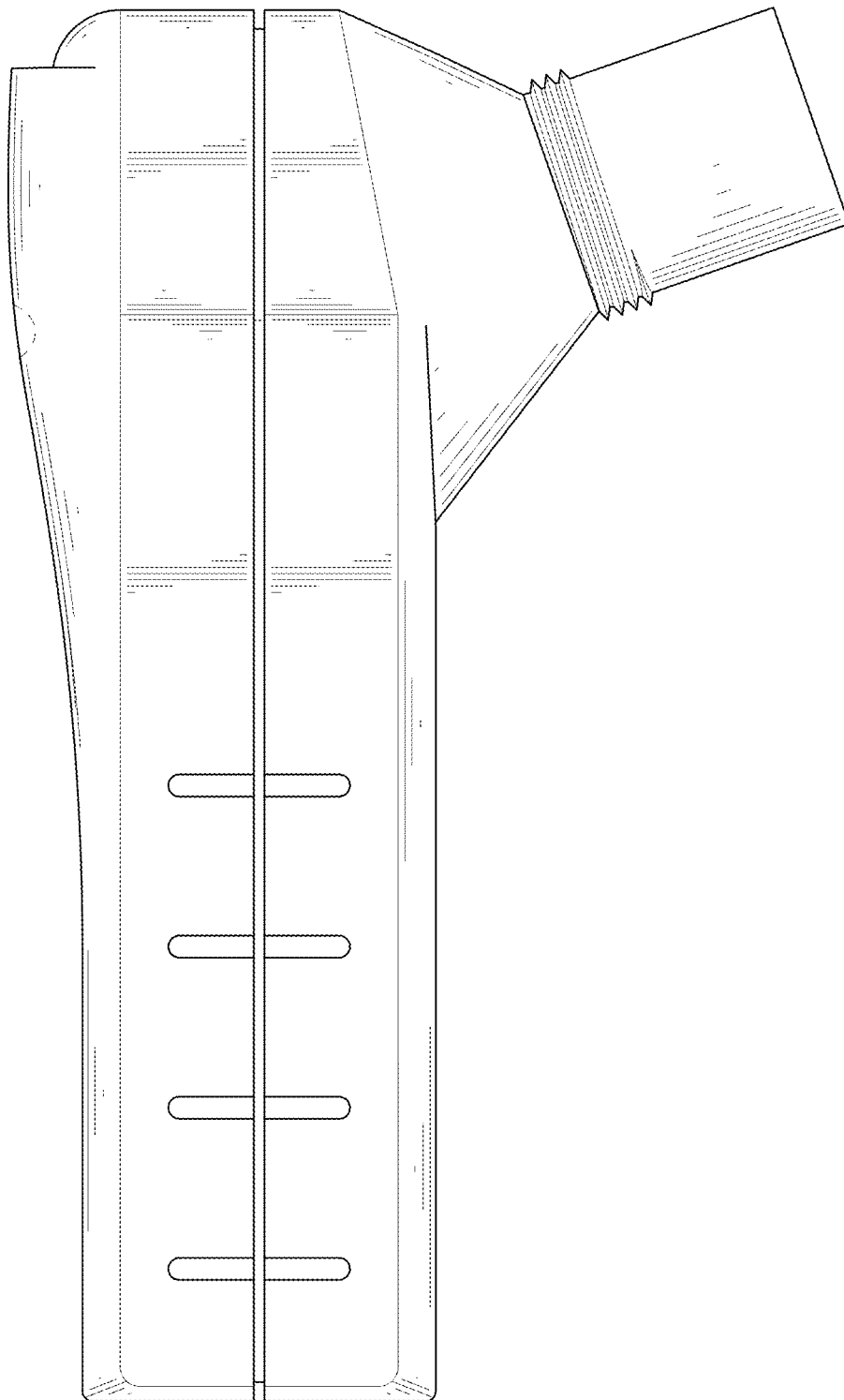


FIG.4

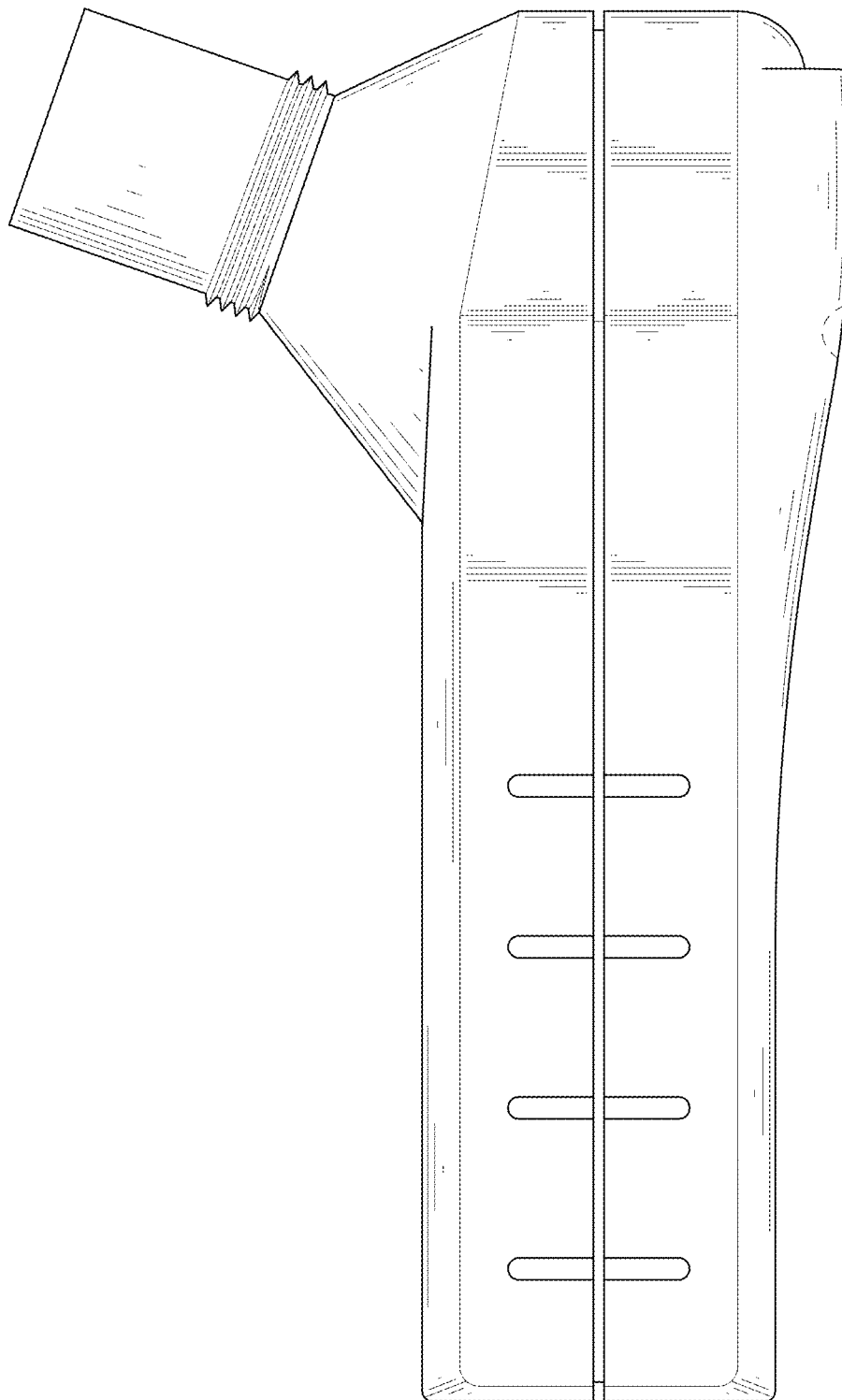


FIG.5

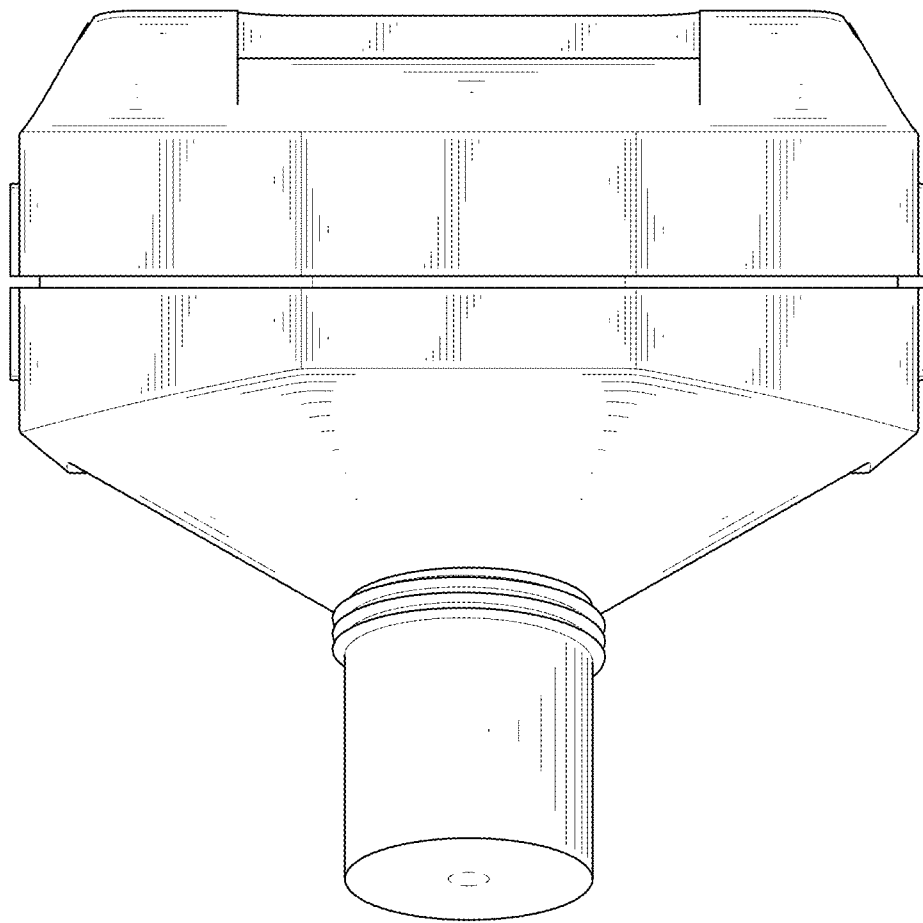


FIG.6

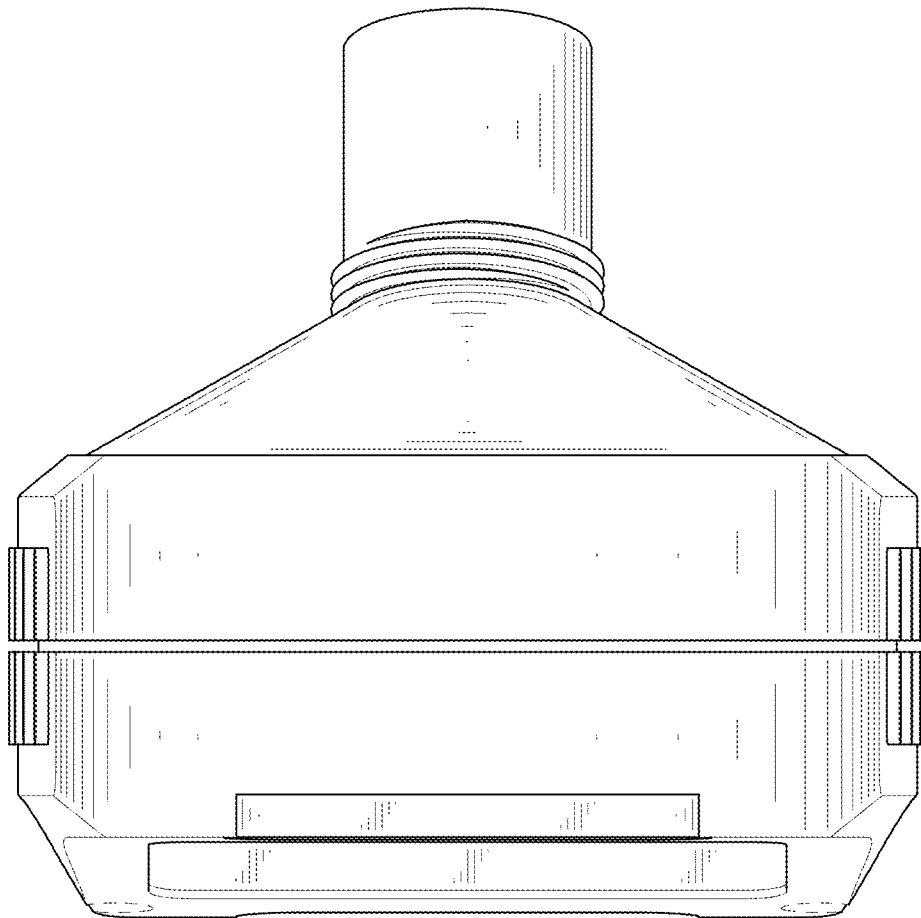


FIG.7

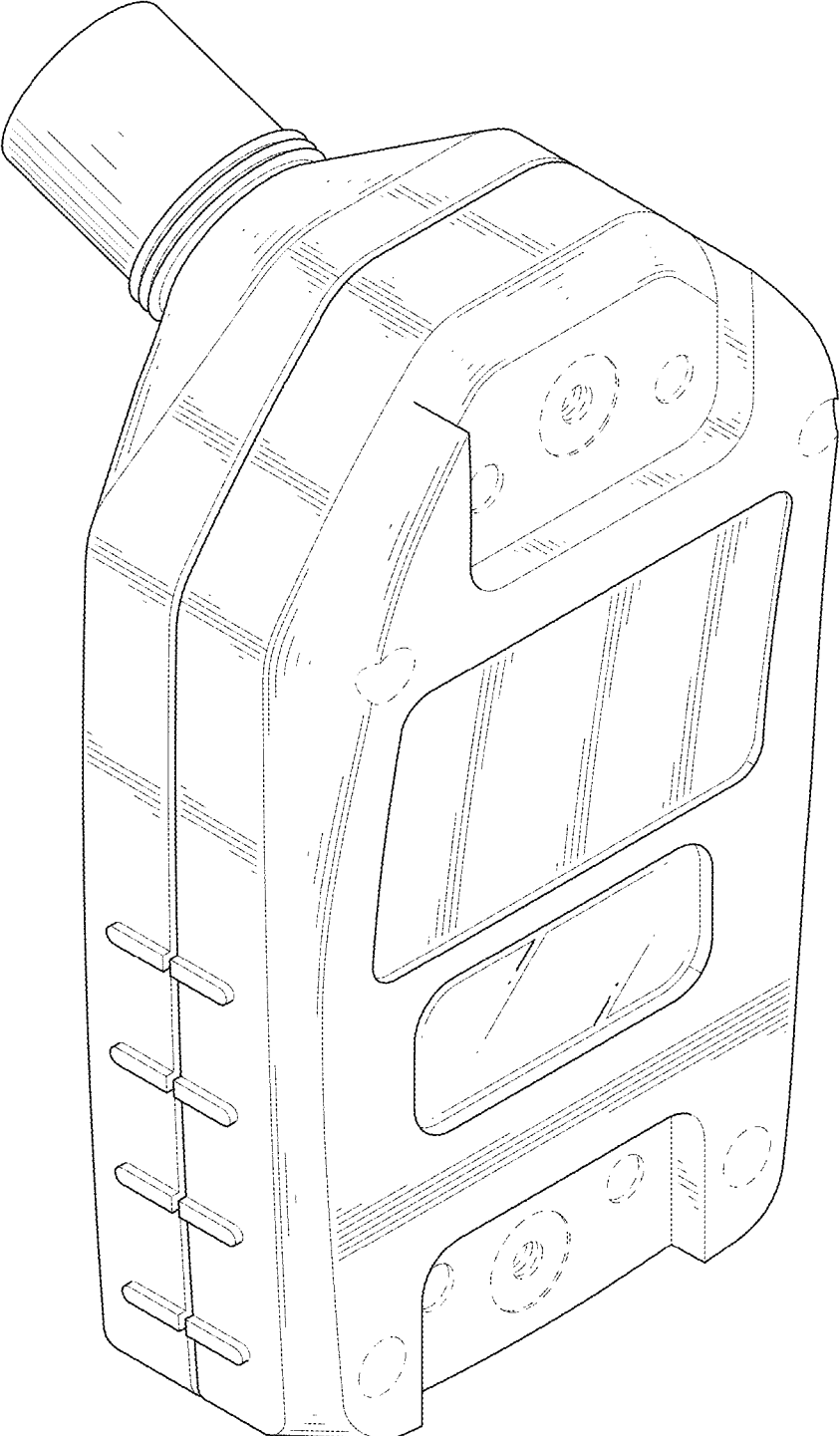


FIG.8

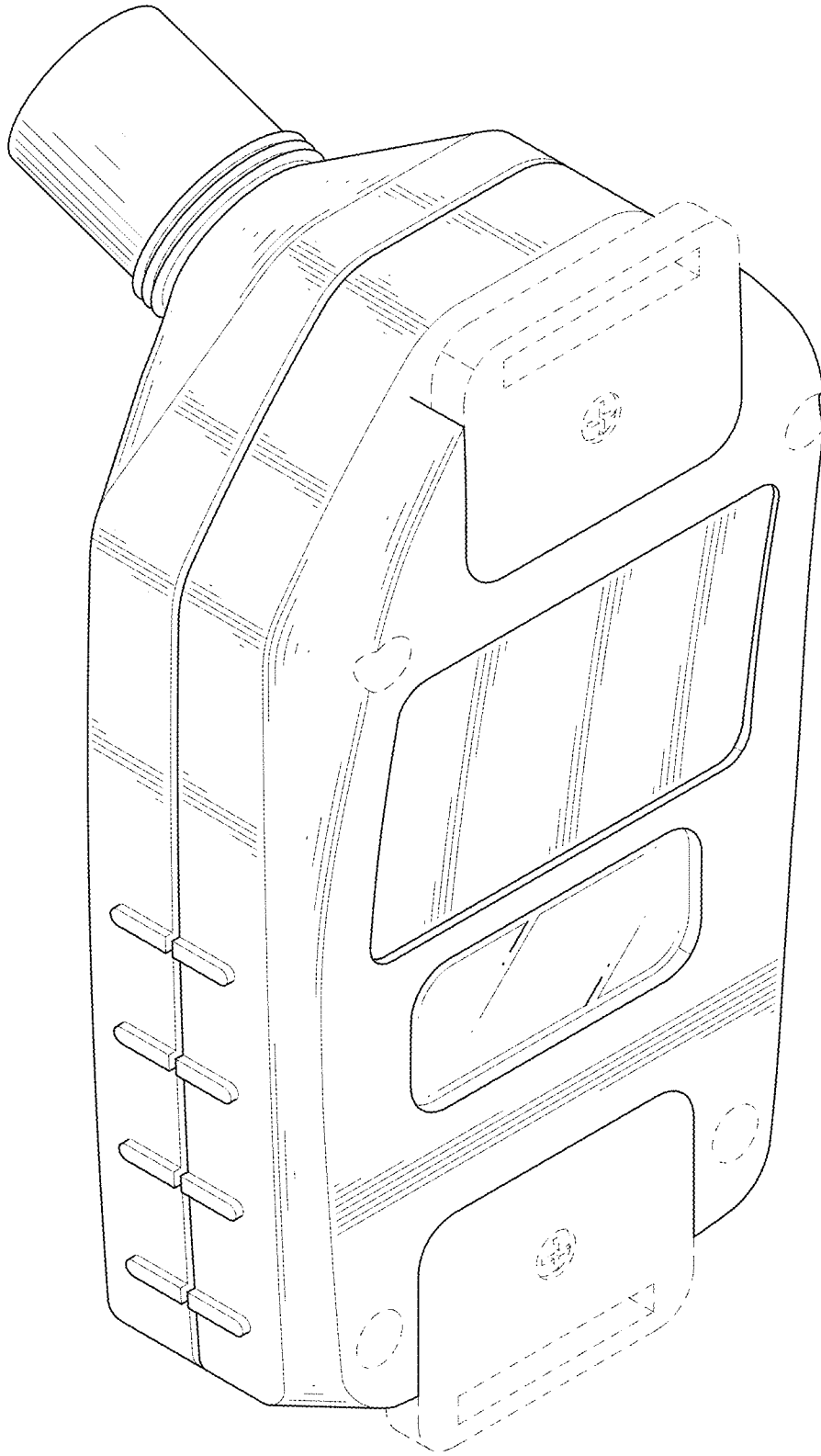


FIG.9