

(19) World Intellectual Property Organization
International Bureau



(43) International Publication Date
17 February 2005 (17.02.2005)

PCT

(10) International Publication Number
WO 2005/015272 A3

(51) International Patent Classification⁷: G02B 5/08

(21) International Application Number:
PCT/US2004/019755

(22) International Filing Date: 21 June 2004 (21.06.2004)

(25) Filing Language: English

(26) Publication Language: English

(30) Priority Data:
10/638,099 7 August 2003 (07.08.2003) US

(71) Applicant (for all designated States except US): GENERAL ELECTRIC COMPANY [US/US]; 1 River Road, Schenectady, NY 12345 (US).

(72) Inventors; and

(75) Inventors/Applicants (for US only): GALLUCCI, Robert, Russell [US/US]; 1109 Tanglewood Drive, Mt. Vernon, IN 47620 (US). IACOVANGELO, Charles,

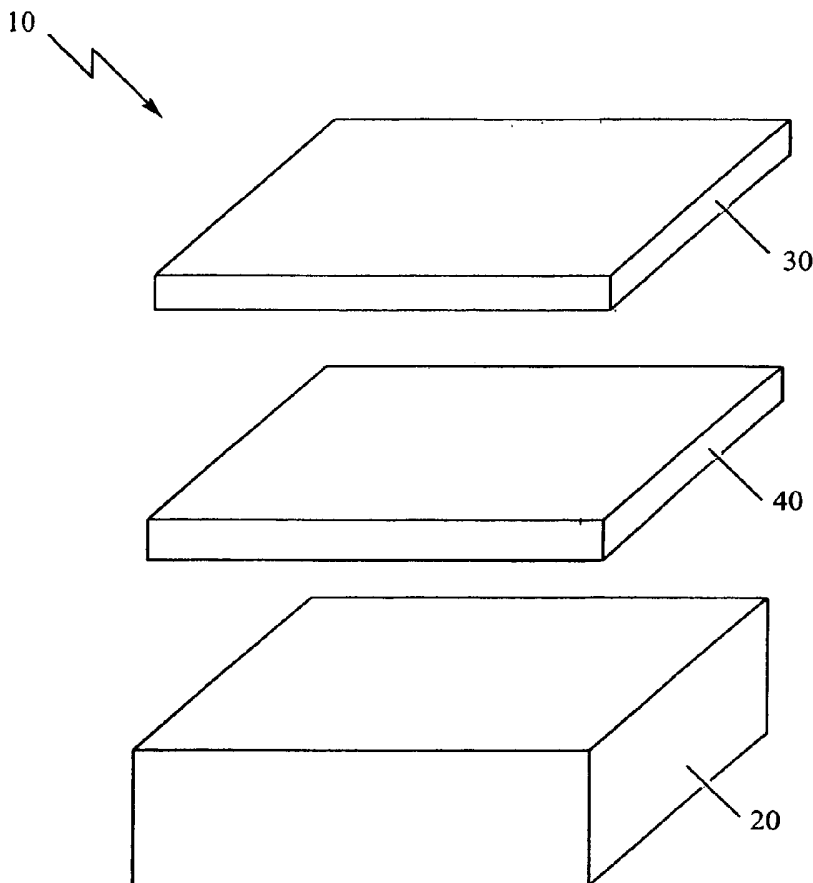
Dominic [US/US]; 6 Candiwood Court, Clifton Park, NY 12065 (US). LEGRAND, Donald, George [US/US]; 5 Kevin Drive, Burnt Hills, NY 12027 (US). WILSON, James, R. [US/US]; 4610 Butler Drive, Troy, MI 48085 (US).

(74) Agents: WINTER, Catherine, J. et al.; General Electric Company, 3135 Easton Turnpike (W3C), Fairfield, CT 06828 (US).

(81) Designated States (unless otherwise indicated, for every kind of national protection available): AE, AG, AL, AM, AT, AU, AZ, BA, BB, BG, BR, BW, BY, BZ, CA, CH, CN, CO, CR, CU, CZ, DE, DK, DM, DZ, EC, EE, EG, ES, FI, GB, GD, GE, GH, GM, HR, HU, ID, IL, IN, IS, JP, KE, KG, KP, KR, KZ, LC, LK, LR, LS, LT, LU, LV, MA, MD, MG, MK, MN, MW, MX, MZ, NA, NI, NO, NZ, OM, PG, PH, PL, PT, RO, RU, SC, SD, SE, SG, SK, SL, SY, TJ, TM, TN, TR, TT, TZ, UA, UG, US, UZ, VC, VN, YU, ZA, ZM, ZW.

[Continued on next page]

(54) Title: REFLECTIVE ARTICLE AND METHOD FOR THE PREPARATION THEREOF



(57) Abstract: A reflective article (10) useful, for example, in automotive headlights includes a substrate (20), a reflective metal layer (30), and a haze-prevention layer (40) between the substrate and the reflective metal layer. The substrate (20) includes an amorphous thermoplastic resin having a heat distortion temperature of at least about 140 °C, density less than 1.7 grams per milliliter, and an organic volatiles content less than 1,000 parts per million measured according to ASTM D4526. The haze-prevention layer (40) includes a material having a volume resistivity of at least 1x10⁻⁴ ohm-centimeters and a tensile modulus of at least about 3x10⁵ pounds per square inch. The article resists hazing of the reflective layer at elevated temperatures.

WO 2005/015272 A3



(84) Designated States (unless otherwise indicated, for every kind of regional protection available): ARIPO (BW, GH, GM, KE, LS, MW, MZ, NA, SD, SL, SZ, TZ, UG, ZM, ZW), Eurasian (AM, AZ, BY, KG, KZ, MD, RU, TJ, TM), European (AT, BE, BG, CH, CY, CZ, DE, DK, EE, ES, FI, FR, GB, GR, HU, IE, IT, LU, MC, NL, PL, PT, RO, SE, SI, SK, TR), OAPI (BF, BJ, CF, CG, CI, CM, GA, GN, GQ, GW, ML, MR, NE, SN, TD, TG).

Declarations under Rule 4.17:

— as to applicant's entitlement to apply for and be granted a patent (Rule 4.17(ii)) for the following designations AE, AG, AL, AM, AT, AU, AZ, BA, BB, BG, BR, BW, BY, BZ, CA, CH, CN, CO, CR, CU, CZ, DE, DK, DM, DZ, EC, EE, EG, ES, FI, GB, GD, GE, GH, GM, HR, HU, ID, IL, IN, IS, JP, KE, KG, KP, KR, KZ, LC, LK, LR, LS, LT, LU, LV, MA, MD, MG, MK, MN, MW, MX, MZ, NA, NI, NO, NZ, OM, PG, PH, PL, PT, RO, RU, SC, SD, SE, SG, SK, SL, SY, TJ, TM, TN, TR, TT, TZ, UA, UG, UZ, VC, VN, YU, ZA, ZM, ZW, ARIPO patent (BW, GH, GM, KE, LS, MW, MZ, NA, SD, SL, SZ, TZ, UG, ZM, ZW), Eurasian patent (AM, AZ, BY, KG, KZ, MD, RU, TJ, TM), European patent (AT, BE, BG, CH, CY, CZ, DE, DK, EE, ES, FI, FR, GB, GR, HU, IE, IT, LU, MC, NL, PL, PT, RO, SE, SI, SK, TR), OAPI patent (BF, BJ, CF, CG, CI, CM, GA, GN, GQ, GW, ML, MR, NE, SN, TD, TG)

— as to the applicant's entitlement to claim the priority of the earlier application (Rule 4.17(iii)) for the following designations AE, AG, AL, AM, AT, AU, AZ, BA, BB, BG, BR, BW, BY, BZ, CA, CH, CN, CO, CR, CU, CZ, DE, DK, DM, DZ, EC, EE, EG, ES, FI, GB, GD, GE, GH, GM, HR, HU, ID, IL, IN, IS, JP, KE, KG, KP, KR, KZ, LC, LK, LR, LS, LT, LU, LV, MA, MD, MG, MK, MN, MW, MX, MZ, NA, NI, NO, NZ, OM, PG, PH, PL, PT, RO, RU, SC, SD, SE, SG, SK, SL, SY, TJ, TM, TN, TR, TT, TZ, UA, UG, UZ, VC, VN, YU, ZA, ZM, ZW, ARIPO patent (BW, GH, GM, KE, LS, MW, MZ, NA, SD, SL, SZ, TZ, UG, ZM, ZW), Eurasian patent (AM, AZ, BY, KG, KZ, MD, RU, TJ, TM), European patent (AT, BE, BG, CH, CY, CZ, DE, DK, EE, ES, FI, FR, GB, GR, HU, IE, IT, LU, MC, NL, PL, PT, RO, SE, SI, SK, TR), OAPI patent (BF, BJ, CF, CG, CI, CM, GA, GN, GQ, GW, ML, MR, NE, SN, TD, TG)

Published:

— with international search report

(88) Date of publication of the international search report:
28 April 2005

For two-letter codes and other abbreviations, refer to the "Guidance Notes on Codes and Abbreviations" appearing at the beginning of each regular issue of the PCT Gazette.

INTERNATIONAL SEARCH REPORT

International Application No
PCT/US2004/019755

A. CLASSIFICATION OF SUBJECT MATTER
IPC 7 G02B5/08

According to International Patent Classification (IPC) or to both national classification and IPC

B. FIELDS SEARCHED

Minimum documentation searched (classification system followed by classification symbols)

IPC 7 G02B

Documentation searched other than minimum documentation to the extent that such documents are included in the fields searched

Electronic data base consulted during the international search (name of data base and, where practical, search terms used)

EPO-Internal, PAJ, WPI Data, COMPENDEX, EMBASE

C. DOCUMENTS CONSIDERED TO BE RELEVANT

Category °	Citation of document, with indication, where appropriate, of the relevant passages	Relevant to claim No.
X	US 2002/154407 A1 (FRAZIER ROBERT L) 24 October 2002 (2002-10-24)	1,3-10
Y	paragraphs '0010! - '0017! paragraphs '0037!, '0038! figures 1-4 claims 1-23	2
P,X	----- US 2004/067374 A1 (GALLUCCI ROBERT R ET AL) 8 April 2004 (2004-04-08) the whole document	1-11
Y	----- US 6 355 723 B1 (VAN BAAL HARRY ET AL) 12 March 2002 (2002-03-12)	2
A	column 1, line 55 - column 2, line 52 column 4, lines 57-62 column 5, lines 1-38 table 2	1,3-10
	----- -/--	

Further documents are listed in the continuation of box C.

Patent family members are listed in annex.

° Special categories of cited documents :

- *A* document defining the general state of the art which is not considered to be of particular relevance
- *E* earlier document but published on or after the international filing date
- *L* document which may throw doubts on priority claim(s) or which is cited to establish the publication date of another citation or other special reason (as specified)
- *O* document referring to an oral disclosure, use, exhibition or other means
- *P* document published prior to the international filing date but later than the priority date claimed

- *T* later document published after the international filing date or priority date and not in conflict with the application but cited to understand the principle or theory underlying the invention
- *X* document of particular relevance; the claimed invention cannot be considered novel or cannot be considered to involve an inventive step when the document is taken alone
- *Y* document of particular relevance; the claimed invention cannot be considered to involve an inventive step when the document is combined with one or more other such documents, such combination being obvious to a person skilled in the art.
- *G* document member of the same patent family

Date of the actual completion of the international search

14 January 2005

Date of mailing of the international search report

24/01/2005

Name and mailing address of the ISA

European Patent Office, P.B. 5818 Patentlaan 2
NL - 2280 HV Rijswijk
Tel. (+31-70) 340-2040, Tx. 31 651 epo nl,
Fax: (+31-70) 340-3016

Authorized officer

Michalitsch, R

INTERNATIONAL SEARCH REPORT |

 International Application No
 PCT/US2004/019755

C.(Continuation) DOCUMENTS CONSIDERED TO BE RELEVANT

Category °	Citation of document, with indication, where appropriate, of the relevant passages	Relevant to claim No.
Y	PATENT ABSTRACTS OF JAPAN vol. 011, no. 151 (P-576), 16 May 1987 (1987-05-16) & JP 61 286801 A (TOKAI RIKA CO LTD), 17 December 1986 (1986-12-17) abstract -----	1,5,6
Y	PATENT ABSTRACTS OF JAPAN vol. 1997, no. 10, 31 October 1997 (1997-10-31) & JP 09 157635 A (SANYO CHEM IND LTD), 17 June 1997 (1997-06-17) abstract -----	1,5,6
A	EP 0 747 460 A (ARKWRIGHT INC) 11 December 1996 (1996-12-11) page 2, lines 10-14 page 2, line 49 page 3, lines 13-20 examples 1,2 -----	1-10
A	PATENT ABSTRACTS OF JAPAN vol. 014, no. 499 (M-1042), 31 October 1990 (1990-10-31) & JP 02 204508 A (HIROSHI NAKAJIMA; others: 01), 14 August 1990 (1990-08-14) abstract -----	1-10

INTERNATIONAL SEARCH REPORT

Information on patent family members

International Application No
PCT/US2004/019755

Patent document cited in search report	Publication date	Patent family member(s)	Publication date
US 2002154407	A1	24-10-2002	CA 2294658 A1 08-08-2000 DE 10005121 A1 05-10-2000 JP 2000241611 A 08-09-2000
US 2004067374	A1	08-04-2004	NONE
US 6355723	B1	12-03-2002	NONE
JP 61286801	A	17-12-1986	NONE
JP 09157635	A	17-06-1997	NONE
EP 0747460	A	11-12-1996	CA 2178525 A1 09-12-1996 EP 0747460 A1 11-12-1996 JP 9151368 A 10-06-1997 US 5804612 A 08-09-1998
JP 02204508	A	14-08-1990	JP 2110002 C 21-11-1996 JP 6041683 B 01-06-1994