



US00D690187S

(12) **United States Design Patent**
Deslias

(10) **Patent No.:** **US D690,187 S**

(45) **Date of Patent:** **** Sep. 24, 2013**

(54) **DEVICE FOR SECURING A CORK**

(75) Inventor: **Olivier Deslias**, Bourg Charente (FR)

(73) Assignee: **Les Bouchages Delage SAS**,
Gensac-la-Pallue (FR)

(**) Term: **14 Years**

(21) Appl. No.: **29/428,537**

(22) Filed: **Jul. 31, 2012**

(30) **Foreign Application Priority Data**

Feb. 1, 2012 (EM) 001984717-0001

(51) **LOC (9) Cl.** **08-07**

(52) **U.S. Cl.**
USPC **D8/330; D8/343**

(58) **Field of Classification Search**
USPC D8/330, 331, 332, 343, 346, 349;
70/14, 57, 57.1, 58, 51, 54, 141, 431, 465
See application file for complete search history.

(56) **References Cited**

U.S. PATENT DOCUMENTS

4,727,998	A *	3/1988	Simon	215/230
D335,439	S *	5/1993	Leyden et al.	D8/332
D445,683	S *	7/2001	Michael et al.	D9/443
D446,118	S *	8/2001	Michael et al.	D9/443
6,631,629	B1	10/2003	Fuss et al.	
6,886,376	B2 *	5/2005	Kuo	70/58
7,007,523	B2 *	3/2006	Belden, Jr.	70/57.1
D540,650	S *	4/2007	Durbin	D8/330
D596,520	S *	7/2009	Sayegh et al.	D10/106.92

7,570,161	B2 *	8/2009	Necchi	340/568.1
7,961,099	B2 *	6/2011	Rendon et al.	340/572.1
8,087,269	B2 *	1/2012	Conti et al.	70/14

FOREIGN PATENT DOCUMENTS

FR	1 226 132	A	7/1960
WO	2006/033124	A1	3/2006
WO	2009/032038	A1	3/2009
WO	2009/063526	A1	5/2009
WO	2010/055449	A2	5/2010

OTHER PUBLICATIONS

International Search Report, dated Nov. 3, 2011, from corresponding PCT application.

* cited by examiner

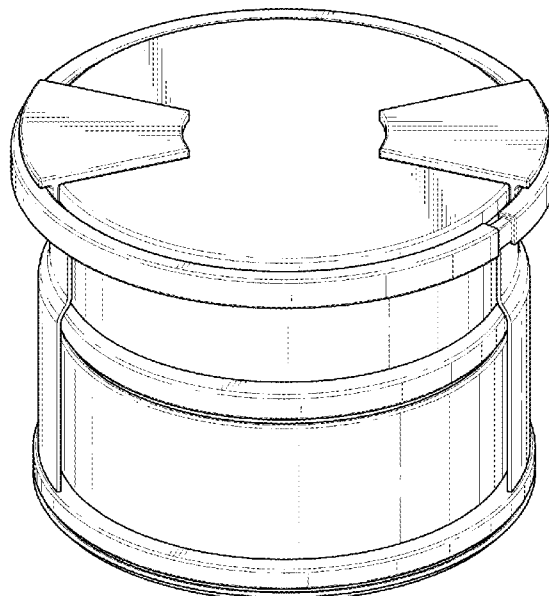
Primary Examiner — Prabhakar Deshmukh
(74) *Attorney, Agent, or Firm* — Young & Thompson

(57) **CLAIM**
The ornamental design for a device for securing a cork, as shown and described.

DESCRIPTION

FIG. 1 is a front and top perspective view of a device for securing a cork showing the new design;
FIG. 2 is a top plan view thereof;
FIG. 3 is a front elevation view thereof;
FIG. 4 is a rear elevation view thereof;
FIG. 5 is a right side elevation view thereof; and,
FIG. 6 is a left side elevation view thereof.

1 Claim, 4 Drawing Sheets



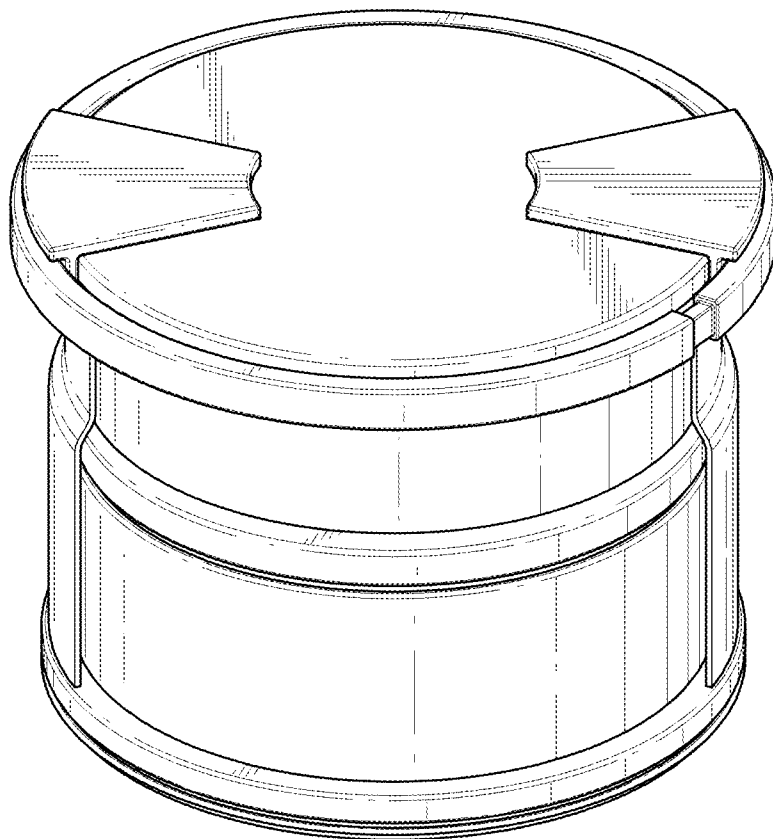


FIG. 1

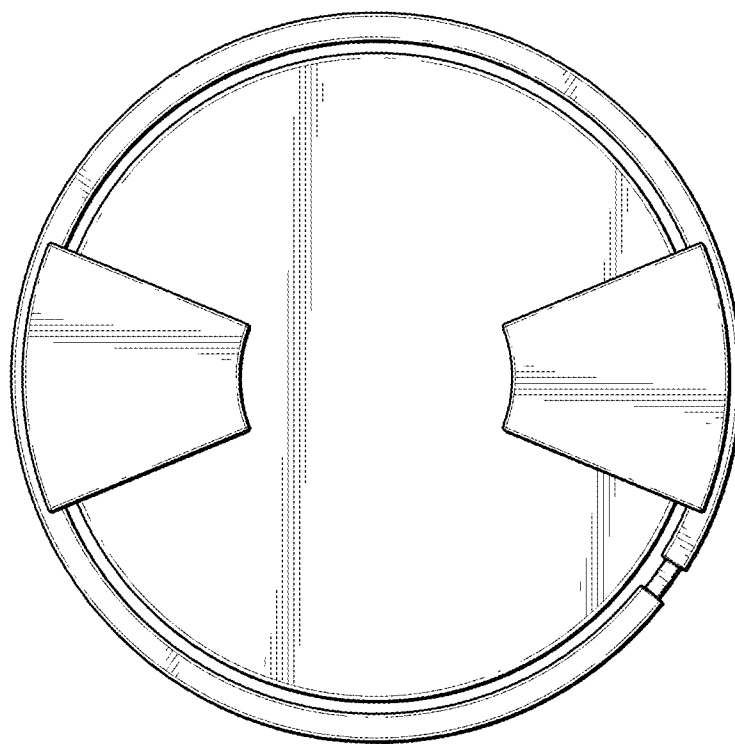


FIG. 2

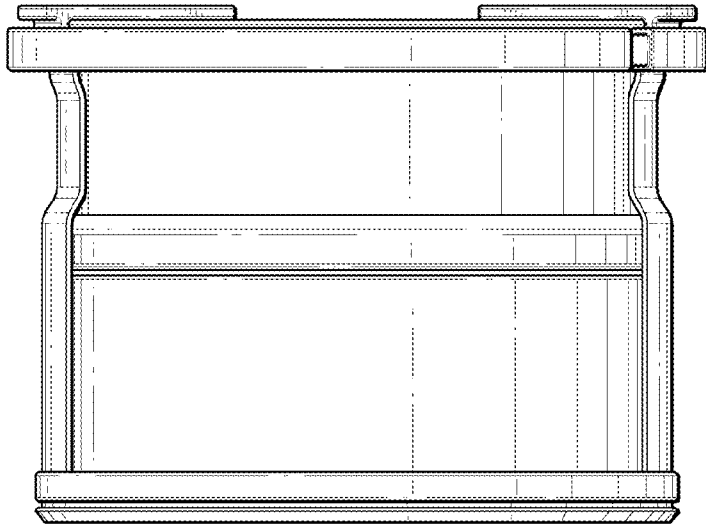


FIG. 3

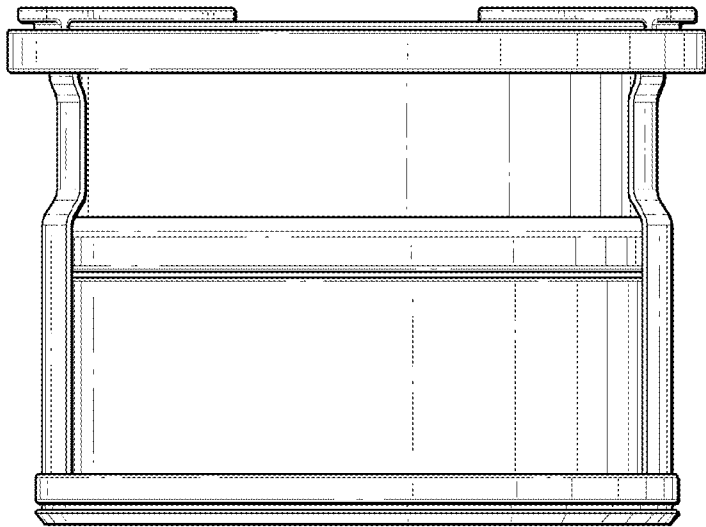


FIG. 4

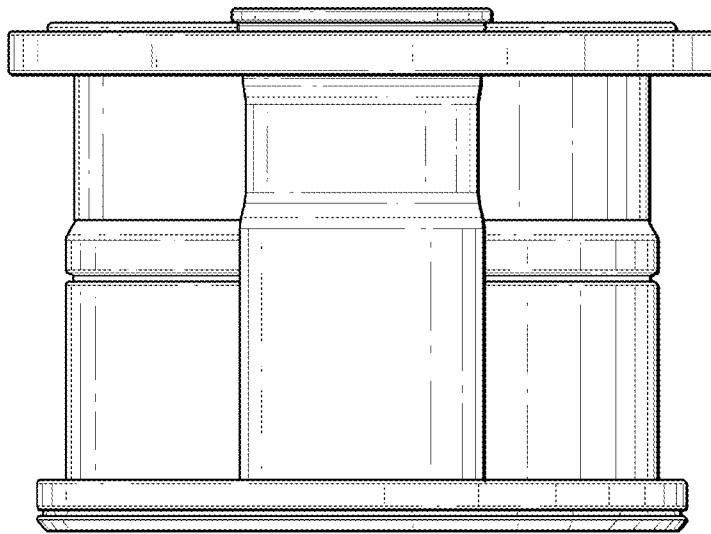


FIG. 5

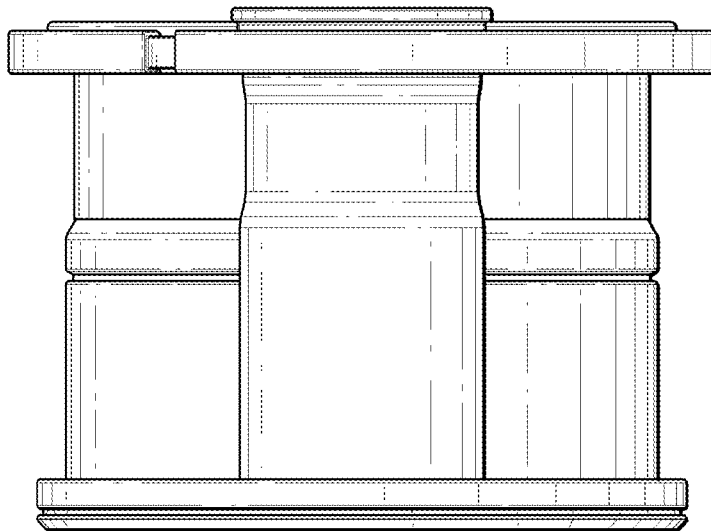


FIG. 6