



US00D496830S1

(12) **United States Design Patent**
Hockey

(10) **Patent No.:** **US D496,830 S**

(45) **Date of Patent:** **** Oct. 5, 2004**

(54) **SPICE CONTAINER WITH DISPENSING LID**

D318,778 S * 8/1991 Fiore et al. D7/591
D380,351 S * 7/1997 Jeppesen et al. D7/597

(75) **Inventor:** **Thomas W. J. Hockey**, Simi Valley,
CA (US)

* cited by examiner

(73) **Assignee:** **Leeds Engineering Corporation**,
Oxnard, CA (US)

Primary Examiner—Terry A. Wallace
(74) *Attorney, Agent, or Firm*—Jack C. Munro

(**) **Term:** **14 Years**

(57) **CLAIM**

(21) **Appl. No.:** **29/188,154**

The ornamental design for spice container with dispensing lid, as shown and described.

(22) **Filed:** **Aug. 12, 2003**

DESCRIPTION

(51) **LOC (7) Cl.** **07-06**

FIG. 1 is a perspective view of the spice container with dispensing lid showing my new design;

(52) **U.S. Cl.** **D7/591**

FIG. 2 is a front elevational view thereof with the rear view being identical;

(58) **Field of Search** D7/590–598; D9/509–513,
D9/549, 559, 447, 454; 222/142.1–142.9,
480, 482

FIG. 3 is a left side elevational view thereof with the right side being identical;

(56) **References Cited**

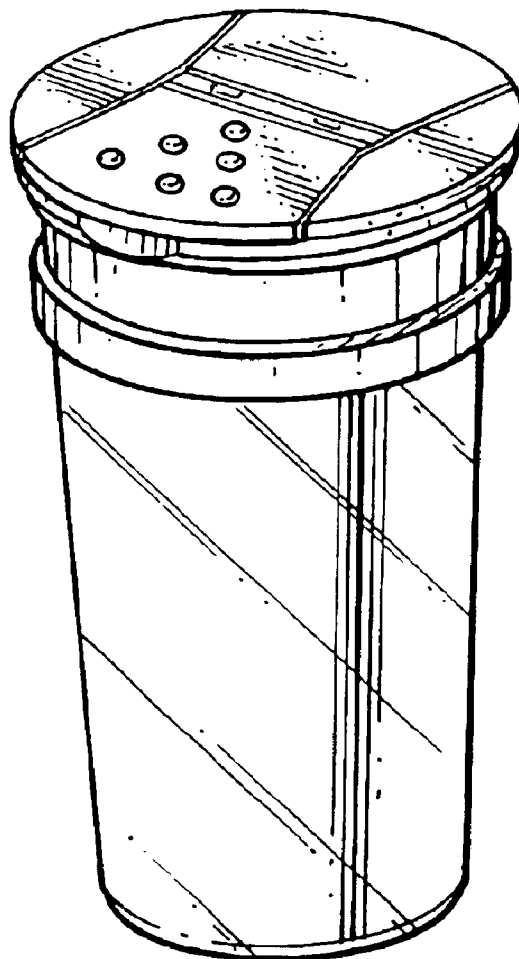
FIG. 4 is a top plan view thereof; and,

FIG. 5 is a bottom plan view thereof.

U.S. PATENT DOCUMENTS

3,140,019 A * 7/1964 Barr 222/480

1 Claim, 1 Drawing Sheet



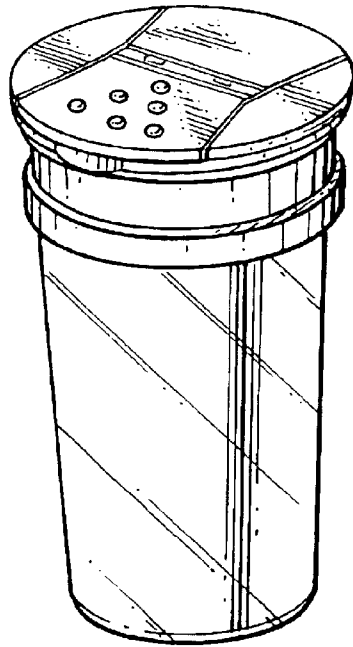


Fig. 1.

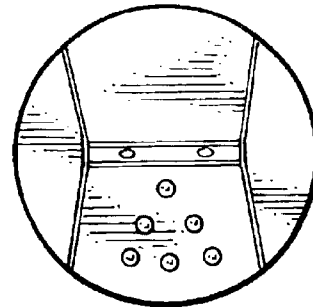


Fig. 4.

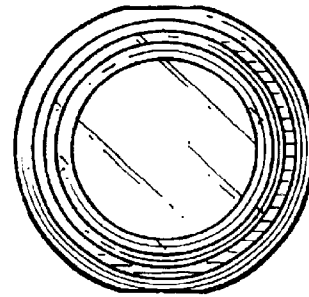


Fig. 5.

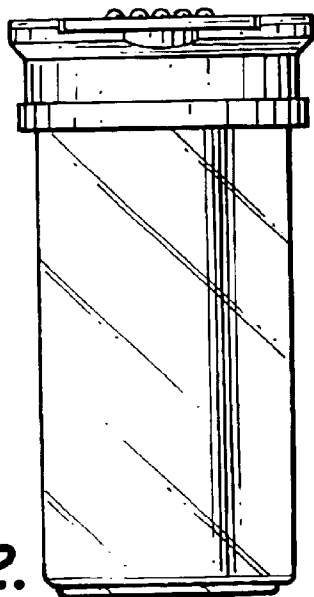


Fig. 2.

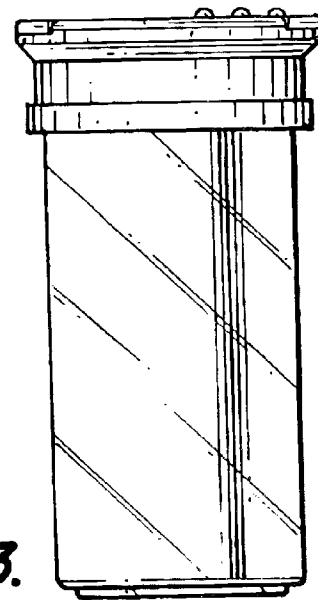


Fig. 3.