



US00D728302S

(12) **United States Design Patent**
Vu et al.

(10) **Patent No.:** **US D728,302 S**

(45) **Date of Patent:** **** May 5, 2015**

(54) **BLENDER**

366/64–65, 97–98, 100, 130, 197–201,
366/205–207, 219–220, 341–343

(71) Applicant: **De’Longhi Braun Household GmbH**,
Neu-Isenburg (DE)

See application file for complete search history.

(72) Inventors: **Duy Phong Vu**, Schwalbach am Taunus
(DE); **Markus Orthey**, Eltville am
Rhein (DE); **Sven Wuttig**, Griesheim
(DE); **Dennis Müller**, Frankfurt am
Main (DE)

(56) **References Cited**

U.S. PATENT DOCUMENTS

3,175,594	A *	3/1965	Jepson et al.	241/199.12
D204,924	S *	5/1966	Di Sesa	D7/378
D502,358	S *	3/2005	Weaden	D7/378
D519,314	S *	4/2006	Blaise	D7/378
D553,425	S *	10/2007	Steiner et al.	D7/378
D553,426	S *	10/2007	Lin	D7/378
D556,506	S *	12/2007	Spagnolo	D7/378
D578,340	S *	10/2008	Picozza et al.	D7/378
D613,547	S *	4/2010	Day et al.	D7/378
D629,643	S *	12/2010	Bower	D7/378

(Continued)

Primary Examiner — Ricky Pham

(73) Assignee: **De’Longhi Braun Household GmbH**,
Neu-Isenburg (DE)

(74) *Attorney, Agent, or Firm* — Fish & Richardson P.C.

(**) Term: **14 Years**

(21) Appl. No.: **29/483,981**

(22) Filed: **Mar. 5, 2014**

(30) **Foreign Application Priority Data**

Sep. 6, 2013 (EM) 002303990-0001

(51) **LOC (10) Cl.** **31-00**

(57) **CLAIM**

(52) **U.S. Cl.**
USPC **D7/378**; D7/376; D7/379

The ornamental design for a blender, substantially as shown
and described.

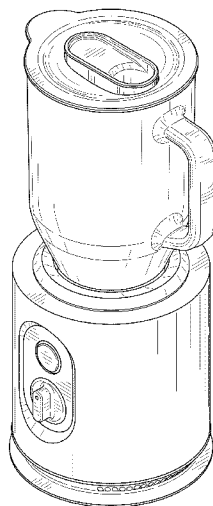
(58) **Field of Classification Search**

CPC A21C 1/02; A21C 1/04; A23N 1/00;
A23N 1/02; A47J 43/04; A47J 43/25; A47J
43/27; A47J 43/042; A47J 43/044; A47J
43/046; A47J 43/075; A47J 43/0722; A47J
43/0727; A47J 43/0777; B01F 3/00; B01F
3/0807; B01F 3/0853; B01F 13/0059; B01F
13/0064; B02C 1/08; B02C 2/04; B02C 4/42;
B02C 4/142; B02C 4/143; B02C 4/423;
B02C 13/1835; B28C 5/10; B28C 5/12;
B28C 5/14; B28C 5/16
USPC D7/326, 372, 376–386, 412–413, 602,
D7/629, 665–666, 669, 679, 693–694,
99/509–511; 241/92, 98,
241/101.01–101.2, 166–169.1, 199.12,
241/274–278.2, 285.1–285.3, 291, 292.1;

DESCRIPTION

FIG. 1 is a left side view of a blender of the design.
FIG. 2 is an opposite, right side view of a blender of the design.
FIG. 3 is a rear view of a blender of the design.
FIG. 4 is a front view of a blender of the design.
FIG. 5 is a top view of a blender of the design.
FIG. 6 is a bottom view of a blender of the design; and,
FIG. 7 is a top, rear and left side perspective view of a blender
of the design.

1 Claim, 4 Drawing Sheets



US D728,302 S

Page 2

(56)

References Cited

U.S. PATENT DOCUMENTS

D679,935 S *	4/2013	Tse et al.	D7/326	
2004/0042337 A1 *	3/2004	Yiu et al.	366/199	
D630,467 S *	1/2011	Harrod	D7/376	* cited by examiner

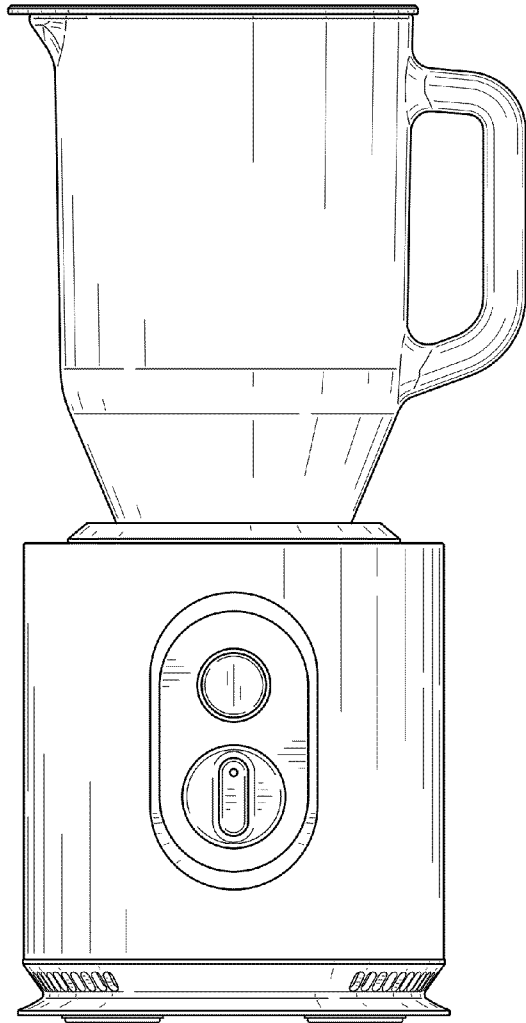


FIG. 1

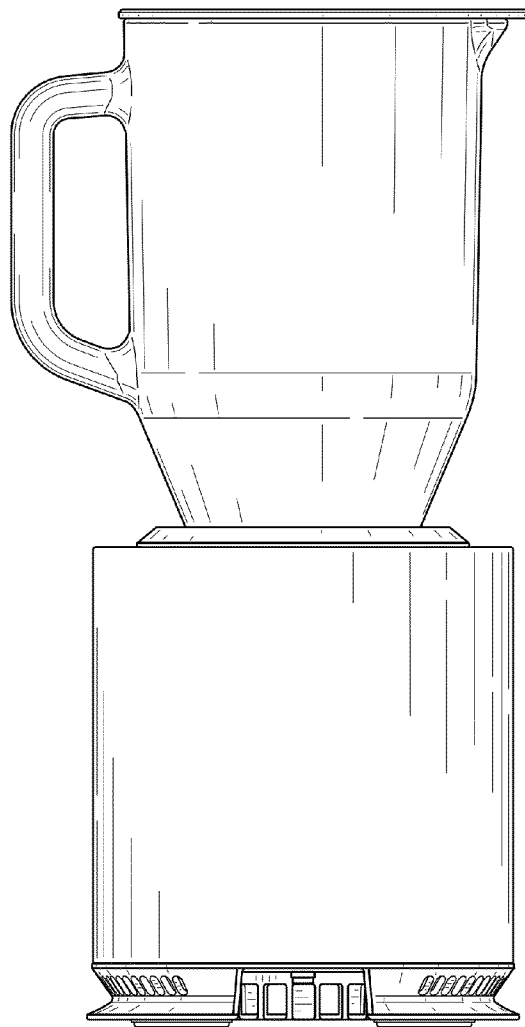


FIG. 2

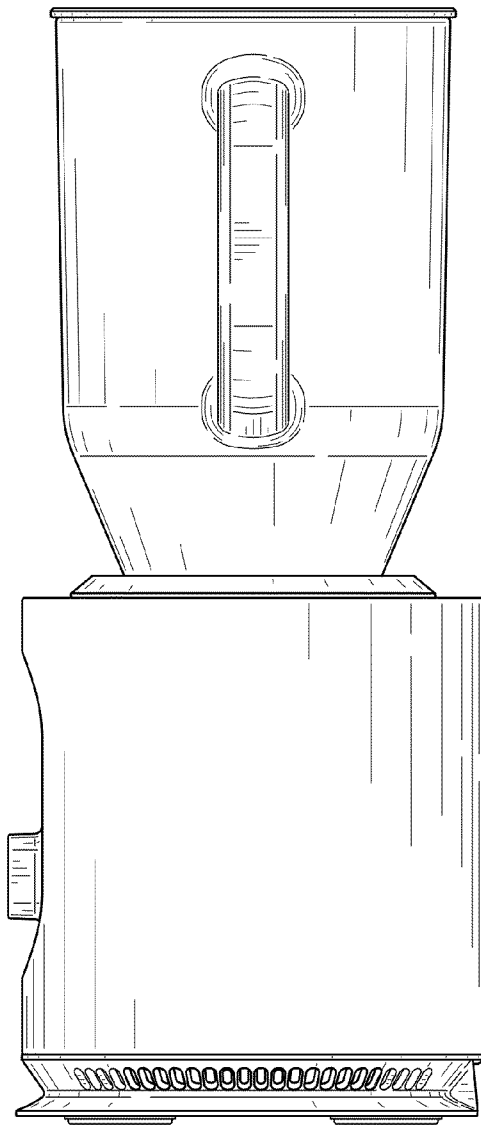


FIG. 3

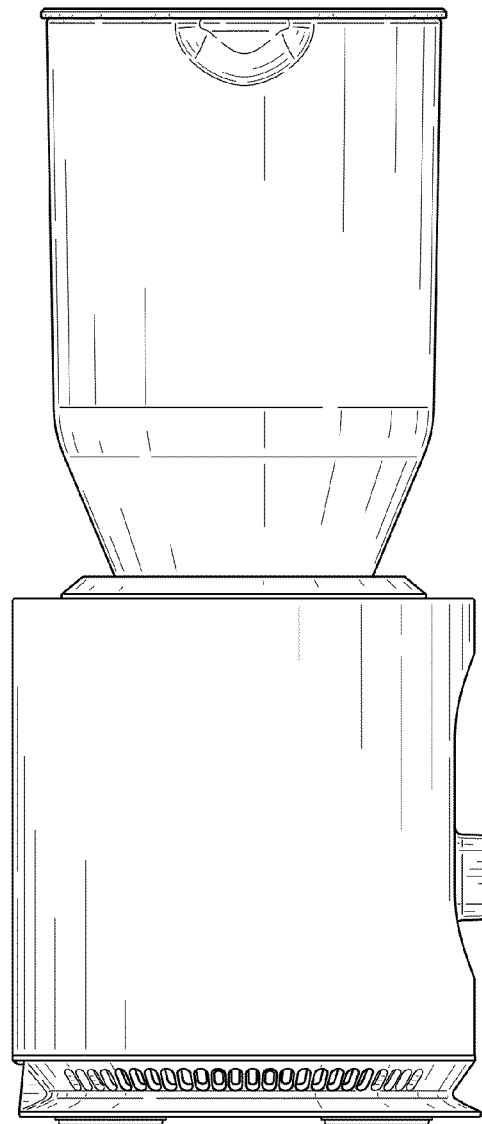


FIG. 4

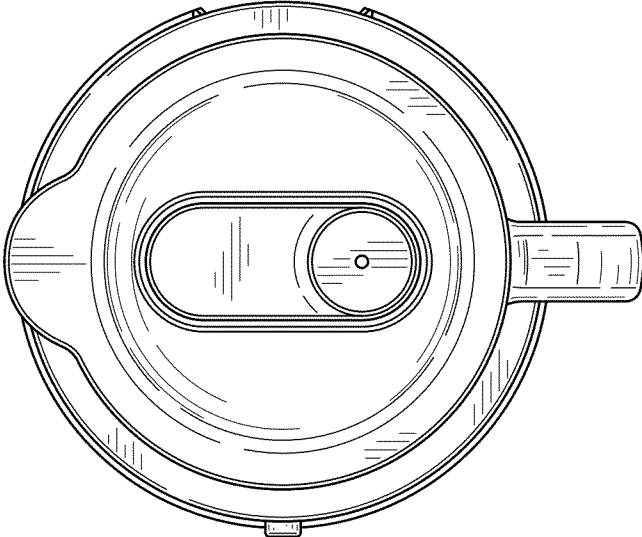


FIG. 5

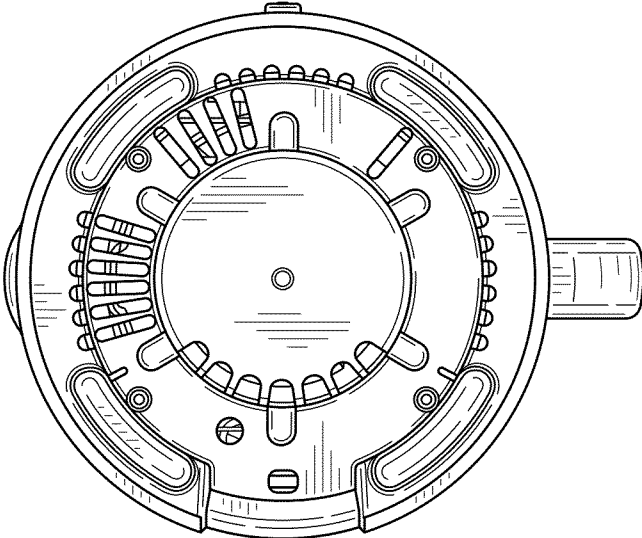


FIG. 6

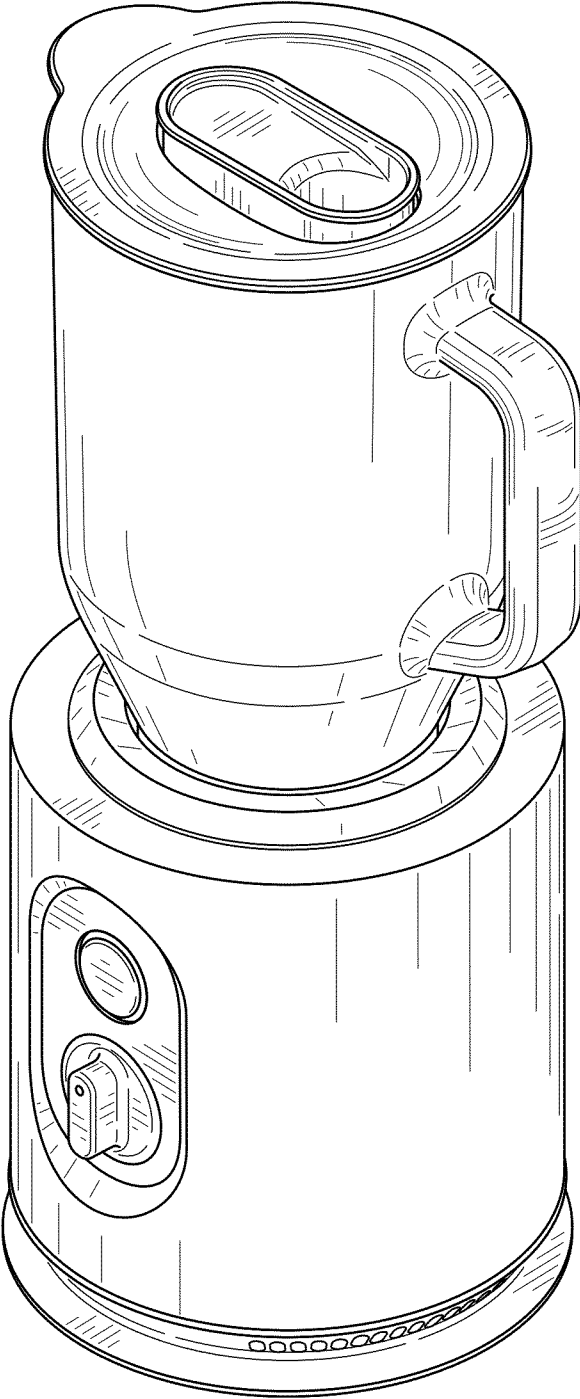


FIG. 7