



US0D1069007S

(12) **United States Design Patent**
Palmeiri

(10) **Patent No.:** **US D1,069,007 S**

(45) **Date of Patent:** **** Apr. 1, 2025**

- (54) **CANDY SLIDE**
- (71) Applicant: **CALIFORNIA COSTUME COLLECTIONS, INC.**, Los Angeles, CA (US)
- (72) Inventor: **Paul Eric Palmeiri**, Encino, CA (US)
- (73) Assignee: **CALIFORNIA COSTUME COLLECTIONS, INC.**, Los Angeles, CA (US)
- (**) Term: **15 Years**
- (21) Appl. No.: **29/816,658**
- (22) Filed: **Nov. 23, 2021**
- (51) **LOC (15) Cl.** **21-03**
- (52) **U.S. Cl.**
USPC **D21/818**
- (58) **Field of Classification Search**
USPC D21/386, 366, 367, 300, 398, 486, 818,
D21/820, 811, 373, 371, 372, 363, 374,
D21/381, 380, 362, 364, 455, 503, 504,
D21/505; D1/102, 199
CPC A63H 33/00; A63F 9/04
See application file for complete search history.

- 3,910,377 A * 10/1975 Zamorski A62B 1/20
182/48
- D806,816 S * 1/2018 Forbes D21/818
- 12,165,510 B1 * 12/2024 Soto, Jr. G08G 1/095
- 2016/0355312 A1 * 12/2016 Paternina Leon B65D 65/42

OTHER PUBLICATIONS

The rock slide, announced 2020 [online], [site visited Dec. 14, 2024]. Available on internet, URL:<https://www.amazon.com/Rock-Slide-Polished-Brass-Medium/dp/B071WSTJVT> (Year: 2020).*

* cited by examiner

Primary Examiner — Khawaja Anwar
Assistant Examiner — Julice Seung Eun Oum
(74) *Attorney, Agent, or Firm* — LOZA & LOZA LLP;
Derek Yeung

(56) **References Cited**

U.S. PATENT DOCUMENTS

- D142,149 S * 8/1945 Chicone et al. D21/455
- 2,425,471 A * 8/1947 Helgren A63H 7/04
446/287
- 2,465,187 A * 3/1949 Barrabee A63G 21/02
104/69
- D174,950 S * 6/1955 Frishberg D25/68
- D212,018 S * 8/1968 Jamison et al. D21/820

(57) **CLAIM**

The ornamental design for a candy slide substantially as shown and described.

DESCRIPTION

FIG. 1 is a perspective view of a candy slide in accordance with the present design.

FIG. 2 is a right side view of the candy slide of FIG. 1.

FIG. 3 is a left side view of the candy slide of FIG. 1.

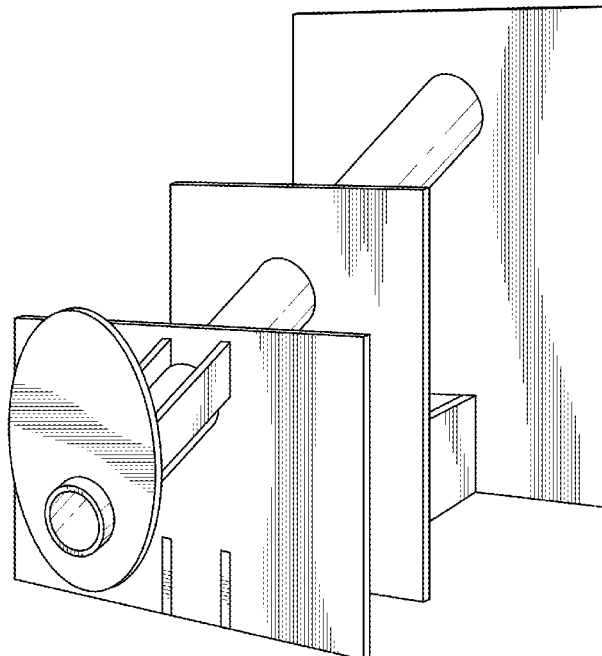
FIG. 4 is a front view of the candy slide of FIG. 1.

FIG. 5 is a rear view of the candy slide of FIG. 1.

FIG. 6 is a top plan view of the candy slide of FIG. 1; and,

FIG. 7 is a bottom plan view of the candy slide of FIG. 1.

1 Claim, 6 Drawing Sheets



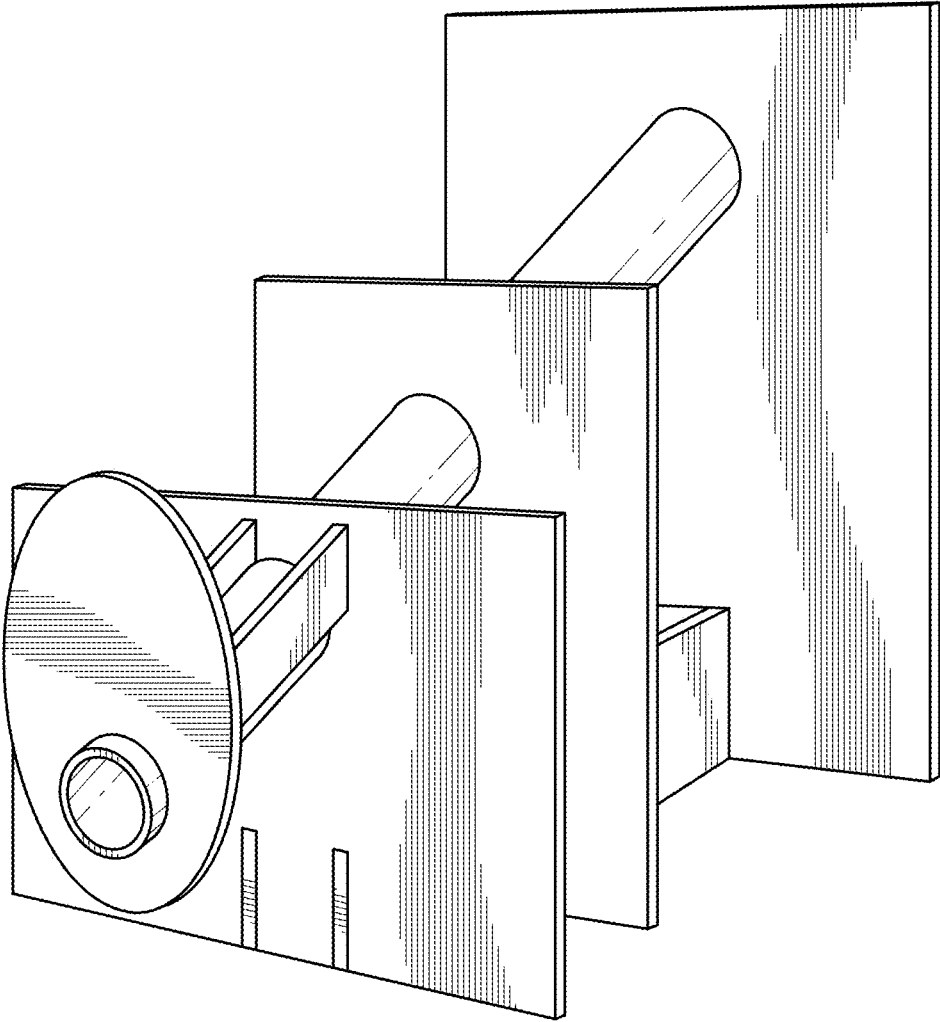


FIG. 1

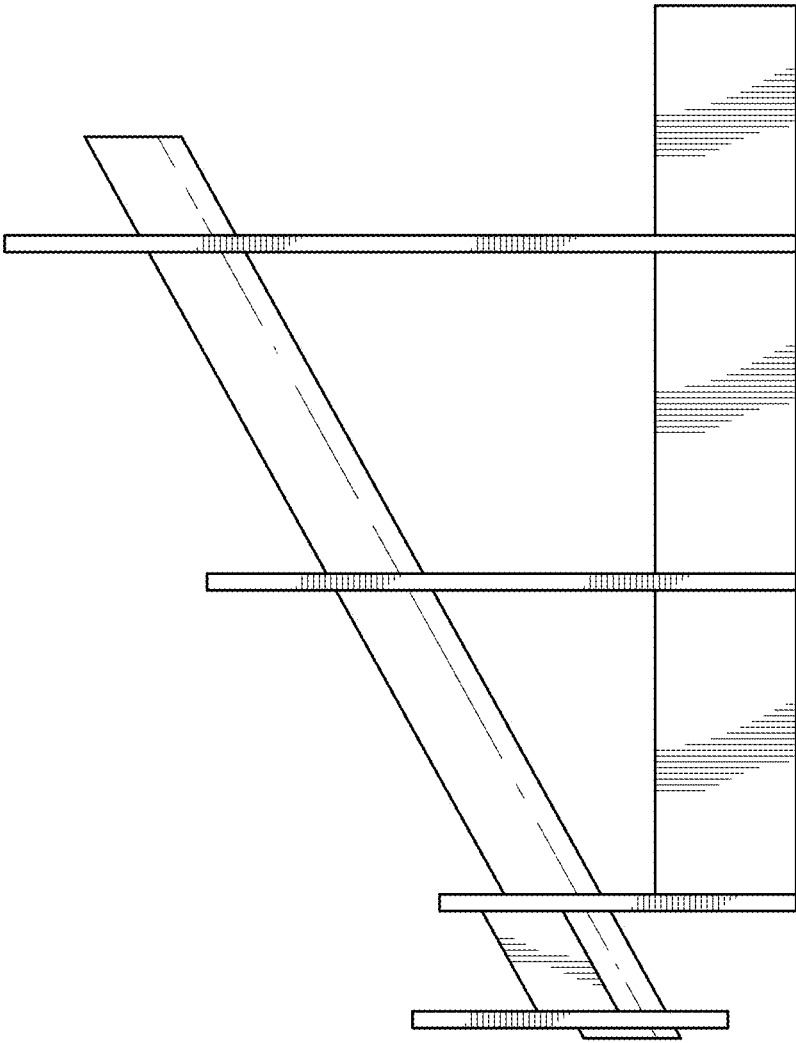


FIG. 2

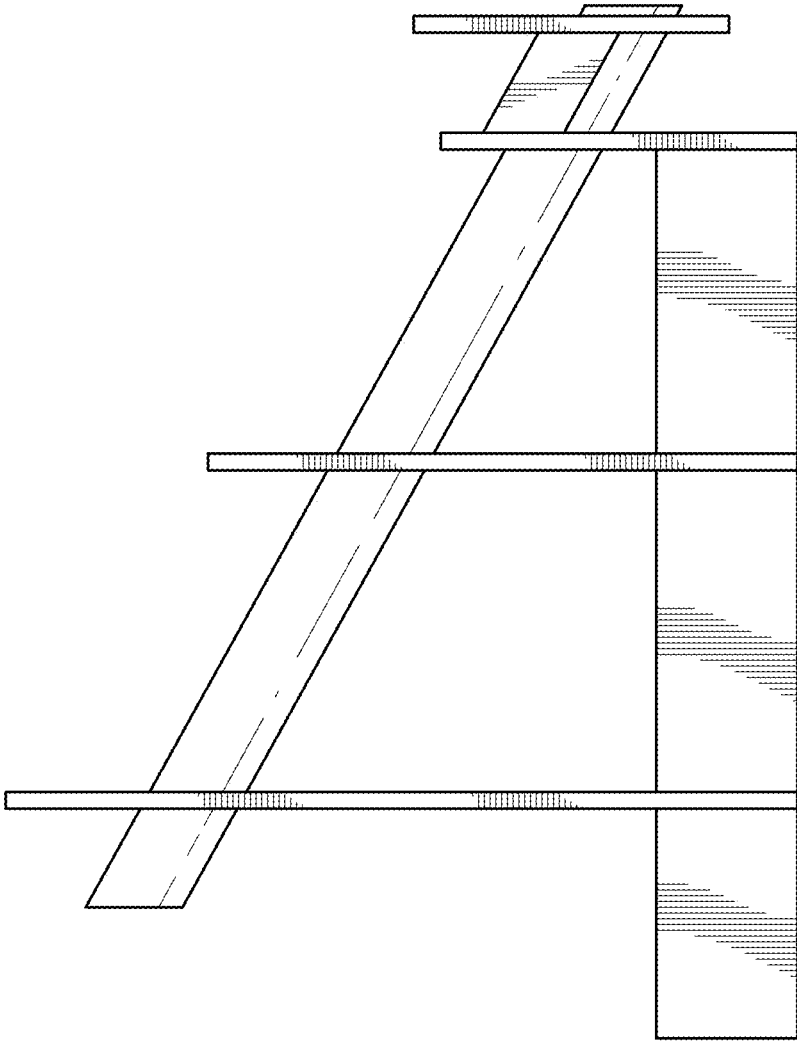


FIG. 3

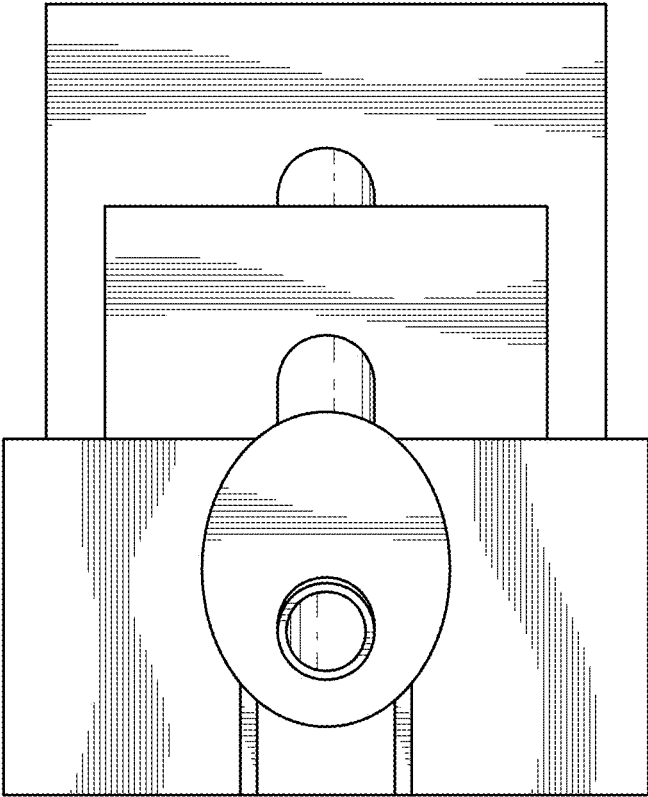


FIG. 4

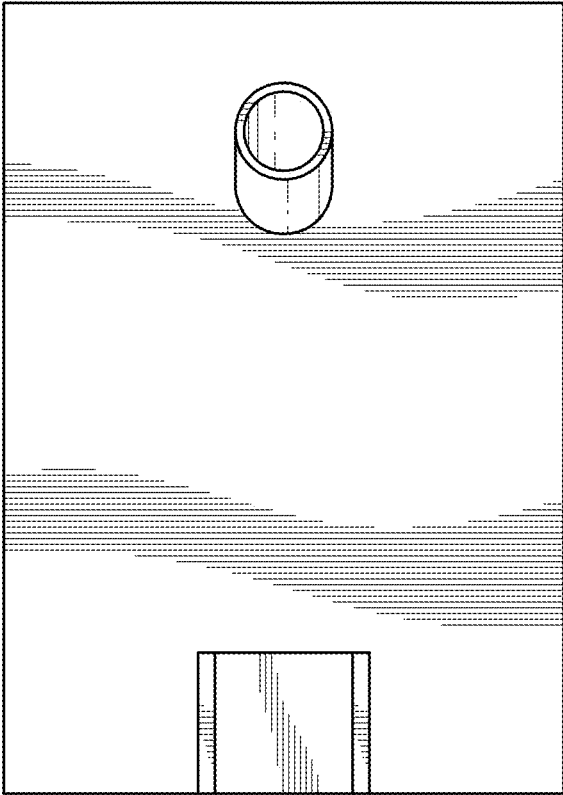


FIG. 5

FIG. 6

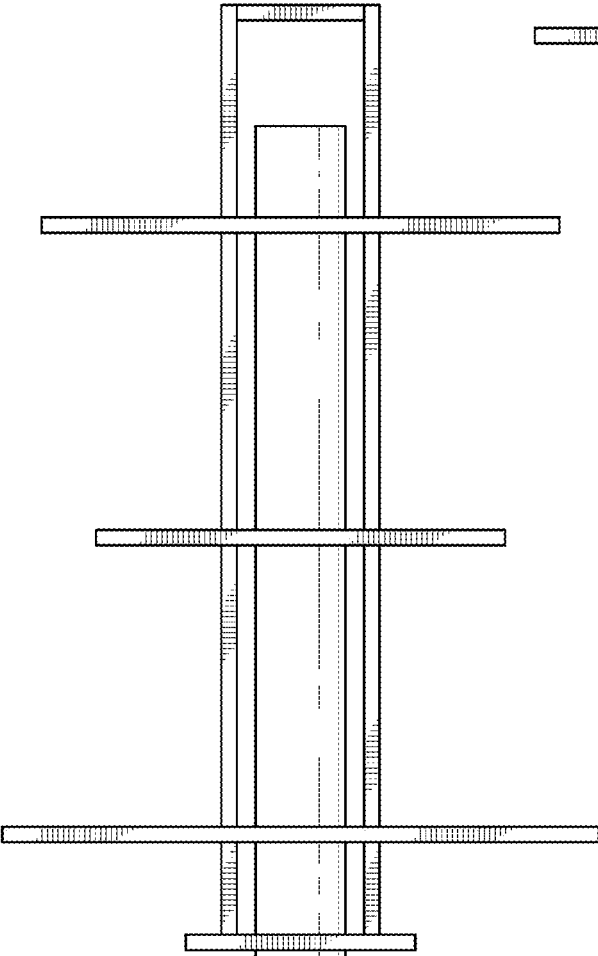


FIG. 7

