

(19) World Intellectual Property Organization
International Bureau



(43) International Publication Date
3 July 2008 (03.07.2008)

PCT

(10) International Publication Number
WO 2008/079482 A3

- (51) **International Patent Classification:**
B41J 2/175 (2006.01)
- (21) **International Application Number:**
PCT/US2007/081479
- (22) **International Filing Date:** 16 October 2007 (16.10.2007)
- (25) **Filing Language:** English
- (26) **Publication Language:** English
- (30) **Priority Data:**
11/588,485 27 October 2006 (27.10.2006) US
- (71) **Applicant (for all designated States except US):** **Static Control Components, Inc.** [US/US]; 3010 Lee Avenue, PO Box 152, Sanford, North Carolina 27331 (US).
- (72) **Inventors; and**
- (75) **Inventors/Applicants (for US only):** **LONDON, William, L.** [US/US]; 9449 NC 87 South, Sanford, North Carolina 27330 (US). **QUINLEY, Steven R.** [US/US]; 2400 Amberwynd Court, Hillsborough, North Carolina 27278 (US).
- (74) **Agent:** **MOORE, Charles, L.;** P.O. Box 13706, Research Triangle Park, North Carolina 27709 (US).
- (81) **Designated States (unless otherwise indicated, for every kind of national protection available):** AE, AG, AL, AM,

AT, AU, AZ, BA, BB, BG, BH, BR, BW, BY, BZ, CA, CH, CN, CO, CR, CU, CZ, DE, DK, DM, DO, DZ, EC, EE, EG, ES, FI, GB, GD, GE, GH, GM, GT, HN, HR, HU, ID, IL, IN, IS, JP, KE, KG, KM, KN, KP, KR, KZ, LA, LC, LK, LR, LS, LT, LU, LY, MA, MD, ME, MG, MK, MN, MW, MX, MY, MZ, NA, NG, NI, NO, NZ, OM, PG, PH, PL, PT, RO, RS, RU, SC, SD, SE, SG, SK, SL, SM, SV, SY, TJ, TM, TN, TR, TT, TZ, UA, UG, US, UZ, VC, VN, ZA, ZM, ZW

(84) **Designated States (unless otherwise indicated, for every kind of regional protection available):** ARIPO (BW, GH, GM, KE, LS, MW, MZ, NA, SD, SL, SZ, TZ, UG, ZM, ZW), Eurasian (AM, AZ, BY, KG, KZ, MD, RU, TJ, TM), European (AT, BE, BG, CH, CY, CZ, DE, **DK**, EE, ES, FI, FR, GB, GR, HU, IE, **IS**, IT, LT, LU, LV, MC, MT, NL, PL, PT, **RO**, SE, **SI**, SK, TR), OAPI (BF, **BJ**, CF, CG, CI, CM, GA, GN, GQ, GW, ML, **MR**, NE, SN, TD, TG).

Declarations under Rule 4.17:

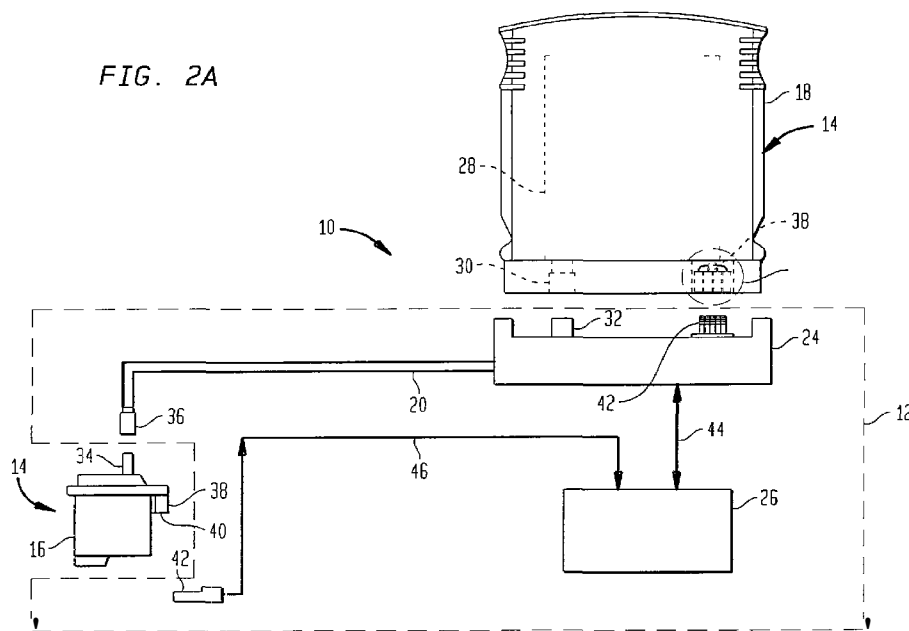
- as to applicant's entitlement to apply for and be granted a patent (Rule 4.17(U))
- as to the applicant's entitlement to claim the priority of the earlier application (Rule 4.17(Ui))

Published:

- with international search report

[Continued on next page]

(54) **Title:** METHOD AND APPARATUS FOR SPOOFING IMAGING DEVICES



(57) **Abstract:** Techniques for spoofing an imaging device adapted for reading data from an electrical storage device to determine a volume of ink in an ink container include providing a replacement electrical storage device for use with the ink container, the replacement electrical storage device comprising memory locations; and responding, by the replacement electrical storage device, to reads of memory locations of the replacement electrical storage device by returning data to the imaging device which causes the imaging device to calculate an inaccurate initial volume of ink stored in the ink container.

WO 2008/079482 A3



(88) Date of publication of the international search report:

16 October 2008

(15) Information about Correction:

Previous Correction:

see Notice of 28 August 2008

INTERNATIONAL SEARCH REPORT

International application No
PCT/US2007/081479

A. CLASSIFICATION OF SUBJECT MATTER
INV. B4102/175

According to International Patent Classification (IPC) or to both national classification and IPC

B. FIELDS SEARCHED

Minimum documentation searched (classification system followed by classification symbols)
B41J

Documentation searched other than minimum documentation to the extent that such documents are included in the fields searched

Electronic data base consulted during the international search (name of data base and, where practical, search terms used)

EPO-Internal , WPI Data

C. DOCUMENTS CONSIDERED TO BE RELEVANT

Category*	Citation of document, with indication, where appropriate, of the relevant passages	Relevant to claim No.
X	US 6 000 773 A (MURRAY RICHARD A [US] ET AL) 14 December 1999 (1999-12-14) column 8 , line 58 - column 9 , line 29 -----	1-8
X	EP. 0 940 259 A (HEWLETT PACKARD CO [US]) 8 September 1999 (1999-09-08) paragraph [0037] -----	1-8
X	EP 0 854 043 A (HEWLETT PACKARD CO [US]) 22 July 1998 (1998-07-22) page 6 , line 24 - line 30 -----	1-8
X	EP 0 882 595 A (HEWLETT PACKARD CO [US]) 9 December 1998 (1998-12-09) column 9 , line 27 - line 42 -----	1-8
	-/~	

Further documents are listed in the continuation of Box C.

See patent family annex

* Special categories of cited documents .

'A' document defining the general state of the art which is not considered to be of particular relevance

'E' earlier document but published on or after the international filing date

'L' document which may throw doubts on priority claim(s) or which is cited to establish the publication date of another citation or other special reason (as specified)

'O' document referring to an oral disclosure, use, exhibition or other means

'P' document published prior to the international filing date but later than the priority date claimed

'T' later document published after the international filing date or priority date and not in conflict with the application but cited to understand the principle or theory underlying the invention

'X' document of particular relevance; the claimed invention cannot be considered novel or cannot be considered to involve an inventive step when the document is taken alone

'Y' document of particular relevance; the claimed invention cannot be considered to involve an inventive step when the document is combined with one or more other such documents, such combination being obvious to a person skilled in the art.

'&' document member of the same patent family

Date of the actual completion of the international search

16 July 2008

Date of mailing of the international search report

30/07/2008

Name and mailing address of the ISA/

European Patent Office, P.B. 5818 Patentlaan 2 .
NL - 2280 HV Rijswijk
Tel (+31-70) 340-2040, Tx. 31 651 epo nl,
Fax: (+31-70) 340-3016

Authorized officer

Adam, Emmanuel

INTERNATIONAL SEARCH REPORT

International application No PCT/US2007/081479

C(Continuation). DOCUMENTS CONSIDERED TO BE RELEVANT		
Category*	Citation of document, with indication, where appropriate, of the relevant passages	Relevant to claim No.
X	EP 1 004 449 A (SEIKO EPSON CORP [JP]) 31 May 2000 (2000-05-31) paragraph [0060] -----	1-8
A	EP 0 789 322 A (HEWLETT PACKARD CO [US]) 13 August 1997 (1997-08-13) -----	

INTERNATIONAL SEARCH REPORT

Information on patent family members

International application No

PCT/US2007/081479

Patent document cited in search report	Publication date	Patent family member(s)	Publication date
US 6000773	A	14-12-1999	AU 3241795 A 07-03-1996
			UO 9605061 AI 22-02-1996
EP 0940259	A	08-09-1999	CN 1227794 A 08-09-1999
			DE 69917694 DI 08-07-2004
			DE 69917694 T2 21-07-2005
			JP 3827879 B2 27-09-2006
			JP 11291517 A 26-10-1999
EP 0854043	A	22-07-1998	DE 69704477 DI 10-05-2001
			DE 69704477 T2 12-07-2001
			JP 10217509 A 18-08-1998
			US 6170937 BI 09-01-2001
			US 6227638 BI 08-05-2001
			US 5812156 A 22-09-1998
			US 6126265 A 03-10-2000
EP 0882595	A	09-12-1998	CN 1201142 A 09-12-1998
			DE 69819815 DI 24-12-2003
			DE 69819815 T2 23-09-2004
			ES 2206773 T3 16-05-2004
			JP 10337878 A 22-12-1998
			US 6151039 A 21-11-2000
EP 1004449	A	31-05-2000	AR 059123 A2 12-03-2008
			AR 059200 A2 19-03-2008
			AU 760585 B2 15-05-2003
			BR 9913825 A 20-11-2001
			CA 2290296 AI 26-05-2000
			CN 1443647 A 24-09-2003
			CN 1261583 A 02-08-2000
			DE 19956702 AI 21-06-2000
			FR 2786432 AI 02-06-2000
			GB 2346830 A 23-08-2000
			HK 1058505 AI 24-03-2006
			JP 2000218818 A 08-08-2000
			KR 20000035642 A 26-06-2000
			NZ 501314 A 25-05-2001
			SG 99858 AI 27-11-2003
			SG 130000 AI 20-03-2007
			TW 255154 Y 11-01-2005
US 6447090 BI 10-09-2002			
EP 0789322	A	13-08-1997	DE 69717325 DI 09-01-2003
			DE 69717325 T2 02-10-2003
			JP 9309213 A 02-12-1997