



US00D511208S

(12) **United States Design Patent**
Pardonge et al.

(10) **Patent No.:** **US D511,208 S**

(45) **Date of Patent:** **** Nov. 1, 2005**

(54) **METERED DOSE INHALER**

2004/0089292 A1 * 5/2004 Pollet et al. 128/200.23

(75) Inventors: **Jean-Marc Pardonge**, Les Authieux
S/Port St Ouen (FR); **Armino Lourenco**,
Noyelle-Godault (FR)

* cited by examiner

Primary Examiner—Ian Simmons
(74) *Attorney, Agent, or Firm*—Sughrue Mion, PLLC

(73) Assignee: **Valois SAS**, Neubourg (FR)

(57) **CLAIM**

(**) Term: **14 Years**

The ornamental design for a metered dose inhaler, as shown.

(21) Appl. No.: **29/192,403**

DESCRIPTION

(22) Filed: **Oct. 24, 2003**

(51) **LOC (8) Cl.** **29-02**

(52) **U.S. Cl.** **D24/110**

(58) **Field of Search** D24/110; 128/203.12,
128/203.15, 205.23, 200.23, 200.21, 200.12,
200.14

FIG. 1 is a perspective view of front and left side of a metered dose inhaler showing our new design; FIG. 2 is a perspective view of the front and right side thereof; FIG. 3 is an exploded perspective view thereof; FIG. 4 is a perspective view similar to FIG. 2 with one cover member removed; FIG. 5 is a front view thereof; FIG. 6 is a rear view thereof; FIG. 7 is a bottom view thereof; FIG. 8 is a top view thereof; FIG. 9 is a left side view thereof; and, FIG. 10 is a right side view thereof. The colors shown in the photographs form no part of the claimed design.

(56) **References Cited**

U.S. PATENT DOCUMENTS

4,576,157	A	*	3/1986	Raghuprasad	128/203.15
6,041,779	A	*	3/2000	Juusela	128/205.23
D433,502	S	*	11/2000	Rand	D24/110
6,481,438	B1	*	11/2002	Gallem et al.	128/205.23
2002/0189611	A1	*	12/2002	Greenwood et al.	...	128/200.23
2003/0230304	A1	*	12/2003	Blacker et al.	128/200.23

1 Claim, 5 Drawing Sheets



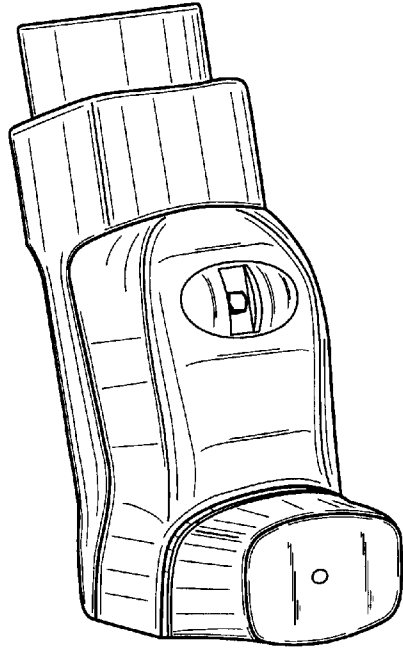


Fig. 1

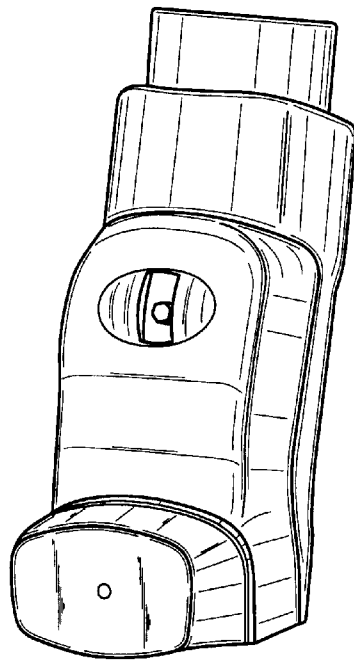


Fig. 2

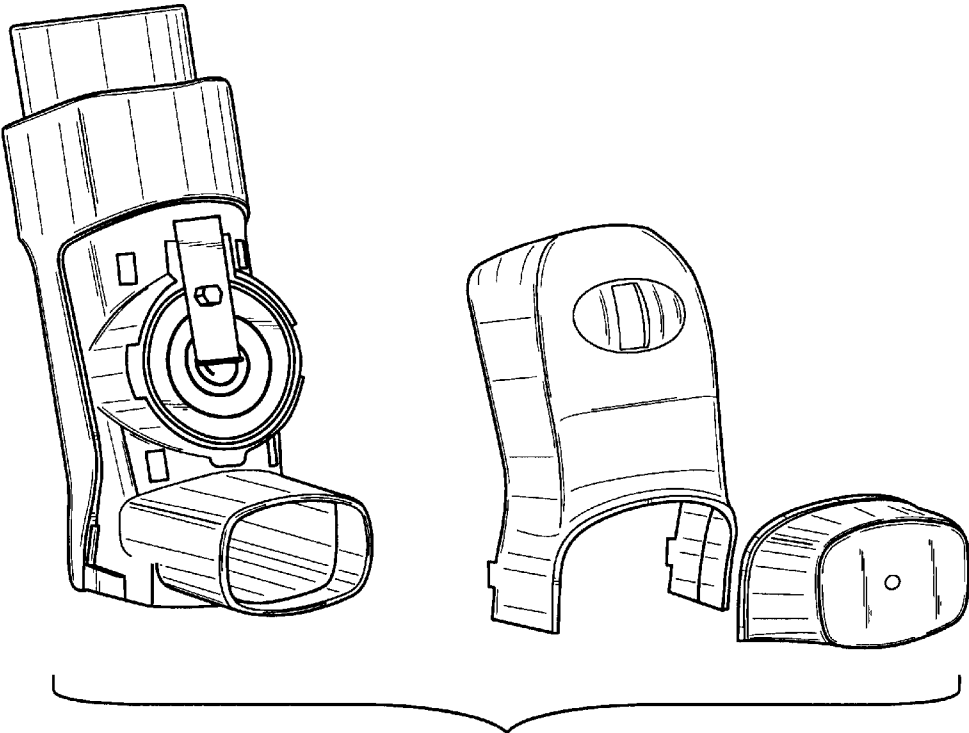


Fig. 3

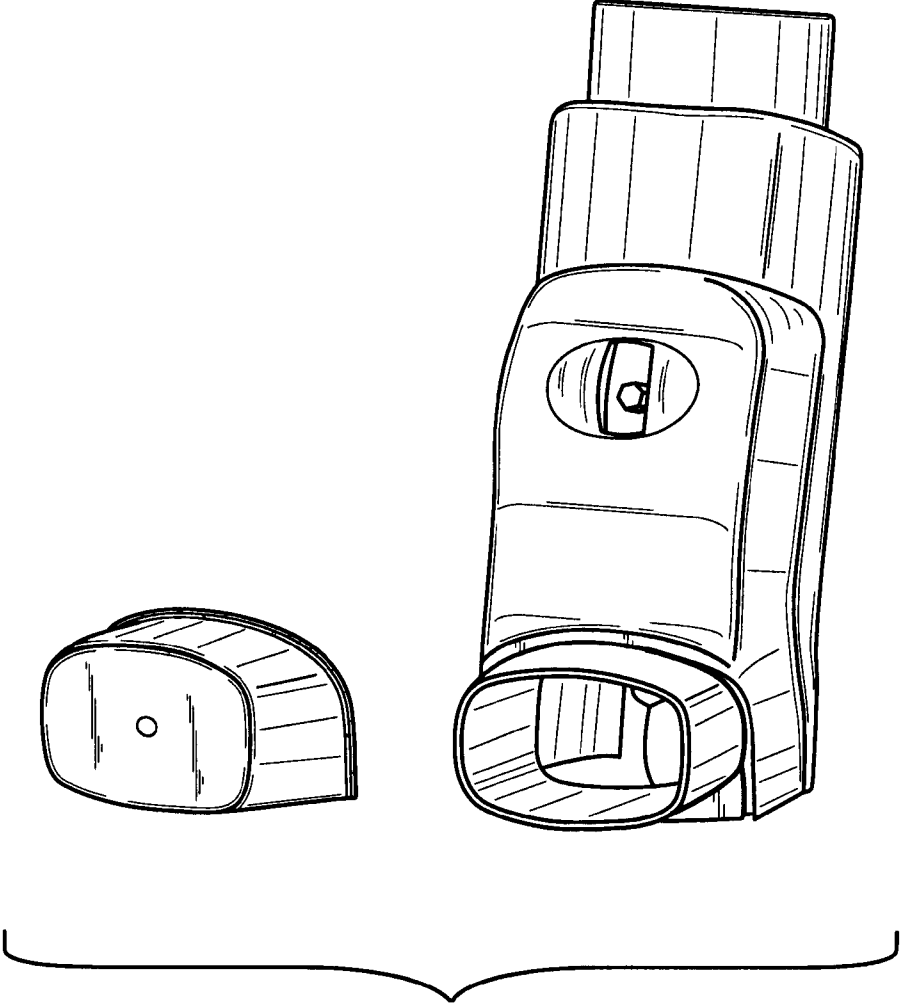


Fig. 4

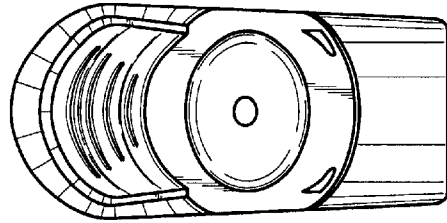


Fig. 7

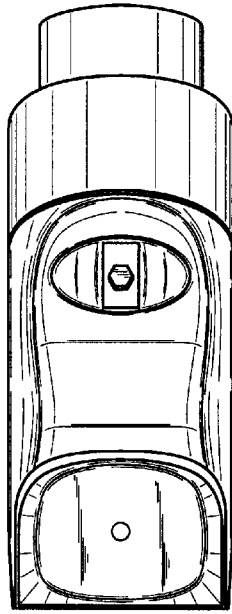


Fig. 5

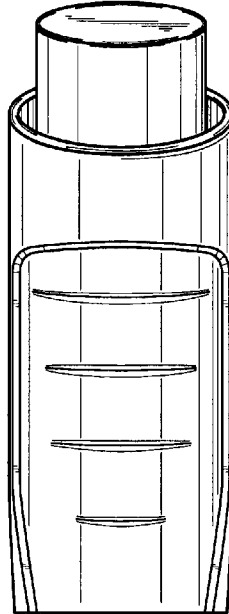


Fig. 6

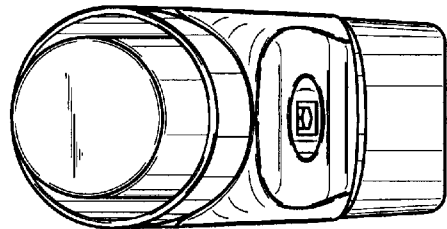


Fig. 8

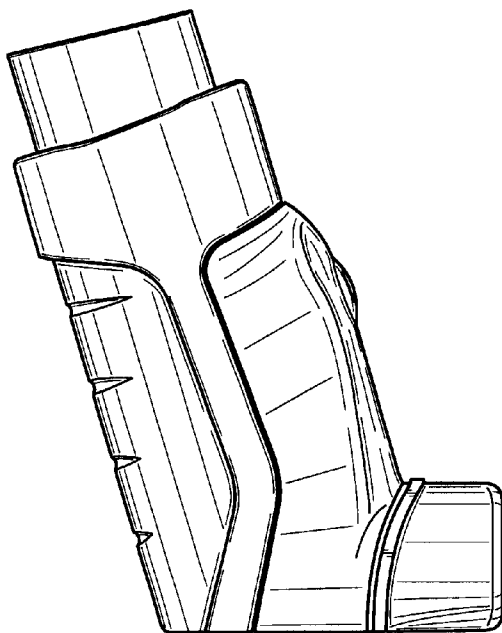


Fig. 9

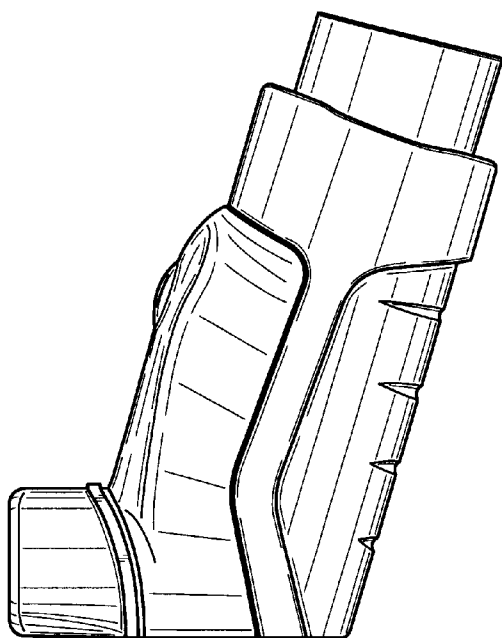


Fig. 10