

(19) World Intellectual Property Organization
International Bureau



(43) International Publication Date
22 June 2006 (22.06.2006)

PCT

(10) International Publication Number
WO 2006/064458 A3

- (51) International Patent Classification:
G11B 7/0065 (2006.01) G11B 7/12 (2006.01)
G11C 13/04 (2006.01) G11B 7/24 (2006.01)
- (21) International Application Number:
PCT/IB2005/054199
- (22) International Filing Date:
13 December 2005 (13.12.2005)
- (25) Filing Language: English
- (26) Publication Language: English
- (30) Priority Data:
04300906.7 16 December 2004 (16.12.2004) EP
- (71) Applicant (for all designated States except US): KONINKLIJKE PHILIPS ELECTRONICS N.V. [NL/NL]; Groenewoudseweg 1, NL-5621 BA EINDHOVEN (NL).
- (72) Inventors; and
- (75) Inventors/Applicants (for US only): HENDRIKS, Robert, F., M. [NL/NL]; c/o Société Civile SPID, 156 Boulevard Haussmann, F-75008 PARIS (FR). BAKKER, Levinus, P. [NL/NL]; c/o Société Civile SPID, 156 Boulevard Haussmann, F-75008 PARIS (FR).
- (74) Agent: MAK, Theodorus, Nicolaas; Société Civile SPID, 156 Boulevard Haussmann, F-75008 PARIS (FR).

- (81) Designated States (unless otherwise indicated, for every kind of national protection available): AE, AG, AL, AM, AT, AU, AZ, BA, BB, BG, BR, BW, BY, BZ, CA, CH, CN, CO, CR, CU, CZ, DE, DK, DM, DZ, EC, EE, EG, ES, FI, GB, GD, GE, GH, GM, HR, HU, ID, IL, IN, IS, JP, KE, KG, KM, KN, KP, KR, KZ, LC, LK, LR, LS, LT, LU, LV, LY, MA, MD, MG, MK, MN, MW, MX, MZ, NA, NG, NI, NO, NZ, OM, PG, PH, PL, PT, RO, RU, SC, SD, SE, SG, SK, SL, SM, SY, TJ, TM, TN, TR, TT, TZ, UA, UG, US, UZ, VC, VN, YU, ZA, ZM, ZW.
- (84) Designated States (unless otherwise indicated, for every kind of regional protection available): ARIPO (BW, GH, GM, KE, LS, MW, MZ, NA, SD, SL, SZ, TZ, UG, ZM, ZW), Eurasian (AM, AZ, BY, KG, KZ, MD, RU, TJ, TM), European (AT, BE, BG, CH, CY, CZ, DE, DK, EE, ES, FI, FR, GB, GR, HU, IE, IS, IT, LT, LU, LV, MC, NL, PL, PT, RO, SE, SI, SK, TR), OAPI (BF, BJ, CF, CG, CI, CM, GA, GN, GQ, GW, ML, MR, NE, SN, TD, TG).

Declaration under Rule 4.17:

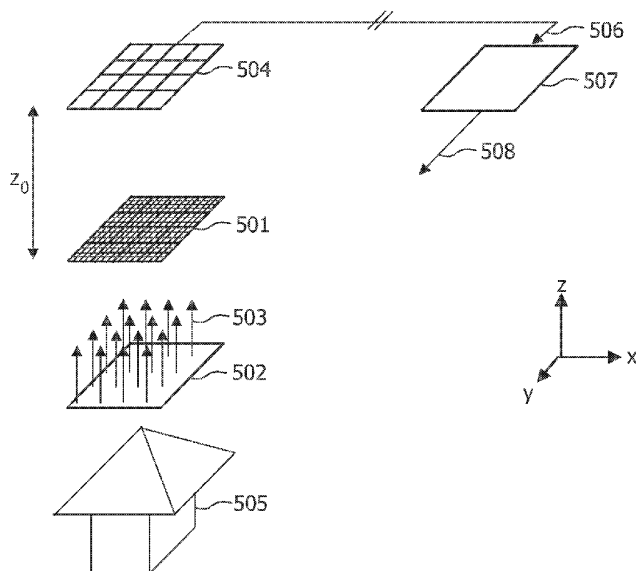
— as to applicant's entitlement to apply for and be granted a patent (Rule 4.17(ii))

Published:

— with international search report

[Continued on next page]

(54) Title: METHOD OF ENCODING DATA ON AN INFORMATION CARRIER, SYSTEM FOR READING SUCH AN INFORMATION CARRIER.



(57) Abstract: The invention relates to a method of encoding a set of data on an information carrier comprising data areas each intended to store a data, each data area being characterized by a transmission coefficient and a phase-shift coefficient, said method comprising a step of calculating the transmission coefficient and phase-shift coefficient of said data areas so that an output light pattern corresponding to the intensity pattern of said set of data is generated at a given distance from the information carrier, via interference between light outputted by said data areas in response of an array of light spots periodically applied to non-adjacent data areas.

WO 2006/064458 A3



— *before the expiration of the time limit for amending the claims and to be republished in the event of receipt of amendments*

For two-letter codes and other abbreviations, refer to the "Guidance Notes on Codes and Abbreviations" appearing at the beginning of each regular issue of the PCT Gazette.

(88) Date of publication of the international search report:

31 August 2006

INTERNATIONAL SEARCH REPORT

International application No
PCT/IB2005/054199

A. CLASSIFICATION OF SUBJECT MATTER INV. G11B7/0065 G11C13/04 G11B7/12 G11B7/24		
According to International Patent Classification (IPC) or to both national classification and IPC		
B. FIELDS SEARCHED		
Minimum documentation searched (classification system followed by classification symbols) G11B G11C		
Documentation searched other than minimum documentation to the extent that such documents are included in the fields searched		
Electronic data base consulted during the international search (name of data base and, where practical, search terms used) EPO-Internal		
C. DOCUMENTS CONSIDERED TO BE RELEVANT		
Category*	Citation of document, with indication, where appropriate, of the relevant passages	Relevant to claim No.
Y	WO 2004/057622 A (KONINKLIJKE PHILIPS ELECTRONICS N.V; VAN HOUTEN, HENDRIK) 8 July 2004 (2004-07-08) the whole document	1-9
Y	HENDRIKS R ET AL: "Optical card with parallel readout: Proposal for a new robust storage solution" PROCEEDINGS OF THE SPIE, SPIE, BELLINGHAM, VA, US, vol. 5380, 2004, pages 10-14, XP002353556 ISSN: 0277-786X the whole document	1-9
Y	EP 0 418 879 A (RUSSELL, JAMES T) 27 March 1991 (1991-03-27) column 3, lines 20-28	1-9
	-/--	
<input checked="" type="checkbox"/> Further documents are listed in the continuation of Box C. <input checked="" type="checkbox"/> See patent family annex.		
* Special categories of cited documents :		
A document defining the general state of the art which is not considered to be of particular relevance *E* earlier document but published on or after the international filing date *L* document which may throw doubts on priority claim(s) or which is cited to establish the publication date of another citation or other special reason (as specified) *O* document referring to an oral disclosure, use, exhibition or other means *P* document published prior to the international filing date but later than the priority date claimed		*T* later document published after the international filing date or priority date and not in conflict with the application but cited to understand the principle or theory underlying the invention *X* document of particular relevance; the claimed invention cannot be considered novel or cannot be considered to involve an inventive step when the document is taken alone *Y* document of particular relevance; the claimed invention cannot be considered to involve an inventive step when the document is combined with one or more other such documents, such combination being obvious to a person skilled in the art. *&* document member of the same patent family
Date of the actual completion of the international search	Date of mailing of the international search report	
4 July 2006	11/07/2006	
Name and mailing address of the ISA/ European Patent Office, P.B. 5818 Patentlaan 2 NL - 2280 HV Rijswijk Tel. (+31-70) 340-2040, Tx. 31 651 epo nl, Fax: (+31-70) 340-3016	Authorized officer Damp, S	

INTERNATIONAL SEARCH REPORT

International application No
PCT/IB2005/054199

C(Continuation). DOCUMENTS CONSIDERED TO BE RELEVANT		
Category*	Citation of document, with indication, where appropriate, of the relevant passages	Relevant to claim No.
Y	US 6 052 354 A (GUDESEN ET AL) 18 April 2000 (2000-04-18) the whole document -----	1-9
Y	US 5 696 714 A (RUSSELL ET AL) 9 December 1997 (1997-12-09) the whole document -----	1-9
Y	US 6 111 776 A (RUSSELL ET AL) 29 August 2000 (2000-08-29) the whole document -----	1-9
A	US 6 122 081 A (CAMPBELL ET AL) 19 September 2000 (2000-09-19) the whole document -----	1-9
P,A	WO 2005/027107 A (KONINKLIJKE PHILIPS ELECTRONICS N.V; HENDRIKS, ROBERT, FRANS, MARIA; D) 24 March 2005 (2005-03-24) the whole document -----	1-9

INTERNATIONAL SEARCH REPORT

International application No
PCT/IB2005/054199

Patent document cited in search report		Publication date	Patent family member(s)	Publication date			
WO 2004057622	A	08-07-2004	AU 2003303259 A1	14-07-2004			
			CN 1729542 A	01-02-2006			
			JP 2006511020 T	30-03-2006			
EP 0418879	A	27-03-1991	DE 69032386 D1	16-07-1998			
			DE 69032386 T2	18-02-1999			
			JP 2116973 C	06-12-1996			
			JP 3141033 A	17-06-1991			
			JP 8021172 B	04-03-1996			
			US 5056080 A	08-10-1991			
US 6052354	A	18-04-2000	AT 252269 T	15-11-2003			
			AU 702006 B2	11-02-1999			
			AU 6321296 A	22-01-1997			
			BR 9608964 A	29-06-1999			
			CA 2222085 A1	09-01-1997			
			CN 1192819 A	09-09-1998			
			DE 69630381 D1	20-11-2003			
			DE 69630381 T2	12-08-2004			
			EP 0834174 A1	08-04-1998			
			JP 10510653 T	13-10-1998			
			JP 3120286 B2	25-12-2000			
			NO 952542 A	27-12-1996			
			WO 9701171 A1	09-01-1997			
			RU 2146397 C1	10-03-2000			
			US 5696714	A	09-12-1997	AU 3428693 A	28-07-1993
						AU 690462 B2	23-04-1998
AU 6072596 A	26-09-1996						
CA 2127101 A1	08-07-1993						
EP 0619915 A1	19-10-1994						
JP 7506448 T	13-07-1995						
WO 9313529 A1	08-07-1993						
US 5436871 A	25-07-1995						
US 5511035 A	23-04-1996						
US 5465238 A	07-11-1995						
US 5541888 A	30-07-1996						
US 5379266 A	03-01-1995						
US 5926411 A	20-07-1999						
US 6111776	A	29-08-2000	NONE				
US 6122081	A	19-09-2000	JP 2001101874 A	13-04-2001			
			TW 523749 B	11-03-2003			
WO 2005027107	A	24-03-2005	NONE				