



(12) **United States Design Patent**
Tamir

(10) **Patent No.:** **US D1,059,629 S**
(45) **Date of Patent:** **** Jan. 28, 2025**

- (54) **SAMPLE COLLECTION DEVICE**
- (71) Applicant: **Bio-Marketing-T, Ltd. (BMT),**
Or-Akiva (IL)
- (72) Inventor: **Idan Tamir, Or-Akiva (IL)**
- (73) Assignee: **Bio-Marketing-T, Ltd., Or-Akiva (IL)**
- (**) Term: **15 Years**
- (21) Appl. No.: **29/870,189**
- (22) Filed: **Feb. 22, 2023**

- (56) **References Cited**
- U.S. PATENT DOCUMENTS
- | | | | | |
|---------------|--------|----------|-------|---------------|
| D39,560 S * | 9/1908 | Heyman | | D19/179 |
| 5,182,216 A * | 1/1993 | Clayton | | G01N 33/54366 |
| | | | | 436/817 |
| 5,739,041 A * | 4/1998 | Nazareth | | G01N 33/558 |
| | | | | 435/7.1 |

(Continued)

FOREIGN PATENT DOCUMENTS

- | | | | |
|----|----------------|---|--------|
| CN | 201930714026.6 | * | 5/2020 |
| EM | 007461082 | * | 1/2020 |

OTHER PUBLICATIONS

Hygiena Pen, Online, Published date Nov. 12, 2010, Retrieved on Apr. 24, 2024 from URL: <https://www.amazon.com/Hygiena-UltraSnap-Surface-Test-Device/dp/B00JSA5YZ4/> (Year: 2010).*

Primary Examiner — Omeed Agilee
Assistant Examiner — Eric Eldone Tormanen
(74) *Attorney, Agent, or Firm* — Greenberg Traurig, LLP

Related U.S. Application Data

- (63) Continuation of application No. 16/827,237, filed on Mar. 23, 2020, now Pat. No. 11,602,749, which is a continuation of application No. 15/548,971, filed as application No. PCT/IB2016/000296 on Feb. 17, 2016, now Pat. No. 10,596,573.

- (51) **LOC (15) Cl.** **24-02**
- (52) **U.S. Cl.**
USPC **D24/224**
CPC **B01L 3/5029** (2013.01); **B01L 3/5023**
(2013.01); **C12M 1/30** (2013.01); **C12Q 1/14**
(2013.01); **G01N 33/5302** (2013.01); **G01N**
33/538 (2013.01); **G01N 33/543** (2013.01);
G01N 33/558 (2013.01); **G01N 33/56944**
(2013.01); **B01L 2300/0825** (2013.01); **B01L**
2300/16 (2013.01); **B01L 2300/161** (2013.01);
B01L 2400/0406 (2013.01)

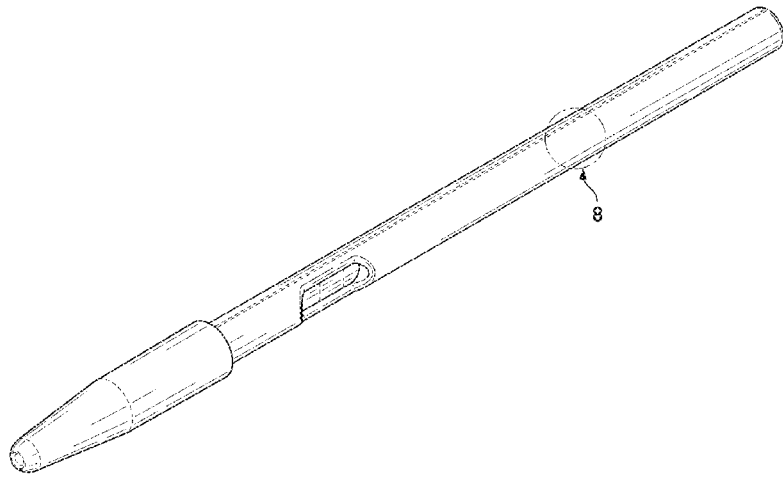
- (58) **Field of Classification Search**
USPC D24/108, 122, 130, 133, 216, 217,
D24/222–226; D19/115, 123, 179, 185;
D10/52, 53, 57, 81, 126; D9/547, 550,
D9/724, 732, 736
CPC A61B 90/00; A61B 90/10; A61B 90/0011;
A61B 2560/0456; A61B 2560/0462
See application file for complete search history.

- (57) **CLAIM**
The ornamental design for a sample collection device as shown and described.

DESCRIPTION

FIG. 1 is a perspective view of a sample collection device showing my new design;
FIG. 2 is a front elevational view thereof;
FIG. 3 is a rear elevational view thereof;
FIG. 4 is a left side elevational view thereof;
FIG. 5 is a right side elevational view thereof;
FIG. 6 is a top plan view thereof;
FIG. 7 is a bottom plan view thereof; and,
FIG. 8 is an enlarged view of a portion thereof.
The evenly spaced broken lines in the drawings depict portions of the sample collection device that form no part of

(Continued)



the claimed design. The dot-dash broken lines depict the bounds of the enlarged views and form no part of the claimed design.

1 Claim, 4 Drawing Sheets

(56)

References Cited

U.S. PATENT DOCUMENTS

D439,985	S *	4/2001	Sanner	D24/216
D470,596	S *	2/2003	McMichael	D24/119
D477,669	S *	7/2003	Zhou	D24/224
D595,350	S *	6/2009	Paz	D19/117
D625,200	S *	10/2010	Py	D9/724
D682,833	S *	5/2013	Paschke	D14/411
D694,236	S *	11/2013	Chung	D14/411
D713,878	S *	9/2014	Fleming	D19/904
D729,874	S *	5/2015	Larson	D19/169
D740,290	S *	10/2015	Chung	D14/411
D758,569	S *	6/2016	Wohlfahrt	D24/113
D765,242	S *	8/2016	Tapocik	D24/119
D800,981	S *	10/2017	Pisacane	D32/35
D823,944	S *	7/2018	Bohrer	D19/179
D851,273	S *	6/2019	Frezal	D24/223
D899,946	S *	10/2020	Polly	D10/53
D921,754	S *	6/2021	Martus	D19/923
D930,184	S *	9/2021	Johnson	D24/224
D964,552	S *	9/2022	Best	D24/119
D971,431	S *	11/2022	Best	D24/216
D990,701	S *	6/2023	Liao	D24/217
D1,010,107	S *	1/2024	Melander	D24/113
D1,021,130	S *	4/2024	Thakor	D24/216
2012/0123350	A1 *	5/2012	Giambattista	A61M 5/2033 604/198

* cited by examiner

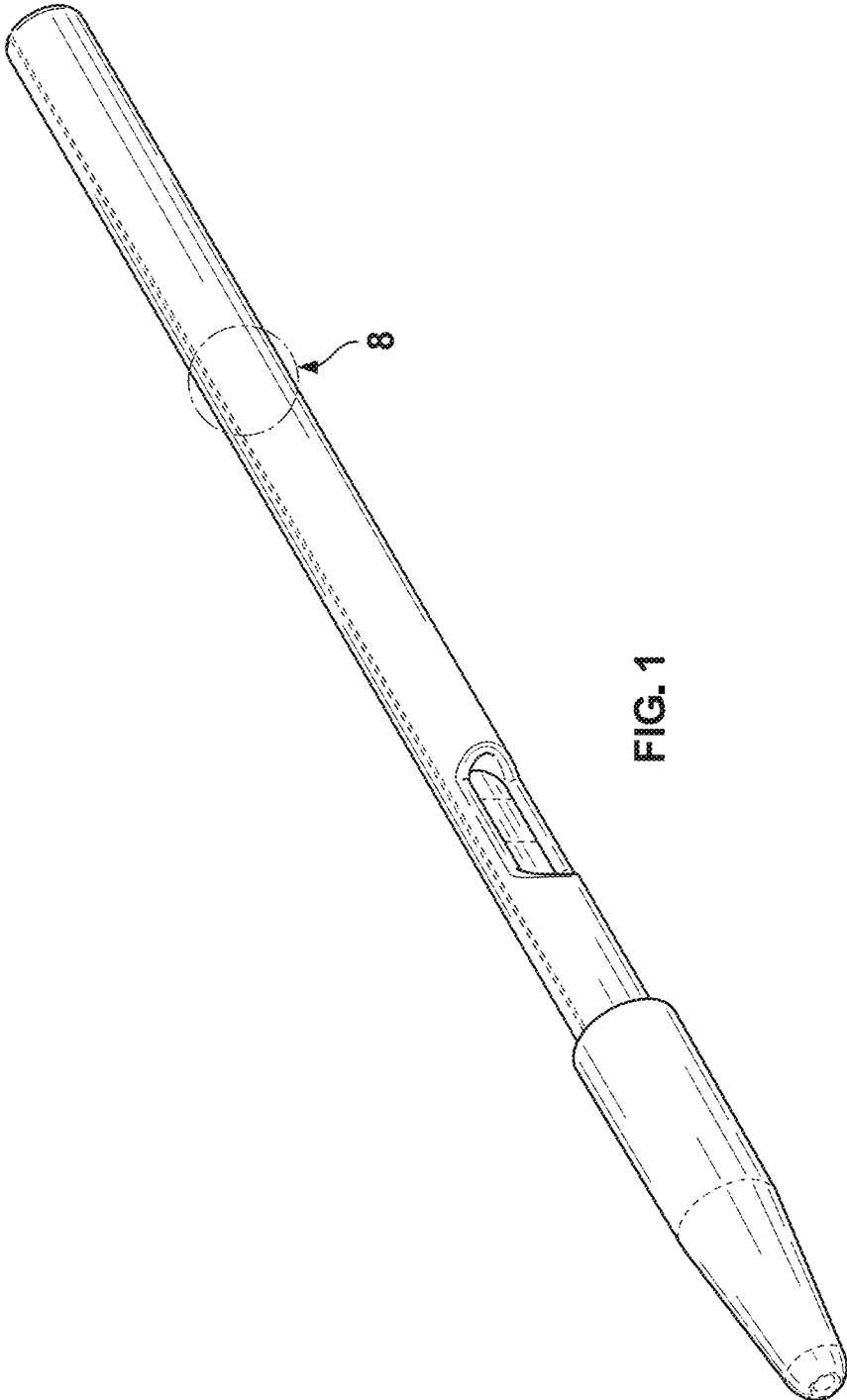


FIG. 1



FIG. 2



FIG. 3



FIG. 4



FIG. 5

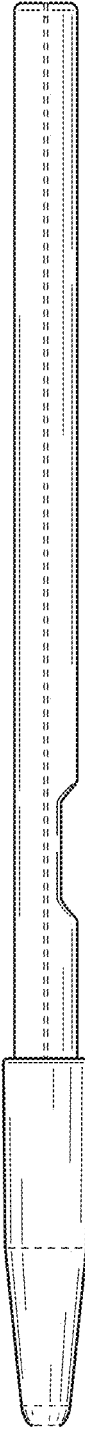


FIG. 6

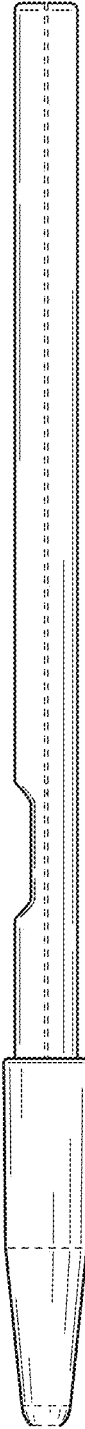


FIG. 7

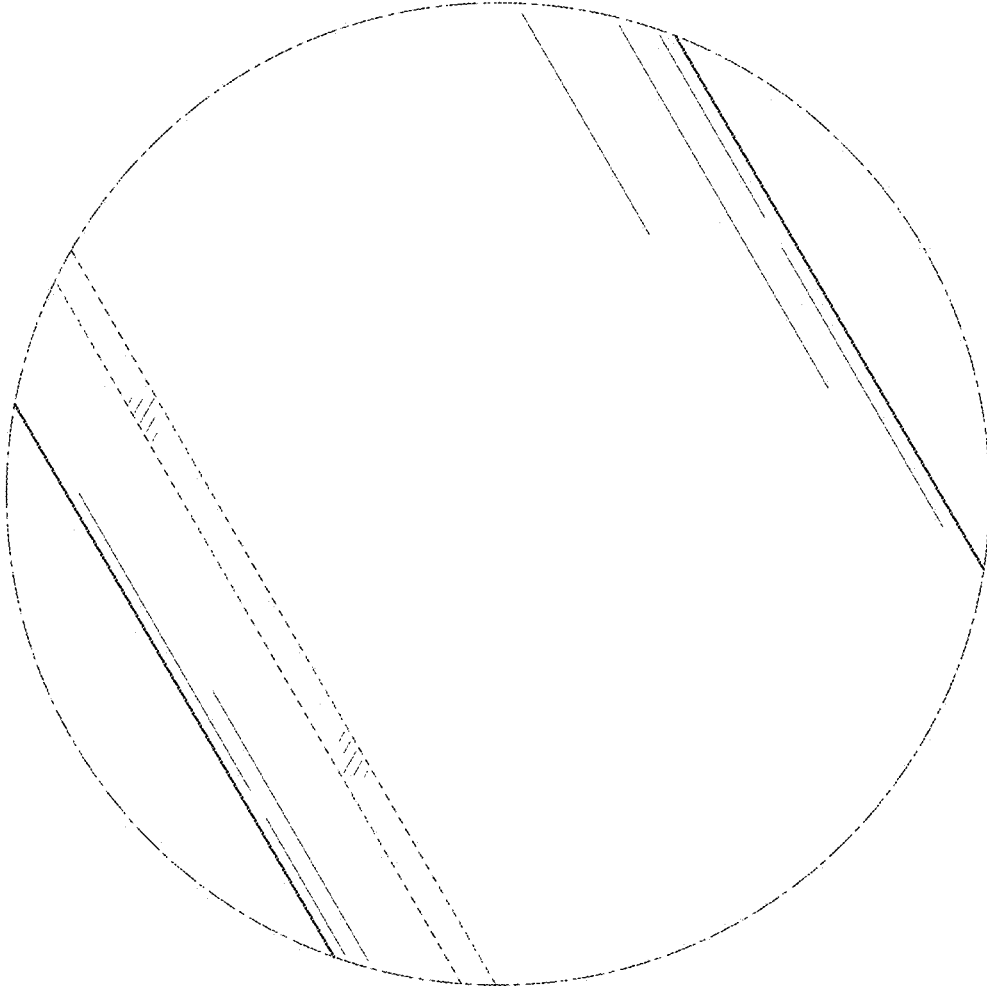


FIG. 8