



US00D716083S

(12) **United States Design Patent**
Hsu et al.

(10) **Patent No.:** **US D716,083 S**

(45) **Date of Patent:** **** Oct. 28, 2014**

(54) **CORNER SHELF**

(71) Applicant: **Seville Classics, Inc.**, Torrance, CA (US)

(72) Inventors: **Li-Han Hsu**, Torrance, CA (US);
Cynthia J. Luff, Redondo Beach, CA (US)

(73) Assignee: **Seville Classics Inc.**, Torrance, CA (US)

(**) Term: **14 Years**

(21) Appl. No.: **29/488,419**

(22) Filed: **Apr. 18, 2014**

(51) **LOC (10) Cl.** **06-06**

(52) **U.S. Cl.**
USPC **D6/678.4**

(58) **Field of Classification Search**
USPC D6/396, 449, 462, 491-492, 509-511,
D6/672, 676, 676.5, 678, 678.4;
108/153.1, 155-156, 157.1, 150, 161;
248/188, 188.1

See application file for complete search history.

(56) **References Cited**

U.S. PATENT DOCUMENTS

2,710,733 A * 6/1955 Phillips 248/431
D267,211 S * 12/1982 Farrell D6/468
D280,164 S * 8/1985 Berry, Jr. D6/489

D285,036 S * 8/1986 Gilchrist et al. D7/554.1
D316,345 S * 4/1991 Mo Yau Kee D6/465
D352,409 S * 11/1994 Hosoe D6/482
D407,251 S * 3/1999 Hampshire D6/540
D444,017 S * 6/2001 Walker D6/562
D488,647 S * 4/2004 Ford et al. D6/489
6,722,042 B1 * 4/2004 Naville et al. 30/280
D536,873 S * 2/2007 Thorsteinsson et al. D3/306
D540,072 S * 4/2007 Steinman D6/487
D572,940 S * 7/2008 Murray D6/462
D585,670 S * 2/2009 Gharabegian D6/489
D638,640 S * 5/2011 Molayem D6/465
D701,714 S * 4/2014 Gelman D6/676.1

* cited by examiner

Primary Examiner — Kelley Donnelly

(74) *Attorney, Agent, or Firm* — Raymond Sun

(57) **CLAIM**

The ornamental design for a corner shelf, as shown and described.

DESCRIPTION

FIG. 1 is a perspective view of a corner shelf showing our new design.

FIG. 2 is a front plan view thereof;

FIG. 3 is a right plan view thereof;

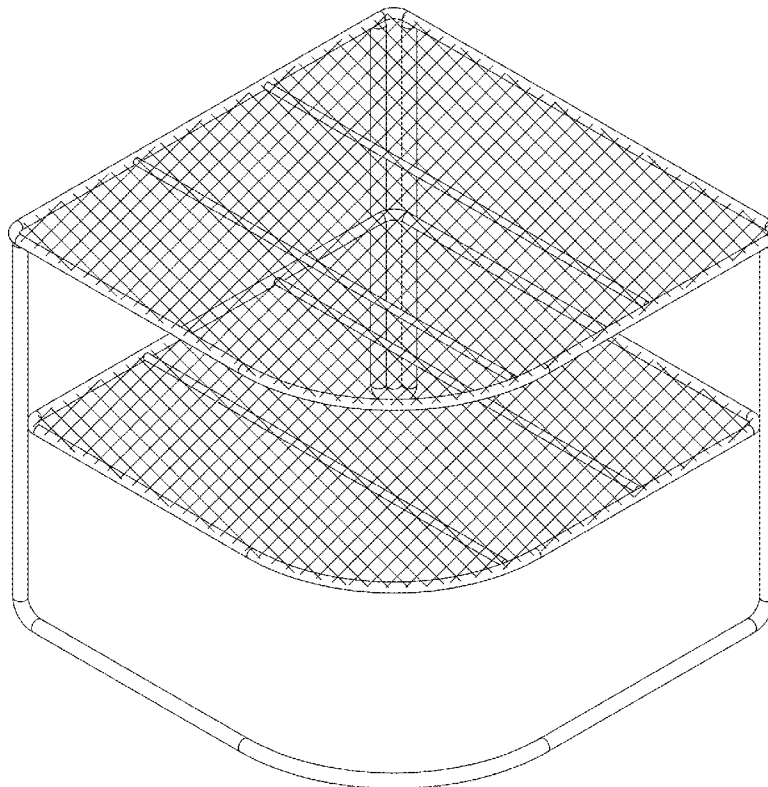
FIG. 4 is a left plan view thereof;

FIG. 5 is a top plan view thereof;

FIG. 6 is a bottom plan view thereof; and,

FIG. 7 is a rear plan view thereof.

1 Claim, 7 Drawing Sheets



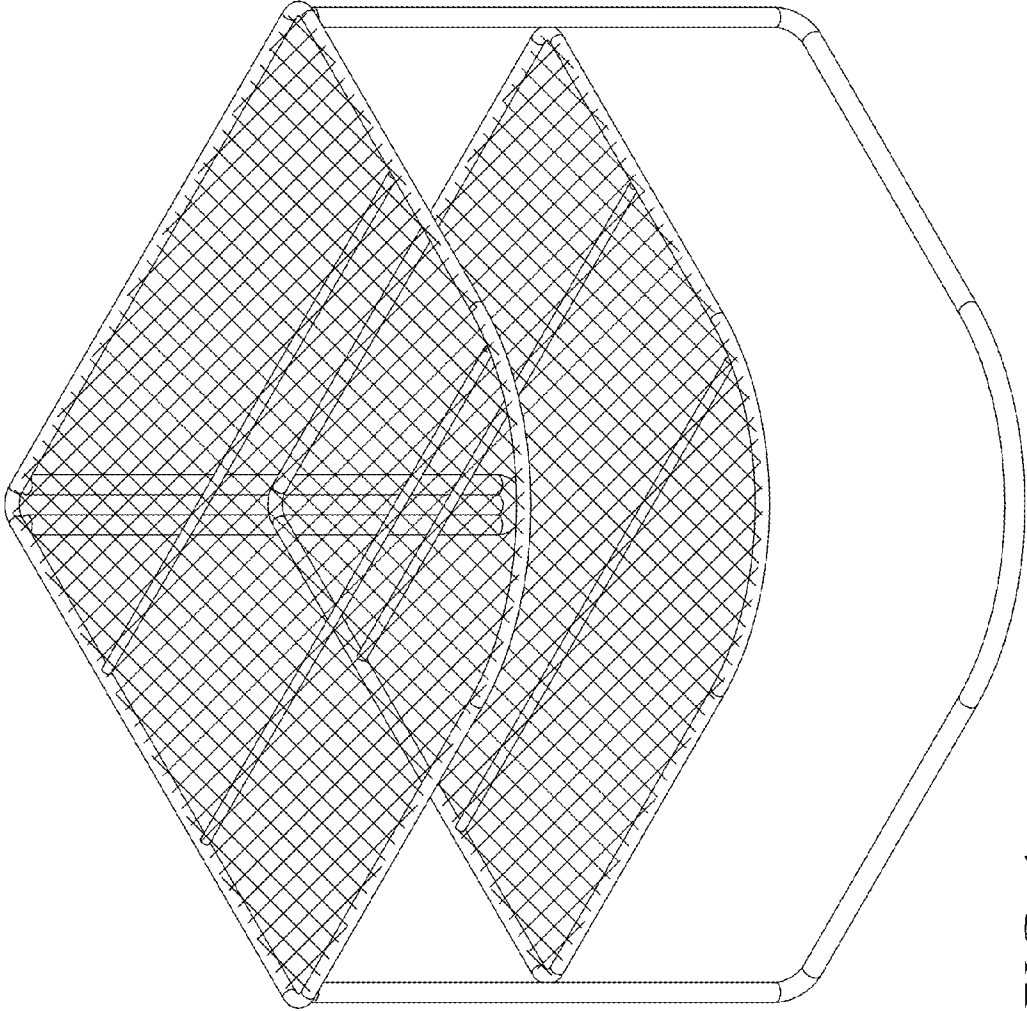


FIG. 1

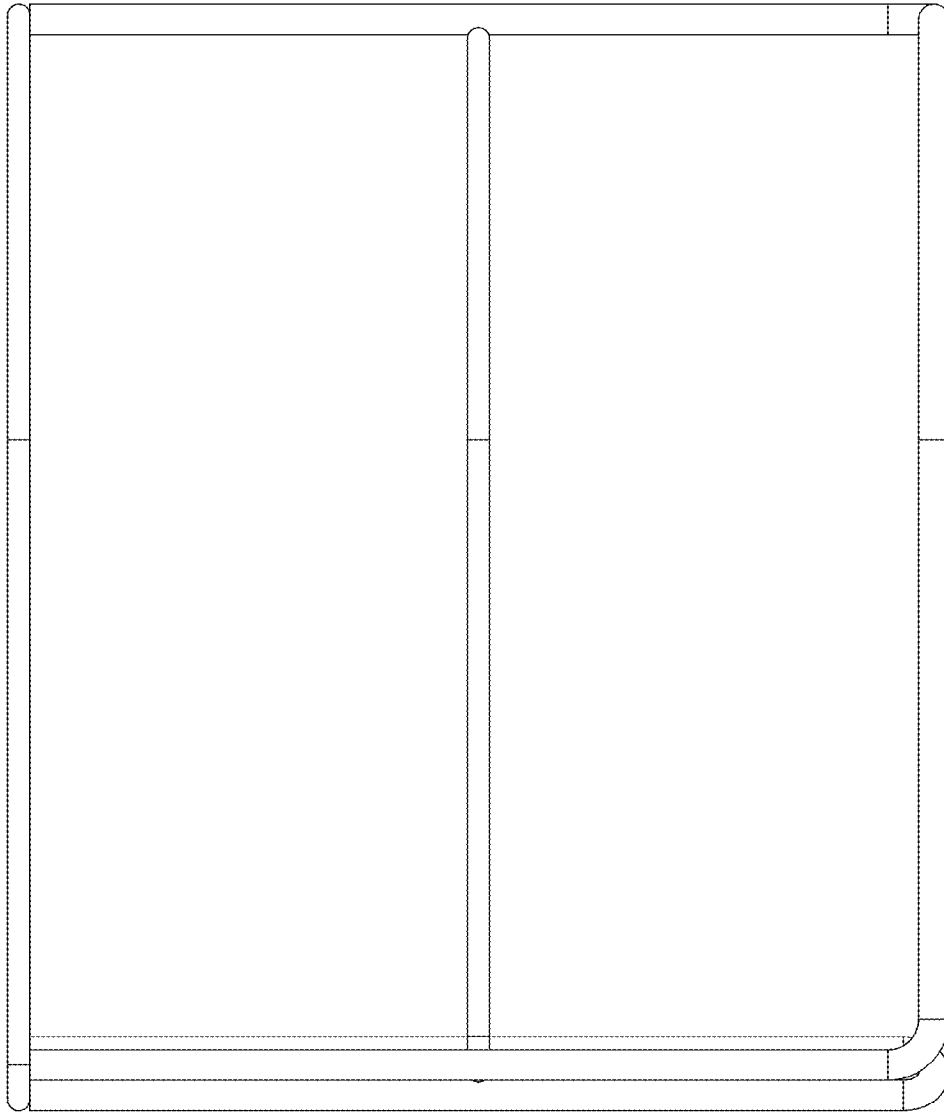


FIG. 2

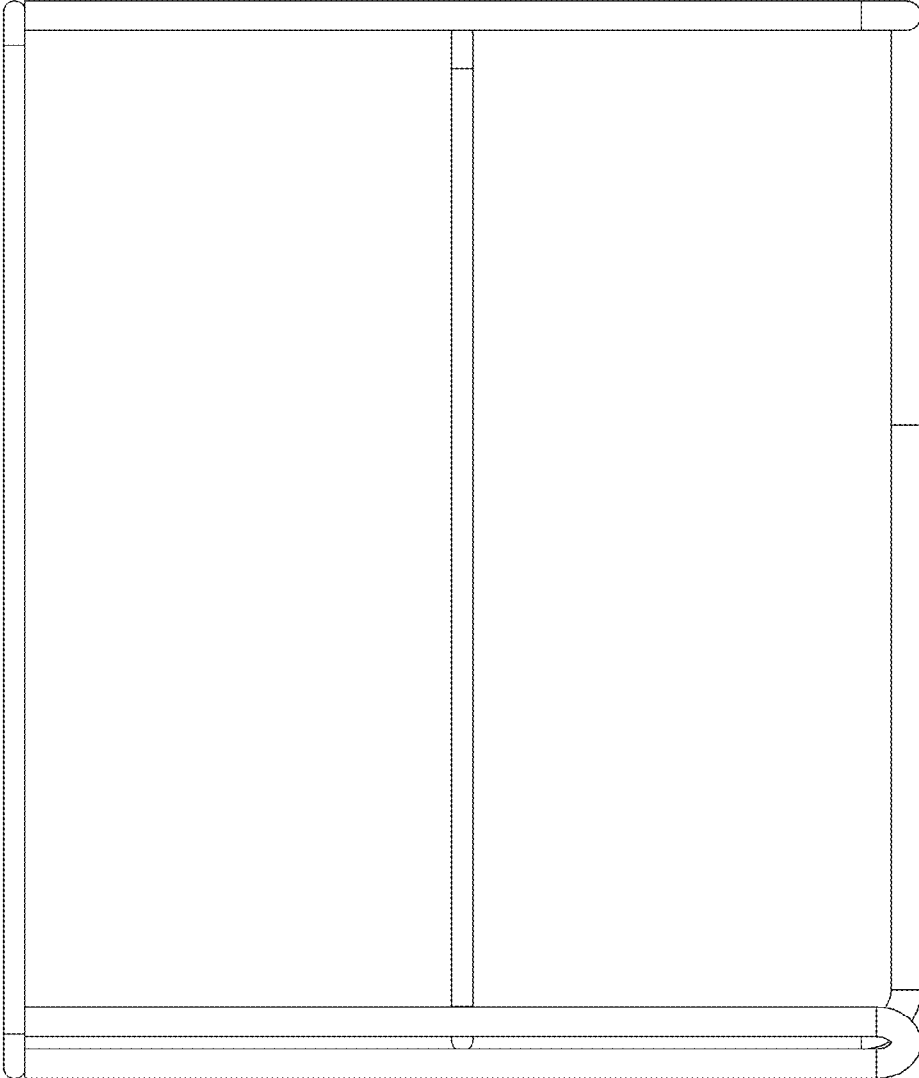


FIG. 3

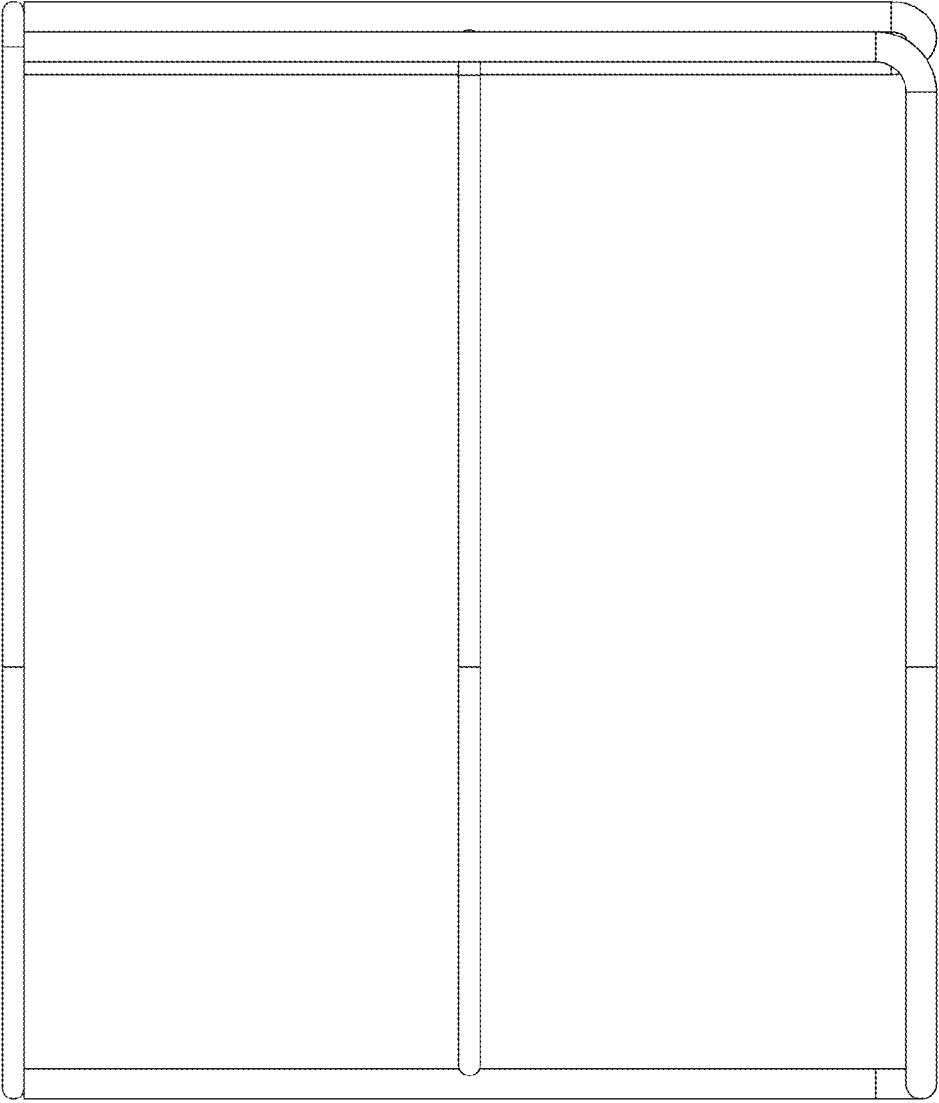


FIG. 4

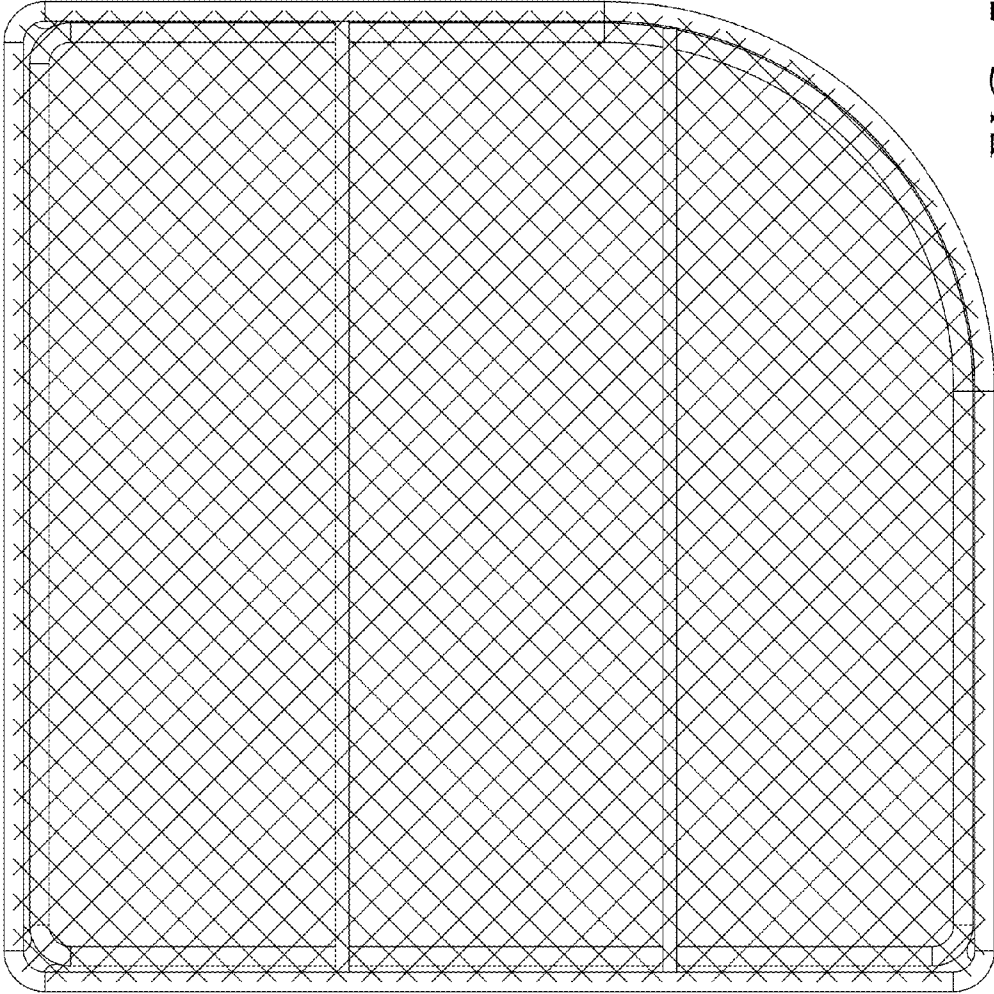
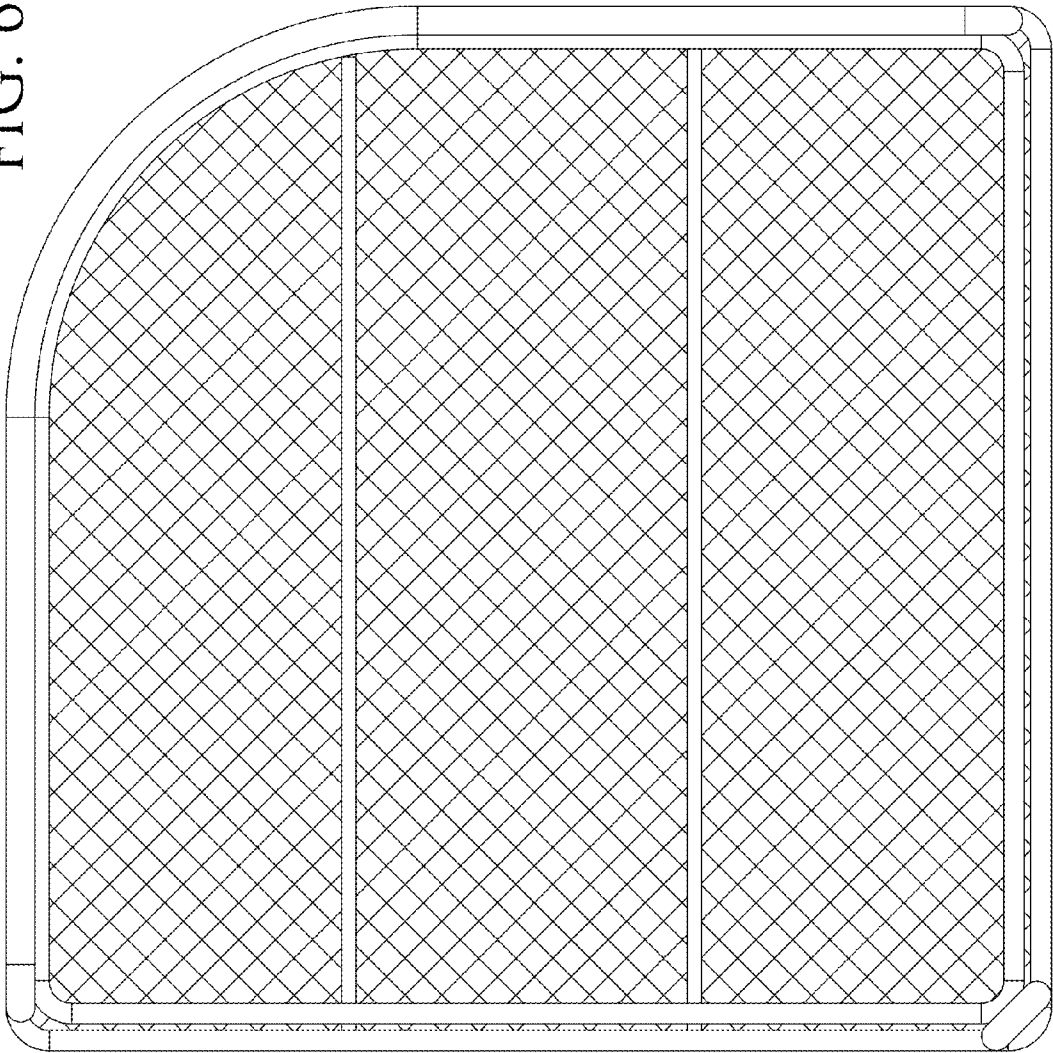


FIG. 5

FIG. 6



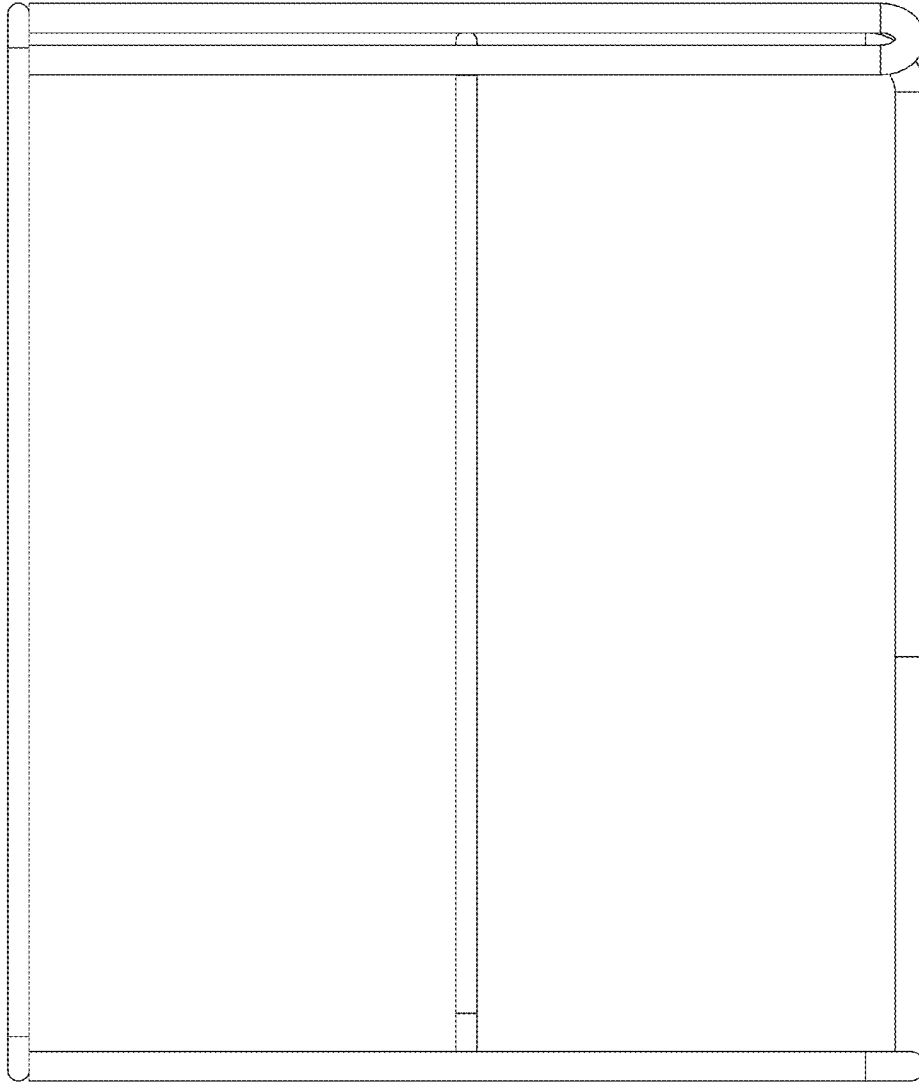


FIG. 7