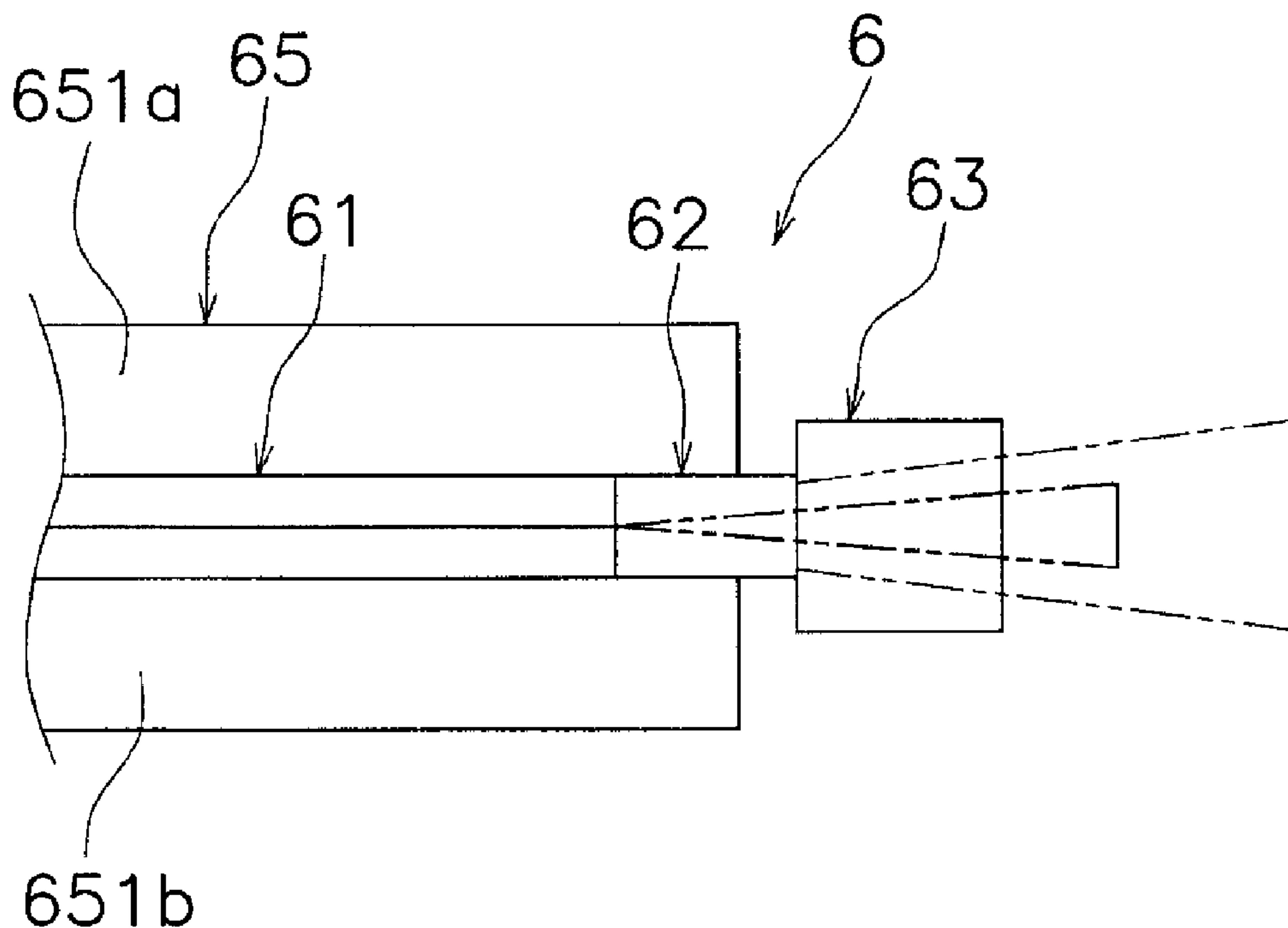




(86) **Date de dépôt PCT/PCT Filing Date:** 2014/03/20
 (87) **Date publication PCT/PCT Publication Date:** 2014/10/02
 (45) **Date de délivrance/Issue Date:** 2018/03/06
 (85) **Entrée phase nationale/National Entry:** 2015/09/17
 (86) **N° demande PCT/PCT Application No.:** JP 2014/057806
 (87) **N° publication PCT/PCT Publication No.:** 2014/156972
 (30) **Priorité/Priority:** 2013/03/28 (JP2013-067938)

(51) **Cl.Int./Int.Cl. H01S 3/07** (2006.01),
G02B 6/00 (2006.01), **G02B 6/02** (2006.01),
H01S 3/067 (2006.01)
 (72) **Inventeurs/Inventors:**
 SCHAEFER, CHRISTIAN, JP;
 MURAKAMI, MASANAO, JP
 (73) **Propriétaire/Owner:**
 MITSUBOSHI DIAMOND INDUSTRIAL CO., LTD., JP
 (74) **Agent:** SMART & BIGGAR

(54) **Titre : FIBRE OPTIQUE ET LASER OSCILLATEUR LA COMPRENANT**
 (54) **Title: OPTICAL FIBER AND LASER OSCILLATOR USING SAME**



(57) **Abrégé/Abstract:**

An optical fiber (6) includes a first optical fiber body (61), a second optical fiber body (62) and a first end cap (63). The first optical fiber body (61) includes a first core (611) and a first cladding (612). The second optical fiber body (62) includes a second core (621) and a second cladding (622), and is joined at a first end surface (623) thereof to a first end surface (613) of the first optical fiber body (61). The first end cap (63) has light permeability and is joined to a second end surface (624) of the second optical fiber body (62). The first core (611) is doped with a laser medium. A mass content of the laser medium in the second core (621) is lower than that of the laser medium in the first core (611).

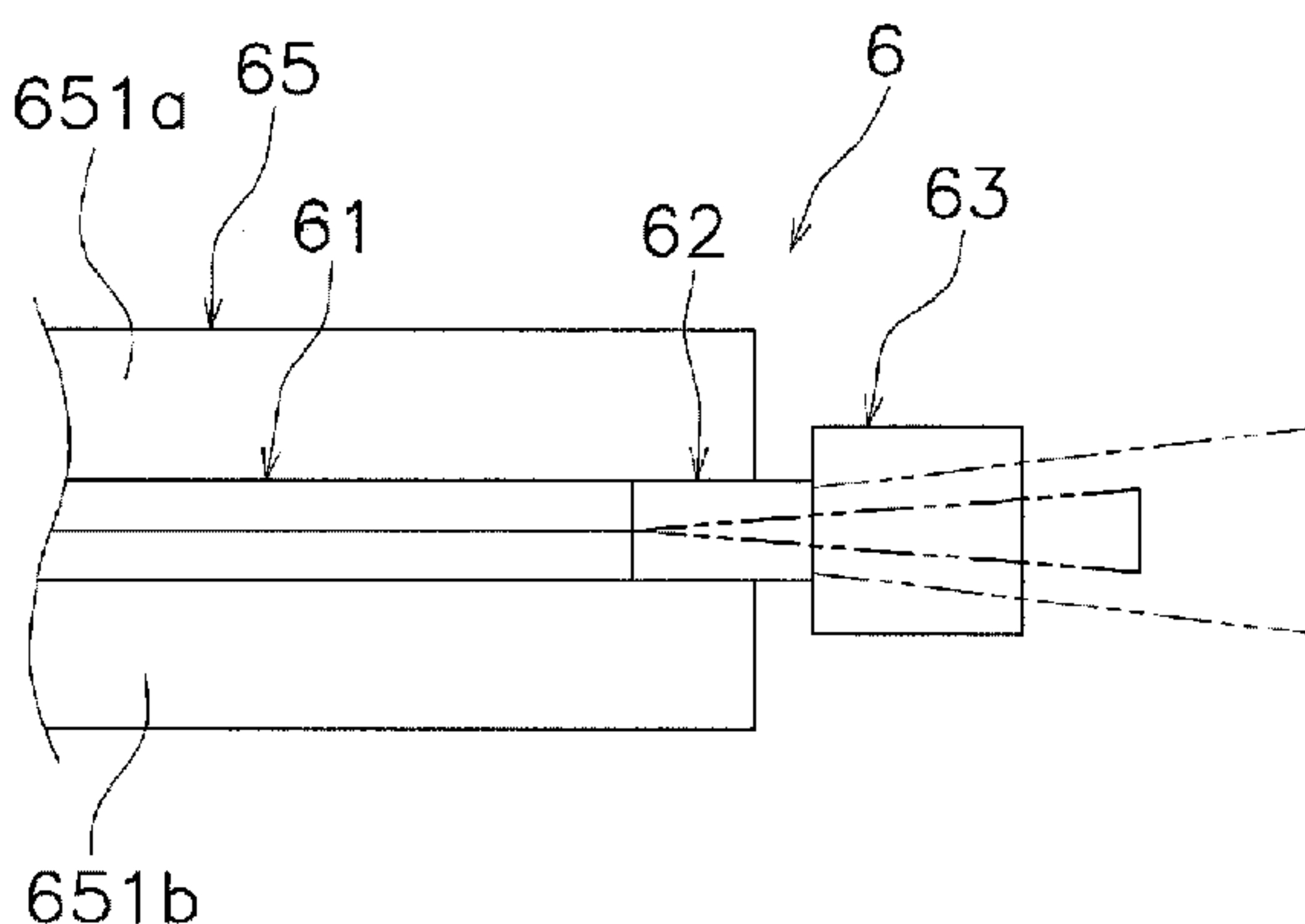
(12) 特許協力条約に基づいて公開された国際出願

(19) 世界知的所有権機関
国際事務局(43) 国際公開日
2014年10月2日(02.10.2014)(10) 国際公開番号
WO 2014/156972 A1

- (51) 国際特許分類:
H01S 3/07 (2006.01) G02B 6/02 (2006.01)
G02B 6/00 (2006.01) H01S 3/067 (2006.01)
- (21) 国際出願番号: PCT/JP2014/057806
- (22) 国際出願日: 2014年3月20日(20.03.2014)
- (25) 国際出願の言語: 日本語
- (26) 国際公開の言語: 日本語
- (30) 優先権データ:
特願 2013-067938 2013年3月28日(28.03.2013) JP
- (71) 出願人: 三星ダイヤモンド工業株式会社(MIT-SUBOSHI DIAMOND INDUSTRIAL CO., LTD.) [JP/JP]; 〒5660034 大阪府摂津市香露園3番12号 Osaka (JP).
- (72) 発明者: シェーファー クリスチャン(SCHAEFER, Christian); 〒5660034 大阪府摂津市香露園3番12号 三星ダイヤモンド工業株式会社内 Osaka (JP). 村上 政直(MURAKAMI, Masanao); 〒5660034 大阪府摂津市香露園3番12号 三星ダイヤモンド工業株式会社内 Osaka (JP).
- (74) 代理人: 新樹グローバル・アイピー特許業務法人(SHINJYU GLOBAL IP); 〒5300054 大阪府大阪
- 市北区南森町1丁目4番19号 サウスホレストビル Osaka (JP).
- (81) 指定国 (表示のない限り、全ての種類の国内保護が可能): AE, AG, AL, AM, AO, AT, AU, AZ, BA, BB, BG, BH, BN, BR, BW, BY, BZ, CA, CH, CL, CN, CO, CR, CU, CZ, DE, DK, DM, DO, DZ, EC, EE, EG, ES, FI, GB, GD, GE, GH, GM, GT, HN, HR, HU, ID, IL, IN, IR, IS, KE, KG, KN, KP, KR, KZ, LA, LC, LK, LR, LS, LT, LU, LY, MA, MD, ME, MG, MK, MN, MW, MX, MY, MZ, NA, NG, NI, NO, NZ, OM, PA, PE, PG, PH, PL, PT, QA, RO, RS, RU, RW, SA, SC, SD, SE, SG, SK, SL, SM, ST, SV, SY, TH, TJ, TM, TN, TR, TT, TZ, UA, UG, US, UZ, VC, VN, ZA, ZM, ZW.
- (84) 指定国 (表示のない限り、全ての種類の広域保護が可能): ARIPO (BW, GH, GM, KE, LR, LS, MW, MZ, NA, RW, SD, SL, SZ, TZ, UG, ZM, ZW), ユーラシア (AM, AZ, BY, KG, KZ, RU, TJ, TM), ヨーロッパ (AL, AT, BE, BG, CH, CY, CZ, DE, DK, EE, ES, FI, FR, GB, GR, HR, HU, IE, IS, IT, LT, LU, LV, MC, MK, MT, NL, NO, PL, PT, RO, RS, SE, SI, SK, SM, TR), OAPI (BF, BJ, CF, CG, CI, CM, GA, GN, GQ, GW, KM, ML, MR, NE, SN, TD, TG).
- 添付公開書類:
— 国際調査報告 (条約第21条(3))

(54) Title: OPTICAL FIBER AND LASER OSCILLATOR USING SAME

(54) 発明の名称: 光ファイバ、及びこれを用いたレーザ発振器



(57) Abstract: This optical fiber (6) is provided with a first optical fiber main body (61), a second optical fiber main body (62) and a first end cap (63). The first optical fiber main body (61) has a first core (611) and a first cladding (612). The second optical fiber main body (62) has a second core (621) and a second cladding (622), and a first end face (623) of the second optical fiber main body (62) is joined to a first end face (613) of the first optical fiber main body (61). The first end cap (63) transmits light and is joined to a second end face (624) of the second optical fiber main body (62). The first core (611) is doped with a laser medium. The mass content of the laser medium in the second core (621) is lower than the mass content of the laser medium in the first core (611).

(57) 要約: 光ファイバ(6)は、第1光ファイバ本体(61)、第2光ファイバ本体(62)、及び第1エンドキャップ(63)を備えている。第1光ファイバ本体(61)は、第1コア(611)及び第1クラッド(612)を有する。第2光ファイバ本体(62)は、第2コア(621)及び第2クラッド(622)を有し、第1端面(623)が第1光ファイバ本体(61)の第1端面(613)に接合されている。第1エンドキャップ(63)は、光透過性であって、第2光ファイバ本体(62)の第2端面(624)に接合されている。第1コア(611)はレーザ媒質がドーピングされている。第2コア(621)におけるレーザ媒質の質量含有率は、第1コア(611)におけるレーザ媒質の質量含有率よりも低い。

DESCRIPTION

OPTICAL FIBER AND LASER OSCILLATOR USING SAME

TECHNICAL FIELD

[0001] The present invention relates to an optical fiber and a laser
5 oscillator using the same.

BACKGROUND ART

[0002] Laser oscillators utilizing an optical fiber have been widely
used. This type of laser oscillator is configured to oscillate a laser
light by the optical fiber with use of an excitation light to be
10 oscillated from a light source. The optical fiber to be used for this
type of laser oscillator is made of, for instance, fluoride glass such
as ZBLAN glass doped with a laser medium such as erbium. However, there
is a drawback that fluoride glass as described above, particularly
ZBLAN glass, deliquesces by moisture contained in the atmosphere by
15 which the laser light from the optical fiber is absorbed. Put
differently, there is a drawback that an end surface of the optical
fiber is damaged.

[0003] In PTL 1, for instance, an end cap is joined to the end surface
of the optical fiber in order to solve the drawback. With the
20 construction, the end surface of the optical fiber is not exposed to
the atmosphere. Hence, the end surface of the optical fiber can be
prevented from deliquescing by the moisture contained in the
atmosphere.

[0004] The laser medium contained in the optical fiber generates heat
25 by absorbing the excitation light. Hence, it is required to prevent
that the optical fiber is burnt and damaged by the heat generation.
In PTL 2, for instance, the optical fiber is interposed and held between
two metallic plates and heat from the optical fiber is transferred
thereto. Thus, damage of the optical fiber attributed to heat
30 generation is prevented.

CITATION LIST

PATENT LITERATURE

[0005] PTL 1: Japan Laid-open Patent Application Publication No.
2007-273842

PTL 2: Japan Laid-open Patent Application Publication No.
2001-274489

SUMMARY OF INVENTION

Technical Problems

5 [0006] In interposing and holding the optical fiber between the two metallic plates as described above, it is difficult to completely interpose and hold the optical fiber inclusive of its both ends between the metallic plates. Hence, chances are that the both ends of the optical fiber are exposed from the metallic plates. In this case, a
10 drawback is caused that the optical fiber generates heat and is damaged at its first end on which the excitation light is incident.

[0007] It is an object of the present invention to inhibit damage of an end of an optical fiber.

Solution to Problems

15 [0008] (1) An optical fiber according to a first aspect of the present invention is an optical fiber for generating or amplifying a laser light with use of an excitation light. The optical fiber includes a first optical fiber body, a second optical fiber body and a first end cap. The first optical fiber body includes a first core and a first
20 cladding. The second optical fiber body includes a second core and a second cladding, and is joined at a first end surface thereof to a first end surface of the first optical fiber body. The first end cap has light permeability and is joined to a second end surface of the second optical fiber body. The first core is doped with a laser
25 medium. A mass content of the laser medium in the second core is lower than a mass content of the laser medium in the first core.

[0009] According to the present construction, firstly, the second optical fiber body is joined to the first end surface of the first optical fiber body, and thus, the first end surface is not exposed
30 to the atmosphere. The first end surface can be thereby prevented from deliquescing by moisture contained in the atmosphere in which an output light is absorbed. Additionally, the first end cap is joined to the second end surface of the second optical fiber body, and the second end surface is not exposed to the atmosphere. Hence, deliquescence

of the second end surface can be similarly prevented.

[0010] Moreover, the second optical fiber body is joined to the first end surface of the first optical fiber body. Hence, when the first optical fiber body is, for instance, interposed and held between cooling members such as metallic plates, the first end of the first optical fiber body is prevented from being exposed from the cooling members. As a result, the first optical fiber body inclusive of its first end can be sufficiently cooled, and thereby, damage of the first core by generation of heat can be prevented. It should be noted that the second optical fiber body has a possibility of being partially exposed from the cooling members. However, the mass content of the laser medium in the second core of the second optical fiber body is set to be lower than that of the laser medium in the first core of the first optical fiber body, and hence, the absorbance of the excitation light by the second core is lower than that of the excitation light by the first core. Accordingly, generation of heat by the second core can be inhibited, and hence, damage of the second core by generation of heat can be inhibited. It should be noted that the first end of the first optical fiber body means an end to which the second optical fiber body is connected. Additionally, the present optical fiber is preferably used such that the excitation light is incident thereon from the first end cap side.

[0011] (2) It is preferable that the first core is doped with the laser medium, and the second core is not doped with the laser medium. According to the present construction, the second core is not doped with any laser medium, and hence, generation of heat attributed to absorption of an excitation light is prevented. As a result, even when the second optical fiber body is partially exposed from cooling members, damage of the second core can be prevented.

[0012] (3) It is preferable that the first and second optical fiber bodies are made of fluoride glass, and the laser medium is a rare earth element. Specifically, it is preferable that the first and second optical fiber bodies are made of ZBLAN glass, and the laser medium is erbium.

81790345

[0013] According to the present construction, luminescence characteristics and so forth can be enhanced. Additionally, fluoride glass, especially ZBLAN glass, has deliquescence, and hence, applying the present invention to the optical fiber is particularly effective.

5 [0014] (4) It is preferable that the first end cap is made of calcium fluoride.

[0015] (5) It is preferable that the second core has a diameter larger than a diameter of the first core, and is designed to have a length whereby reflection of an output light from the first core is prevented
10 within the second core. According to the present construction, an output light can be outputted from the first core without changing the mode of the output light.

[0016] (6) It is preferable that the optical fiber further includes a second end cap that has light permeability and is joined to a second
15 end surface of the first optical fiber body. According to the present construction, damage of the second end surface of the first optical fiber body can be also prevented.

[0017] (7) It is preferable that the optical fiber further includes a cooling member for cooling the first optical fiber body and the second
20 optical fiber body. According to the present construction, damage of the first core of the first optical fiber body by generation of heat can be prevented.

[0018] (8) A laser oscillator according to a second aspect of the present invention includes the optical fiber having any of the
25 aforementioned constructions, a chassis accommodating the optical fiber, and a light source configured to oscillate the excitation light.

Advantageous Effects of Invention

[0019] According to the present invention, damage of an end of an optical fiber can be inhibited.

30 BRIEF DESCRIPTION OF THE DRAWINGS

[0020] FIG. 1 is a schematic diagram showing a construction of a laser oscillator.

FIG. 2 is a cross-sectional view of a front end side part of an optical fiber.

FIG. 3 is a cross-sectional view of a second end side part of the optical fiber.

FIG. 4 is a detailed cross-sectional view of first and second optical fiber bodies on the first end side of the optical fiber.

5 FIG. 5 is a cross-sectional view of a second end side part of an optical fiber according to Modification 1.

DESCRIPTION OF EMBODIMENTS

[0021] An exemplary embodiment of an optical fiber and a laser oscillator using the same according to the present invention will be hereinafter explained with reference to drawings. FIG. 1 is a schematic diagram of a construction of the laser oscillator.

[0022] As shown in FIG. 1, a laser oscillator 1 includes a light source 2, first to third lenses 3a, 3b and 3c, first and second dichroic mirrors 4a and 4b, a damper 5, an optical fiber 6, a chassis 7 and a chiller 8.

[0023] The light source 2 is configured to oscillate an excitation light, and can be composed of, for instance, a lamp, a semiconductor laser or so forth. The excitation light oscillated in the light source 2 is outputted through an excitation light transmission fiber 2a.

20 [0024] The first lens 3a is a lens functioning as a collimator lens, and is disposed between the excitation light transmission fiber 2a and a first window part 7a of the chassis 7 to be described. The first lens 3a is configured to convert the excitation light, transmitted thereto from the light source 2, into a state of collimated light from a state of divergent light.

[0025] The second lens 3b is a lens functioning as a condenser lens and a collimator lens, and is disposed between the first dichroic mirror 4a and a first end 67 of the optical fiber 6. The second lens 3b is configured to condense the excitation light converted into the state of collimated light by the first lens 3a and irradiate the condensed light to the optical fiber 6, and is also configured to convert the laser light irradiated from the optical fiber 6 into the state of collimated light.

[0026] The third lens 3c is a lens functioning as a condenser lens

and a collimator lens, and is disposed between the second dichroic mirror 4b and a second end 68 of the optical fiber 6. The third lens 3c is configured to convert the excitation light and the laser light from the optical fiber 6 into the state of collimated light, and is also configured to condense the laser light from the second dichroic mirror 4b and irradiate the condensed light to the optical fiber 6.

5 [0027] The first dichroic mirror 4a is disposed between the first lens 3a and the second lens 3b. The first dichroic mirror 4a is designed to allow passage of the excitation light from the light source 2 and reflect the laser light from the optical fiber 6 so as to change its transmission direction.

[0028] The second dichroic mirror 4b is disposed between the third lens 3c and the damper 5. The second dichroic mirror 4b is designed to allow passage of the excitation light from the optical fiber 6 and reflect the laser light from the optical fiber 6.

15 [0029] The damper 5 is a member disposed downstream of the second dichroic mirror 4b so as to absorb the excitation light that has passed through the second dichroic mirror 4b.

[0030] FIG. 2 is a cross-sectional side view of a first end 67 side part of the optical fiber 6, whereas FIG. 3 is a cross-sectional side view of a second end 68 side part of the optical fiber 6. As shown in FIGS. 2 and 3, the optical fiber 6 includes a first optical fiber body 61, a second optical fiber body 62, a first end cap 63, a second end cap 64 and a cooling member 65.

25 [0031] The first optical fiber body 61 is a main portion of the optical fiber 6 and a laser light is produced in the first optical fiber body 61. FIG. 4 is a cross-sectional side view of a detailed construction of the first optical fiber body 61 and the second optical fiber body 62 on the first end 67 side of the optical fiber 6. As shown in FIG. 4, the first optical fiber body 61 has a first core 611 and a first cladding 612 formed so as to enclose the first core 611.

30 [0032] The first core 611 is made of fluoride glass doped with a rare earth element as a laser medium, and is preferably made of ZBLAN ($\text{ZrF}_4\text{-BaF}_2\text{-LaF}_3\text{-AlF}_3\text{-NaF}$) glass doped with erbium. The first cladding

81790345

612 is made of fluoride glass, and is preferably made of ZBLAN glass. It should be noted that the first cladding 612 has a refractive index lower than that of the first core 611 and is not doped with any laser medium.

5 [0033] A first end surface 623 of the second optical fiber body 62 is joined to a first end surface 613 of the first optical fiber body 61. The second optical fiber body 62 has a second core 621 and a second cladding 622 formed so as to enclose the second core 621. The second optical fiber body 62 extends coaxially to the first optical fiber
10 body 61, and has a diameter roughly equal to that of the first optical fiber body 61. Put differently, the second cladding 622 has an outer diameter roughly equal to that of the first cladding 612. It should be noted that the second optical fiber body 62 is joined to the first optical fiber body 61 by thermal fusion bonding.

15 [0034] The second core 621 of the second optical fiber body 62 has a diameter larger than that of the first core 611 of the first optical fiber body 61. Additionally, the second optical fiber body 62 is designed to have a length whereby reflection of a laser light from the first optical fiber body 61 is prevented within the second core
20 621. Put differently, when entering the second core 621 from the first core 611, the laser light is irradiated from the second core 621 before being reflected within the second core 621. Moreover, the second core 621 is not doped with any rare earth element such as erbium as a laser medium, and thus, does not generate heat even when an excitation light
25 is incident thereon. Put differently, no laser light is produced in the second optical fiber body 62.

[0035] As shown in FIG. 2, the first end cap 63 is joined to a second end surface 624 of the second optical fiber body 62. Specifically, the first end cap 63 is joined to the second optical fiber body 62
30 by thermal fusion bonding. The first end cap 63 has light permeability of allowing an excitation light and a laser light to pass therethrough, and does not have deliquescence. Additionally, the first end cap 63 preferably has a melting point higher than or equal to that of the second optical fiber body 62, and preferably has a thermal conductivity

81790345

higher than that of the second optical fiber body 62 so as to cool the second end surface 624 of the second optical fiber body 62. Moreover, the first end cap 63 preferably has a coefficient of linear expansion equivalent to that of the second optical fiber body 62 so as to be tightly joined to the second optical fiber body 62. Specifically, the first end cap 63 can be a crystal of calcium fluoride or so forth. Alternatively, the first end cap 63 may be a crystal of quartz or so forth.

[0036] As shown in FIG. 3, the second end cap 64 is joined to a second end surface 614 of the first optical fiber body 61. Specifically, the second end cap 64 is joined to the first optical fiber body 61 by thermal fusion bonding. The second end cap 64 has the same construction as the aforementioned first end cap 63, and therefore, the detailed explanation thereof will not be described.

[0037] As shown in FIGS. 2 and 3, the cooling member 65 is composed of two metallic plates 651a and 651b. The metallic plates 651a and 651b are made of, for instance, copper. The cooling member 65 is constructed to hold the first and second optical fiber bodies 61 and 62 such that the first and second optical fiber bodies 61 and 62 are interposed between the two metallic plates 651a and 651b. It should be noted that the first optical fiber body 61 is entirely interposed in and held by the cooling member 65. Put differently, the first optical fiber body 61 is not exposed from the respective metallic plates 651a and 651b in its lengthwise direction.

[0038] When described in more detail, the metallic plates 651a and 651b respectively have recesses on their opposed surfaces in order to hold the first and second optical fiber bodies 61 and 62. The first and second optical fiber bodies 61 and 62 are accommodated in an accommodation part delimited by the respective recesses, and are contacted to the respective metallic plates 651a and 651b within the accommodation part. With the construction, when heat is generated in the first and second optical fiber bodies 61 and 62, the generated heat is released through the metallic plates 651a and 651b. It should be noted that the respective metallic plates 651a and 651b are contacted

81790345

to each other at other parts except for the recesses. The metallic plate 651b, disposed as the bottom side one of the metallic plates, is contacted to a base part of the chassis 7 to be described.

[0039] As shown in FIG. 1, the chassis 7 is a cubical box member and accommodates the second and third lenses 3b and 3c, the first and second dichroic mirrors 4a and 4b, the damper 5 and the optical fiber 6. The chassis 7 has the first window part 7a and a second window part 7b, both of which have light permeability. The excitation light from the light source 2 is transmitted into the chassis 7 through the first window part 7a and is fed to the optical fiber 6. On the other hand, the laser light from the optical fiber 6 is outputted to the outside of the chassis 7 through the second window part 7b.

[0040] Additionally, the chassis 7 has the base part (not shown in the drawing) on its bottom side. A flow path in which refrigerant flows is formed in the interior of the base part. The aforementioned metallic plate 651b is mounted onto the base part, and is thereby cooled. Additionally, the metallic plate 651a is contacted to the metallic plate 651b, and is thus cooled by heat transference therebetween.

[0041] The interior of the chassis 7 is filled with nitrogen. Additionally, a desiccant is put in the interior of the chassis 7 in order to remove moisture in the interior of the chassis 7.

[0042] The chiller 8 is connected to the chassis 7 through pipes 8a. The chiller 8 is configured to regulate the temperature of the refrigerant flowing within the base part of the chassis 7. Specifically, the chiller 8 is configured to cool the refrigerant fed from the base part of the chassis 7 through one pipe 8a. The refrigerant cooled by the chiller 8 is returned to the base part of the chassis 7 through the other pipe 8a.

[0043] Next, an action of the laser oscillator 1 constructed as described above will be explained.

[0044] An excitation light oscillated by the light source 2 is outputted from the excitation light transmission fiber 2a, is converted into the state of parallel light by the first lens 3a, and is transmitted into the chassis 7 through the first window part 7a. The excitation

light transmitted into the chassis 7 penetrates through the first dichroic mirror 4a, is condensed by the second lens 3b, and enters the optical fiber 6 from its first end 67. When described in more detail, the excitation light enters the optical fiber 6 from its first end cap 63.

[0045] After entering the optical fiber 6, the excitation light propagates through the first core 611 of the first optical fiber body 61. Erbium doped in the first core 611 is thereby excited and outputs a laser light. It should be noted that the excitation light also propagates through the second core 621 of the second optical fiber body 62, but a laser light is not outputted in the second core 621 because the second core 621 is not doped with erbium. The excitation light is gradually reduced in intensity during propagation through the first core 611. Then, the excitation light, irradiated from the second end 68 of the optical fiber 6, penetrates through the third lens 3c and the second dichroic mirror 4b and is absorbed by the damper 5.

[0046] On the other hand, the laser light generated in the first core 611 of the first optical fiber body 61 is irradiated from the second end 68 of the optical fiber 6, and is converted into the state of parallel light by the third lens 3c. Then, the laser light is reflected by the second dichroic mirror 4b, is condensed by the third lens 3c, and enters the optical fiber 6 from the second end 68 side. After entering the optical fiber 6, the laser light propagates through the first core 611 of the first optical fiber body 61, and is irradiated from the first end 67 of the optical fiber 6. Then, the laser light is converted into the state of parallel light by the second lens 3b, is reflected by the first dichroic mirror 4a, is changed in propagation direction so as to be directed to the second window part 7b, and is irradiated to the outside of the chassis 7 through the second window part 7b.

[0047] [Features]

The optical fiber 6 according to the present exemplary embodiment has the following features.

[0048] (1) First, the second optical fiber body 62 is joined to the

81790345

first end surface 613 of the first optical fiber body 61, and the first end surface 613 is not exposed to the atmosphere. Hence, the first end surface 613 can be prevented from deliquescing by moisture contained in the atmosphere in which an output light is absorbed. Additionally, the first end cap 63 is joined to the second end surface 624 of the second optical fiber body 62, and the second end surface 624 is not exposed to the atmosphere. Hence, deliquescence of the second end surface 624 can be similarly prevented.

[0049] Moreover, the second optical fiber body 62 is joined to the first end surface 613 of the first optical fiber body 61. Hence, when the first optical fiber body 61 is interposed and held between the metallic plates 651a and 651b, the first end 67 of the first optical fiber body 61 is prevented from being exposed from the metallic plates 651a and 651b. As a result, the first end 67 of the first optical fiber body 61 can be also sufficiently cooled, and thereby, damage of the first core 611 by generation of heat can be prevented. It should be noted that the second optical fiber body 62 has a possibility of being exposed from the metallic plates 651a and 651b. However, the second core 621 is not doped with any laser medium, and thus, the second core 621 can be prevented from generating heat by absorption of an excitation light. As a result, even when the second optical fiber body 62 is exposed from the metallic plates 651a and 651b, damage of the second core 621 can be prevented.

[0050] (2) The second core 621 has a diameter larger than that of the first core 611 and is designed to have a length whereby reflection of an output light from the first core 611 is prevented within the second core 621. Therefore, a laser light generated by the first core 621 can be outputted without changing the mode of the laser light.

[0051] (3) The second end cap 64 is joined to the second end surface 614 of the first optical fiber body 61, and hence, damage of the second end surface 614 of the first optical fiber body 61 can be also prevented.

[0052] [Modifications]

One exemplary embodiment of the present invention has been explained above. However, the present invention is not limited to the

aforementioned exemplary embodiment, and a variety of changes can be herein made without departing from the scope of the present invention.

[0053] Modification 1

In the aforementioned exemplary embodiment, the second end cap 64 is joined to the second end surface 614 of the first optical fiber body 61, but the construction composed of these elements is not particularly limited to this. For example, as shown in FIG. 5, a third optical fiber body 66 may be interposed between the first optical fiber body 61 and the second end cap 64. Specifically, the third optical fiber body 66 is joined at a first end surface 663 to the second end surface 614 of the first optical fiber body 61, and is joined at a second end surface 664 to the second end cap 64. The third optical fiber body 66 can have the same construction as the second optical fiber body 62.

15 [0054] Modification 2

In the aforementioned exemplary embodiment, the second core 621 of the second optical fiber body 62 does not contain any laser medium, but its configuration regarding containment of a laser medium is not limited to this. For example, the second core 621 of the second optical fiber body 62 may contain a laser medium with a mass content lower than that of the laser medium contained in the first core 611 of the first optical fiber body 61. It should be noted that the mass content of the laser medium contained in the second core 621 depends on the intensity of an excitation light, the sort of a laser medium and so forth, but is preferably set such that the second core 621 is not damaged by generation of heat.

[0055] Modification 3

In the aforementioned exemplary embodiment, the first optical fiber body 61 is designed to include the first core 611 and the first cladding 612 formed so as to enclose the first core 611, but its construction is not limited to this. For example, the first optical fiber body 61 can be formed as a so-called double cladding fiber. Specifically, the first cladding 612 may be composed of an inner cladding and an outer cladding enclosing the inner cladding.

REFERENCE SIGNS LIST

- [0056] 1 Laser oscillator
- 2 Light source
- 6 Optical fiber
- 5 61 First optical fiber body
 - 611 First core
 - 612 First cladding
 - 613 First end surface
 - 614 Second end surface
- 10 62 Second optical fiber body
 - 621 Second core
 - 622 Second cladding
 - 623 First end surface
 - 624 Second end surface
- 15 63 First end cap
- 64 Second end cap
- 65 Cooling member

81790345

CLAIMS:

1. An optical fiber for generating or amplifying a laser light with use of an excitation light, comprising:
- a first optical fiber body including a first core and a first cladding;
 - a second optical fiber body including a second core and a second cladding and joined at a first end surface thereof to a first end surface of the first optical fiber body; and
 - a first end cap having light permeability and joined to a second end surface of the second optical fiber body;
- wherein:
- the first core is doped with a laser medium;
 - a mass content of the laser medium in the second core is lower than a mass content of the laser medium in the first core;
 - and
 - the second core has a diameter larger than a diameter of the first core and is designed to have a length whereby reflection of an output light from the first core is prevented within the second core.
2. The optical fiber recited in claim 1, wherein the first core is doped with the laser medium, and the second core is not doped with the laser medium.
3. The optical fiber recited in claim 1 or 2, wherein the first and second optical fiber bodies are made of fluoride glass, and the laser medium is a rare earth element.
4. The optical fiber recited in claim 3, wherein the first and second optical fiber bodies are made of ZBLAN glass.
5. The optical fiber recited in claim 3 or 4, wherein the laser medium is erbium.
6. The optical fiber recited in any of claims 1 to 5, wherein the first end cap is made of calcium fluoride.

81790345

7. The optical fiber recited in any of claims 1 to 6, further comprising:

a second end cap having light permeability and joined to a second end surface of the first optical fiber body.

5 8. The optical fiber recited in any of claims 1 to 7, further comprising:

a cooling member for cooling the first optical fiber body and the second optical fiber body.

9. A laser oscillator, comprising:

10 the optical fiber recited in any of claims 1 to 8;

a chassis accommodating the optical fiber; and

a light source configured to oscillate the excitation light.

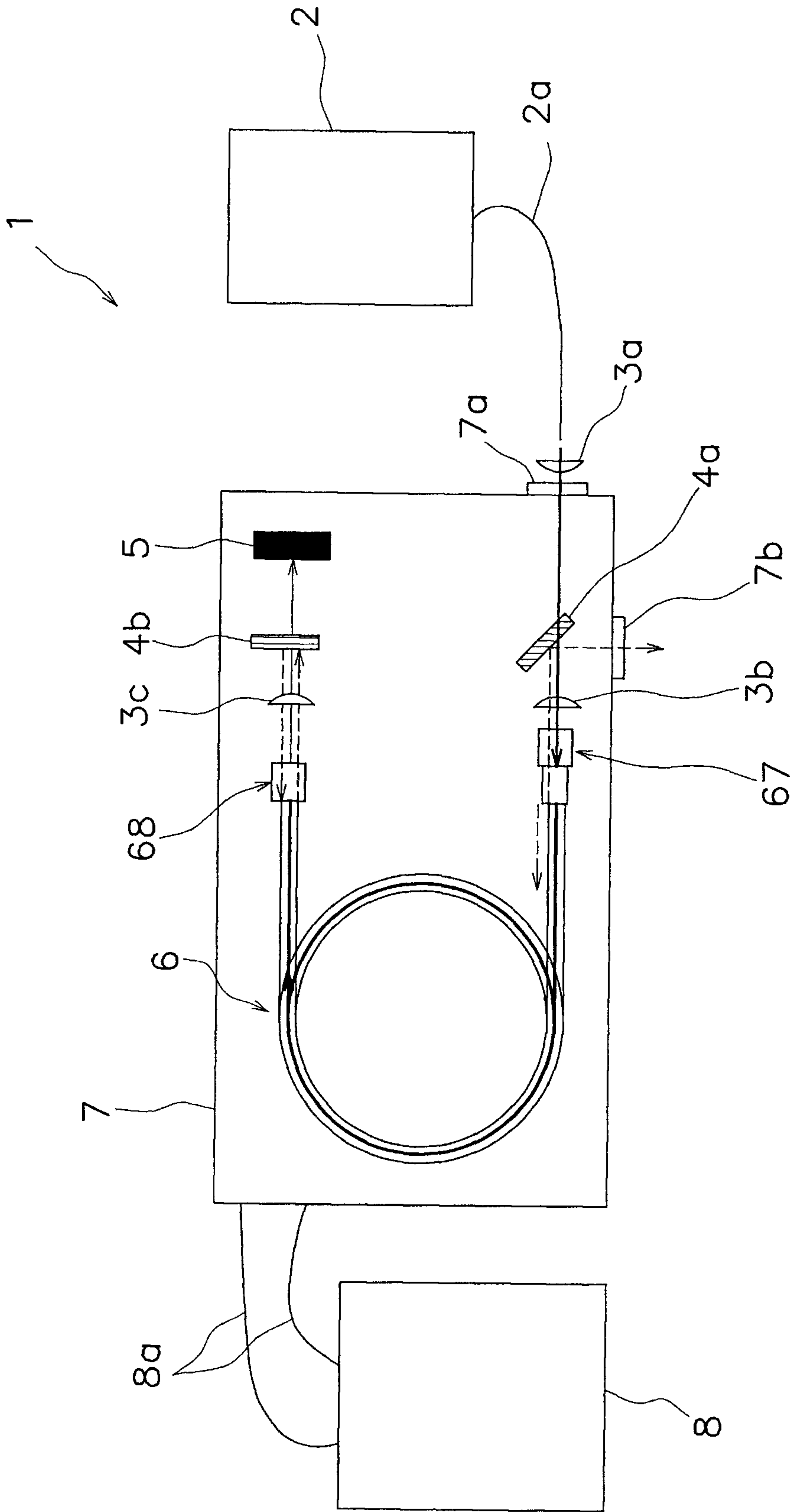


FIG. 1

FIG. 2

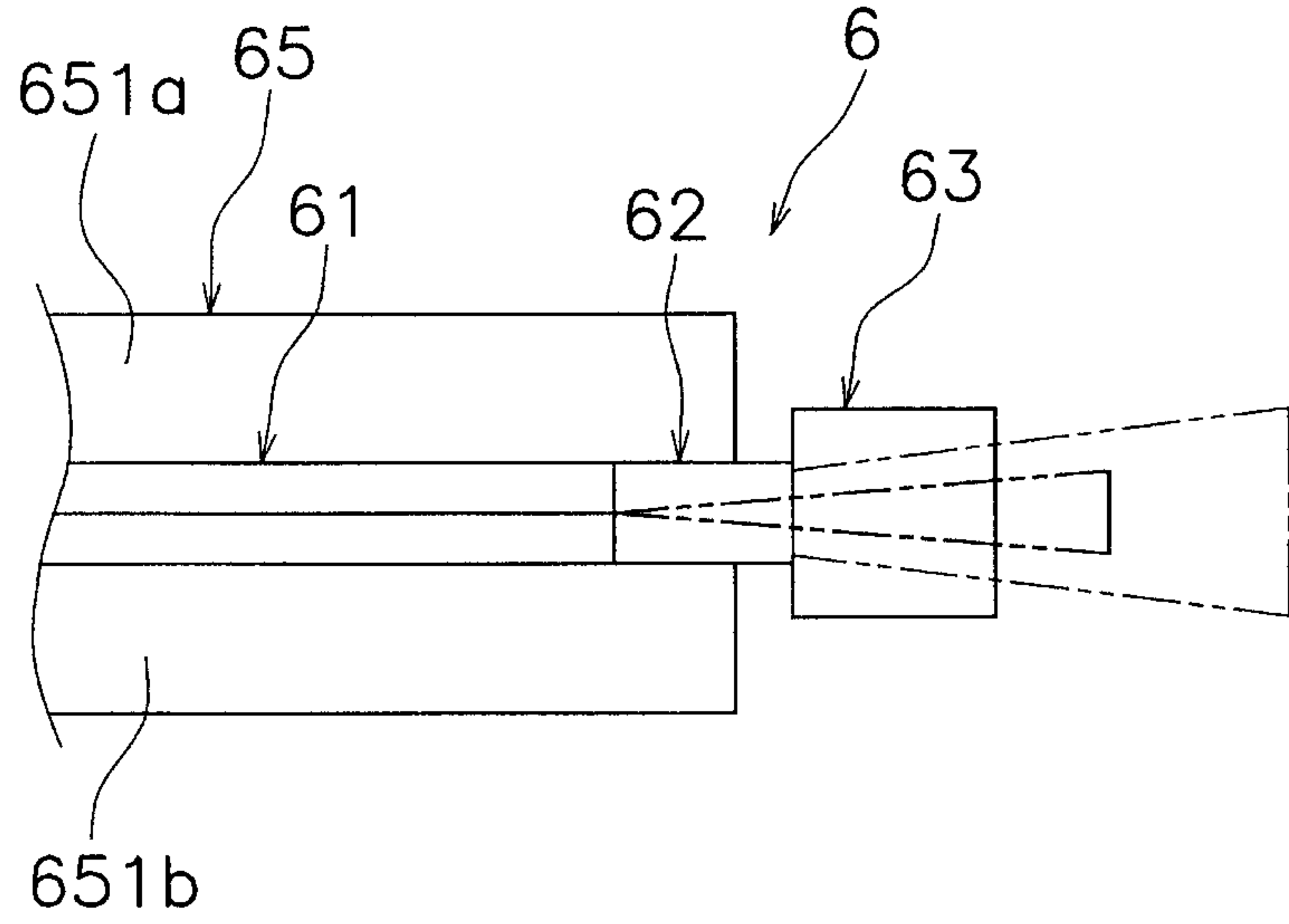


FIG. 3

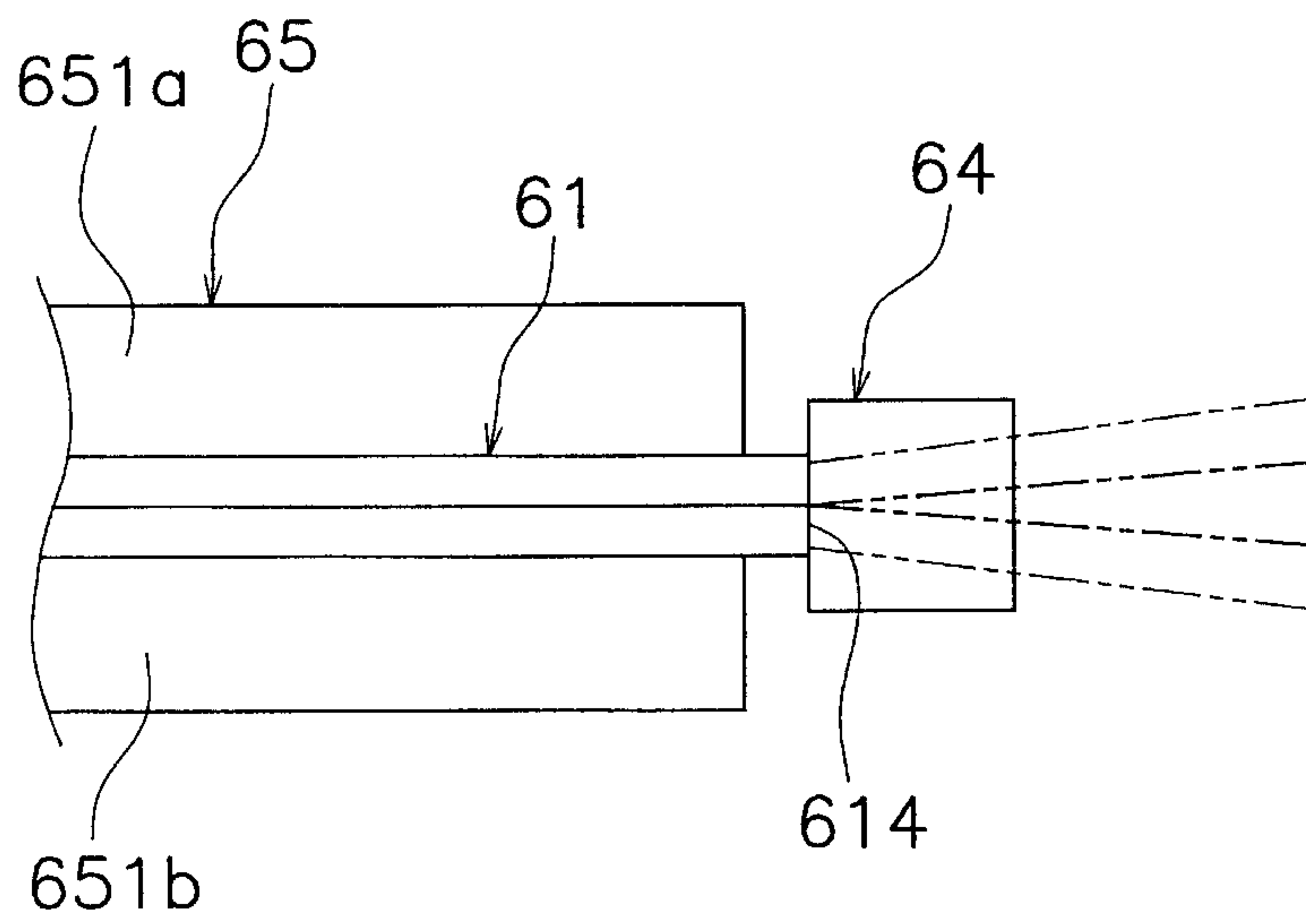


FIG. 4

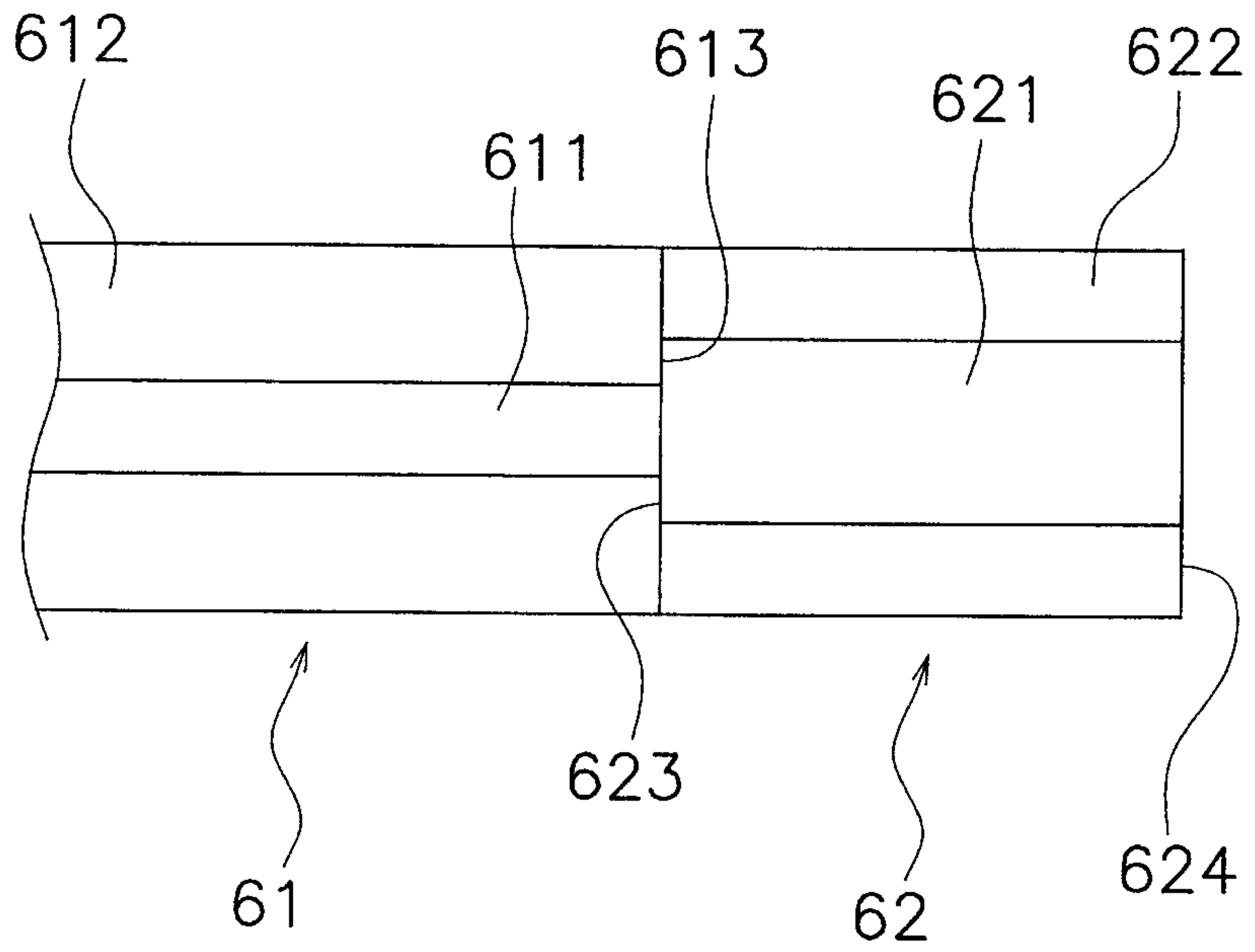


FIG. 5

