



(43) International Publication Date
2 October 2014 (02.10.2014)

(51) International Patent Classification:

F01D 9/02 (2006.01) F01D 25/28 (2006.01)
F01D 21/00 (2006.01) F02C 7/20 (2006.01)

(21) International Application Number:

PCT/US2014/010166

(22) International Filing Date:

3 January 2014 (03.01.2014)

(25) Filing Language:

English

(26) Publication Language:

English

(30) Priority Data:

13/736,122 8 January 2013 (08.01.2013) US

(71) Applicant: UNITED TECHNOLOGIES CORPORATION [US/US]; One Financial Plaza, Hartford, Connecticut 06101 (US).

(72) Inventors: RICHARDSON, Robert B.; 28 Rosewood Circle, Kennebunk, Maine 04043 (US). FORD, Steven J.; 9 Samuel Drive, Sanford, Maine 04073 (US). ECKLAND, Kevin C.; 12 Alewife Farms Rd., Kennebunk, Maine 04043 (US). MADDURI, Kishore Kumar; H.No: 10-3-128, Fathe Nagar, Sanath Nagar (PO), Hyderabad 500 018 (IN). VADDATTI, Chandrashekar; Plot No: 426-D, Shantiniketan, Behind Sana College, Bhairidevara Koppa, Hubli 580 025 (IN). ANKAM, Ramesh; H.No: 19-260, Ram Nagar, Mancherial, Adilabad 504 208 (IN).

(74) Agent: SIRAGUSA, John M.; Carlson, Gaskey & Olds/pratt & Whitney, c/o CPA Global, P.O. Box 52050, Minneapolis, Minnesota 55402 (US).

(81) Designated States (unless otherwise indicated, for every kind of national protection available): AE, AG, AL, AM, AO, AT, AU, AZ, BA, BB, BG, BH, BN, BR, BW, BY, BZ, CA, CH, CL, CN, CO, CR, CU, CZ, DE, DK, DM, DO, DZ, EC, EE, EG, ES, FI, GB, GD, GE, GH, GM, GT, HN, HR, HU, ID, IL, IN, IR, IS, JP, KE, KG, KN, KP, KR, KZ, LA, LC, LK, LR, LS, LT, LU, LY, MA, MD, ME, MG, MK, MN, MW, MX, MY, MZ, NA, NG, NI, NO, NZ, OM, PA, PE, PG, PH, PL, PT, QA, RO, RS, RU, RW, SA, SC, SD, SE, SG, SK, SL, SM, ST, SV, SY, TH, TJ, TM, TN, TR, TT, TZ, UA, UG, US, UZ, VC, VN, ZA, ZM, ZW.

(84) Designated States (unless otherwise indicated, for every kind of regional protection available): ARIPO (BW, GH, GM, KE, LR, LS, MW, MZ, NA, RW, SD, SL, SZ, TZ, UG, ZM, ZW), Eurasian (AM, AZ, BY, KG, KZ, RU, TJ, TM), European (AL, AT, BE, BG, CH, CY, CZ, DE, DK, EE, ES, FI, FR, GB, GR, HR, HU, IE, IS, IT, LT, LU, LV, MC, MK, MT, NL, NO, PL, PT, RO, RS, SE, SI, SK, SM, TR), OAPI (BF, BJ, CF, CG, CI, CM, GA, GN, GQ, GW, KM, ML, MR, NE, SN, TD, TG).

Published:

- with international search report (Art. 21(3))
- before the expiration of the time limit for amending the claims and to be republished in the event of receipt of amendments (Rule 48.2(h))

(88) Date of publication of the international search report:

11 December 2014

(54) Title: STATOR ANTI-ROTATION DEVICE

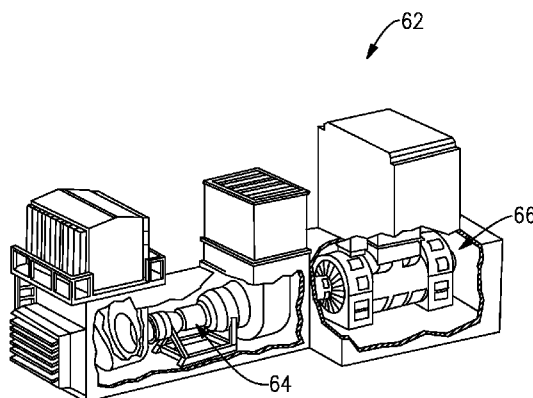


FIG. 2

(57) Abstract: A stator vane assembly for a gas turbine engine is disclosed and includes a plurality of vanes received within channels defined within a case. An anti-rotation plate extends from a flange of the case between adjacent ones of the plurality of vanes for preventing rotation of the plurality of vanes relative to the case.



A. CLASSIFICATION OF SUBJECT MATTER**F01D 9/02(2006.01)i, F01D 21/00(2006.01)i, F01D 25/28(2006.01)i, F02C 7/20(2006.01)i**

According to International Patent Classification (IPC) or to both national classification and IPC

B. FIELDS SEARCHED

Minimum documentation searched (classification system followed by classification symbols)

F01D 9/02; F01D 25/12; F01D 11/08; F01D 25/28; F01D 5/30; F01D 21/00; F02C 7/20

Documentation searched other than minimum documentation to the extent that such documents are included in the fields searched

Korean utility models and applications for utility models

Japanese utility models and applications for utility models

Electronic data base consulted during the international search (name of data base and, where practicable, search terms used)

eKOMPASS(KIPO internal) & Keywords:vane, stator vane, case, flange, anti-rotation, recess, slot, turbine, lock

C. DOCUMENTS CONSIDERED TO BE RELEVANT

Category*	Citation of document, with indication, where appropriate, of the relevant passages	Relevant to claim No.
X	US 4522559 A (BURGE et al.) 11 June 1985 See abstract, column 2, line 60 - column 3, line 8, and figure 1.	1-11, 14-16
A		12, 13
A	US 2011-0008165 A1 (OTTOW et al.) 13 January 2011 See paragraphs [0025],[0026] and figures 2A, 2B.	1-16
A	US 2006-0153683 A1 (DUBE et al.) 13 July 2006 See paragraphs [0026],[0027], claim 1, and figures 2-4.	1-16
A	US 2010-0278631 A1 (HEDA et al.) 04 November 2010 See paragraphs [0026]-[0029] and figures 3-6.	1-16
A	US 2008-0107530 A1 (BART et al.) 08 May 2008 See paragraphs [0043]-[0048] and figures 1-6.	1-16

 Further documents are listed in the continuation of Box C. See patent family annex.

* Special categories of cited documents:

"A" document defining the general state of the art which is not considered to be of particular relevance

"E" earlier application or patent but published on or after the international filing date

"L" document which may throw doubts on priority claim(s) or which is cited to establish the publication date of another citation or other special reason (as specified)

"O" document referring to an oral disclosure, use, exhibition or other means

"P" document published prior to the international filing date but later than the priority date claimed

"T" later document published after the international filing date or priority date and not in conflict with the application but cited to understand the principle or theory underlying the invention

"X" document of particular relevance; the claimed invention cannot be considered novel or cannot be considered to involve an inventive step when the document is taken alone

"Y" document of particular relevance; the claimed invention cannot be considered to involve an inventive step when the document is combined with one or more other such documents, such combination being obvious to a person skilled in the art

"&" document member of the same patent family

Date of the actual completion of the international search

24 October 2014 (24.10.2014)

Date of mailing of the international search report

27 October 2014 (27.10.2014)

Name and mailing address of the ISA/KR

International Application Division
Korean Intellectual Property Office
189 Cheongsu-ro, Seo-gu, Daejeon Metropolitan City, 302-701,
Republic of Korea

Facsimile No. +82-42-472-7140

Authorized officer

KIM, Jin Ho

Telephone No. +82-42-481-8699



INTERNATIONAL SEARCH REPORT

Information on patent family members

International application No.

PCT/US2014/010166

Patent document cited in search report	Publication date	Patent family member(s)	Publication date
US 4522559 A	11/06/1985	JP 02-061603 B JP 1632811 C JP 58-152108 A	20/12/1990 26/12/1991 09/09/1983
US 2011-0008165 A1	13/01/2011	US 8444380 B2 US 8613593 B2	21/05/2013 24/12/2013
US 2006-0153683 A1	13/07/2006	AU 2005-201628 A1 CA 2501525 A1 EP 1589194 A2 EP 1589194 A3 EP 1589194 B1 NO 20051873 A NO 20051873 D0 US 7144218 B2	03/11/2005 19/10/2005 26/10/2005 10/01/2007 14/07/2010 20/10/2005 18/04/2005 05/12/2006
US 2010-0278631 A1	04/11/2010	CH 700990 A2 CH 700990 B1 CN 101876270 A CN 101876270 B DE 102010016546 A1 JP 05590957 B2 JP 2010-261447 A US 8142138 B2	15/11/2010 31/08/2011 03/11/2010 29/05/2013 11/11/2010 17/09/2014 18/11/2010 27/03/2012
US 2008-0107530 A1	08/05/2008	CA 2608402 A1 DE 602007002684 D1 EP 1921273 A1 EP 1921273 B1 FR 2908153 A1 FR 2908153 B1 JP 05209939 B2 JP 2008-138670 A RU 2007141150 A RU 2436965 C2 US 8182202 B2	07/05/2008 19/11/2009 14/05/2008 07/10/2009 09/05/2008 13/05/2011 12/06/2013 19/06/2008 20/05/2009 20/12/2011 22/05/2012