

(19) World Intellectual Property
Organization
International Bureau



(10) International Publication Number
WO 2014/142690 A8

(43) International Publication Date
18 September 2014 (18.09.2014)

- (51) International Patent Classification:
E04D 3/30 (2006.01) *E04D 3/365* (2006.01)
- (21) International Application Number:
PCT/PL2014/000021
- (22) International Filing Date:
10 March 2014 (10.03.2014)
- (25) Filing Language: English
- (26) Publication Language: English
- (30) Priority Data:
P.403087 11 March 2013 (11.03.2013) PL
- (71) Applicant: **BUDMAT BOGDAN WIĘCEK** [PL/PL]; ul. Otolińska 25, PL-09-407 Płock (PL).
- (72) Inventor: **CHABOWSKI, Andrzej**; ul. Rutskich 5m.3, PL-09-400 Płock (PL).
- (74) Agent: **ZIELIŃSKI, Wojciech**; Wojciech Zieliński-Uslugi Projektowe i Prace Innowacyjne, ul. Armii Polskiej 18/5, PL-66-400 Gorzów Wielkopolski (PL).

(81) Designated States (unless otherwise indicated, for every kind of national protection available): AE, AG, AL, AM, AO, AT, AU, AZ, BA, BB, BG, BH, BN, BR, BW, BY, BZ, CA, CH, CL, CN, CO, CR, CU, CZ, DE, DK, DM, DO, DZ, EC, EE, EG, ES, FI, GB, GD, GE, GH, GM, GT, HN, HR, HU, ID, IL, IN, IR, IS, JP, KE, KG, KN, KP, KR, KZ, LA, LC, LK, LR, LS, LT, LU, LY, MA, MD, ME, MG, MK, MN, MW, MX, MY, MZ, NA, NG, NI, NO, NZ, OM, PA, PE, PG, PH, PL, PT, QA, RO, RS, RU, RW, SA, SC, SD, SE, SG, SK, SL, SM, ST, SV, SY, TH, TJ, TM, TN, TR, TT, TZ, UA, UG, US, UZ, VC, VN, ZA, ZM, ZW.

(84) Designated States (unless otherwise indicated, for every kind of regional protection available): ARIPO (BW, GH, GM, KE, LR, LS, MW, MZ, NA, RW, SD, SL, SZ, TZ, UG, ZM, ZW), Eurasian (AM, AZ, BY, KG, KZ, RU, TJ, TM), European (AL, AT, BE, BG, CH, CY, CZ, DE, DK, EE, ES, FI, FR, GB, GR, HR, HU, IE, IS, IT, LT, LU, LV, MC, MK, MT, NL, NO, PL, PT, RO, RS, SE, SI, SK, SM, TR), OAPI (BF, BJ, CF, CG, CI, CM, GA, GN, GQ, GW, KM, ML, MR, NE, SN, TD, TG).

[Continued on next page]

(54) Title: ROOF COVERING ELEMENT (TILES-LIKE SHEET) EQUIPPED WITH ANGLE BRACKET

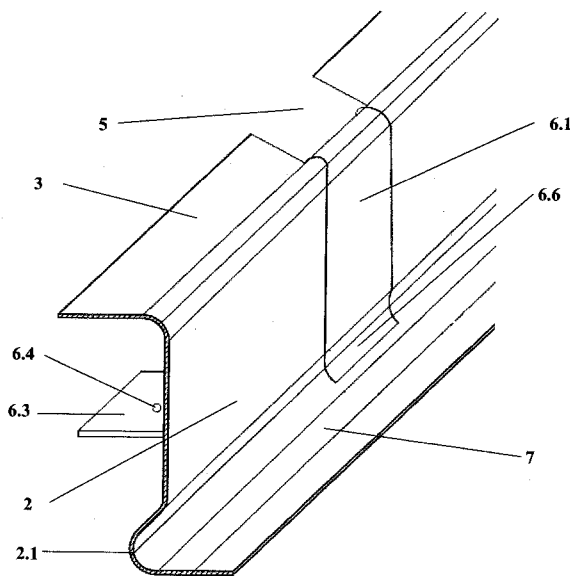


Fig. 2

(57) Abstract: The roof covering element (tiles-like sheet) equipped with an angle bracket characterises by that the ending surface (3) of the roof covering element (1), in the wave-shaped rib of the upper edge surface (2), preferably in a part without assembling hole (4), has at least one notch (5), in which is placed an angle bracket (6), and said notch (5) width is bigger than the angle bracket (6) width.



WO 2014/142690 A8



Declarations under Rule 4.17:

- *as to the identity of the inventor (Rule 4.17(i))*
- *as to applicant's entitlement to apply for and be granted a patent (Rule 4.17(ii))*

(48) Date of publication of this corrected version:

6 November 2014

(15) Information about Correction:

see Notice of 6 November 2014

Published:

- *with international search report (Art. 21(3))*