

(12) 특허협력조약에 의하여 공개된 국제출원

(19) 세계지식재산권기구
국제사무국

(43) 국제공개일
2012년 12월 20일 (20.12.2012)



(10) 국제공개번호
WO 2012/173441 A3

- (51) 국제특허분류:
H04N 7/08 (2006.01) H04N 7/173 (2011.01)
- (21) 국제출원번호: PCT/KR2012/004779
- (22) 국제출원일: 2012년 6월 18일 (18.06.2012)
- (25) 출원언어: 한국어
- (26) 공개언어: 한국어
- (30) 우선권정보:
61/497,537 2011년 6월 16일 (16.06.2011) US
61/540,546 2011년 9월 29일 (29.09.2011) US
- (71) 출원인 (US 을(를) 제외한 모든 지정국에 대하여): 엘지 전자 주식회사 (LG ELECTRONICS INC.) [KR/KR]; 150-721 서울 영등포구 여의도동 20, Seoul (KR).
- (72) 발명자: 곁
- (75) 발명자/출원인 (US 에 한하여): 김경호 (KIM, Kyung-ho) [KR/KR]; 137-724 서울 서초구 우면동 16 LG 전자 전자기술원, Seoul (KR). 김관석 (KIM, Kwansuk) [KR/KR]; 137-724 서울 서초구 우면동 16 LG 전자 전자기술원, Seoul (KR). 이준휘 (LEE, Joonhui) [KR/KR]; 137-724 서울 서초구 우면동 16 LG 전자 전자기술원, Seoul (KR). 토마스고머 (THOMAS, Gomer) [KR/US]; 08550 뉴저지주 프린스턴 교차로 워싱턴로 40, New

Jersey (US). 문경수 (MOON, Kyungsoo) [KR/KR]; 137-724 서울 서초구 우면동 16 LG 전자 전자기술원, Seoul (KR). 지에띠 (JI, Aettie) [KR/KR]; 137-724 서울 서초구 우면동 16 LG 전자 전자기술원, Seoul (KR). 김진필 (KIM, Jinpil) [KR/KR]; 137-724 서울 서초구 우면동 16 LG 전자 전자기술원, Seoul (KR). 서종열 (SUH, Jongyeul) [KR/KR]; 137-724 서울 서초구 우면동 16 LG 전자 전자기술원, Seoul (KR). 김상현 (KIM, Sanghyun) [KR/KR]; 137-724 서울 서초구 우면동 16 LG 전자 전자기술원, Seoul (KR).

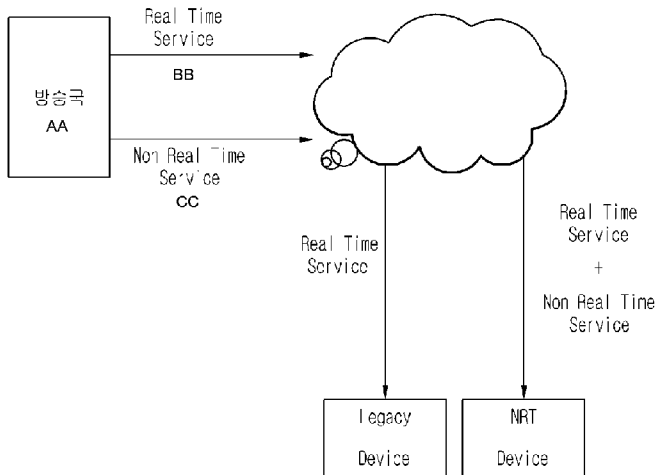
- (74) 대리인: 허용록 (HAW, Yong Noke); 135-080 서울 강남구 역삼동 832-41 현죽빌딩 6층, Seoul (KR).
- (81) 지정국 (별도의 표시가 없는 한, 가능한 모든 종류의 국내 권리의 보호를 위하여): AE, AG, AL, AM, AO, AT, AU, AZ, BA, BB, BG, BH, BR, BW, BY, BZ, CA, CH, CL, CN, CO, CR, CU, CZ, DE, DK, DM, DO, DZ, EC, EE, EG, ES, FI, GB, GD, GE, GH, GM, GT, HN, HR, HU, ID, IL, IN, IS, JP, KE, KG, KM, KN, KP, KR, KZ, LA, LC, LK, LR, LS, LT, LU, LY, MA, MD, ME, MG, MK, MN, MW, MX, MY, MZ, NA, NG, NI, NO, NZ, OM, PE, PG, PH, PL, PT, QA, RO, RS, RU, RW, SC, SD, SE, SG, SK, SL, SM, ST, SV, SY, TH, TJ, TM, TN, TR, TT, TZ, UA, UG, US, UZ, VC, VN, ZA, ZM, ZW.

[다음 쪽 계속]

(54) Title: METHOD FOR TRANSMITTING A BROADCAST SERVICE, METHOD FOR RECEIVING A BROADCAST SERVICE, AND APPARATUS FOR RECEIVING A BROADCAST SERVICE

(54) 발명의 명칭 : 방송 서비스 전송 방법, 그 수신 방법 및 방송 서비스 수신 장치

[Fig. 1]



AA ... Broadcast station
BB ... Real-time Service
CC ... Non-real-time Service

(57) Abstract: According to the present invention, a method for receiving a broadcast service comprises the steps of: receiving a trigger; receiving a triggered object; if an object of the received trigger is said triggered object, performing a trigger action on said triggered object within a trigger time; receiving real-time data made available by said triggered object, due to an operation of said triggered object resulting from said performance of the trigger action; and providing a service using said real-time data.

(57) 요약서: 본 발명에 따른 방송 서비스 수신 방법은 트리거를 수신하는 단계; 트리거된 오브젝트를 수신하는 단계; 상기 수신된 트리거의 대상이 상기 트리거된 오브젝트인 경우, 트리거 시간에 상기 트리거된 오브젝트에 대한 트리거 액션을 수행하는 단계; 상기 트리거 액션 수행에 따른 상기 트리거된 오브젝트의 동작에 의해, 상기 트리거된 오브젝트가 이용 가능한 실시간 데이터를 수신하는 단계; 및 상기 실시간 데이터를 이용하여 서비스를 제공하는 단계를 포함한다.



WO 2012/173441 A3



(84) 지정국 (별도의 표시가 없는 한, 가능한 모든 종류의 역내 권리의 보호를 위하여): ARIPO (BW, GH, GM, KE, LR, LS, MW, MZ, NA, RW, SD, SL, SZ, TZ, UG, ZM, ZW), 유라시아 (AM, AZ, BY, KG, KZ, RU, TJ, TM), 유럽 (AL, AT, BE, BG, CH, CY, CZ, DE, DK, EE, ES, FI, FR, GB, GR, HR, HU, IE, IS, IT, LT, LU, LV, MC, MK, MT, NL, NO, PL, PT, RO, RS, SE, SI, SK,

SM, TR), OAPI (BF, BJ, CF, CG, CI, CM, GA, GN, GQ, GW, ML, MR, NE, SN, TD, TG).

공개:

— 국제조사보고서와 함께 (조약 제 21 조(3))

(88) 국제조사보고서 공개일:

2013년 3월 28일

INTERNATIONAL SEARCH REPORT

International application No.

PCT/KR2012/004779

A. CLASSIFICATION OF SUBJECT MATTER

H04N 7/08(2006.01)i, H04N 7/173(2011.01)i

According to International Patent Classification (IPC) or to both national classification and IPC

B. FIELDS SEARCHED

Minimum documentation searched (classification system followed by classification symbols)

H04N 7/08; H04N 7/015; H04N 5/91; H04N 5/76; H04N 7/00; H04N 21/43

Documentation searched other than minimum documentation to the extent that such documents are included in the fields searched
Korean Utility models and applications for Utility models: IPC as above
Japanese Utility models and applications for Utility models: IPC as aboveElectronic data base consulted during the international search (name of data base and, where practicable, search terms used)
eKOMPASS (KIPO internal) & Keywords: broadcasting service, trigger, object, real-time, nonreal-time, signalling, stream

C. DOCUMENTS CONSIDERED TO BE RELEVANT

Category*	Citation of document, with indication, where appropriate, of the relevant passages	Relevant to claim No.
A	KR 10-2009-0021111 A (LG ELECTRONICS INC.) 27 February 2009 See abstract; claims 1-7; figure 34	1-20
A	KR 10-2009-0127826 A (LG ELECTRONICS INC.) 14 December 2009 See abstract; claims 1-2; figures 1,9	1-20
A	JP 2008-118654 A (SONY UNITED KINGDOM LTD) 22 May 2008 See abstract; claims 1-2; figure 1	1-20

 Further documents are listed in the continuation of Box C. See patent family annex.

* Special categories of cited documents:

"A" document defining the general state of the art which is not considered to be of particular relevance

"E" earlier application or patent but published on or after the international filing date

"L" document which may throw doubts on priority claim(s) or which is cited to establish the publication date of another citation or other special reason (as specified)

"O" document referring to an oral disclosure, use, exhibition or other means

"P" document published prior to the international filing date but later than the priority date claimed

"I" later document published after the international filing date or priority date and not in conflict with the application but cited to understand the principle or theory underlying the invention

"X" document of particular relevance; the claimed invention cannot be considered novel or cannot be considered to involve an inventive step when the document is taken alone

"Y" document of particular relevance; the claimed invention cannot be considered to involve an inventive step when the document is combined with one or more other such documents, such combination being obvious to a person skilled in the art

"&" document member of the same patent family

Date of the actual completion of the international search

06 DECEMBER 2012 (06.12.2012)

Date of mailing of the international search report

10 DECEMBER 2012 (10.12.2012)

Name and mailing address of the ISA/KR

Korean Intellectual Property Office
Government Complex-Daejeon, 139 Seonsa-ro, Daejeon 302-701,
Republic of Korea

Facsimile No. 82-42-472-7140

Authorized officer

Telephone No.

INTERNATIONAL SEARCH REPORT
Information on patent family members

International application No.

PCT/KR2012/004779

Patent document cited in search report	Publication date	Patent family member	Publication date
KR 10-2009-0021111 A	27.02.2009	CA 2656446 A1	03.01.2008
		CA 2688380 A1	31.12.2008
		CA 2688380 C	20.09.2011
		CA 2688391 A1	31.12.2008
		CA 2689103 A1	31.12.2008
		CA 2689415 A1	31.12.2008
		CA 2692025 A1	31.12.2008
		CA 2692025 C	08.05.2012
		CA 2693358 A1	29.01.2009
		CA 2693363 A1	26.03.2009
		CA 2694078 A1	05.02.2009
		CA 2694704 A1	05.03.2009
		CA 2695142 A1	05.03.2009
		CA 2695548 A1	05.03.2009
		CA 2696721 A1	05.03.2009
		CA 2696721 C	24.07.2012
		CA 2696726 A1	05.03.2009
		CA 2697453 A1	05.03.2009
		CA 2697459 A1	05.03.2009
		CA 2697468 A1	05.03.2009
		CA 2697481 A1	05.03.2009
		CA 2697483 A1	05.03.2009
		CA 2697485 A1	05.03.2009
		CA 2697486 A1	05.03.2009
		CA 2698298 A1	26.03.2009
		CA 2699839 A1	26.03.2009
		CA 2700260 A1	26.03.2009
		CA 2700266 A1	26.03.2009
		CA 2721151 A1	22.10.2009
		CA 2725288 A1	17.12.2009
		CA 2726831 A1	17.12.2009
		CA 2726835 A1	17.12.2009
		CA 2739885 A1	27.05.2010
		CA 2743997 A1	27.05.2010
		CA 2744183 A1	27.05.2010
		CA 2746186 A1	17.06.2010
		CA 2746732 A1	05.08.2010
		CA 2746735 A1	05.08.2010
		CA 2746737 A1	05.08.2010
		CN 101690197 A	31.03.2010
		CN 101690198 A	31.03.2010
		CN 101690198 A	31.03.2010
		CN 101690201 A	31.03.2010
CN 101766025 A	30.06.2010		
CN 101766025 B	03.08.2011		
CN 101766026 A	30.06.2010		
CN 101779390 A	14.07.2010		
CN 101785301 A	21.07.2010		
CN 101785302 A	21.07.2010		

INTERNATIONAL SEARCH REPORT
Information on patent family members

International application No.

PCT/KR2012/004779

Patent document cited in search report	Publication date	Patent family member	Publication date
		CN 101785303 A	21.07.2010
		CN 101785303 B	21.12.2011
		CN 101785304 A	21.07.2010
		CN 101790883 A	28.07.2010
		CN 101790884 A	28.07.2010
		CN 101790885 A	28.07.2010
		CN 101790885 B	28.12.2011
		CN 101796832 A	04.08.2010
		CN 101796833 A	04.08.2010
		CN 101796834 A	04.08.2010
		CN 101796835 A	04.08.2010
		CN 101809997 A	18.08.2010
		CN 101836444 A	15.09.2010
		CN 101836445 A	15.09.2010
		CN 101836446 A	15.09.2010
		CN 101836447 A	15.09.2010
		CN 101836448 A	15.09.2010
		CN 101836448 A	15.09.2010
		CN 101836449 A	15.09.2010
		CN 101836450 A	15.09.2010
		CN 101836452 A	15.09.2010
		CN 101861731 A	13.10.2010
		CN 101861731 A	13.10.2010
		CN 101868971 A	20.10.2010
		CN 101868971 A	20.10.2010
		CN 101868972 A	20.10.2010
		CN 101868972 A	20.10.2010
		CN 102301701 A	28.12.2011
		CN 102301702 A	28.12.2011
		CN 102301703 A	28.12.2011
		EP 2036059 A1	18.03.2009
		EP 2172014 A1	07.04.2010
		EP 2172015 A1	07.04.2010
		EP 2191644 A2	02.06.2010
		KR 10-0902903 B1	15.06.2009
		KR 10-0902904 B1	16.06.2009
		KR 10-0902905 B1	15.06.2009
		KR 10-0902906 B1	15.06.2009
		KR 10-0904432 B1	24.06.2009
		KR 10-0904434 B1	26.06.2009
		KR 10-0904447 B1	26.06.2009
		KR 10-0908060 B1	15.07.2009
		KR 10-0908061 B1	15.07.2009
		KR 10-0913108 B1	21.08.2009
		KR 10-0913109 B1	21.08.2009
		KR 10-0917204 B1	15.09.2009
		KR 10-0917211 B1	15.09.2009
		KR 10-0917212 B1	15.09.2009
		KR 10-0917830 B1	18.09.2009
		KR 10-0917831 B1	18.09.2009

INTERNATIONAL SEARCH REPORT
Information on patent family members

International application No.

PCT/KR2012/004779

Patent document cited in search report	Publication date	Patent family member	Publication date
		KR 10-0921474 B1	13.10.2009
		KR 10-0925447 B1	06.11.2009
		KR 10-0932491 B1	17.12.2009
		KR 10-1008652 B1	17.01.2011
		KR 10-2008-0114569 A	31.12.2008
		KR 10-2008-0114570 A	31.12.2008
		KR 10-2008-0114592 A	31.12.2008
		KR 10-2008-0114594 A	31.12.2008
		KR 10-2008-0114595 A	31.12.2008
		KR 10-2008-0114596 A	31.12.2008
		KR 10-2009-0001359 A	08.01.2009
		KR 10-2009-0001402 A	08.01.2009
		KR 10-2009-0001403 A	08.01.2009
		KR 10-2009-0002855 A	09.01.2009
		KR 10-2009-0003105 A	09.01.2009
		KR 10-2009-0004059 A	12.01.2009
		KR 10-2009-0004060 A	12.01.2009
		KR 10-2009-0004267 A	12.01.2009
		KR 10-2009-0004579 A	12.01.2009
		KR 10-2009-0004580 A	12.01.2009
		KR 10-2009-0004581 A	12.01.2009
		KR 10-2009-0004582 A	12.01.2009
		KR 10-2009-0004653 A	12.01.2009
		KR 10-2009-0004658 A	12.01.2009
		KR 10-2009-0004659 A	12.01.2009
		KR 10-2009-0004660 A	12.01.2009
		KR 10-2009-0004661 A	12.01.2009
		KR 10-2009-0004663 A	12.01.2009
		KR 10-2009-0004664 A	12.01.2009
		KR 10-2009-0004665 A	12.01.2009
		KR 10-2009-0004666 A	12.01.2009
		KR 10-2009-0004667 A	12.01.2009
		KR 10-2009-0004722 A	12.01.2009
		KR 10-2009-0004724 A	12.01.2009
		KR 10-2009-0004725 A	12.01.2009
		KR 10-2009-0004773 A	12.01.2009
		KR 10-2009-0010913 A	30.01.2009
		KR 10-2009-0010927 A	30.01.2009
		KR 10-2009-0012111 A	02.02.2009
		KR 10-2009-0012133 A	02.02.2009
		KR 10-2009-0012180 A	02.02.2009
		KR 10-2009-0012292 A	03.02.2009
		KR 10-2009-0021101 A	27.02.2009
		KR 10-2009-0021102 A	27.02.2009
		KR 10-2009-0021104 A	27.02.2009
		KR 10-2009-0021106 A	27.02.2009
		KR 10-2009-0021108 A	27.02.2009
		KR 10-2009-0021109 A	27.02.2009
		KR 10-2009-0021110 A	27.02.2009
		KR 10-2009-0021112 A	27.02.2009

INTERNATIONAL SEARCH REPORT
Information on patent family members

International application No.

PCT/KR2012/004779

Patent document cited in search report	Publication date	Patent family member	Publication date
		KR 10-2009-0021113 A	27.02.2009
		KR 10-2009-0021114 A	27.02.2009
		KR 10-2009-0021115 A	27.02.2009
		KR 10-2009-0021116 A	27.02.2009
		KR 10-2009-0021119 A	27.02.2009
		KR 10-2009-0021120 A	27.02.2009
		KR 10-2009-0021121 A	27.02.2009
		KR 10-2009-0021122 A	27.02.2009
		KR 10-2009-0021123 A	27.02.2009
		KR 10-2009-0021124 A	27.02.2009
		KR 10-2009-0021125 A	27.02.2009
		KR 10-2009-0021126 A	27.02.2009
		KR 10-2009-0021127 A	27.02.2009
		KR 10-2009-0021129 A	27.02.2009
		KR 10-2009-0021130 A	27.02.2009
		KR 10-2009-0021131 A	27.02.2009
		KR 10-2009-0031266 A	25.03.2009
		KR 10-2009-0031267 A	25.03.2009
		KR 10-2009-0031308 A	25.03.2009
		KR 10-2009-0031312 A	25.03.2009
		KR 10-2009-0031313 A	25.03.2009
		KR 10-2009-0031318 A	25.03.2009
		KR 10-2009-0031319 A	25.03.2009
		KR 10-2009-0031320 A	25.03.2009
		KR 10-2009-0031322 A	25.03.2009
		KR 10-2009-0031323 A	25.03.2009
		KR 10-2009-0031324 A	25.03.2009
		KR 10-2009-0031326 A	25.03.2009
		KR 10-2009-0031328 A	25.03.2009
		KR 10-2009-0031329 A	25.03.2009
		KR 10-2009-0108677 A	16.10.2009
		KR 10-2009-0127826 A	14.12.2009
		KR 10-2009-0127839 A	14.12.2009
		KR 10-2009-0127840 A	14.12.2009
		KR 10-2009-0131663 A	29.12.2009
		KR 10-2010-0006134 A	18.01.2010
		KR 10-2010-0089003 A	11.08.2010
		KR 10-2010-0089004 A	11.08.2010
		KR 10-2010-0089005 A	11.08.2010
		KR 10-2011-0093993 A	19.08.2011
		KR 10-2011-0094076 A	19.08.2011
		KR 10-2011-0102349 A	16.09.2011
		KR 10-2011-0103982 A	21.09.2011
		KR 10-2011-0110153 A	06.10.2011
		KR 10-2011-0112806 A	13.10.2011
		KR 10-2011-0112807 A	13.10.2011
		KR 10-2011-0114563 A	19.10.2011
		KR 10-2011-0116124 A	25.10.2011
		KR 10-2012-0027109 A	21.03.2012
		US 7646828 B2	12.01.2010

INTERNATIONAL SEARCH REPORT
Information on patent family members

International application No.

PCT/KR2012/004779

Patent document cited in search report	Publication date	Patent family member	Publication date
		US 7705920 B2	27.04.2010
		US 7733819 B2	08.06.2010
		US 7777817 B2	17.08.2010
		US 7782808 B2	24.08.2010
		US 7801181 B2	21.09.2010
		US 7881259 B2	01.02.2011
		US 7889695 B2	15.02.2011
		US 7912006 B2	22.03.2011
		US 7933232 B2	26.04.2011
		US 7936786 B2	03.05.2011
		US 7948943 B2	24.05.2011
		US 7953157 B2	31.05.2011
		US 7965778 B2	21.06.2011
		US 7975281 B2	05.07.2011
		US 7979883 B2	12.07.2011
		US 7982808 B2	19.07.2011
		US 7986715 B2	26.07.2011
		US 7995511 B2	09.08.2011
		US 8001572 B2	16.08.2011
		US 8005167 B2	23.08.2011
		US 8006271 B2	23.08.2011
		US 8014332 B2	06.09.2011
		US 8014333 B2	06.09.2011
		US 8018886 B2	13.09.2011
		US 8018887 B2	13.09.2011
		US 8023525 B2	20.09.2011
		US 8051451 B2	01.11.2011
		US 8054906 B2	08.11.2011
		US 8059210 B2	15.11.2011
		US 8059627 B2	15.11.2011
		US 8068509 B2	29.11.2011
KR 10-2009-0127826 A	14.12.2009	CA 2656446 A1	03.01.2008
		CA 2688380 A1	31.12.2008
		CA 2688380 C	20.09.2011
		CA 2688391 A1	31.12.2008
		CA 2689103 A1	31.12.2008
		CA 2689415 A1	31.12.2008
		CA 2692025 A1	31.12.2008
		CA 2692025 C	08.05.2012
		CA 2693358 A1	29.01.2009
		CA 2693363 A1	26.03.2009
		CA 2694078 A1	05.02.2009
		CA 2694704 A1	05.03.2009
		CA 2695142 A1	05.03.2009
		CA 2695548 A1	05.03.2009
		CA 2696721 A1	05.03.2009
		CA 2696721 C	24.07.2012
		CA 2696726 A1	05.03.2009
		CA 2697453 A1	05.03.2009

INTERNATIONAL SEARCH REPORT
Information on patent family members

International application No.

PCT/KR2012/004779

Patent document cited in search report	Publication date	Patent family member	Publication date
		CA 2697459 A1	05.03.2009
		CA 2697468 A1	05.03.2009
		CA 2697481 A1	05.03.2009
		CA 2697483 A1	05.03.2009
		CA 2697485 A1	05.03.2009
		CA 2697486 A1	05.03.2009
		CA 2698298 A1	26.03.2009
		CA 2699839 A1	26.03.2009
		CA 2700260 A1	26.03.2009
		CA 2700266 A1	26.03.2009
		CA 2721151 A1	22.10.2009
		CA 2725288 A1	17.12.2009
		CA 2726831 A1	17.12.2009
		CA 2726835 A1	17.12.2009
		CA 2739885 A1	27.05.2010
		CA 2743997 A1	27.05.2010
		CA 2744183 A1	27.05.2010
		CA 2746186 A1	17.06.2010
		CA 2746732 A1	05.08.2010
		CA 2746735 A1	05.08.2010
		CA 2746737 A1	05.08.2010
		CN 101690197 A	31.03.2010
		CN 101690198 A	31.03.2010
		CN 101690198 A	31.03.2010
		CN 101690201 A	31.03.2010
		CN 101766025 A	30.06.2010
		CN 101766025 B	03.08.2011
		CN 101766026 A	30.06.2010
		CN 101779390 A	14.07.2010
		CN 101785301 A	21.07.2010
		CN 101785302 A	21.07.2010
		CN 101785303 A	21.07.2010
		CN 101785303 B	21.12.2011
		CN 101785304 A	21.07.2010
		CN 101790883 A	28.07.2010
		CN 101790884 A	28.07.2010
		CN 101790885 A	28.07.2010
		CN 101790885 B	28.12.2011
		CN 101796832 A	04.08.2010
		CN 101796833 A	04.08.2010
		CN 101796834 A	04.08.2010
		CN 101796835 A	04.08.2010
		CN 101809997 A	18.08.2010
		CN 101836444 A	15.09.2010
		CN 101836445 A	15.09.2010
		CN 101836446 A	15.09.2010
		CN 101836447 A	15.09.2010
		CN 101836448 A	15.09.2010
		CN 101836448 A	15.09.2010
		CN 101836449 A	15.09.2010

INTERNATIONAL SEARCH REPORT
Information on patent family members

International application No.

PCT/KR2012/004779

Patent document cited in search report	Publication date	Patent family member	Publication date
		CN 101836450 A	15.09.2010
		CN 101836452 A	15.09.2010
		CN 101861731 A	13.10.2010
		CN 101861731 A	13.10.2010
		CN 101868971 A	20.10.2010
		CN 101868971 A	20.10.2010
		CN 101868972 A	20.10.2010
		CN 101868972 A	20.10.2010
		CN 102301701 A	28.12.2011
		CN 102301702 A	28.12.2011
		CN 102301703 A	28.12.2011
		EP 2036059 A1	18.03.2009
		EP 2172014 A1	07.04.2010
		EP 2172015 A1	07.04.2010
		EP 2191644 A2	02.06.2010
		KR 10-0902903 B1	15.06.2009
		KR 10-0902904 B1	16.06.2009
		KR 10-0902905 B1	15.06.2009
		KR 10-0902906 B1	15.06.2009
		KR 10-0904432 B1	24.06.2009
		KR 10-0904434 B1	26.06.2009
		KR 10-0904447 B1	26.06.2009
		KR 10-0908060 B1	15.07.2009
		KR 10-0908061 B1	15.07.2009
		KR 10-0913108 B1	21.08.2009
		KR 10-0913109 B1	21.08.2009
		KR 10-0917204 B1	15.09.2009
		KR 10-0917211 B1	15.09.2009
		KR 10-0917212 B1	15.09.2009
		KR 10-0917830 B1	18.09.2009
		KR 10-0917831 B1	18.09.2009
		KR 10-0921474 B1	13.10.2009
		KR 10-0925447 B1	06.11.2009
		KR 10-0932491 B1	17.12.2009
		KR 10-1008652 B1	17.01.2011
		KR 10-2008-0114569 A	31.12.2008
		KR 10-2008-0114570 A	31.12.2008
		KR 10-2008-0114592 A	31.12.2008
		KR 10-2008-0114594 A	31.12.2008
		KR 10-2008-0114595 A	31.12.2008
		KR 10-2008-0114596 A	31.12.2008
		KR 10-2009-0001359 A	08.01.2009
		KR 10-2009-0001402 A	08.01.2009
		KR 10-2009-0001403 A	08.01.2009
		KR 10-2009-0002855 A	09.01.2009
		KR 10-2009-0003105 A	09.01.2009
		KR 10-2009-0004059 A	12.01.2009
		KR 10-2009-0004060 A	12.01.2009
		KR 10-2009-0004267 A	12.01.2009
		KR 10-2009-0004579 A	12.01.2009

INTERNATIONAL SEARCH REPORT
Information on patent family members

International application No.

PCT/KR2012/004779

Patent document cited in search report	Publication date	Patent family member	Publication date
		KR 10-2009-0004580 A	12.01.2009
		KR 10-2009-0004581 A	12.01.2009
		KR 10-2009-0004582 A	12.01.2009
		KR 10-2009-0004653 A	12.01.2009
		KR 10-2009-0004658 A	12.01.2009
		KR 10-2009-0004659 A	12.01.2009
		KR 10-2009-0004660 A	12.01.2009
		KR 10-2009-0004661 A	12.01.2009
		KR 10-2009-0004663 A	12.01.2009
		KR 10-2009-0004664 A	12.01.2009
		KR 10-2009-0004665 A	12.01.2009
		KR 10-2009-0004666 A	12.01.2009
		KR 10-2009-0004667 A	12.01.2009
		KR 10-2009-0004722 A	12.01.2009
		KR 10-2009-0004724 A	12.01.2009
		KR 10-2009-0004725 A	12.01.2009
		KR 10-2009-0004773 A	12.01.2009
		KR 10-2009-0010913 A	30.01.2009
		KR 10-2009-0010927 A	30.01.2009
		KR 10-2009-0012111 A	02.02.2009
		KR 10-2009-0012133 A	02.02.2009
		KR 10-2009-0012180 A	02.02.2009
		KR 10-2009-0012292 A	03.02.2009
		KR 10-2009-0021101 A	27.02.2009
		KR 10-2009-0021102 A	27.02.2009
		KR 10-2009-0021104 A	27.02.2009
		KR 10-2009-0021106 A	27.02.2009
		KR 10-2009-0021108 A	27.02.2009
		KR 10-2009-0021109 A	27.02.2009
		KR 10-2009-0021110 A	27.02.2009
		KR 10-2009-0021111 A	27.02.2009
		KR 10-2009-0021112 A	27.02.2009
		KR 10-2009-0021113 A	27.02.2009
		KR 10-2009-0021114 A	27.02.2009
		KR 10-2009-0021115 A	27.02.2009
		KR 10-2009-0021116 A	27.02.2009
		KR 10-2009-0021119 A	27.02.2009
		KR 10-2009-0021120 A	27.02.2009
		KR 10-2009-0021121 A	27.02.2009
		KR 10-2009-0021122 A	27.02.2009
		KR 10-2009-0021123 A	27.02.2009
		KR 10-2009-0021124 A	27.02.2009
		KR 10-2009-0021125 A	27.02.2009
		KR 10-2009-0021126 A	27.02.2009
		KR 10-2009-0021127 A	27.02.2009
		KR 10-2009-0021129 A	27.02.2009
		KR 10-2009-0021130 A	27.02.2009
		KR 10-2009-0021131 A	27.02.2009
		KR 10-2009-0031266 A	25.03.2009
		KR 10-2009-0031267 A	25.03.2009

INTERNATIONAL SEARCH REPORT
Information on patent family members

International application No.

PCT/KR2012/004779

Patent document cited in search report	Publication date	Patent family member	Publication date
		KR 10-2009-0031308 A	25.03.2009
		KR 10-2009-0031312 A	25.03.2009
		KR 10-2009-0031313 A	25.03.2009
		KR 10-2009-0031318 A	25.03.2009
		KR 10-2009-0031319 A	25.03.2009
		KR 10-2009-0031320 A	25.03.2009
		KR 10-2009-0031322 A	25.03.2009
		KR 10-2009-0031323 A	25.03.2009
		KR 10-2009-0031324 A	25.03.2009
		KR 10-2009-0031326 A	25.03.2009
		KR 10-2009-0031328 A	25.03.2009
		KR 10-2009-0031329 A	25.03.2009
		KR 10-2009-0108677 A	16.10.2009
		KR 10-2009-0127839 A	14.12.2009
		KR 10-2009-0127840 A	14.12.2009
		KR 10-2009-0131663 A	29.12.2009
		KR 10-2010-0006134 A	18.01.2010
		KR 10-2010-0089003 A	11.08.2010
		KR 10-2010-0089004 A	11.08.2010
		KR 10-2010-0089005 A	11.08.2010
		KR 10-2011-0093993 A	19.08.2011
		KR 10-2011-0094076 A	19.08.2011
		KR 10-2011-0102349 A	16.09.2011
		KR 10-2011-0103982 A	21.09.2011
		KR 10-2011-0110153 A	06.10.2011
		KR 10-2011-0112806 A	13.10.2011
		KR 10-2011-0112807 A	13.10.2011
		KR 10-2011-0114563 A	19.10.2011
		KR 10-2011-0116124 A	25.10.2011
		KR 10-2012-0027109 A	21.03.2012
		US 7646828 B2	12.01.2010
		US 7705920 B2	27.04.2010
		US 7733819 B2	08.06.2010
		US 7777817 B2	17.08.2010
		US 7782808 B2	24.08.2010
		US 7801181 B2	21.09.2010
		US 7881259 B2	01.02.2011
		US 7889695 B2	15.02.2011
		US 7912006 B2	22.03.2011
		US 7933232 B2	26.04.2011
		US 7936786 B2	03.05.2011
		US 7948943 B2	24.05.2011
		US 7953157 B2	31.05.2011
		US 7965778 B2	21.06.2011
		US 7975281 B2	05.07.2011
		US 7979883 B2	12.07.2011
		US 7982808 B2	19.07.2011
		US 7986715 B2	26.07.2011
		US 7995511 B2	09.08.2011
		US 8001572 B2	16.08.2011

INTERNATIONAL SEARCH REPORT
Information on patent family members

International application No.

PCT/KR2012/004779

Patent document cited in search report	Publication date	Patent family member	Publication date
		US 8005167 B2	23.08.2011
		US 8006271 B2	23.08.2011
		US 8014332 B2	06.09.2011
		US 8014333 B2	06.09.2011
		US 8018886 B2	13.09.2011
		US 8018887 B2	13.09.2011
		US 8023525 B2	20.09.2011
		US 8051451 B2	01.11.2011
		US 8054906 B2	08.11.2011
		US 8059210 B2	15.11.2011
		US 8059627 B2	15.11.2011
		US 8068509 B2	29.11.2011
JP 2008-118654 A	22.05.2008	CN 101237539 A	06.08.2008
		EP 1919206 A2	07.05.2008
		EP 1919206 A3	10.08.2011
		GB 0621775 D0	13.12.2006
		US 2008-0101760 A1	01.05.2008

A. 발명이 속하는 기술분류(국제특허분류(IPC))

H04N 7/08(2006.01)i, H04N 7/173(2011.01)i

B. 조사된 분야

조사된 최소문헌(국제특허분류를 기재)
H04N 7/08; H04N 7/015; H04N 5/91; H04N 5/76; H04N 7/00; H04N 21/43

조사된 기술분야에 속하는 최소문헌 이외의 문헌
한국등록실용신안공보 및 한국공개실용신안공보: 조사된 최소문헌란에 기재된 IPC
일본등록실용신안공보 및 일본공개실용신안공보: 조사된 최소문헌란에 기재된 IPC

국제조사에 이용된 전산 데이터베이스(데이터베이스의 명칭 및 검색어(해당하는 경우))
eKOMPASS(특허청 내부 검색시스템) & 키워드: broadcasting service, trigger, object, real-time, nonreal-time, signalling, stream

C. 관련 문헌

카테고리*	인용문헌명 및 관련 구절(해당하는 경우)의 기재	관련 청구항
A	KR 10-2009-0021111 A (엘지전자 주식회사) 2009.02.27 요약; 청구항 1-7; 도면 34 참조	1-20
A	KR 10-2009-0127826 A (엘지전자 주식회사) 2009.12.14 요약; 청구항 1-2; 도면 1,9 참조	1-20
A	JP 2008-118654 A (SONY UNITED KINGDOM LTD) 2008.05.22 요약; 청구항 1-2; 도면 1 참조	1-20

추가 문헌이 C(계속)에 기재되어 있습니다. 대응특허에 관한 별지를 참조하십시오.

* 인용된 문헌의 특별 카테고리:
 “A” 특별히 관련이 없는 것으로 보이는 일반적인 기술수준을 정의한 문헌
 “E” 국제출원일보다 빠른 출원일 또는 우선일을 가지나 국제출원일 이후에 공개된 선출원 또는 특허 문헌
 “L” 우선권 주장에 의문을 제기하는 문헌 또는 다른 인용문헌의 공개일 또는 다른 특별한 이유(이유를 명시)를 밝히기 위하여 인용된 문헌
 “O” 구두 개시, 사용, 전시 또는 기타 수단을 언급하고 있는 문헌
 “P” 우선일 이후에 공개되었으나 국제출원일 이전에 공개된 문헌
 “T” 국제출원일 또는 우선일 후에 공개된 문헌으로, 출원과 상충하지 않으며 발명의 기초가 되는 원리나 이론을 이해하기 위해 인용된 문헌
 “X” 특별한 관련이 있는 문헌. 해당 문헌 하나만으로 청구된 발명의 신규성 또는 진보성이 없는 것으로 본다.
 “Y” 특별한 관련이 있는 문헌. 해당 문헌이 하나 이상의 다른 문헌과 조합하는 경우로 그 조합이 당업자에게 자명한 경우 청구된 발명은 진보성이 없는 것으로 본다.
 “&” 동일한 대응특허문헌에 속하는 문헌

국제조사의 실제 완료일 2012년 12월 06일 (06.12.2012)	국제조사보고서 발송일 2012년 12월 10일 (10.12.2012)
--	--

ISA/KR의 명칭 및 우편주소 대한민국 특허청 (302-701) 대전광역시 서구 청사로 189, 4동 (둔산동, 정부대전청사) 팩스 번호 82-42-472-7140	심사관 남옥우 전화번호 82-42-481-5713
--	-----------------------------------



국제조사보고서에서 인용된 특허문헌	공개일	대응특허문헌	공개일
KR 10-2009-0021111 A	2009.02.27	CA 2656446 A1	2008.01.03
		CA 2688380 A1	2008.12.31
		CA 2688380 C	2011.09.20
		CA 2688391 A1	2008.12.31
		CA 2689103 A1	2008.12.31
		CA 2689415 A1	2008.12.31
		CA 2692025 A1	2008.12.31
		CA 2692025 C	2012.05.08
		CA 2693358 A1	2009.01.29
		CA 2693363 A1	2009.03.26
		CA 2694078 A1	2009.02.05
		CA 2694704 A1	2009.03.05
		CA 2695142 A1	2009.03.05
		CA 2695548 A1	2009.03.05
		CA 2696721 A1	2009.03.05
		CA 2696721 C	2012.07.24
		CA 2696726 A1	2009.03.05
		CA 2697453 A1	2009.03.05
		CA 2697459 A1	2009.03.05
		CA 2697468 A1	2009.03.05
		CA 2697481 A1	2009.03.05
		CA 2697483 A1	2009.03.05
		CA 2697485 A1	2009.03.05
		CA 2697486 A1	2009.03.05
		CA 2698298 A1	2009.03.26
		CA 2699839 A1	2009.03.26
		CA 2700260 A1	2009.03.26
		CA 2700266 A1	2009.03.26
		CA 2721151 A1	2009.10.22
		CA 2725288 A1	2009.12.17
		CA 2726831 A1	2009.12.17
		CA 2726835 A1	2009.12.17
		CA 2739885 A1	2010.05.27
		CA 2743997 A1	2010.05.27
		CA 2744183 A1	2010.05.27
		CA 2746186 A1	2010.06.17
		CA 2746732 A1	2010.08.05
		CA 2746735 A1	2010.08.05
		CA 2746737 A1	2010.08.05
		CN 101690197 A	2010.03.31
		CN 101690198 A	2010.03.31
		CN 101690198 A	2010.03.31
		CN 101690201 A	2010.03.31
		CN 101766025 A	2010.06.30
		CN 101766025 B	2011.08.03
		CN 101766026 A	2010.06.30
		CN 101779390 A	2010.07.14
		CN 101785301 A	2010.07.21
		CN 101785302 A	2010.07.21

국제조사보고서에서 인용된 특허문헌	공개일	대응특허문헌	공개일
		CN 101785303 A	2010.07.21
		CN 101785303 B	2011.12.21
		CN 101785304 A	2010.07.21
		CN 101790883 A	2010.07.28
		CN 101790884 A	2010.07.28
		CN 101790885 A	2010.07.28
		CN 101790885 B	2011.12.28
		CN 101796832 A	2010.08.04
		CN 101796833 A	2010.08.04
		CN 101796834 A	2010.08.04
		CN 101796835 A	2010.08.04
		CN 101809997 A	2010.08.18
		CN 101836444 A	2010.09.15
		CN 101836445 A	2010.09.15
		CN 101836446 A	2010.09.15
		CN 101836447 A	2010.09.15
		CN 101836448 A	2010.09.15
		CN 101836448 A	2010.09.15
		CN 101836449 A	2010.09.15
		CN 101836450 A	2010.09.15
		CN 101836452 A	2010.09.15
		CN 101861731 A	2010.10.13
		CN 101861731 A	2010.10.13
		CN 101868971 A	2010.10.20
		CN 101868971 A	2010.10.20
		CN 101868972 A	2010.10.20
		CN 101868972 A	2010.10.20
		CN 102301701 A	2011.12.28
		CN 102301702 A	2011.12.28
		CN 102301703 A	2011.12.28
		EP 2036059 A1	2009.03.18
		EP 2172014 A1	2010.04.07
		EP 2172015 A1	2010.04.07
		EP 2191644 A2	2010.06.02
		KR 10-0902903 B1	2009.06.15
		KR 10-0902904 B1	2009.06.16
		KR 10-0902905 B1	2009.06.15
		KR 10-0902906 B1	2009.06.15
		KR 10-0904432 B1	2009.06.24
		KR 10-0904434 B1	2009.06.26
		KR 10-0904447 B1	2009.06.26
		KR 10-0908060 B1	2009.07.15
		KR 10-0908061 B1	2009.07.15
		KR 10-0913108 B1	2009.08.21
		KR 10-0913109 B1	2009.08.21
		KR 10-0917204 B1	2009.09.15
		KR 10-0917211 B1	2009.09.15
		KR 10-0917212 B1	2009.09.15
		KR 10-0917830 B1	2009.09.18
		KR 10-0917831 B1	2009.09.18

국제조사보고서에서 인용된 특허문헌	공개일	대응특허문헌	공개일
		KR 10-0921474 B1	2009. 10. 13
		KR 10-0925447 B1	2009. 11. 06
		KR 10-0932491 B1	2009. 12. 17
		KR 10-1008652 B1	2011. 01. 17
		KR 10-2008-0114569 A	2008. 12. 31
		KR 10-2008-0114570 A	2008. 12. 31
		KR 10-2008-0114592 A	2008. 12. 31
		KR 10-2008-0114594 A	2008. 12. 31
		KR 10-2008-0114595 A	2008. 12. 31
		KR 10-2008-0114596 A	2008. 12. 31
		KR 10-2009-0001359 A	2009. 01. 08
		KR 10-2009-0001402 A	2009. 01. 08
		KR 10-2009-0001403 A	2009. 01. 08
		KR 10-2009-0002855 A	2009. 01. 09
		KR 10-2009-0003105 A	2009. 01. 09
		KR 10-2009-0004059 A	2009. 01. 12
		KR 10-2009-0004060 A	2009. 01. 12
		KR 10-2009-0004267 A	2009. 01. 12
		KR 10-2009-0004579 A	2009. 01. 12
		KR 10-2009-0004580 A	2009. 01. 12
		KR 10-2009-0004581 A	2009. 01. 12
		KR 10-2009-0004582 A	2009. 01. 12
		KR 10-2009-0004653 A	2009. 01. 12
		KR 10-2009-0004658 A	2009. 01. 12
		KR 10-2009-0004659 A	2009. 01. 12
		KR 10-2009-0004660 A	2009. 01. 12
		KR 10-2009-0004661 A	2009. 01. 12
		KR 10-2009-0004663 A	2009. 01. 12
		KR 10-2009-0004664 A	2009. 01. 12
		KR 10-2009-0004665 A	2009. 01. 12
		KR 10-2009-0004666 A	2009. 01. 12
		KR 10-2009-0004667 A	2009. 01. 12
		KR 10-2009-0004722 A	2009. 01. 12
		KR 10-2009-0004724 A	2009. 01. 12
		KR 10-2009-0004725 A	2009. 01. 12
		KR 10-2009-0004773 A	2009. 01. 12
		KR 10-2009-0010913 A	2009. 01. 30
		KR 10-2009-0010927 A	2009. 01. 30
		KR 10-2009-0012111 A	2009. 02. 02
		KR 10-2009-0012133 A	2009. 02. 02
		KR 10-2009-0012180 A	2009. 02. 02
		KR 10-2009-0012292 A	2009. 02. 03
		KR 10-2009-0021101 A	2009. 02. 27
		KR 10-2009-0021102 A	2009. 02. 27
		KR 10-2009-0021104 A	2009. 02. 27
		KR 10-2009-0021106 A	2009. 02. 27
		KR 10-2009-0021108 A	2009. 02. 27
		KR 10-2009-0021109 A	2009. 02. 27
		KR 10-2009-0021110 A	2009. 02. 27
		KR 10-2009-0021112 A	2009. 02. 27

국제조사보고서에서 인용된 특허문헌	공개일	대응특허문헌	공개일
		KR 10-2009-0021113 A	2009.02.27
		KR 10-2009-0021114 A	2009.02.27
		KR 10-2009-0021115 A	2009.02.27
		KR 10-2009-0021116 A	2009.02.27
		KR 10-2009-0021119 A	2009.02.27
		KR 10-2009-0021120 A	2009.02.27
		KR 10-2009-0021121 A	2009.02.27
		KR 10-2009-0021122 A	2009.02.27
		KR 10-2009-0021123 A	2009.02.27
		KR 10-2009-0021124 A	2009.02.27
		KR 10-2009-0021125 A	2009.02.27
		KR 10-2009-0021126 A	2009.02.27
		KR 10-2009-0021127 A	2009.02.27
		KR 10-2009-0021129 A	2009.02.27
		KR 10-2009-0021130 A	2009.02.27
		KR 10-2009-0021131 A	2009.02.27
		KR 10-2009-0031266 A	2009.03.25
		KR 10-2009-0031267 A	2009.03.25
		KR 10-2009-0031308 A	2009.03.25
		KR 10-2009-0031312 A	2009.03.25
		KR 10-2009-0031313 A	2009.03.25
		KR 10-2009-0031318 A	2009.03.25
		KR 10-2009-0031319 A	2009.03.25
		KR 10-2009-0031320 A	2009.03.25
		KR 10-2009-0031322 A	2009.03.25
		KR 10-2009-0031323 A	2009.03.25
		KR 10-2009-0031324 A	2009.03.25
		KR 10-2009-0031326 A	2009.03.25
		KR 10-2009-0031328 A	2009.03.25
		KR 10-2009-0031329 A	2009.03.25
		KR 10-2009-0108677 A	2009.10.16
		KR 10-2009-0127826 A	2009.12.14
		KR 10-2009-0127839 A	2009.12.14
		KR 10-2009-0127840 A	2009.12.14
		KR 10-2009-0131663 A	2009.12.29
		KR 10-2010-0006134 A	2010.01.18
		KR 10-2010-0089003 A	2010.08.11
		KR 10-2010-0089004 A	2010.08.11
		KR 10-2010-0089005 A	2010.08.11
		KR 10-2011-0093993 A	2011.08.19
		KR 10-2011-0094076 A	2011.08.19
		KR 10-2011-0102349 A	2011.09.16
		KR 10-2011-0103982 A	2011.09.21
		KR 10-2011-0110153 A	2011.10.06
		KR 10-2011-0112806 A	2011.10.13
		KR 10-2011-0112807 A	2011.10.13
		KR 10-2011-0114563 A	2011.10.19
		KR 10-2011-0116124 A	2011.10.25
		KR 10-2012-0027109 A	2012.03.21
		US 7646828 B2	2010.01.12

국제조사보고서에서 인용된 특허문헌	공개일	대응특허문헌	공개일
		US 7705920 B2	2010.04.27
		US 7733819 B2	2010.06.08
		US 7777817 B2	2010.08.17
		US 7782808 B2	2010.08.24
		US 7801181 B2	2010.09.21
		US 7881259 B2	2011.02.01
		US 7889695 B2	2011.02.15
		US 7912006 B2	2011.03.22
		US 7933232 B2	2011.04.26
		US 7936786 B2	2011.05.03
		US 7948943 B2	2011.05.24
		US 7953157 B2	2011.05.31
		US 7965778 B2	2011.06.21
		US 7975281 B2	2011.07.05
		US 7979883 B2	2011.07.12
		US 7982808 B2	2011.07.19
		US 7986715 B2	2011.07.26
		US 7995511 B2	2011.08.09
		US 8001572 B2	2011.08.16
		US 8005167 B2	2011.08.23
		US 8006271 B2	2011.08.23
		US 8014332 B2	2011.09.06
		US 8014333 B2	2011.09.06
		US 8018886 B2	2011.09.13
		US 8018887 B2	2011.09.13
		US 8023525 B2	2011.09.20
		US 8051451 B2	2011.11.01
		US 8054906 B2	2011.11.08
		US 8059210 B2	2011.11.15
		US 8059627 B2	2011.11.15
		US 8068509 B2	2011.11.29
KR 10-2009-0127826 A	2009.12.14	CA 2656446 A1	2008.01.03
		CA 2688380 A1	2008.12.31
		CA 2688380 C	2011.09.20
		CA 2688391 A1	2008.12.31
		CA 2689103 A1	2008.12.31
		CA 2689415 A1	2008.12.31
		CA 2692025 A1	2008.12.31
		CA 2692025 C	2012.05.08
		CA 2693358 A1	2009.01.29
		CA 2693363 A1	2009.03.26
		CA 2694078 A1	2009.02.05
		CA 2694704 A1	2009.03.05
		CA 2695142 A1	2009.03.05
		CA 2695548 A1	2009.03.05
		CA 2696721 A1	2009.03.05
		CA 2696721 C	2012.07.24
		CA 2696726 A1	2009.03.05
		CA 2697453 A1	2009.03.05

국제조사보고서에서 인용된 특허문헌	공개일	대응특허문헌	공개일
		CA 2697459 A1	2009.03.05
		CA 2697468 A1	2009.03.05
		CA 2697481 A1	2009.03.05
		CA 2697483 A1	2009.03.05
		CA 2697485 A1	2009.03.05
		CA 2697486 A1	2009.03.05
		CA 2698298 A1	2009.03.26
		CA 2699839 A1	2009.03.26
		CA 2700260 A1	2009.03.26
		CA 2700266 A1	2009.03.26
		CA 2721151 A1	2009.10.22
		CA 2725288 A1	2009.12.17
		CA 2726831 A1	2009.12.17
		CA 2726835 A1	2009.12.17
		CA 2739885 A1	2010.05.27
		CA 2743997 A1	2010.05.27
		CA 2744183 A1	2010.05.27
		CA 2746186 A1	2010.06.17
		CA 2746732 A1	2010.08.05
		CA 2746735 A1	2010.08.05
		CA 2746737 A1	2010.08.05
		CN 101690197 A	2010.03.31
		CN 101690198 A	2010.03.31
		CN 101690198 A	2010.03.31
		CN 101690201 A	2010.03.31
		CN 101766025 A	2010.06.30
		CN 101766025 B	2011.08.03
		CN 101766026 A	2010.06.30
		CN 101779390 A	2010.07.14
		CN 101785301 A	2010.07.21
		CN 101785302 A	2010.07.21
		CN 101785303 A	2010.07.21
		CN 101785303 B	2011.12.21
		CN 101785304 A	2010.07.21
		CN 101790883 A	2010.07.28
		CN 101790884 A	2010.07.28
		CN 101790885 A	2010.07.28
		CN 101790885 B	2011.12.28
		CN 101796832 A	2010.08.04
		CN 101796833 A	2010.08.04
		CN 101796834 A	2010.08.04
		CN 101796835 A	2010.08.04
		CN 101809997 A	2010.08.18
		CN 101836444 A	2010.09.15
		CN 101836445 A	2010.09.15
		CN 101836446 A	2010.09.15
		CN 101836447 A	2010.09.15
		CN 101836448 A	2010.09.15
		CN 101836448 A	2010.09.15
		CN 101836449 A	2010.09.15

국제조사보고서에서 인용된 특허문헌	공개일	대응특허문헌	공개일
		CN 101836450 A	2010.09.15
		CN 101836452 A	2010.09.15
		CN 101861731 A	2010.10.13
		CN 101861731 A	2010.10.13
		CN 101868971 A	2010.10.20
		CN 101868971 A	2010.10.20
		CN 101868972 A	2010.10.20
		CN 101868972 A	2010.10.20
		CN 102301701 A	2011.12.28
		CN 102301702 A	2011.12.28
		CN 102301703 A	2011.12.28
		EP 2036059 A1	2009.03.18
		EP 2172014 A1	2010.04.07
		EP 2172015 A1	2010.04.07
		EP 2191644 A2	2010.06.02
		KR 10-0902903 B1	2009.06.15
		KR 10-0902904 B1	2009.06.16
		KR 10-0902905 B1	2009.06.15
		KR 10-0902906 B1	2009.06.15
		KR 10-0904432 B1	2009.06.24
		KR 10-0904434 B1	2009.06.26
		KR 10-0904447 B1	2009.06.26
		KR 10-0908060 B1	2009.07.15
		KR 10-0908061 B1	2009.07.15
		KR 10-0913108 B1	2009.08.21
		KR 10-0913109 B1	2009.08.21
		KR 10-0917204 B1	2009.09.15
		KR 10-0917211 B1	2009.09.15
		KR 10-0917212 B1	2009.09.15
		KR 10-0917830 B1	2009.09.18
		KR 10-0917831 B1	2009.09.18
		KR 10-0921474 B1	2009.10.13
		KR 10-0925447 B1	2009.11.06
		KR 10-0932491 B1	2009.12.17
		KR 10-1008652 B1	2011.01.17
		KR 10-2008-0114569 A	2008.12.31
		KR 10-2008-0114570 A	2008.12.31
		KR 10-2008-0114592 A	2008.12.31
		KR 10-2008-0114594 A	2008.12.31
		KR 10-2008-0114595 A	2008.12.31
		KR 10-2008-0114596 A	2008.12.31
		KR 10-2009-0001359 A	2009.01.08
		KR 10-2009-0001402 A	2009.01.08
		KR 10-2009-0001403 A	2009.01.08
		KR 10-2009-0002855 A	2009.01.09
		KR 10-2009-0003105 A	2009.01.09
		KR 10-2009-0004059 A	2009.01.12
		KR 10-2009-0004060 A	2009.01.12
		KR 10-2009-0004267 A	2009.01.12
		KR 10-2009-0004579 A	2009.01.12

국제조사보고서에서 인용된 특허문헌	공개일	대응특허문헌	공개일
		KR 10-2009-0004580 A	2009.01.12
		KR 10-2009-0004581 A	2009.01.12
		KR 10-2009-0004582 A	2009.01.12
		KR 10-2009-0004653 A	2009.01.12
		KR 10-2009-0004658 A	2009.01.12
		KR 10-2009-0004659 A	2009.01.12
		KR 10-2009-0004660 A	2009.01.12
		KR 10-2009-0004661 A	2009.01.12
		KR 10-2009-0004663 A	2009.01.12
		KR 10-2009-0004664 A	2009.01.12
		KR 10-2009-0004665 A	2009.01.12
		KR 10-2009-0004666 A	2009.01.12
		KR 10-2009-0004667 A	2009.01.12
		KR 10-2009-0004722 A	2009.01.12
		KR 10-2009-0004724 A	2009.01.12
		KR 10-2009-0004725 A	2009.01.12
		KR 10-2009-0004773 A	2009.01.12
		KR 10-2009-0010913 A	2009.01.30
		KR 10-2009-0010927 A	2009.01.30
		KR 10-2009-0012111 A	2009.02.02
		KR 10-2009-0012133 A	2009.02.02
		KR 10-2009-0012180 A	2009.02.02
		KR 10-2009-0012292 A	2009.02.03
		KR 10-2009-0021101 A	2009.02.27
		KR 10-2009-0021102 A	2009.02.27
		KR 10-2009-0021104 A	2009.02.27
		KR 10-2009-0021106 A	2009.02.27
		KR 10-2009-0021108 A	2009.02.27
		KR 10-2009-0021109 A	2009.02.27
		KR 10-2009-0021110 A	2009.02.27
		KR 10-2009-0021111 A	2009.02.27
		KR 10-2009-0021112 A	2009.02.27
		KR 10-2009-0021113 A	2009.02.27
		KR 10-2009-0021114 A	2009.02.27
		KR 10-2009-0021115 A	2009.02.27
		KR 10-2009-0021116 A	2009.02.27
		KR 10-2009-0021119 A	2009.02.27
		KR 10-2009-0021120 A	2009.02.27
		KR 10-2009-0021121 A	2009.02.27
		KR 10-2009-0021122 A	2009.02.27
		KR 10-2009-0021123 A	2009.02.27
		KR 10-2009-0021124 A	2009.02.27
		KR 10-2009-0021125 A	2009.02.27
		KR 10-2009-0021126 A	2009.02.27
		KR 10-2009-0021127 A	2009.02.27
		KR 10-2009-0021129 A	2009.02.27
		KR 10-2009-0021130 A	2009.02.27
		KR 10-2009-0021131 A	2009.02.27
		KR 10-2009-0031266 A	2009.03.25
		KR 10-2009-0031267 A	2009.03.25

국제조사보고서에서 인용된 특허문헌	공개일	대응특허문헌	공개일
		KR 10-2009-0031308 A	2009.03.25
		KR 10-2009-0031312 A	2009.03.25
		KR 10-2009-0031313 A	2009.03.25
		KR 10-2009-0031318 A	2009.03.25
		KR 10-2009-0031319 A	2009.03.25
		KR 10-2009-0031320 A	2009.03.25
		KR 10-2009-0031322 A	2009.03.25
		KR 10-2009-0031323 A	2009.03.25
		KR 10-2009-0031324 A	2009.03.25
		KR 10-2009-0031326 A	2009.03.25
		KR 10-2009-0031328 A	2009.03.25
		KR 10-2009-0031329 A	2009.03.25
		KR 10-2009-0108677 A	2009.10.16
		KR 10-2009-0127839 A	2009.12.14
		KR 10-2009-0127840 A	2009.12.14
		KR 10-2009-0131663 A	2009.12.29
		KR 10-2010-0006134 A	2010.01.18
		KR 10-2010-0089003 A	2010.08.11
		KR 10-2010-0089004 A	2010.08.11
		KR 10-2010-0089005 A	2010.08.11
		KR 10-2011-0093993 A	2011.08.19
		KR 10-2011-0094076 A	2011.08.19
		KR 10-2011-0102349 A	2011.09.16
		KR 10-2011-0103982 A	2011.09.21
		KR 10-2011-0110153 A	2011.10.06
		KR 10-2011-0112806 A	2011.10.13
		KR 10-2011-0112807 A	2011.10.13
		KR 10-2011-0114563 A	2011.10.19
		KR 10-2011-0116124 A	2011.10.25
		KR 10-2012-0027109 A	2012.03.21
		US 7646828 B2	2010.01.12
		US 7705920 B2	2010.04.27
		US 7733819 B2	2010.06.08
		US 7777817 B2	2010.08.17
		US 7782808 B2	2010.08.24
		US 7801181 B2	2010.09.21
		US 7881259 B2	2011.02.01
		US 7889695 B2	2011.02.15
		US 7912006 B2	2011.03.22
		US 7933232 B2	2011.04.26
		US 7936786 B2	2011.05.03
		US 7948943 B2	2011.05.24
		US 7953157 B2	2011.05.31
		US 7965778 B2	2011.06.21
		US 7975281 B2	2011.07.05
		US 7979883 B2	2011.07.12
		US 7982808 B2	2011.07.19
		US 7986715 B2	2011.07.26
		US 7995511 B2	2011.08.09
		US 8001572 B2	2011.08.16

국제조사보고서에서 인용된 특허문헌	공개일	대응특허문헌	공개일
		US 8005167 B2	2011.08.23
		US 8006271 B2	2011.08.23
		US 8014332 B2	2011.09.06
		US 8014333 B2	2011.09.06
		US 8018886 B2	2011.09.13
		US 8018887 B2	2011.09.13
		US 8023525 B2	2011.09.20
		US 8051451 B2	2011.11.01
		US 8054906 B2	2011.11.08
		US 8059210 B2	2011.11.15
		US 8059627 B2	2011.11.15
		US 8068509 B2	2011.11.29
JP 2008-118654 A	2008.05.22	CN 101237539 A	2008.08.06
		EP 1919206 A2	2008.05.07
		EP 1919206 A3	2011.08.10
		GB 0621775 D0	2006.12.13
		US 2008-0101760 A1	2008.05.01