

CORRECTED VERSION

(19) World Intellectual Property Organization International Bureau



(10) International Publication Number WO 2012/120488 A8

(43) International Publication Date 13 September 2012 (13.09.2012)

- (51) International Patent Classification: F16B 13/06 (2006.01)
- (21) International Application Number: PCT/IB2012/052268
- (22) International Filing Date: 7 May 2012 (07.05.2012)
- (25) Filing Language: English
- (26) Publication Language: English
- (30) Priority Data: 1151856 7 March 2011 (07.03.2011) FR
- (71) Applicant (for all designated States except US): SOCIETE DE PROSPECTION ET D'INVENTIONS TECHNIQUES SPIT [FR/FR]; 150 Route de Lyon, F-26500 Bourg Les Valence (FR).
- (72) Inventors; and
- (75) Inventors/Applicants (for US only): BERGEZ, Aurélie [FR/FR]; 29 rue Marius Villard, F-26000 Valence (FR). GAUTHIER, Alain [FR/FR]; 12 Passage de la Figuerie, F-07300 Saint-Jean-de-Muzols (FR). BARTHOMEUF, Jean-Paul [FR/FR]; 20 Avenue Dauphiné Provence, F-26300 Alixan (FR).
- (81) Designated States (unless otherwise indicated, for every kind of national protection available): AE, AG, AL, AM, AO, AT, AU, AZ, BA, BB, BG, BH, BR, BW, BY, BZ, CA, CH, CL, CN, CO, CR, CU, CZ, DE, DK, DM, DO,

DZ, EC, EE, EG, ES, FI, GB, GD, GE, GH, GM, GT, HN, HR, HU, ID, IL, IN, IS, JP, KE, KG, KM, KN, KP, KR, KZ, LA, LC, LK, LR, LS, LT, LU, LY, MA, MD, ME, MG, MK, MN, MW, MX, MY, MZ, NA, NG, NI, NO, NZ, OM, PE, PG, PH, PL, PT, QA, RO, RS, RU, RW, SC, SD, SE, SG, SK, SL, SM, ST, SV, SY, TH, TJ, TM, TN, TR, TT, TZ, UA, UG, US, UZ, VC, VN, ZA, ZM, ZW.

(84) Designated States (unless otherwise indicated, for every kind of regional protection available): ARIPO (BW, GH, GM, KE, LR, LS, MW, MZ, NA, RW, SD, SL, SZ, TZ, UG, ZM, ZW), Eurasian (AM, AZ, BY, KG, KZ, RU, TJ, TM), European (AL, AT, BE, BG, CH, CY, CZ, DE, DK, EE, ES, FI, FR, GB, GR, HR, HU, IE, IS, IT, LT, LU, LV, MC, MK, MT, NL, NO, PL, PT, RO, RS, SE, SI, SK, SM, TR), OAPI (BF, BJ, CF, CG, CI, CM, GA, GN, GQ, GW, ML, MR, NE, SN, TD, TG).

Published:

- with international search report (Art. 21(3))
- with information concerning request for restoration of the right of priority in respect of one or more priority claims (Rules 26bis.3 and 48.2(b)(vii))
- (48) Date of publication of this corrected version: 29 November 2012
- (15) Information about Correction: see Notice of 29 November 2012

(54) Title: EXPANSION BUSHING DOWEL

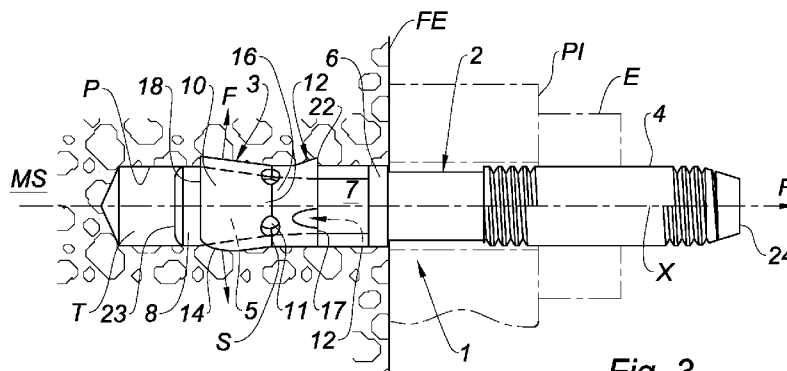


Fig. 3

(57) Abstract: The dowel (1) comprises: i) a stem (2) with, at one end, fastening means (4) and, at the other end, an expansion cone (5); and ii) an expansion bushing (3) mounted around a portion (7) of the stem (2) adjacent to the expansion cone (5) and through which the expansion cone is intended to be moved so as to anchor the dowel into an anchoring hole of a supporting material. According to the invention, the expansion bushing (3) is free of slits and drilled with expansion holes (11) along an opening area (16) of the bushing.

WO 2012/120488 A8