



US00D639800S

(12) **United States Design Patent**
Magruder

(10) **Patent No.:** **US D639,800 S**

(45) **Date of Patent:** **** Jun. 14, 2011**

(54) **FREE-STANDING KIOSK**

(76) Inventor: **David C. Magruder**, Tequesta, FL (US)

(**) Term: **14 Years**

(21) Appl. No.: **29/360,425**

(22) Filed: **Apr. 26, 2010**

(51) **LOC (9) Cl.** **14-02**

(52) **U.S. Cl.** **D14/307; D6/396**

(58) **Field of Classification Search** D14/302-307,
D14/129, 900-902; D13/163; D18/4.1-4.6;
D21/329, 332, 325, 369, 370; D99/28; 361/679.1,
361/679.02, 679.04, 679.21, 679.57, 724;
194/206; 235/379; 271/164; 705/43; D6/396,
D6/697, 402; D20/10, 19; D24/200, 209,
D24/185, 186
See application file for complete search history.

D479,858 S *	9/2003	Strunk et al.	D20/41
D501,557 S *	2/2005	Collins et al.	D24/186
D518,480 S *	4/2006	Zheng et al.	D14/307
D542,052 S *	5/2007	Scholen et al.	D6/396
D542,849 S *	5/2007	Hill et al.	D20/10
D565,044 S *	3/2008	Witts et al.	D14/307
D585,943 S *	2/2009	Pymm et al.	D20/10
D587,699 S *	3/2009	Corti et al.	D14/307
D587,700 S *	3/2009	Corti et al.	D14/307
D598,056 S *	8/2009	Labeledz et al.	D21/325
D608,775 S *	1/2010	Leung	D14/307
D615,661 S *	5/2010	Brunelle et al.	D24/200
D626,353 S *	11/2010	Magruder	D6/396

* cited by examiner

Primary Examiner — Cathron C Brooks

Assistant Examiner — Deanna Fluegeman

(74) *Attorney, Agent, or Firm* — McHale & Slavin, P.A.

(57) **CLAIM**

The ornamental design for a free-standing kiosk, as shown and described.

DESCRIPTION

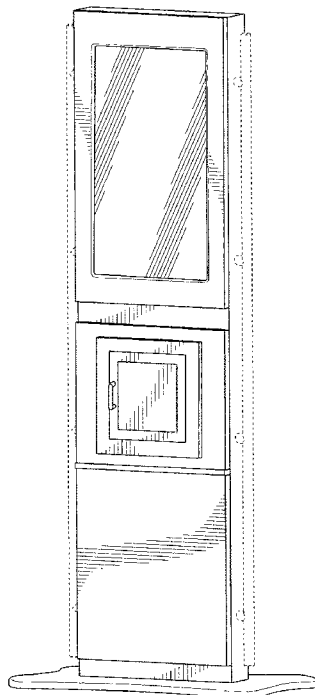
FIG. 1 is a front right perspective view of the free-standing kiosk of the instant invention;
FIG. 2 is a front view thereof;
FIG. 3 is a rear view thereof;
FIG. 4 is a right side view thereof, the left side view being a mirror image thereof; and,
FIG. 5 is a top view thereof.
The broken lines illustrate unclaimed portions of the free-standing kiosk and form no part of the claimed design.

1 Claim, 5 Drawing Sheets

(56) **References Cited**

U.S. PATENT DOCUMENTS

D377,784 S *	2/1997	Wilson	D14/302
D378,082 S *	2/1997	Wilson	D14/302
D378,534 S *	3/1997	Kato et al.	D20/10
D395,129 S *	6/1998	Johnson	D99/28
D395,677 S *	6/1998	Gongora et al.	D20/10
D398,653 S *	9/1998	Hiraguchi et al.	D20/10
D415,330 S *	10/1999	King	D99/28
D436,999 S *	1/2001	Cronley	D20/10
D452,712 S *	1/2002	Kim	D20/10
D453,754 S *	2/2002	Petersen	D14/307
D473,554 S *	4/2003	Landerholm et al.	D14/302



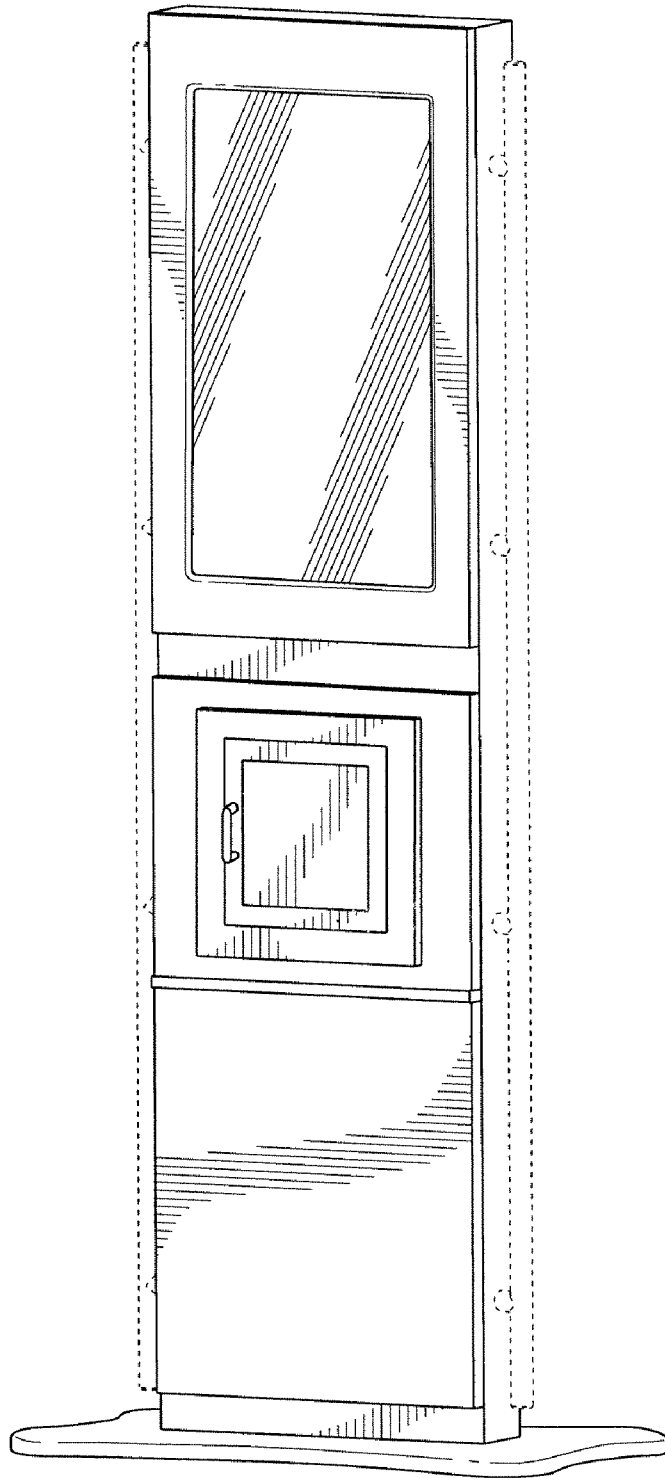


FIG. 1

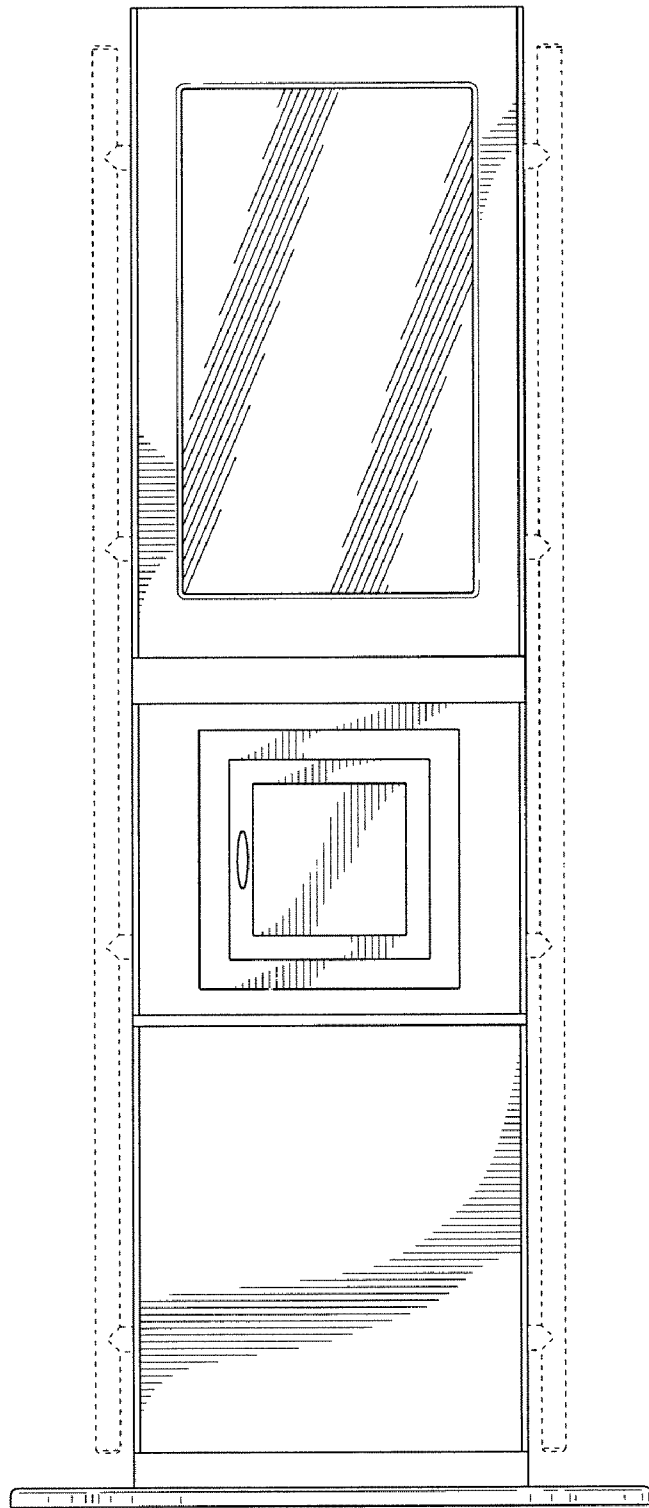


FIG. 2

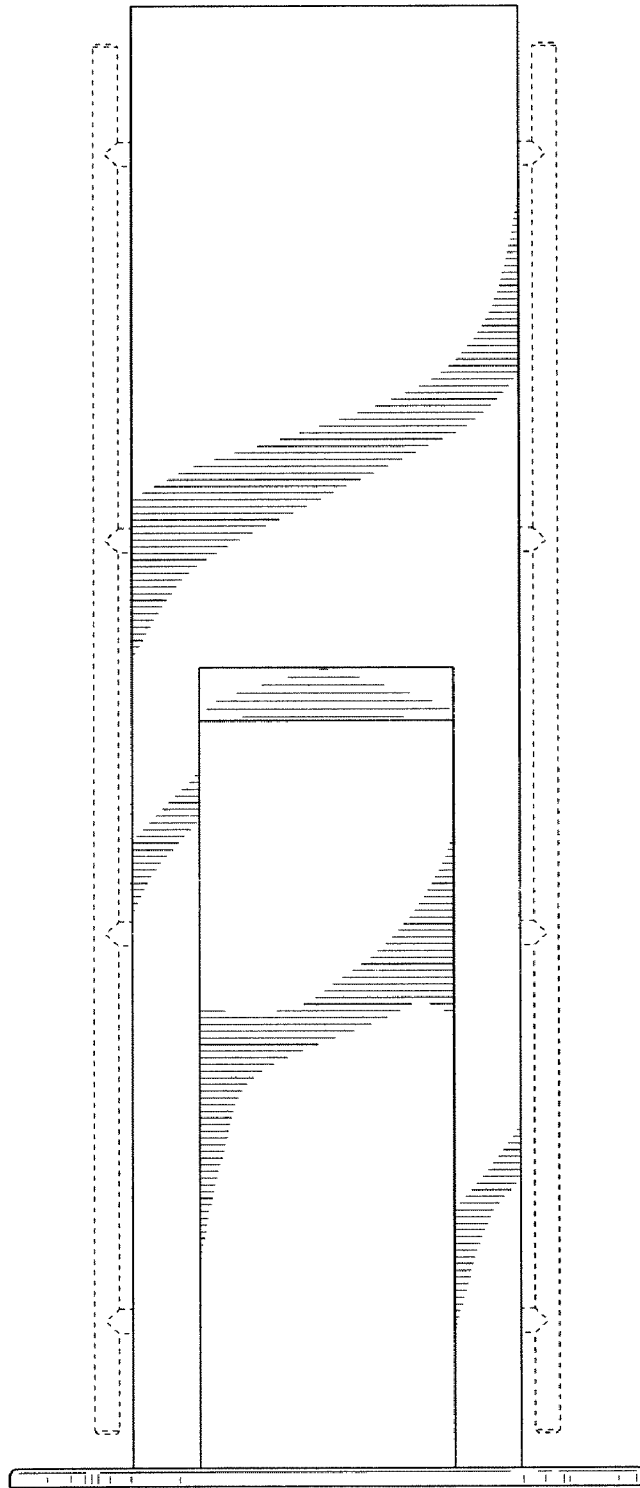


FIG. 3

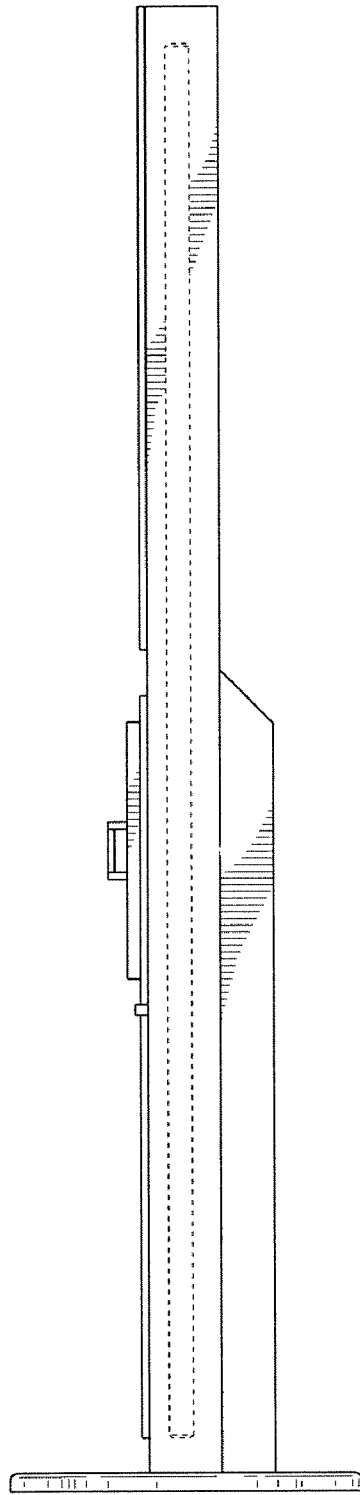


FIG. 4

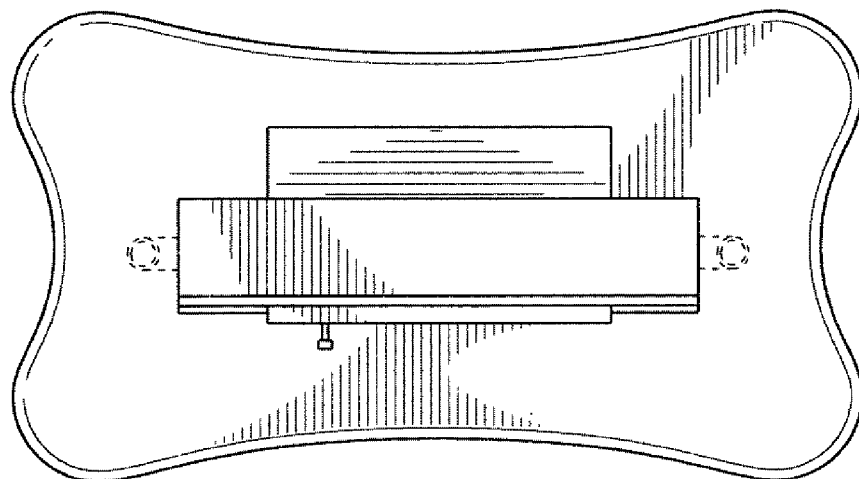


FIG. 5