

[54] COMBINED GUTTER, BRACKET AND SUPPORT

[75] Inventor: Arne Paulsson, Järnforsen, Sweden

[73] Assignee: AB Siba-Verken, Sweden

[**] Term: 14 Years

[21] Appl. No.: 930,851

[22] Filed: Nov. 13, 1986

[30] Foreign Application Priority Data

May 15, 1986 [DK] Denmark MA04761986

[52] U.S. Cl. D23/267; D8/380; D25/119

[58] Field of Search D23/267; 52/11, 12, 52/13, 14, 15, 16; D25/119; 248/48.1; D8/356, 323, 380, 381

[56] References Cited

U.S. PATENT DOCUMENTS

D. 217,247 4/1970 Brown D23/267
4,117,635 10/1978 Nelson 52/11

4,632,342 12/1986 Skinner 52/11 X

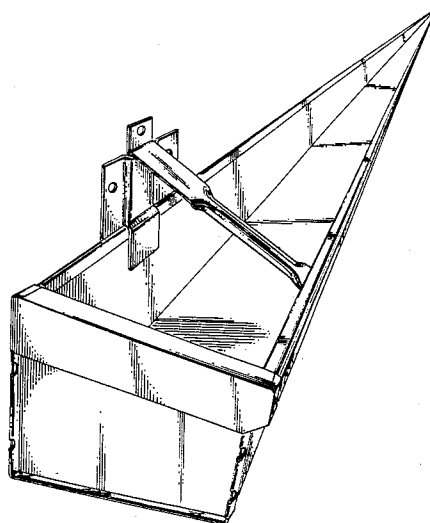
Primary Examiner—A. Hugo Word
Attorney, Agent, or Firm—Davis, Bujold & Streck

[57] CLAIM

The ornamental design for a combined gutter, bracket and support, as shown.

DESCRIPTION

FIG. 1 is a perspective view of a combined gutter, bracket and support showing my new design; FIG. 2 is a perspective view of the gutter section shown in FIG. 1; FIG. 3 is a perspective view of the bracket shown in FIG. 1; FIG. 4 is a perspective view of the support shown in FIG. 1; FIG. 5 is an end elevational view of the gutter section of FIG. 2; FIG. 6 is a rear elevational view thereof; FIG. 7 is a top plan view thereof; FIG. 8 is a front elevational view thereof; and FIG. 9 is a bottom plan view thereof.



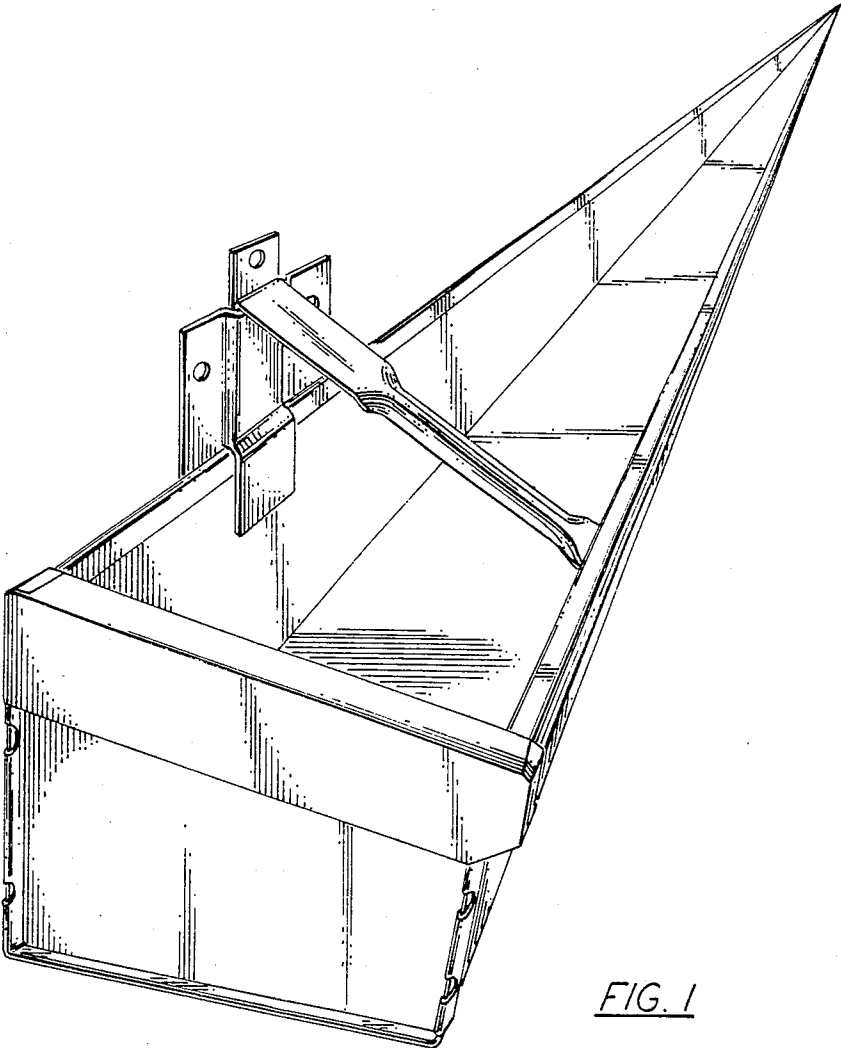


FIG. 1

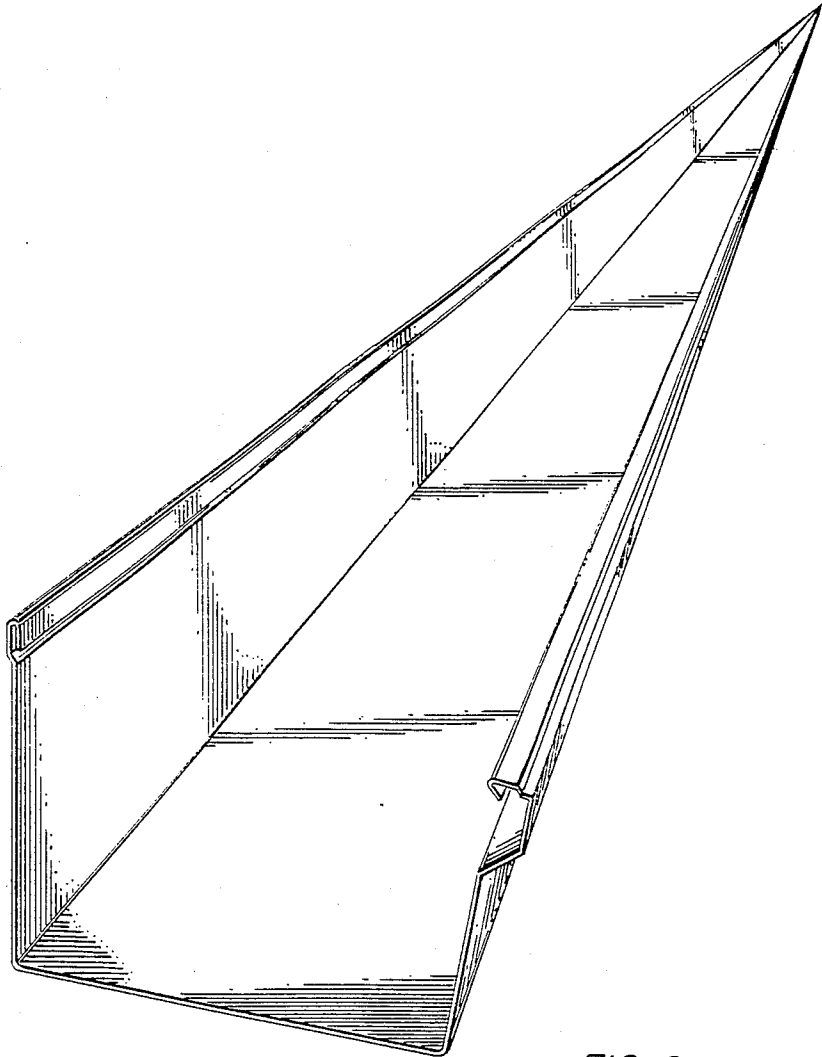


FIG. 2

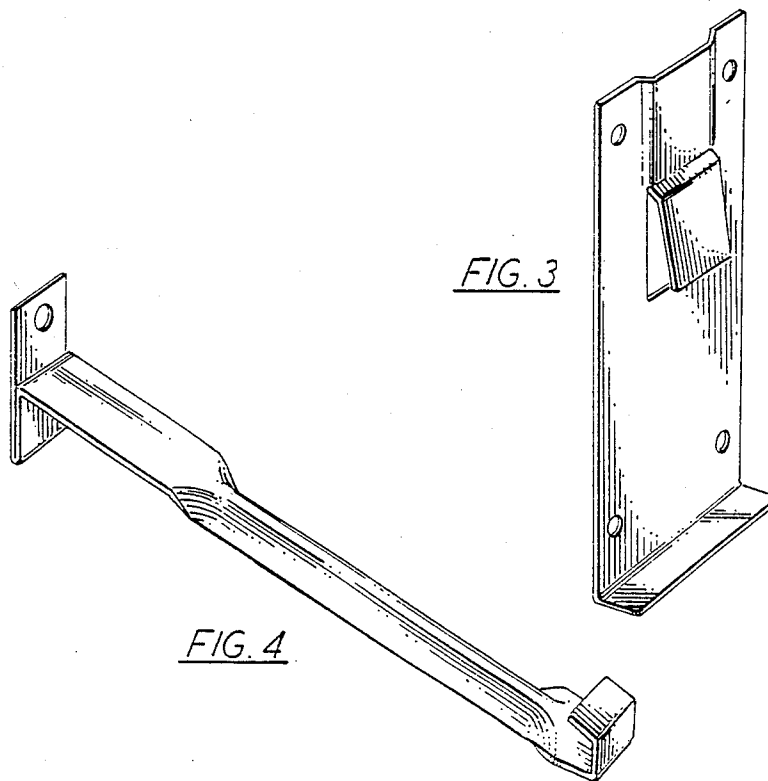


FIG. 4

FIG. 3

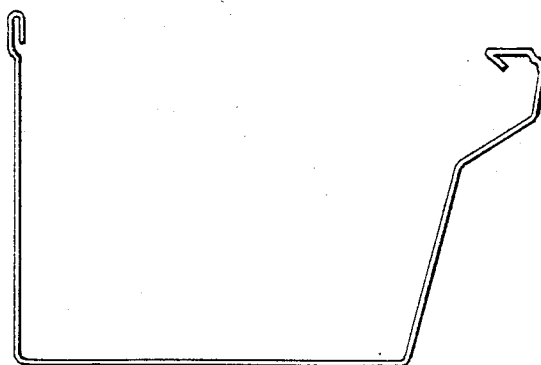


FIG. 5

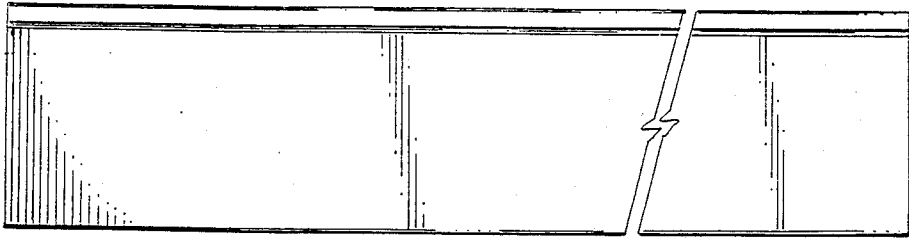


FIG. 6

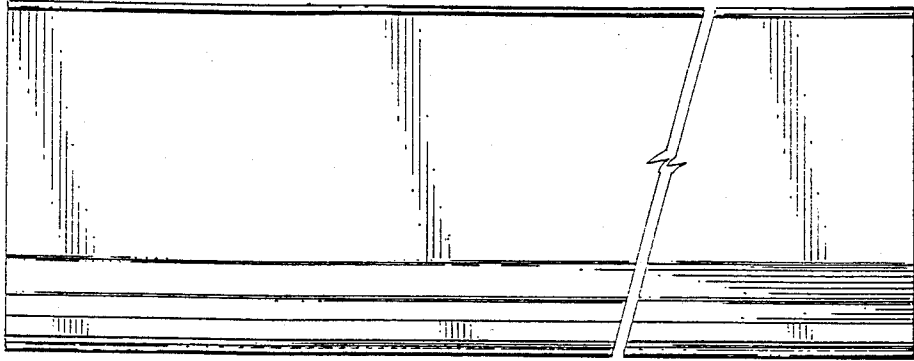


FIG. 7

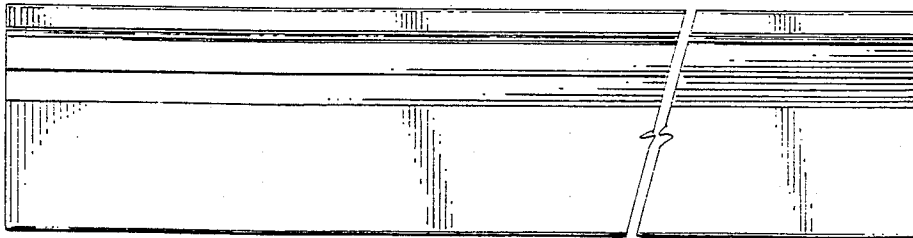


FIG. 8

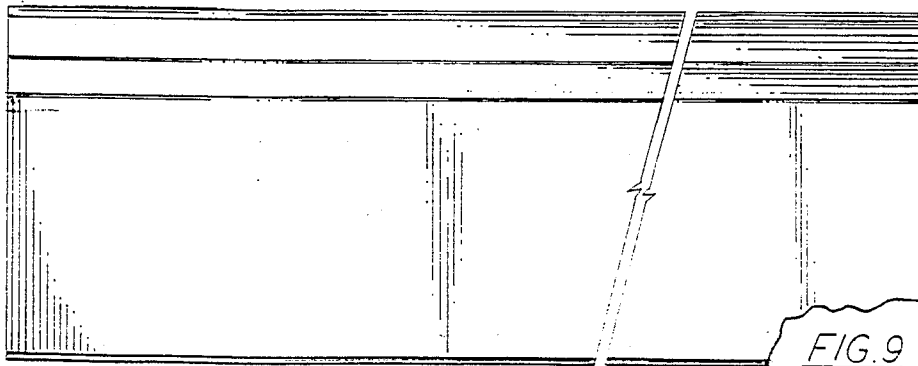


FIG. 9