



US00D843597S

(12) **United States Design Patent**
Kurz-Ottenwaelder et al.

(10) **Patent No.:** **US D843,597 S**
(45) **Date of Patent:** **** Mar. 19, 2019**

(54) **LABORATORY INSTRUMENT**
(71) Applicant: **Beckman Coulter, Inc.**, Brea, CA (US)
(72) Inventors: **Petra Kurz-Ottenwaelder**, Schwäbisch Gmünd (DE); **Max Ottenwaelder**, Schwäbisch Gmünd (DE)
(73) Assignee: **Beckman Coulter, Inc.**, Brea, CA (US)
(**) Term: **15 Years**
(21) Appl. No.: **29/572,375**

(22) Filed: **Jul. 27, 2016**
(51) **LOC (11) Cl.** **24-01**
(52) **U.S. Cl.**
USPC **D24/232**
(58) **Field of Classification Search**
USPC D24/216, 223, 231-234, 186, 107;
D10/81, 97; 435/286.1, 286.4, 286.5,
435/287.3; 73/863.01, 863.02, 863.03,
73/863.31, 863.32
CPC G01N 2035/00306; G01N 2035/00316;
G01N 2035/00326; G01N 2035/00336;
G01N 2030/027; G01N 21/76
See application file for complete search history.

(56) **References Cited**

U.S. PATENT DOCUMENTS

D366,625 S * 1/1996 Carroll D10/75
D681,228 S * 4/2013 Oonuma D24/216
D682,441 S * 5/2013 Kim D24/216

D691,732 S * 10/2013 Shibata D24/216
D724,456 S * 3/2015 Antonczak D10/81
D729,399 S * 5/2015 Oonuma D24/216
D740,955 S * 10/2015 Gutmann D24/216
D740,956 S * 10/2015 Oonuma D24/216
D799,999 S * 10/2017 Barton D10/81
D802,156 S * 11/2017 Barton D24/216
D802,785 S * 11/2017 Barton D24/216
2010/0129789 A1 * 5/2010 Self B01L 9/06
435/5

FOREIGN PATENT DOCUMENTS

EM 003321199-0008 * 8/2016

* cited by examiner

Primary Examiner — Anhdao Doan
Assistant Examiner — Mary Shannon Malley
(74) *Attorney, Agent, or Firm* — Mechant & Gould P.C.

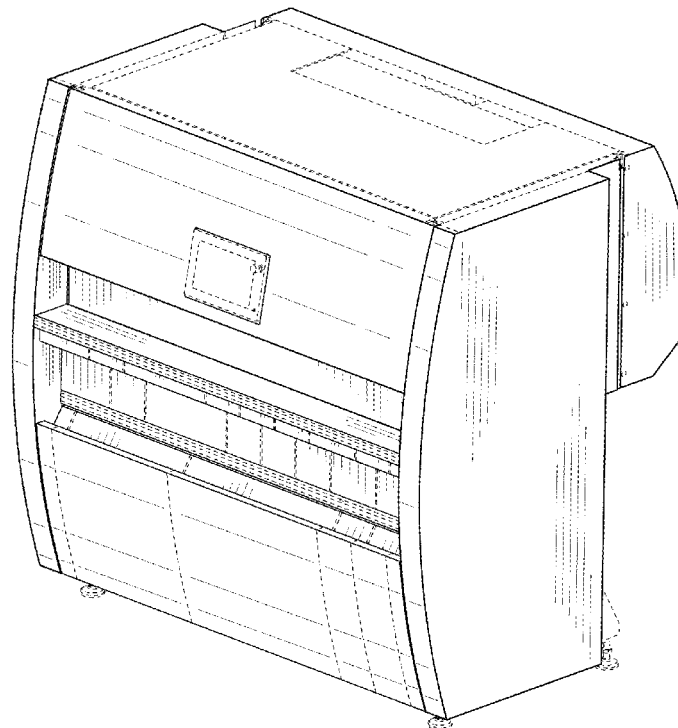
(57) **CLAIM**

The ornamental design for the laboratory instrument, as shown and described.

DESCRIPTION

FIG. 1 is a perspective view of the laboratory instrument; FIG. 2 is a front view thereof; FIG. 3 is a rear view thereof; FIG. 4 is a left side view thereof; FIG. 5 is a right side view thereof; FIG. 6 is a top view thereof; and, FIG. 7 is a bottom view thereof. The broken lines show portions of the laboratory instrument that form no part of the claimed design.

1 Claim, 7 Drawing Sheets



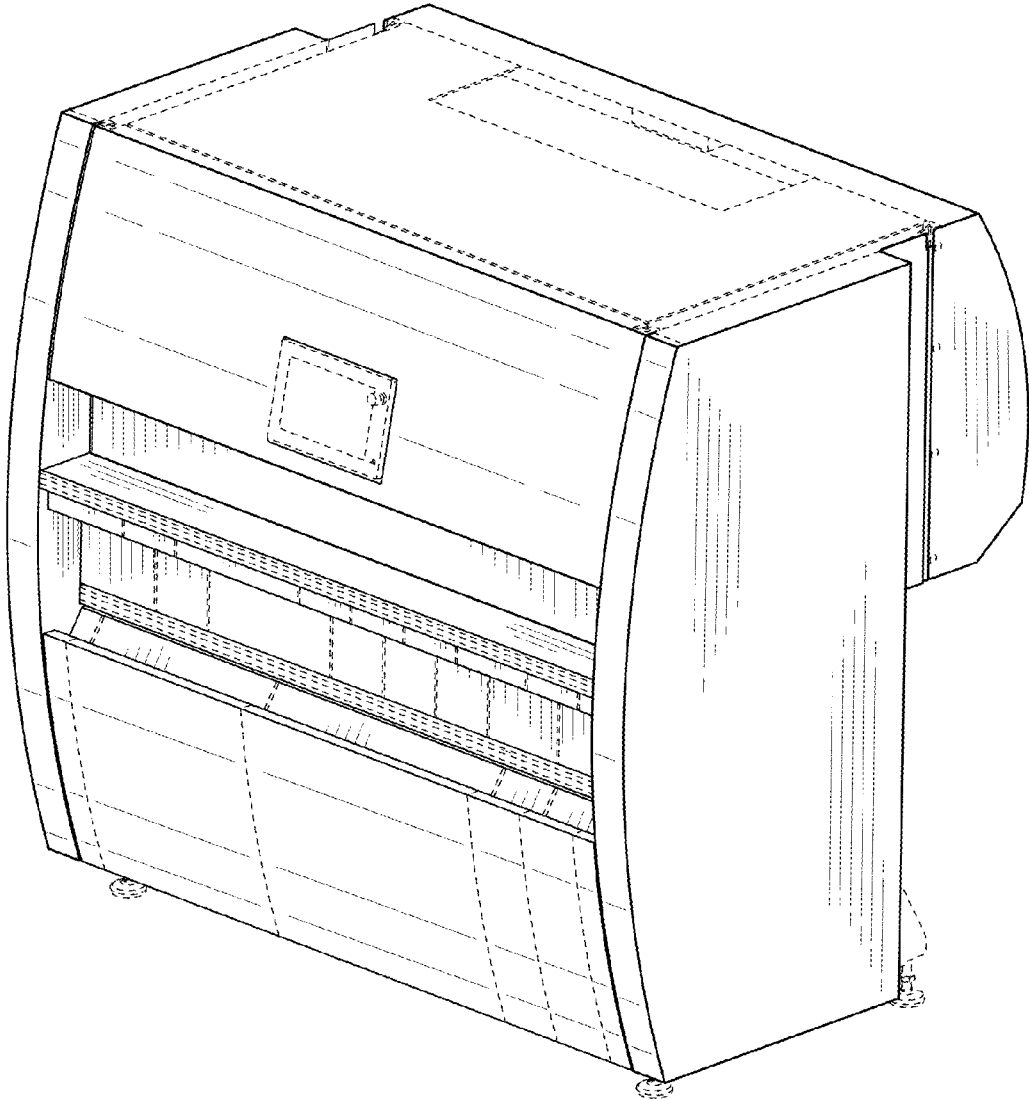


FIG. 1

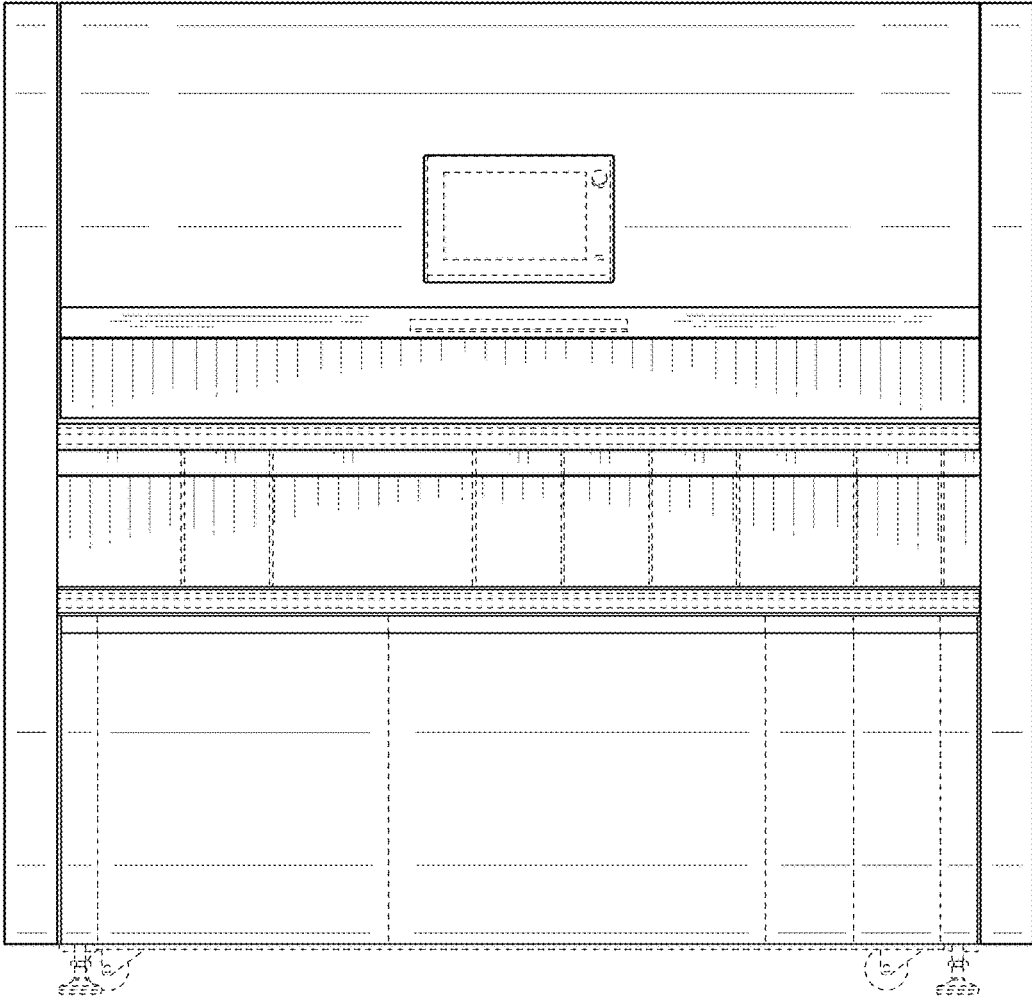


FIG. 2

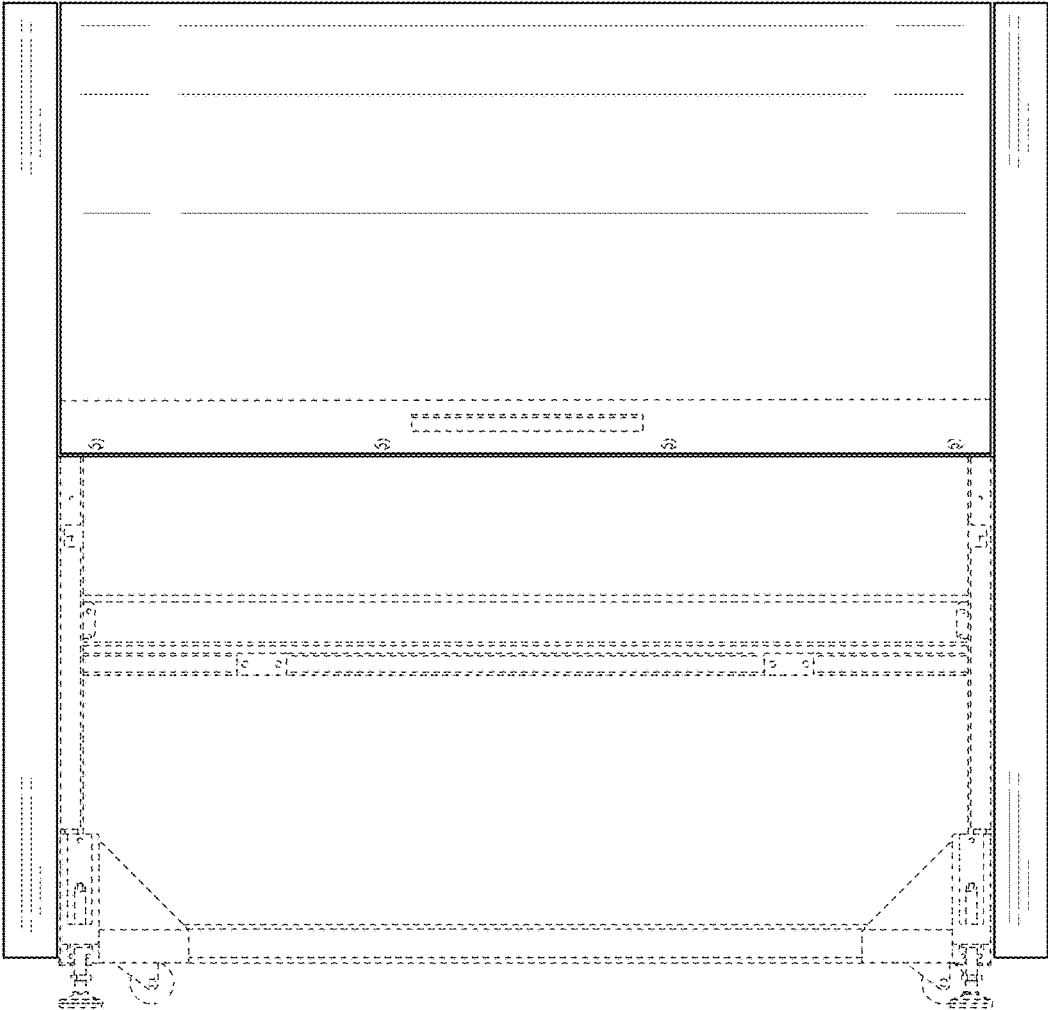


FIG. 3

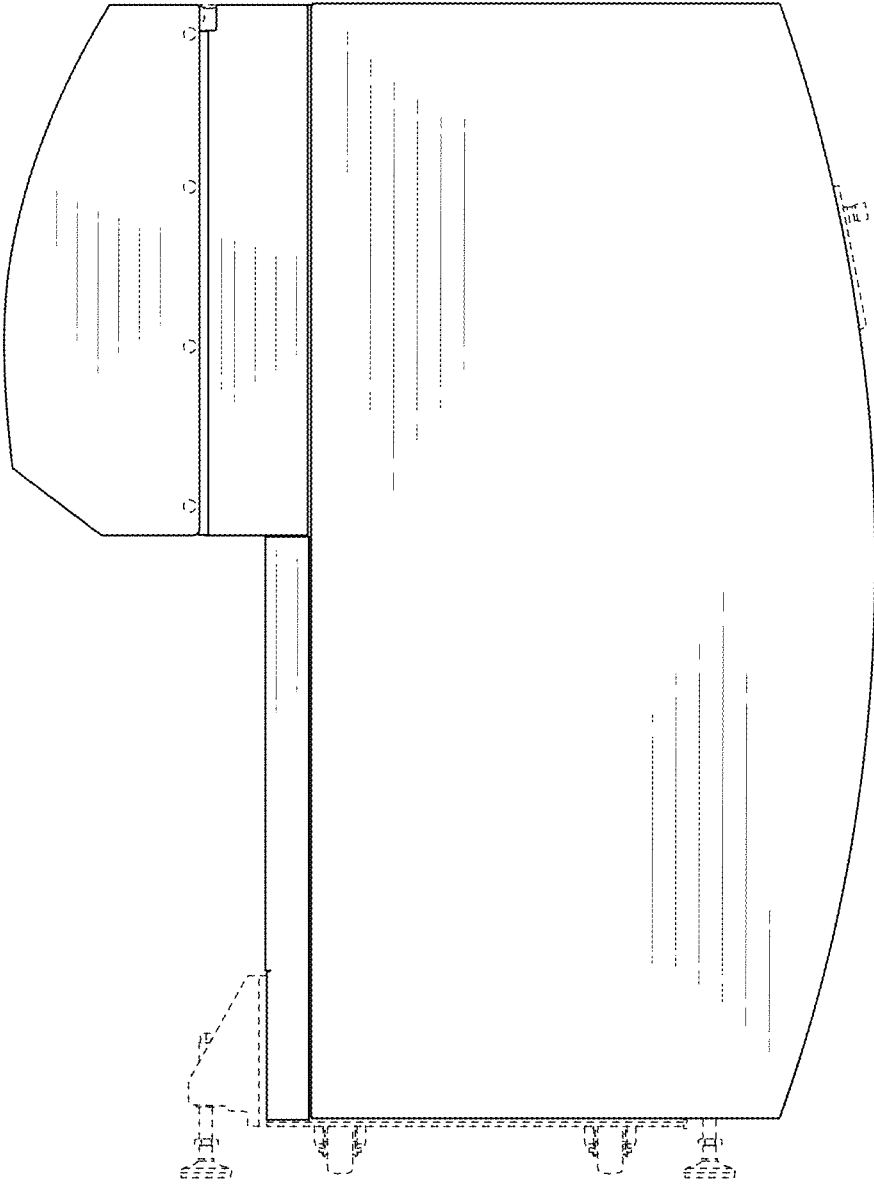


FIG. 4

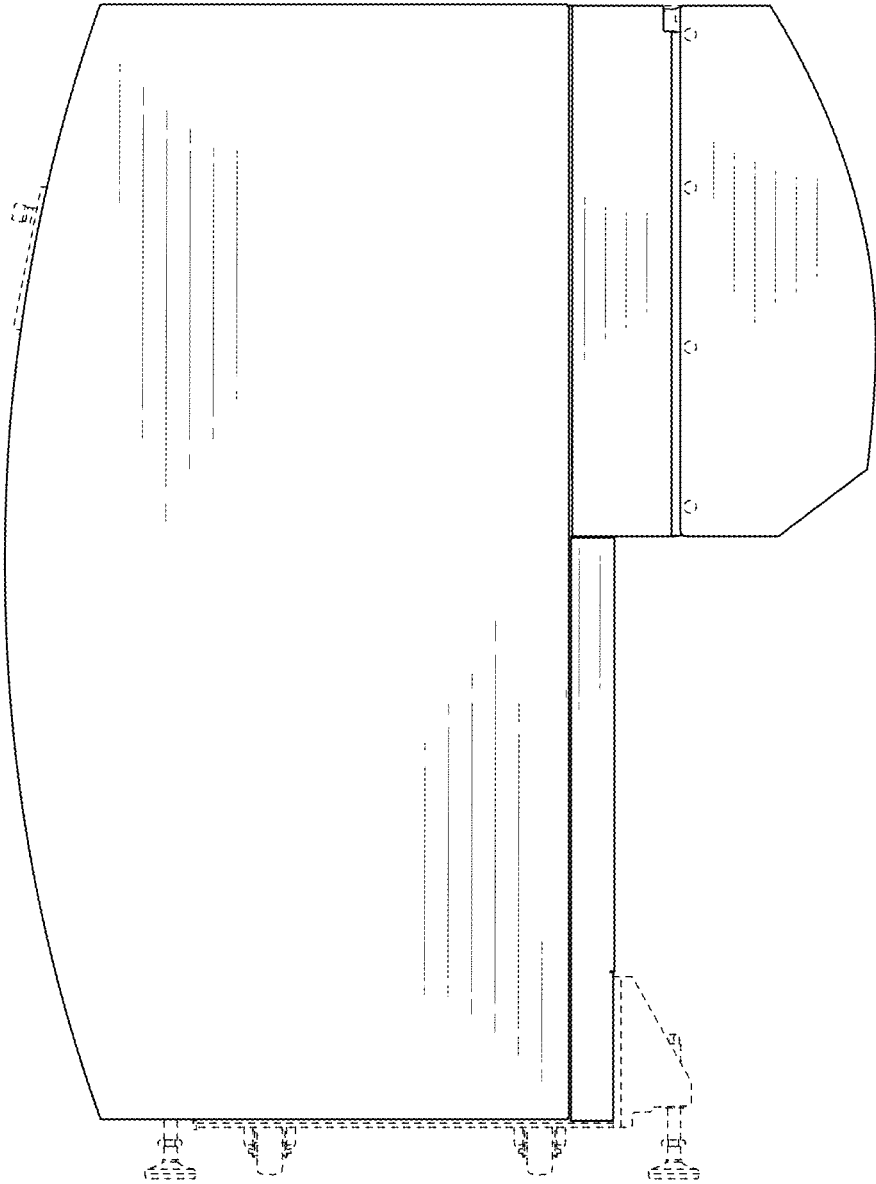


FIG. 5

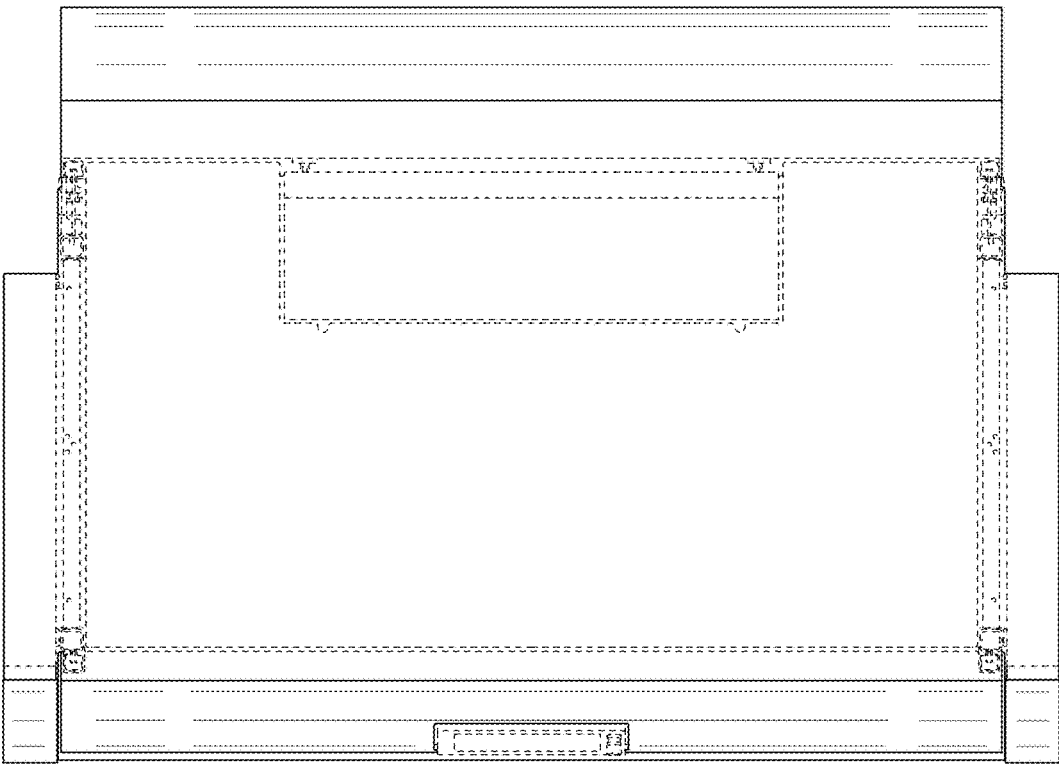


FIG. 6

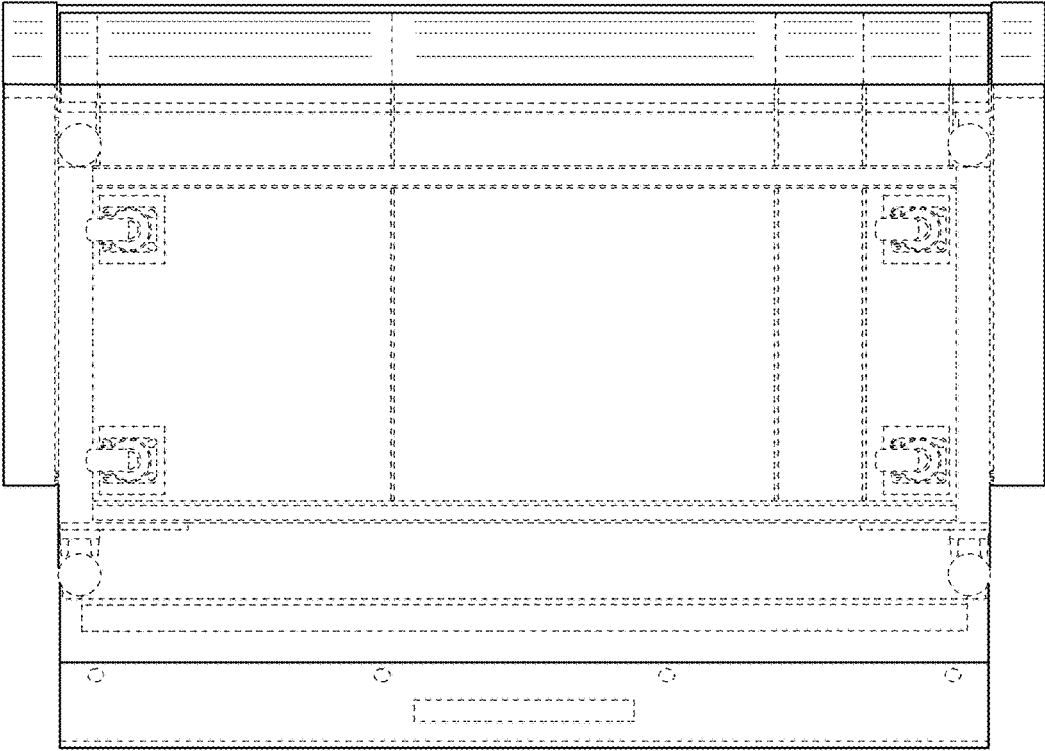


FIG. 7