



US00D730723S

(12) **United States Design Patent**
McSweyn et al.

(10) **Patent No.:** **US D730,723 S**

(45) **Date of Patent:** **** Jun. 2, 2015**

(54) **MAGNETIC MOUNTING SYSTEM WITH
BASE UNIT**

(71) Applicant: **SCOSCHE INDUSTRIES, INC.**,
Oxnard, CA (US)
(72) Inventors: **Christopher Michael McSweyn**,
Oxnard, CA (US); **Vince Alves**, Oxnard,
CA (US); **Mark Larson**, Camarillo, CA
(US)
(73) Assignee: **Scosche Industries, Inc.**, Oxnard, CA
(US)

(**) Term: **14 Years**
(21) Appl. No.: **29/506,082**
(22) Filed: **Oct. 13, 2014**

Related U.S. Application Data

(63) Continuation of application No. 29/476,364, filed on
Dec. 12, 2013, now Pat. No. Des. 715,132.
(51) **LOC (10) Cl.** **08-05**
(52) **U.S. Cl.**
USPC **D8/363**
(58) **Field of Classification Search**
USPC D8/14, 349, 354, 355, 373, 380, 499;
D14/217, 251, 253, 451, 452, 447;
224/484, 486, 0.5, 929; 248/682, 683,
248/688; D12/415

See application file for complete search history.

(56) **References Cited**

U.S. PATENT DOCUMENTS

D530,333 S *	10/2006	Richter	D14/447
D552,454 S *	10/2007	Fynn	D8/363
D563,309 S *	3/2008	Richter	D12/415
D570,836 S *	6/2008	Chen	D14/253
D576,865 S *	9/2008	Chiang et al.	D8/349
D590,835 S *	4/2009	Richter	D14/447
D603,322 S *	11/2009	Nicieja	D12/415
D638,008 S *	5/2011	Richter	D14/253
D670,157 S *	11/2012	Mo	D8/363
D709,072 S *	7/2014	Askew-Harris et al.	D14/447
D713,398 S *	9/2014	Alesi et al.	D14/253
D715,132 S *	10/2014	McSweyn et al.	D8/363
2014/0346295 A1 *	11/2014	Song	248/205.8

* cited by examiner

Primary Examiner — Sheryl Lane
Assistant Examiner — Ieisha Price

(74) *Attorney, Agent, or Firm* — Stetina Brunda Garred & Brucker

(57) **CLAIM**

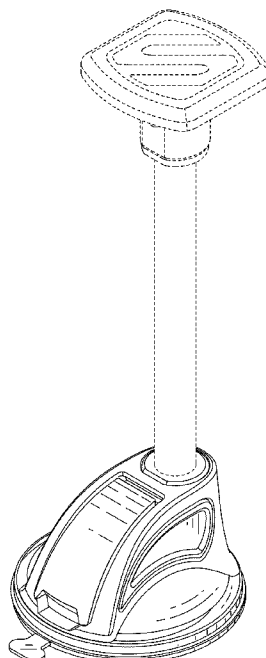
The ornamental design for a magnetic mounting system with base unit, as shown and described.

DESCRIPTION

FIG. 1 is a top perspective view showing the magnetic mounting system with base unit of the present invention; FIG. 2 is a front view thereof; FIG. 3 is a left side view thereof; FIG. 4 is a rear view thereof; FIG. 5 is a top plan view thereof; and, FIG. 6 is bottom plan view thereof.

The broken lines in the drawings illustrate portions of the magnetic mounting system with base unit and form no part of the claimed design.

1 Claim, 3 Drawing Sheets



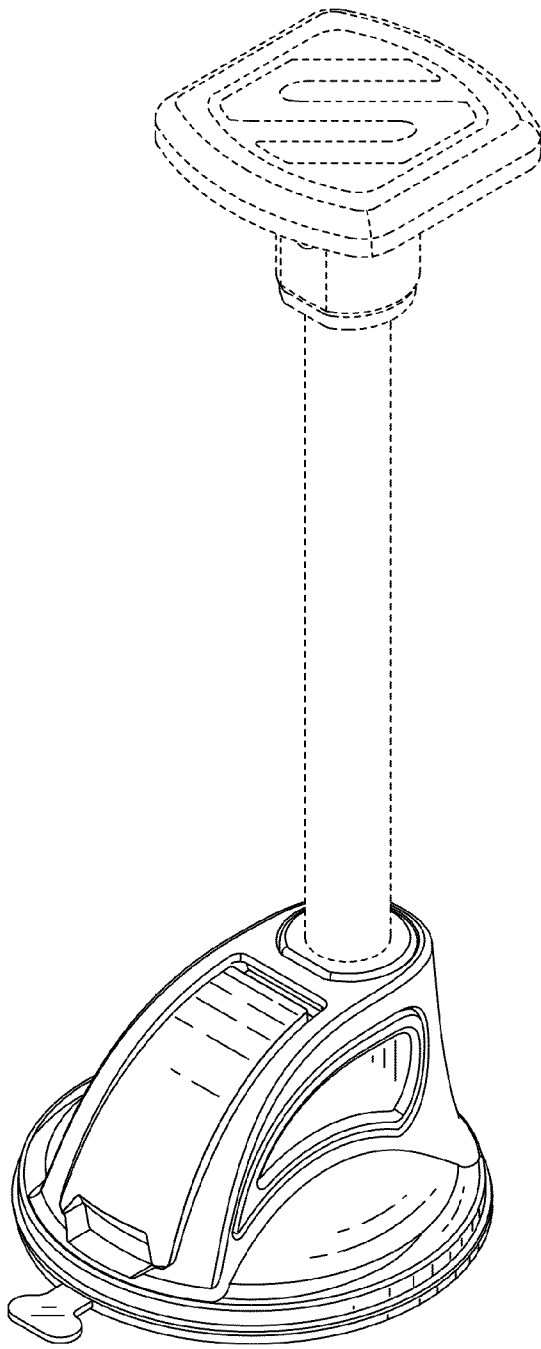


Fig. 1

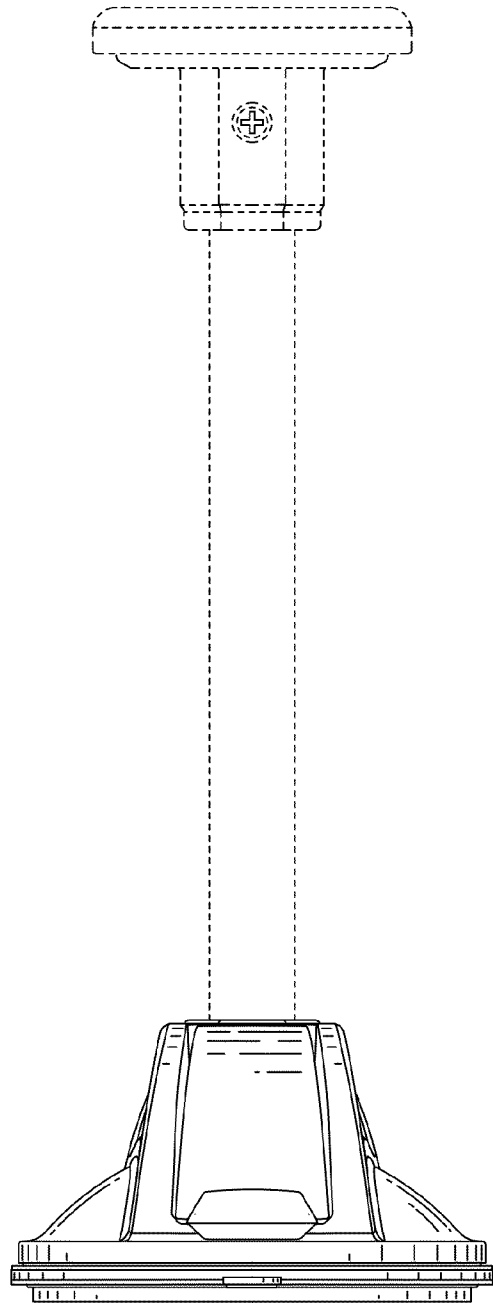


Fig. 2

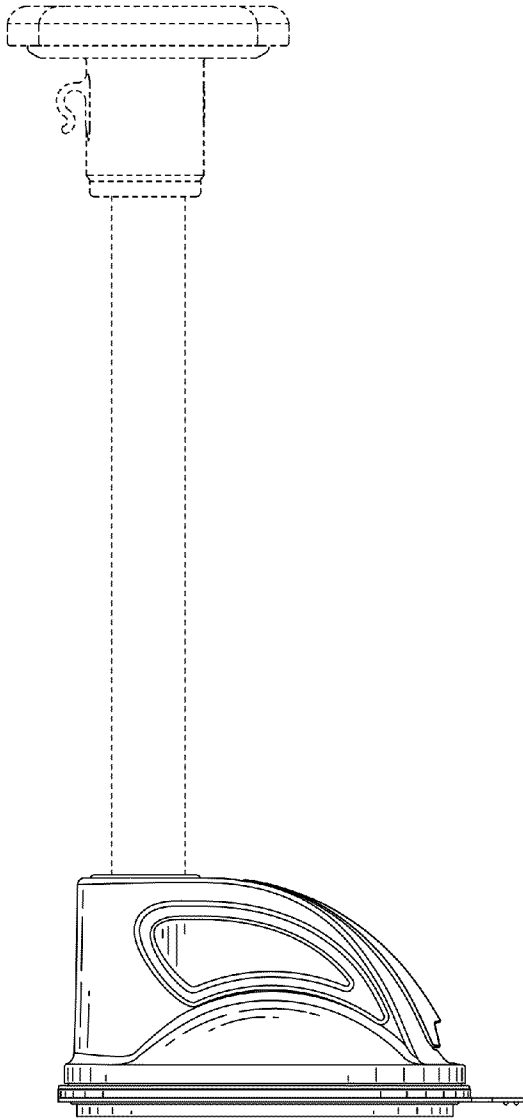


Fig. 3

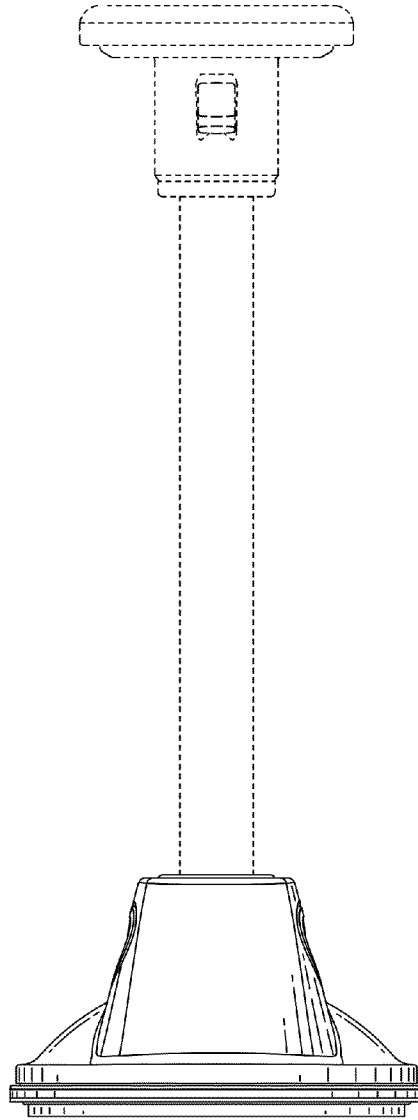


Fig. 4

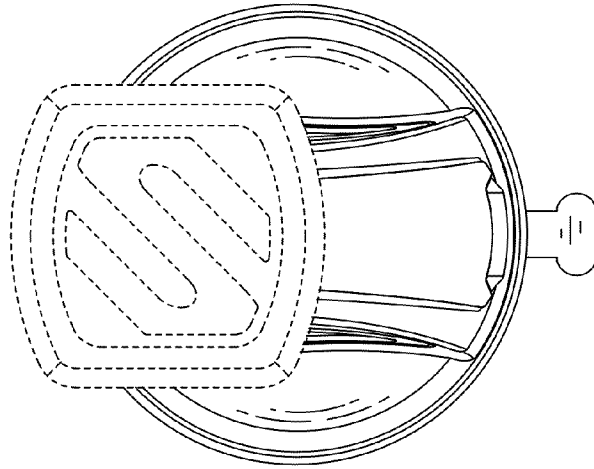


Fig. 5

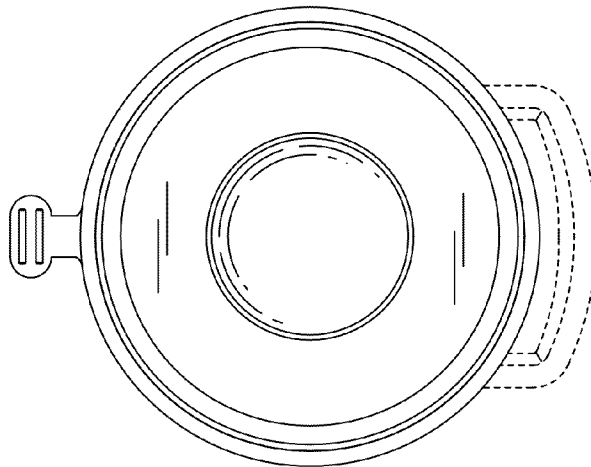


Fig. 6