

(19) World Intellectual Property Organization
International Bureau



(43) International Publication Date
27 April 2006 (27.04.2006)

PCT

(10) International Publication Number
WO 2006/044476 A3

- (51) International Patent Classification:
H04B 1/66 (2006.01) H04N 7/12 (2006.01)
- (21) International Application Number:
PCT/US2005/036701
- (22) International Filing Date: 12 October 2005 (12.10.2005)
- (25) Filing Language: English
- (26) Publication Language: English
- (30) Priority Data:
60/617,988 12 October 2004 (12.10.2004) US

GB, GD, GE, GH, GM, HR, HU, ID, IL, IN, IS, JP, KE, KG, KM, KP, KR, KZ, LC, LK, LR, LS, LT, LU, LV, LY, MA, MD, MG, MK, MN, MW, MX, MZ, NA, NG, NI, NO, NZ, OM, PG, PH, PL, PT, RO, RU, SC, SD, SE, SG, SK, SL, SM, SY, TJ, TM, TN, TR, TT, TZ, UA, UG, US, UZ, VC, VN, YU, ZA, ZM, ZW.

- (71) Applicants and
- (72) Inventors: VANMAN, Robert, Vernon [US/US]; 6803 Shoreview Drive, McKinney, TX 75070 (US). GOBLE, Simon, Christopher [GB/US]; 3102 Greer Road, Palo Alto, CA 94303 (US).

(84) Designated States (unless otherwise indicated, for every kind of regional protection available): ARIPO (BW, GH, GM, KE, LS, MW, MZ, NA, SD, SL, SZ, TZ, UG, ZM, ZW), Eurasian (AM, AZ, BY, KG, KZ, MD, RU, TJ, TM), European (AT, BE, BG, CH, CY, CZ, DE, DK, EE, ES, FI, FR, GB, GR, HU, IE, IS, IT, LT, LU, LV, MC, NL, PL, PT, RO, SE, SI, SK, TR), OAPI (BF, BJ, CF, CG, CI, CM, GA, GN, GQ, GW, ML, MR, NE, SN, TD, TG).

- (74) Agents: ROBINSON, Ross, T. et al.; Jenkins & Gilchrist, Suite 3700, 1445 Ross Avenue, Dallas, TX 75202 (US).

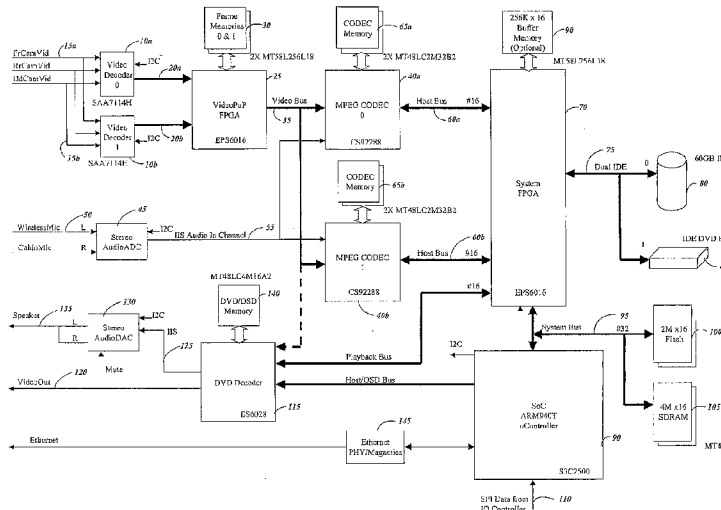
Published:
— with international search report
— before the expiration of the time limit for amending the claims and to be republished in the event of receipt of amendments

- (81) Designated States (unless otherwise indicated, for every kind of national protection available): AE, AG, AL, AM, AT, AU, AZ, BA, BB, BG, BR, BW, BY, BZ, CA, CH, CN, CO, CR, CU, CZ, DE, DK, DM, DZ, EC, EE, EG, ES, FI,

(88) Date of publication of the international search report:
4 January 2007

For two-letter codes and other abbreviations, refer to the "Guidance Notes on Codes and Abbreviations" appearing at the beginning of each regular issue of the PCT Gazette.

(54) Title: METHOD OF AND SYSTEM FOR MOBILE SURVEILLANCE AND EVENT RECORDING



(57) Abstract: A data-encoding system includes a source of unencoded data, and a first encoder interoperably coupled to the source, wherein the first encoder is adapted to receive the unencoded data, encode the unencoded data, and output encoded data at a first data rate. The data encoding system further includes a second encoder interoperably coupled to the source, wherein the second encoder is adapted to receive the unencoded data, encode the unencoded data, and output encoded data at a second data rate in which the second data rate exceeds the first data rate. This Abstract is provided to comply with rules requiring an Abstract that allows a searcher or other reader to quickly ascertain subject matter of the technical disclosure. This Abstract is submitted with the understanding that it will not be used to interpret or limit the scope or meaning of the claims.

WO 2006/044476 A3

INTERNATIONAL SEARCH REPORT

International application No.

PCT/US05/36701

A. CLASSIFICATION OF SUBJECT MATTER
 IPC: **H04B 1/66;H04N 7/12**

USPC: **375/240.1**

According to International Patent Classification (IPC) or to both national classification and IPC

B. FIELDS SEARCHED

Minimum documentation searched (classification system followed by classification symbols)
 U.S. : 375/240.1

Documentation searched other than minimum documentation to the extent that such documents are included in the fields searched

Electronic data base consulted during the international search (name of data base and, where practicable, search terms used)

C. DOCUMENTS CONSIDERED TO BE RELEVANT

Category *	Citation of document, with indication, where appropriate, of the relevant passages	Relevant to claim No.
X	US 6,704,281 B1 (HOURUNRANTA et al) 09 March 2004, figures 1 and 5	19-38
X	US 6,801,574 B2 (TAKEUCHI et al) 05 October 2004, see entire document	19 and 29

Further documents are listed in the continuation of Box C. See patent family annex.

* Special categories of cited documents:	
"A" document defining the general state of the art which is not considered to be of particular relevance	"T" later document published after the international filing date or priority date and not in conflict with the application but cited to understand the principle or theory underlying the invention
"B" earlier application or patent published on or after the international filing date	"X" document of particular relevance; the claimed invention cannot be considered novel or cannot be considered to involve an inventive step when the document is taken alone
"L" document which may throw doubts on priority claim(s) or which is cited to establish the publication date of another citation or other special reason (as specified)	"Y" document of particular relevance; the claimed invention cannot be considered to involve an inventive step when the document is combined with one or more other such documents, such combination being obvious to a person skilled in the art
"O" document referring to an oral disclosure, use, exhibition or other means	"&" document member of the same patent family
"P" document published prior to the international filing date but later than the priority date claimed	

Date of the actual completion of the international search 12 September 2006 (12.09.2006)	Date of mailing of the international search report 25 OCT 2006
---	---

Name and mailing address of the ISA/US Mail Stop PCT, Attn: ISA/US Commissioner for Patents P.O. Box 1450 Alexandria, Virginia 22313-1450 Facsimile No. (571) 273-3201	Authorized officer Nhon T. Diep Telephone No. 703 305-2600
---	--

BOX III. OBSERVATIONS WHERE UNITY OF INVENTION IS LACKING

- I. Claims 1-18, drawn to a video data chapter segmentation, classified in class 348, subclass 601;
- II Claims 19-38, drawn to a data encoding method and system, classified in class 375, subclass 240;
- III. Claims 39-46, drawn to a system and method for handling data overflow, classified in class 711, subclass 147;
- IV. Claims 47-70, drawn to a method and system for archiving data, classified in class 714, subclass 8; and
- V. Claims 71-74, drawn on a data security method and system, classified in class 369, subclass 27.01.

INTERNATIONAL SEARCH REPORT

International application No.

PCT/US05/36701

Box No. II Observations where certain claims were found unsearchable (Continuation of item 2 of first sheet)

This international search report has not been established in respect of certain claims under Article 17(2)(a) for the following reasons:

- 1. Claims Nos.:
because they relate to subject matter not required to be searched by this Authority, namely:

- 2. Claims Nos.:
because they relate to parts of the international application that do not comply with the prescribed requirements to such an extent that no meaningful international search can be carried out, specifically:

- 3. Claims Nos.:
because they are dependent claims and are not drafted in accordance with the second and third sentences of Rule 6.4(a).

Box No. III Observations where unity of invention is lacking (Continuation of item 3 of first sheet)

This International Searching Authority found multiple inventions in this international application, as follows:
Please See Continuation Sheet

- 1. As all required additional search fees were timely paid by the applicant, this international search report covers all searchable claims.
- 2. As all searchable claims could be searched without effort justifying additional fees, this Authority did not invite payment of any additional fees.
- 3. As only some of the required additional search fees were timely paid by the applicant, this international search report covers only those claims for which fees were paid, specifically claims Nos.:

- 4. No required additional search fees were timely paid by the applicant. Consequently, this international search report is restricted to the invention first mentioned in the claims; it is covered by claims Nos.: 19-38

- Remark on Protest**
- The additional search fees were accompanied by the applicant's protest and, where applicable, the payment of a protest fee.
 - The additional search fees were accompanied by the applicant's protest but the applicable protest fee was not paid within the time limit specified in the invitation.
 - No protest accompanied the payment of additional search fees.