

March 6, 1934.

W. F. KAYNOR
WALL LIGHT FIXTURE
Filed Dec. 14, 1933

Des. 91,664

Fig. 1.

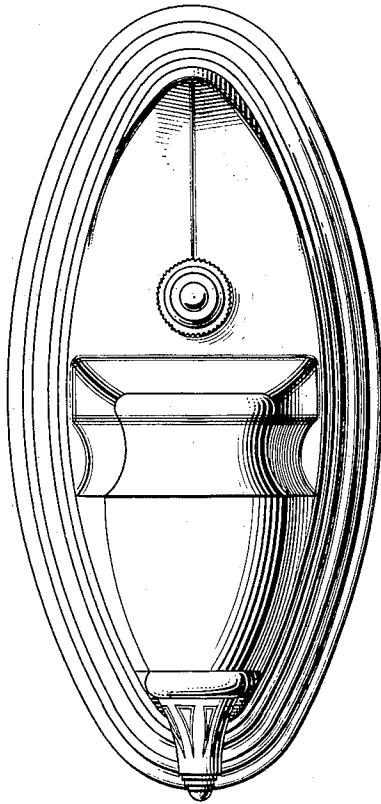


Fig. 2.

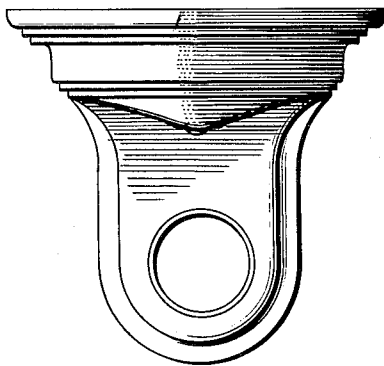
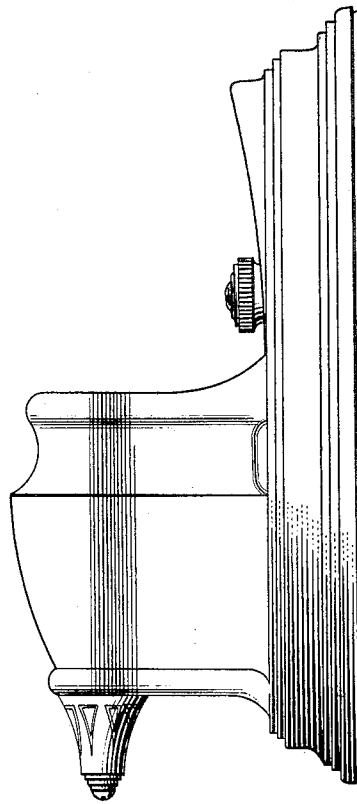


Fig. 3.

Inventor
Warren F. Kaynor
By
Vernon E. Hodges
his Attorney

UNITED STATES PATENT OFFICE

91,664

DESIGN FOR A WALL LIGHT FIXTURE

Warren F. Kaynor, Waterbury, Conn., assignor to
The Waterbury Button Company, Waterbury,
Conn., a corporation of Connecticut

Application December 14, 1933, Serial No. 50,078

Term of patent 7 years

To all whom it may concern:

Be it known that I, WARREN F. KAYNOR, a citizen of the United States, residing at Waterbury, in the county of New Haven and State of Connecticut, have invented a new, original, and ornamental Design for Wall Light Fixtures, of which the following is a specification, reference being had to the accompanying drawing, forming part thereof, in which drawing—

Figure 1 is a front view of a wall light fixture showing my new design;

Figure 2 is a side view;

Figure 3 is a plan view.

I claim:

The ornamental design for a wall light fixture, as shown.

W. F. KAYNOR.