



- (51) International Patent Classification:  
*G05B 19/418* (2006.01)      *H04L 12/00* (2006.01)  
*G08C 17/00* (2006.01)
- (21) International Application Number:  
PCT/TR2019/050586
- (22) International Filing Date:  
17 July 2019 (17.07.2019)
- (25) Filing Language: Turkish
- (26) Publication Language: English
- (30) Priority Data:  
2018/14226      01 October 2018 (01.10.2018)      TR
- (71) Applicant: **ERTUG YAZILIM ELEKTRIK ELEKTRONIK SAN. VE TIC. LTD. STI.** [TR/TR]; Ciftelavuzlar Mah. Gurdag Sk. No:23 A, Bursa (TR).
- (72) Inventors: **ERDEN, Halil**; Ciftelavuzlar Mah. Gurdag Sk. No:23/A, Osmangazi/Bursa (TR). **GULEC, Emre**; Ulutek Teknoloji Gelistirme Bolgesi Uludag Universitesi, Gorukle Sakarya Mah. Universite 2. Sk. No:17/3 Ofis No:245, Bursa (TR).
- (74) Agent: **KAYA, Erdem**; Erdem Kaya Patent Inc., Konak Mahallesi Kudret Sk. Elitpark Park Sit. Ofisler Apt. No:12/27, Nilufer/Bursa (TR).
- (81) Designated States (unless otherwise indicated, for every kind of national protection available): AE, AG, AL, AM, AO, AT, AU, AZ, BA, BB, BG, BH, BN, BR, BW, BY, BZ, CA, CH, CL, CN, CO, CR, CU, CZ, DE, DJ, DK, DM, DO, DZ, EC, EE, EG, ES, FI, GB, GD, GE, GH, GM, GT, HN, HR, HU, ID, IL, IN, IR, IS, JO, JP, KE, KG, KH, KN, KP, KR, KW, KZ, LA, LC, LK, LR, LS, LU, LY, MA, MD, ME, MG, MK, MN, MW, MX, MY, MZ, NA, NG, NI, NO, NZ, OM, PA, PE, PG, PH, PL, PT, QA, RO, RS, RU, RW, SA,

(54) Title: HOUSE SYSTEM WITH INTELLIGENT KEY/ELECTRICAL OUTLET

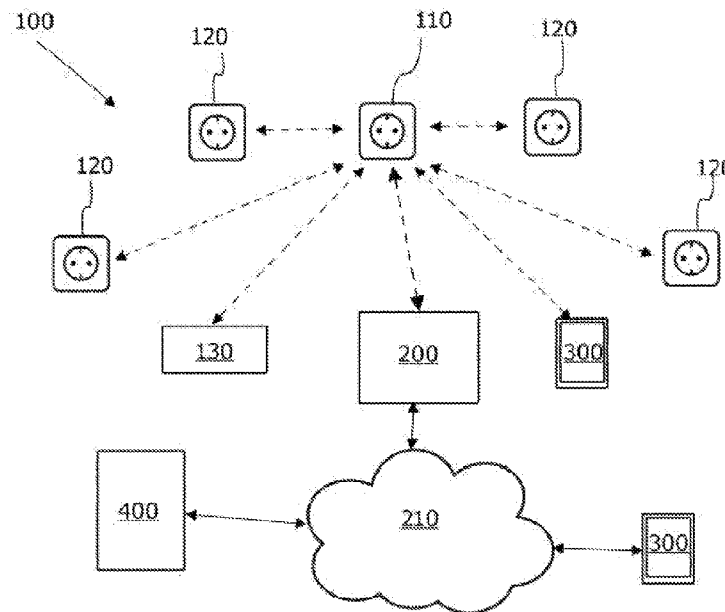


Figure 1

(57) Abstract: The present invention is an intelligent house system (100) comprising input terminals (121) for connecting to the mains supply, output terminals (122) connected to said input terminals (121) for providing power output, a key (123) which functions at least in an open position and at least in a turned off position for selectively interrupting or joining the connection between said output terminal (122) and said input terminal (121), a processor unit (124) which controls said key (123), a communication unit (125) associated with the processor unit (124), a sensor (127) associated with the processor unit (124), and having at least one electrical connection element (110) where the processor unit (124) also sends the data, received from said sensor (127), by means of said communication unit (125) and where the processor unit (124) is configured to control the key (123) according to the commands received by means of the communication unit (125).



SC, SD, SE, SG, SK, SL, SM, ST, SV, SY, TH, TJ, TM, TN,  
TR, TT, TZ, UA, UG, US, UZ, VC, VN, ZA, ZM, ZW.

- (84) Designated States** (*unless otherwise indicated, for every kind of regional protection available*): ARIPO (BW, GH, GM, KE, LR, LS, MW, MZ, NA, RW, SD, SL, ST, SZ, TZ, UG, ZM, ZW), Eurasian (AM, AZ, BY, KG, KZ, RU, TJ, TM), European (AL, AT, BE, BG, CH, CY, CZ, DE, DK, EE, ES, FI, FR, GB, GR, HR, HU, IE, IS, IT, LT, LU, LV, MC, MK, MT, NL, NO, PL, PT, RO, RS, SE, SI, SK, SM, TR), OAPI (BF, BJ, CF, CG, CI, CM, GA, GN, GQ, GW, KM, ML, MR, NE, SN, TD, TG).

**Published:**

- *with international search report (Art. 21(3))*
- *before the expiration of the time limit for amending the claims and to be republished in the event of receipt of amendments (Rule 48.2(h))*
- *in black and white; the international application as filed contained color or greyscale and is available for download from PATENTSCOPE*

**(88) Date of publication of the international search report:**

24 December 2020 (24.12.2020)

## INTERNATIONAL SEARCH REPORT

International application No.

**PCT/TR2019/050586**

<b>A. CLASSIFICATION OF SUBJECT MATTER</b>		
G05B 19/418 (2006.01)i; G08C 17/00 (2006.01)i; H04L 12/00 (2006.01)i		
According to International Patent Classification (IPC) or to both national classification and IPC		
<b>B. FIELDS SEARCHED</b>		
Minimum documentation searched (classification system followed by classification symbols) G05B; G08C; H04L		
Documentation searched other than minimum documentation to the extent that such documents are included in the fields searched		
Electronic data base consulted during the international search (name of data base and, where practicable, search terms used)		
<b>C. DOCUMENTS CONSIDERED TO BE RELEVANT</b>		
Category*	Citation of document, with indication, where appropriate, of the relevant passages	Relevant to claim No.
A	WO 2017198059 A1 (SHENZHEN JBT SMART LIGHTING CO LTD [CN]) 23 November 2017 (2017-11-23) Paragraphs 1, 50-51; Abstract; Figure 1,2	1-18
A	CN 104865932 A (SHANGHAI FEIXUN COMM CO LTD) 26 August 2015 (2015-08-26) Paragraphs 5-20; Abstract; Figure 1	1-18
A	CN 105739318 A (SHENZHEN JIUZHOU OPTOELECTRONICS TECH CO LTD) 06 July 2016 (2016-07-06) Paragraph 5; Abstract, Figure 5	1-18
<input type="checkbox"/> Further documents are listed in the continuation of Box C. <input type="checkbox"/> See patent family annex.		
<p>* Special categories of cited documents:</p> <p>“A” document defining the general state of the art which is not considered to be of particular relevance</p> <p>“E” earlier application or patent but published on or after the international filing date</p> <p>“L” document which may throw doubts on priority claim(s) or which is cited to establish the publication date of another citation or other special reason (as specified)</p> <p>“O” document referring to an oral disclosure, use, exhibition or other means</p> <p>“P” document published prior to the international filing date but later than the priority date claimed</p> <p>“T” later document published after the international filing date or priority date and not in conflict with the application but cited to understand the principle or theory underlying the invention</p> <p>“X” document of particular relevance; the claimed invention cannot be considered novel or cannot be considered to involve an inventive step when the document is taken alone</p> <p>“Y” document of particular relevance; the claimed invention cannot be considered to involve an inventive step when the document is combined with one or more other such documents, such combination being obvious to a person skilled in the art</p> <p>“&amp;” document member of the same patent family</p>		
Date of the actual completion of the international search <b>23 November 2020</b>		Date of mailing of the international search report <b>23 November 2020</b>
Name and mailing address of the ISA/TR <b>Turkish Patent and Trademark Office (Turkpatent) Hipodrom Caddesi No. 13 06560 Yenimahalle Ankara Turkey</b> Telephone No. (90-312) 303 11 82 Facsimile No. +903123031220		Authorized officer  <b>Ali Bulent Daloglu</b>  Telephone No.