



(12) **United States Design Patent**  
**Vassallo**

(10) **Patent No.:** **US D613,808 S**  
(45) **Date of Patent:** **\*\* \*Apr. 13, 2010**

- (54) **SWIM FIN**
- (75) Inventor: **Shane Thomas Anthony Vassallo**,  
Maroubra (AU)
- (73) Assignee: **POD Ware Pty Ltd.**, Maroubra, New  
South Wales (AU)
- (\* ) Notice: This patent is subject to a terminal dis-  
claimer.
- (\*\*) Term: **14 Years**
- (21) Appl. No.: **29/338,261**
- (22) Filed: **Jun. 8, 2009**

D277,595 S *	2/1985	Simpson .....	D21/806
D286,668 S *	11/1986	Berenson .....	D21/806
D328,325 S *	7/1992	Mitchell .....	D21/806
D329,269 S *	9/1992	Szabad et al. ....	D21/806
D349,552 S *	8/1994	Fleming .....	D21/806
5,387,145 A *	2/1995	Wagner .....	441/64
D363,105 S *	10/1995	Parr .....	D21/806
D377,073 S *	12/1996	Chang .....	D21/806
D594,077 S *	6/2009	Vassallo .....	D21/806

\* cited by examiner

*Primary Examiner*—Janice E Seeger  
*Assistant Examiner*—Zenia I Bennett

(74) *Attorney, Agent, or Firm*—Knobbe Martens Olson &  
Bear LLP

**Related U.S. Application Data**

- (63) Continuation of application No. 29/328,345, filed on  
Nov. 21, 2008, now Pat. No. Des. 594,077.

**Foreign Application Priority Data**

- (30) May 29, 2008 (AU) ..... 321272

- (51) **LOC (9) Cl.** ..... **21-01**
- (52) **U.S. Cl.** ..... **D21/806**
- (58) **Field of Classification Search** ..... D21/769,  
D21/770, 801, 803, 804, 806, 807, 810; D2/731,  
D2/732; 441/55, 56, 58, 60-66, 68, 69, 72-75,  
441/79  
See application file for complete search history.

**References Cited**

**U.S. PATENT DOCUMENTS**

D263,615 S *	3/1982	Beuchat .....	D21/806
D270,926 S *	10/1983	Simpson .....	D21/806

(57) **CLAIM**

The ornamental design for a swim fin, as shown and described  
herein.

**DESCRIPTION**

FIG. 1 is a top perspective view of a swim fin showing my new  
design.

FIG. 2 is a top plan view thereof.

FIG. 3 is a bottom perspective view thereof.

FIG. 4 is a bottom plan view thereof.

FIG. 5 is a right side elevational view thereof.

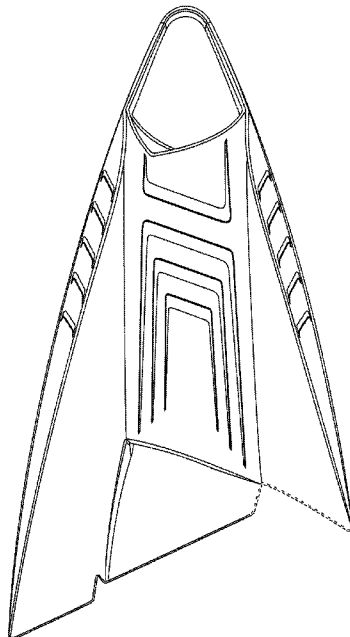
FIG. 6 is a left side elevational view thereof.

FIG. 7 is a front elevational view thereof; and,

FIG. 8 is a rear elevational view thereof.

The broken lines shown in the drawings are for illustrative  
purposes only and form no part of the claimed design.

**1 Claim, 6 Drawing Sheets**



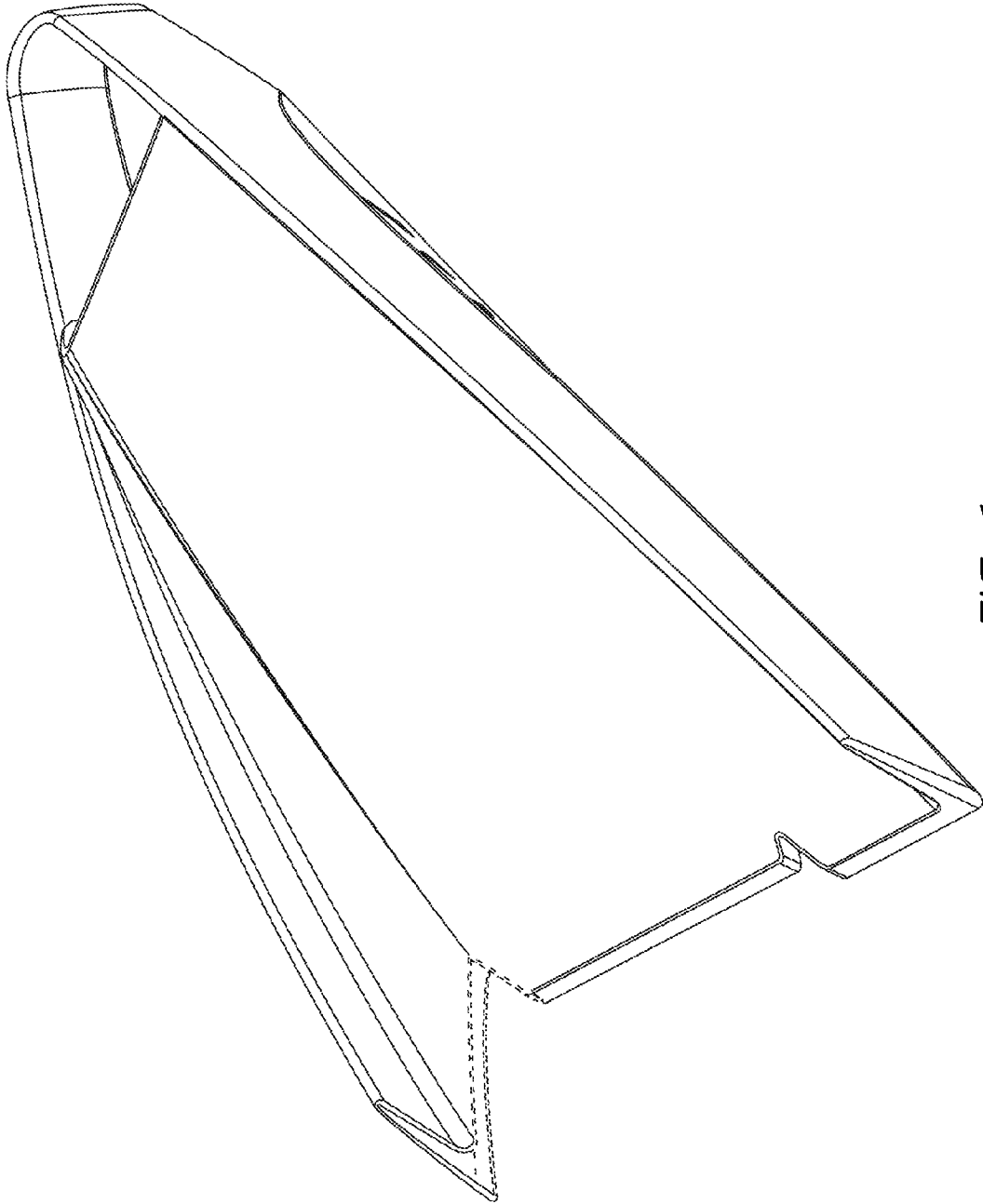


FIG. 1

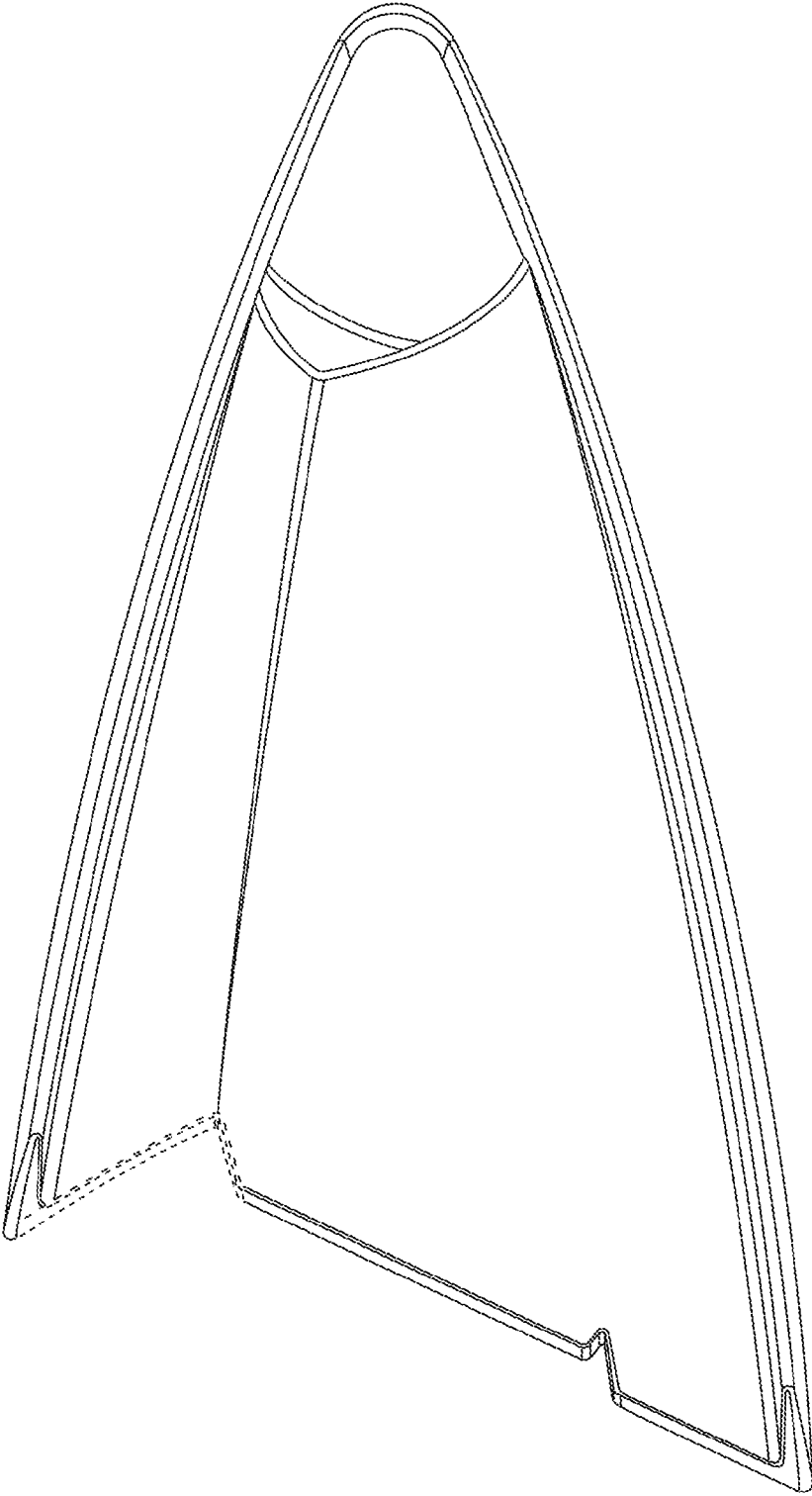


FIG. 2

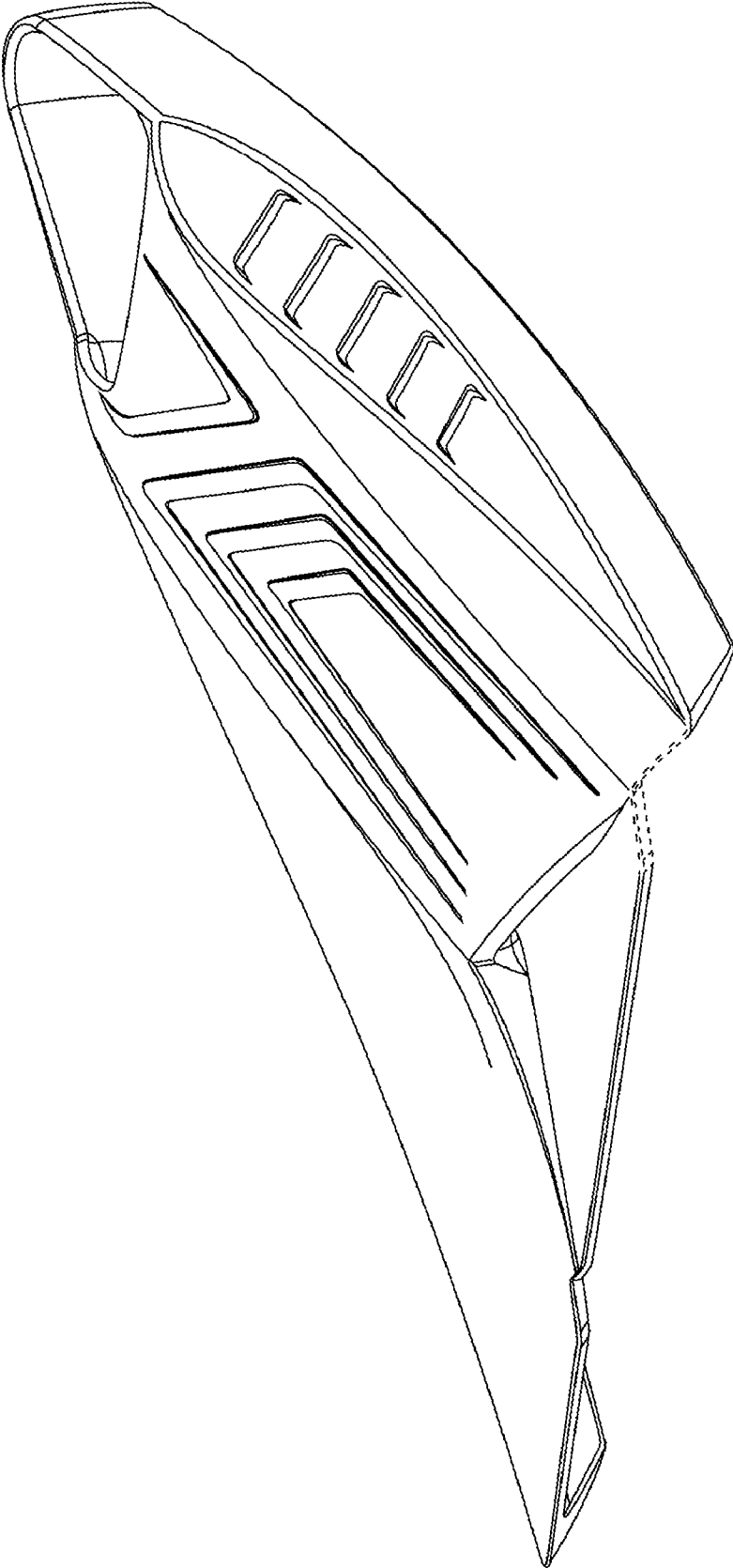


FIG. 3

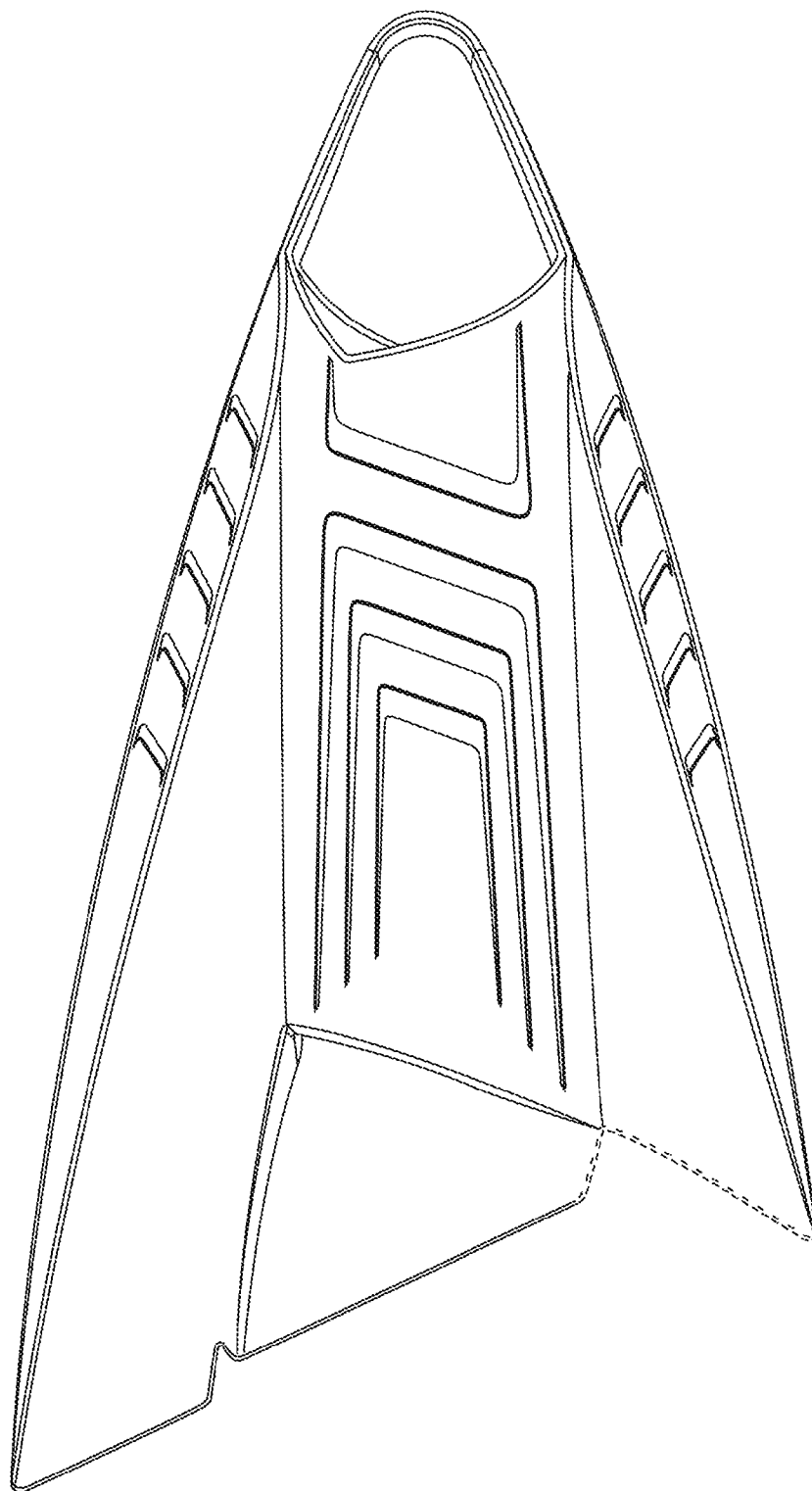


FIG. 4

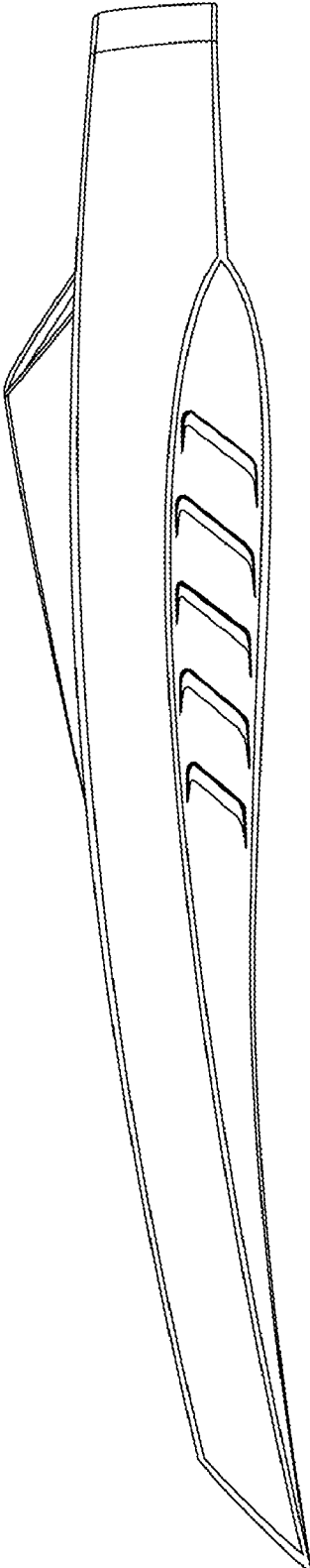


FIG. 5

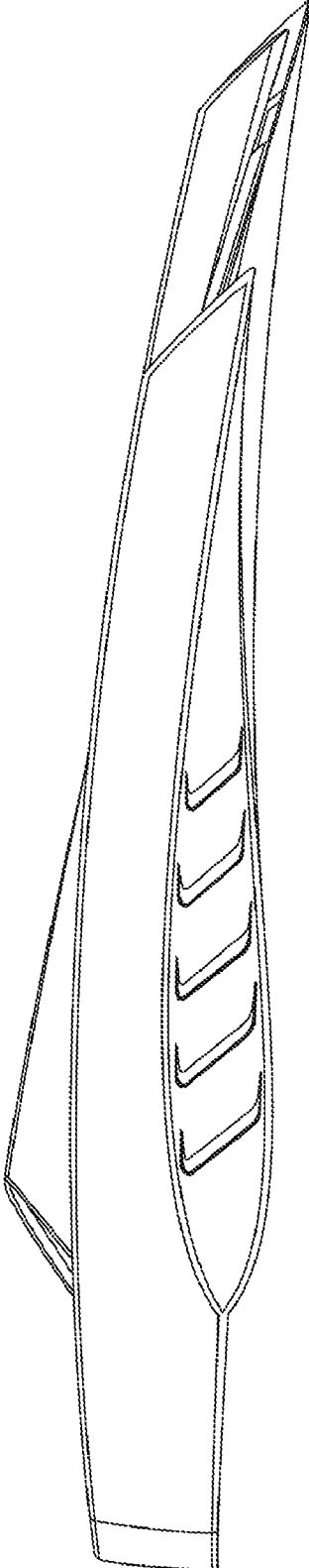


FIG. 6

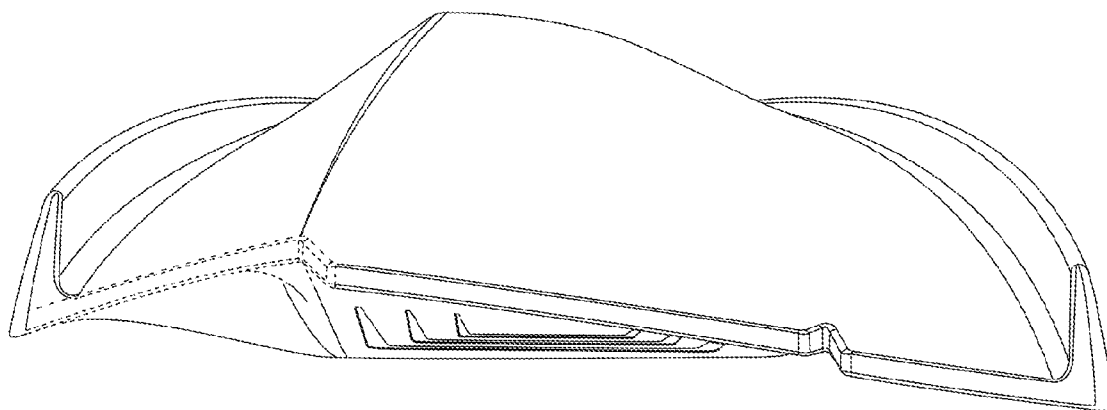


FIG. 7

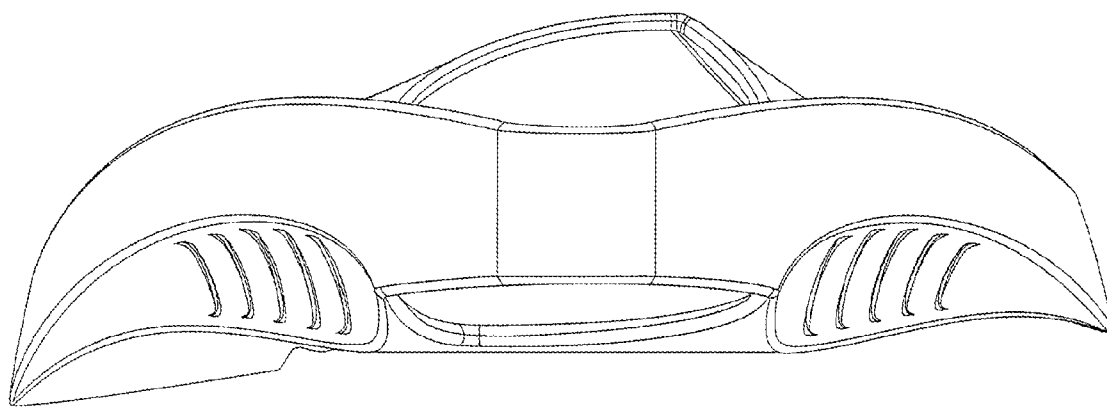


FIG. 8