



US00D747463S

(12) **United States Design Patent**
Bare et al.

(10) **Patent No.:** **US D747,463 S**

(45) **Date of Patent:** **** Jan. 12, 2016**

(54) **TRACHEOSTOMY VALVE**

(71) Applicant: **Passy-Muir, Inc.**, Irvine, CA (US)

(72) Inventors: **Rex O. Bare**, Lake Forest, CA (US);
Andrew J. Scherer, Trabuco Canyon,
CA (US)

(73) Assignee: **Passy-Muir, Inc.**, Irvine, CA (US)

(**) Term: **14 Years**

(21) Appl. No.: **29/445,494**

(22) Filed: **Feb. 12, 2013**

Related U.S. Application Data

(63) Continuation-in-part of application No. 13/244,067,
filed on Sep. 23, 2011, now abandoned, which is a
continuation of application No. 11/830,573, filed on
Jul. 30, 2007, now Pat. No. 8,051,856.

(51) **LOC (10) Cl.** **29-02**

(52) **U.S. Cl.**
USPC **D24/110.6**

(58) **Field of Classification Search**
USPC D24/110, 110.1, 110.4, 110.5, 129,
D24/164; 128/201.28, 205.24, 207.12,
128/207.14–207.16
CPC A61M 16/0468; A61M 16/208; A61M
16/107; A61M 16/04; A61M 16/0465; A61F
2/203; A61F 2/20
See application file for complete search history.

(56) **References Cited**

U.S. PATENT DOCUMENTS

3,009,266 A	11/1961	Brook	
3,137,299 A *	6/1964	Tabor	128/207.16
3,376,659 A	4/1968	Asin	
3,410,003 A	11/1968	Sovijarvi	
3,693,624 A	9/1972	Shiley et al.	

3,802,096 A	4/1974	Matern	
3,844,290 A	10/1974	Birch et al.	
4,029,105 A	6/1977	Faust	
4,040,428 A *	8/1977	Clifford	128/207.16

(Continued)

FOREIGN PATENT DOCUMENTS

JP	S61-130678	6/1986
JP	62-502103	8/1987

(Continued)

OTHER PUBLICATIONS

Boston Medical Products, Montgomery® Ventrach™ Speaking Valve, Product Codes: 221401, 221201, 221202. Retrieved from <http://www.bosmed.com/trachcare/ventrach.html> and <http://www.bosmed.com/trachcare/montgomerytrach.html> on Jul. 31, 2006.

(Continued)

Primary Examiner — Deanna L Pratt

Assistant Examiner — Lilyana Bekic

(74) *Attorney, Agent, or Firm* — Knobbe Martens Olson & Bear LLP

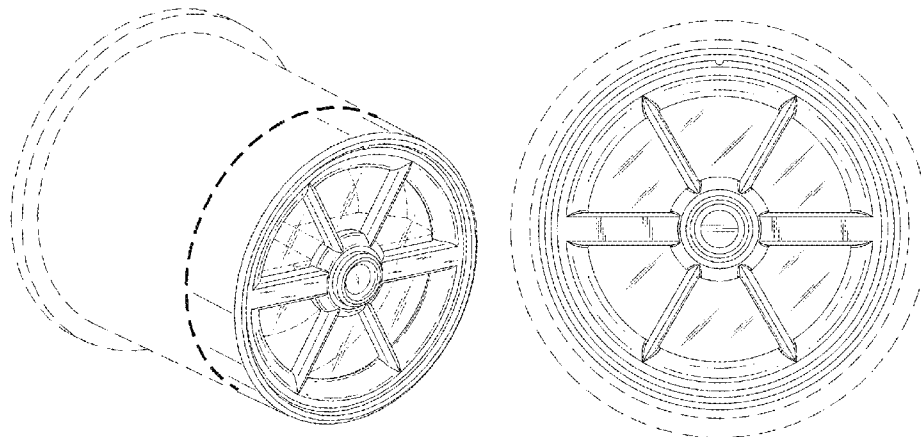
(57) **CLAIM**

The ornamental design for a tracheostomy valve, as shown and described.

DESCRIPTION

FIG. 1 is a top, front and side perspective view of a tracheostomy valve embodying the new design.
FIG. 2 is a bottom, back and side perspective view thereof.
FIG. 3 is a top view thereof.
FIG. 4 is a bottom view thereof; and,
FIG. 5 is a side view thereof, the opposite side, the front and the back all being identical.
Broken lines are used to illustrate portions of the tracheostomy valve which form no part of the claimed design.

1 Claim, 2 Drawing Sheets



(56)

References Cited

U.S. PATENT DOCUMENTS

D249,279 S * 9/1978 Backlund D24/164
 4,209,919 A 7/1980 Kirikae et al.
 4,325,366 A * 4/1982 Tabor 128/207.16
 4,416,273 A 11/1983 Grimes
 4,484,896 A 11/1984 Kohnke
 4,494,252 A 1/1985 Chaoui
 4,506,665 A 3/1985 Andrews et al.
 4,510,933 A 4/1985 Wendt et al.
 4,582,058 A * 4/1986 Depel et al. 128/207.17
 4,683,916 A 8/1987 Raines
 4,759,356 A * 7/1988 Muir 128/207.16
 4,773,865 A 9/1988 Baldwin
 4,877,025 A * 10/1989 Hanson 128/204.16
 5,005,568 A * 4/1991 Loescher et al. 128/202.28
 5,055,052 A 10/1991 Johnsen
 5,195,896 A 3/1993 Sweeney et al.
 5,238,409 A 8/1993 Brault et al.
 5,259,378 A * 11/1993 Huchon et al. 128/207.16
 5,312,259 A 5/1994 Flynn
 5,314,339 A 5/1994 Aponte
 5,392,775 A * 2/1995 Adkins et al. 128/207.16
 5,738,095 A 4/1998 Persson
 5,746,199 A * 5/1998 Bayron et al. 128/205.24
 5,806,515 A 9/1998 Bare et al.
 6,193,751 B1 * 2/2001 Singer 623/9
 6,334,441 B1 1/2002 Zowtiak et al.
 6,921,417 B2 7/2005 Persson
 7,025,784 B1 4/2006 Blom et al.
 7,063,086 B2 * 6/2006 Shahbazzpour et al. ... 128/205.24
 7,240,676 B2 * 7/2007 Rutter 128/207.16

7,252,110 B2 8/2007 Semeia
 7,311,119 B2 12/2007 Takehana et al.
 8,051,856 B2 11/2011 Bare et al.
 D691,717 S * 10/2013 McLean et al. D24/129
 8,800,565 B1 * 8/2014 Root 128/207.16
 2002/0156527 A1 * 10/2002 Persson 623/9
 2002/0157674 A1 * 10/2002 Shikani et al. 128/207.29
 2004/0123868 A1 * 7/2004 Rutter 128/207.14
 2004/0182446 A1 9/2004 Semeia
 2006/0118190 A1 6/2006 Takehana et al.
 2009/0032028 A1 * 2/2009 Bare et al. 128/207.16
 2012/0012116 A1 1/2012 Bare et al.
 2012/0097170 A1 * 4/2012 Dawson 128/207.16
 2014/0305440 A1 * 10/2014 Root 128/207.16

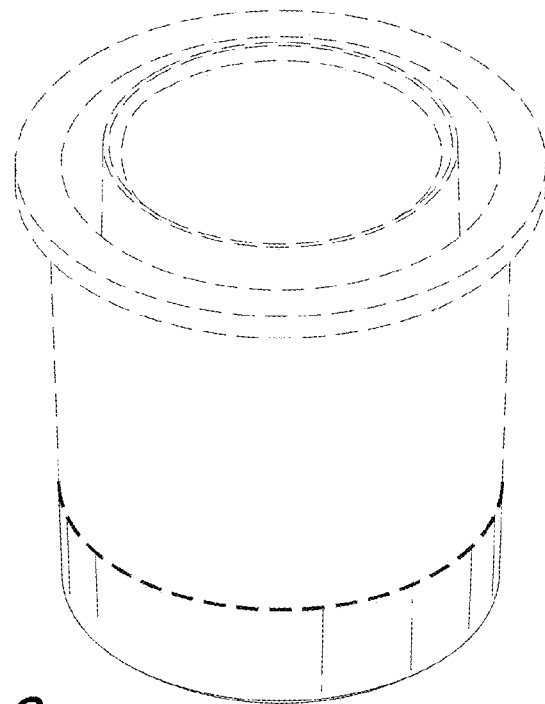
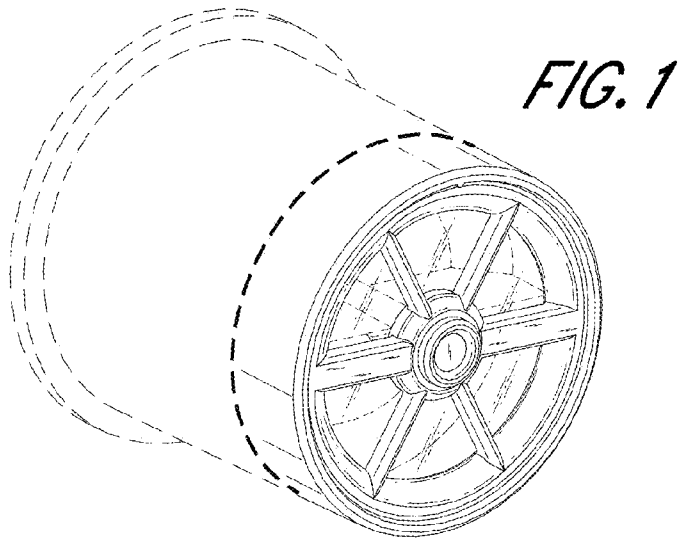
FOREIGN PATENT DOCUMENTS

JP S63-96848 6/1988
 JP 2000-511458 9/2000
 JP 2003-501141 1/2003
 JP 2006-509601 3/2006
 WO WO 86/05102 2/1986
 WO WO 98/43692 10/1998
 WO WO 00/16840 3/2000
 WO WO 02/074377 9/2002
 WO WO 03/061531 7/2003

OTHER PUBLICATIONS

Passy-Muir, Inc., Tracheostomy and Ventilator Speaking Valves
 Instruction Booklet. Copyright 1989.

* cited by examiner



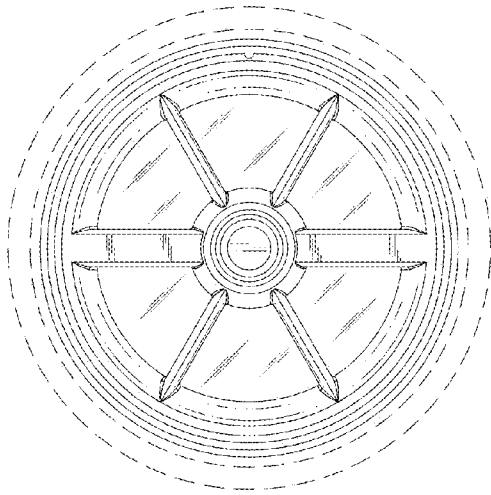


FIG. 3

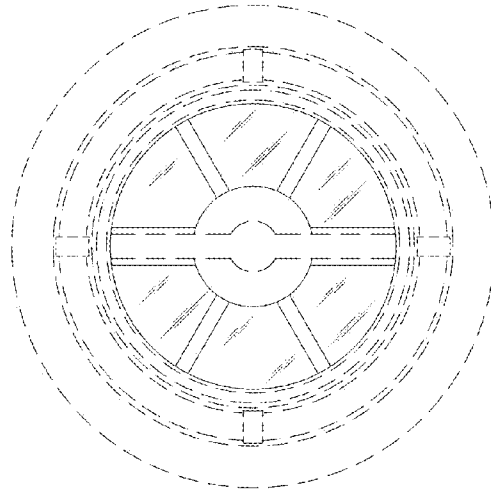


FIG. 4

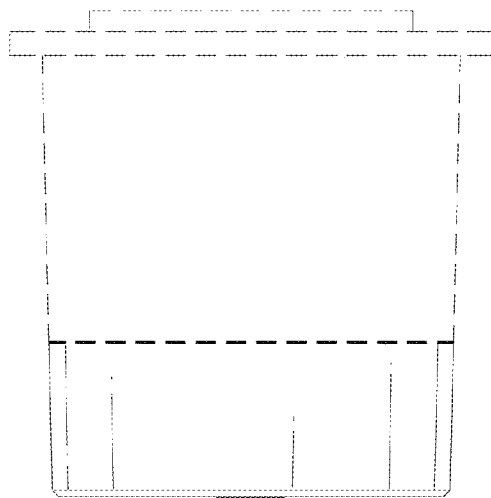


FIG. 5