

(19) World Intellectual Property
Organization
International Bureau



(43) International Publication Date
6 May 2004 (06.05.2004)

PCT

(10) International Publication Number
WO 2004/037423 A2

- (51) International Patent Classification⁷: **B02C**
- (21) International Application Number:
PCT/US2003/033445
- (22) International Filing Date: 22 October 2003 (22.10.2003)
- (25) Filing Language: English
- (26) Publication Language: English
- (30) Priority Data:
60/420,256 22 October 2002 (22.10.2002) US
- (71) Applicant (for all designated States except US): **RADER COMPANIES** [US/US]; Suite 260, 1225 Old Alpharetta Road, Alpharetta, GA 30005 (US).
- (72) Inventor; and
- (75) Inventor/Applicant (for US only): **ELLIOTT, James, C.** [US/US]; 527 Maverick Circle, Spartanburg, SC 29307 (US).
- (74) Agents: **DECARLO, Kean, J.** et al.; Needle & Rosenberg, P.C., Suite 1000, 999 Peachtree Street, Atlanta, GA 30309-3915 (US).
- (81) Designated States (national): AE, AG, AL, AM, AT, AU, AZ, BA, BB, BG, BR, BY, BZ, CA, CH, CN, CO, CR, CU, CZ, DE, DK, DM, DZ, EC, EE, EG, ES, FI, GB, GD, GE, GH, GM, HR, HU, ID, IL, IN, IS, JP, KE, KG, KP, KR, KZ, LC, LK, LR, LS, LT, LU, LV, MA, MD, MG, MK, MN, MW, MX, MZ, NI, NO, NZ, OM, PG, PH, PL, PT, RO, RU, SC, SD, SE, SG, SK, SL, SY, TJ, TM, TN, TR, TT, TZ, UA, UG, US, UZ, VC, VN, YU, ZA, ZM, ZW.
- (84) Designated States (regional): ARIPO patent (GH, GM, KE, LS, MW, MZ, SD, SL, SZ, TZ, UG, ZM, ZW), Eurasian patent (AM, AZ, BY, KG, KZ, MD, RU, TJ, TM), European patent (AT, BE, BG, CH, CY, CZ, DE, DK, EE, ES, FI, FR, GB, GR, HU, IE, IT, LU, MC, NL, PT, RO, SE, SI, SK, TR), OAPI patent (BF, BJ, CF, CG, CI, CM, GA, GN, GQ, GW, ML, MR, NE, SN, TD, TG).
- Published:**
— without international search report and to be republished upon receipt of that report
- For two-letter codes and other abbreviations, refer to the "Guidance Notes on Codes and Abbreviations" appearing at the beginning of each regular issue of the PCT Gazette.*



WO 2004/037423 A2

(54) Title: A HAMMERMILL

(57) Abstract: A hammermill having a housing, a rotor assembly, a plurality of hammers, and a attrition plate assembly is provided to reduce oversized particulate material to a desired size. The housing has a sidewall that extends between an inlet end and an discharge end which defines an enclosed work space. The rotor assembly is disposed within the housing for rotation about a longitudinal axis of the housing. The plurality of hammers is coupled to the rotor assembly and is disposed within the enclosed work space. The attrition plate assembly has a generally circular configuration and is removably secured to the sidewall within the enclosed work space of the housing. The attrition plate assembly is arranged such that a portion of at least one hammer of the plurality of hammers is spaced from and overlies a portion of the first attrition plate assembly so that the at least one hammer and the attrition plate assembly cooperate to reduce particulate material to a desired size and to urge the particulate material toward the discharge end of the housing.

A HAMMERMILL

This application claims priority to and the benefit of U.S. Provisional Application No. 60/420,256, entitled "A Hammermill," filed on October 22, 2002, and is a continuation-in-part of U.S. Utility Patent Application No. 10/150,031, entitled "A Hammermill," filed May 17, 2002, which claims priority to the U.S. Provisional Application No. 60/292,213, entitled "Hammermill," filed May 17, 2001, all of which are incorporated in their entirety in this document by reference.

10

BACKGROUND OF THE INVENTION

Field of the Invention

The present invention relates to impact grinders, hammermills, or the like, and particularly to a screenless hammermill that can be used to reduce the size of material to a desired dimension.

15

Background Art

A number of different industries rely on impact grinders or hammermills to reduce materials to a smaller size. Hammermills are often used to process forestry and agricultural products as well as to process minerals, and for recycling materials. Specific examples of materials processed by hammermills include ore, limestone, coal, railroad ties, lumber, limbs, brush, grains, and even automobiles. Once reduced to the desired size, the material passes out of the housing of the hammermill for subsequent use and further processing. Exemplary embodiments of hammermills are disclosed in U.S. Patent Nos. 5,904,306; 5,842,653; 5,377,919; and 3,627,212, all of which are incorporated herein in their entireties.

20

25

Hammermills - also generally referred to as crushers or shredders - typically include a steel housing or chamber containing a plurality of hammers mounted on a rotor and a suitable drive train for rotating the rotor. As the rotor turns, the correspondingly rotating hammers come into engagement with the material to be comminuted or reduced in size. Hammermills typically use grates formed into and circumscribing a portion of the interior surface of the

30

housing. The size of the particulate material is controlled by the size of the screen apertures against which the rotating hammers force the material. Unfortunately, in prior art hammermills, material can "short circuit" or by-pass the hammers by being forced through the apertures in the grates or screens
5 before being thoroughly processed or sized.

Furthermore, the prior art grates or screens can become restricted and plugged with the materials being reduced, which, in turn, reduces the throughput and efficiency of the hammermill. In particular, wood that has a "stringy bark," such as poplar, hickory, and eucalyptus, is very problematic for
10 the grates and thus is not effectively reduced using a prior art hammermill because materials tend to straddle the apertures and to build up therein, resulting in the apertures becoming plugged or partially deformed which does not allow material of a desired size to pass through the plugged or deformed aperture(s) and reduces throughput and efficiency of the hammermill. Thus,
15 the higher energy costs and the cost of the need for frequent repair and replacement of the grate or screen represents a significant ongoing financial outlay.

There is a need, therefore, for an improved hammermill adapted for use with any desired materials to be processed, and which will increase the
20 likelihood of the materials passed therethrough being thoroughly processed, at least to the extent desired.

SUMMARY

The present invention provides an improved hammermill which
25 overcomes some of the design defects of the known hammermills. The hammermill of the present invention comprises a housing, a rotor assembly disposed within the housing for rotation about a longitudinal axis of the housing, a plurality of hammers coupled to the rotor assembly, and an attrition plate assembly secured to a sidewall of the housing. The housing has an
30 inlet end defining an inlet opening, a discharge end, with the longitudinal axis of the housing extending therebetween. The sidewall of the housing extends between the inlet end and the discharge end. The housing further defines a primary reduction chamber, an adjoining secondary reduction chamber, and,

if used, a tertiary reduction chamber. In one embodiment, the sidewall of the housing and the inlet opening define a partially enclosed work space in the primary reduction chamber, and, in the secondary reduction chamber, the sidewall of the housing defines an enclosed work space. If used, the sidewall
5 of the housing and the inlet opening define a partially enclosed work space in the tertiary reduction chamber.

In one aspect, the plurality of hammers is disposed in the reduction chambers. Each hammer in the plurality of hammers is selected from a group consisting of fixed hammers, swing hammers, of a combination thereof.

10 In one example the attrition plate assembly is removably secured to the sidewall of the housing within the primary, secondary, and, if used, tertiary reduction chambers so that the hammers are spaced from and overlie a portion of the attrition plate assembly. In this overlying and spaced relationship, the hammers and attrition plate assembly cooperate to urge
15 particulate material toward the discharge end of the housing. Preferably, the portion of the attrition plate assembly that is secured within the secondary reduction chamber has a generally circular configuration and defines a substantially continuous work surface. Similarly, the portion of the attrition plate assembly that is removably secured within the primary and tertiary
20 reduction chambers has a semi-circular configuration that, while defining a discontinuous work surface, is generally continuous along its arcuate length.

BRIEF DESCRIPTION OF THE FIGURES OF THE DRAWINGS

25 These and other features and aspects of the present invention will become better understood with reference to the following description, appended claims, and accompanying drawings, where: These and other features and aspects of the present invention will become better understood with reference to the following description, appended claims, and
30 accompanying drawings, where:

Fig. 1A. is a perspective view of a preferred embodiment of the present invention with a portion of a sidewall of the hammermill removed;

Fig. 1B. is a second perspective view of the present invention;

Fig. 2 is a side cross-sectional view of an exemplary embodiment of the present invention;

5

Fig. 3 is a cross-sectional view taken along line 3-3 of Fig. 1 showing a first plurality of hammers and a first attrition plate assembly in a secondary reduction chamber of the housing;

10 Fig. 4 is a cross-sectional view taken along line 4-4 of Fig. 1 showing a second plurality of hammers and a second attrition plate assembly in a primary reduction chamber of the housing;

15 Fig. 5A is a top plan view of one embodiment of an attrition impact plates used with the exemplary embodiment of the present invention, the attrition impact plates shown releasably engaged to a portion of the sidewall of the hammermill;

20 Fig. 5B is a side cross-sectional view taken along line 5-5 of Fig. 5A;

Fig. 6 is a top plan view of an alternate embodiment of an attrition impact plates used with the exemplary embodiment of the present invention, the attrition impact plates shown releasably engaged to a portion of the sidewall of the hammermill;

25

Figs. 7A and 7B are perspective views of two alternate two-plate embodiments of the attrition impact plates;

30 Figs. 8A, 8B, and 8C are schematic top plan views of a hammer for use with the exemplary hammermill, in which the hammer moves or rotates in the direction of the three arrows shown in Fig. 8A;

Fig. 9 is an cross-sectional view of an alternate embodiment of the hammermill of Fig. 2 that includes two rings used to impede the flow of particulate materials as they move longitudinally through the hammermill;

5 Fig. 10 is an end view taken along line 10-10 of Fig. 9 showing an exemplary ring, in which the illustrated ring includes three alternate edge constructions, namely, a solid ring, a saw-tooth ring, and a gap-tooth ring design;

10 Fig. 11 is an cross-sectional view of an alternate embodiment of the hammermill that includes one ring used to impede the flow of particulate materials as they move longitudinally through the hammermill and a tertiary reduction chamber having a grate assembly and a third plurality of hammers;

15 Figs. 12A and 12B are cross-sectional end views taken along line 12-12 of Fig. 11 showing a grate assembly;

Fig. 13 is a top plan view of an alternative embodiment of a hammer;

20 Fig. 14 is an end plan view of the hammer of Fig. 13;

Fig. 15 is a side plan view of the hammer of Fig. 13;

25 Fig. 16 is a perspective view of the alternative embodiment of a hammer;

Fig. 17 is a perspective view of the alternative embodiment of the hammer shown in Fig. 16, disposed onto a rotor assembly of the hammermill;

30 Fig. 18 is a schematic top plan view of the hammer shown in Fig. 16 for use with the exemplary hammermill, in which the hammer moves or rotates in the direction of the rotation arrow;

Figs. 19A and 19B are end views taken along line 19-19 of Fig. 11 showing an exemplary ring, in which the illustrated ring includes a gap-tooth ring design;

5 Fig. 20 is a partial cross-sectional view of an alternate embodiment of the hammermill that includes one ring used to impede the flow of particulate materials as they move longitudinally through the hammermill and a tertiary reduction chamber having a grate assembly and a third plurality of hammers;

10 Fig. 21 is a perspective view of a rotor assembly of the hammermill of Fig. 19 with the first, second, and third plurality of hammers, coupled thereto; and

15 Fig. 22 is a perspective view of the rotor assembly of Fig. 20 showing a plurality of wing members connected to one disk of a plurality of disk members, the wing members constructed and arranged for connection to a portion of a hammer so that the hammer may be fixed relative to the disk and the rotor assembly.

20 DETAILED DESCRIPTION OF THE INVENTION

The present invention is more particularly described in the following exemplary embodiments that are intended as illustrative only since numerous modifications and variations therein will be apparent to those skilled in the art. As used herein, "a," "an," or "the" can mean one or more, depending upon
25 the context in which it is used. The preferred embodiments are now described with reference to the figures, in which like reference characters indicate like parts throughout the several views.

The present invention comprises a hammermill 10 as shown generally in Figs. 1A-12B and 20. The hammermill 10 of the present invention is
30 adapted for reducing wood or similar fibrous materials (*i.e.*, for use as a hammermill 10 which is typically referred to as a hog or a wood/bark hog), but one skilled in the art will appreciate that the design features of the present

invention are applicable to comminute other types of friable materials, such as coal, minerals, agricultural products, and the like.

Referring first to Figs. 1A-4, an exemplary embodiment of the hammermill 10 of the present invention is shown. In one embodiment, the hammermill 10 has an elongate housing 20 with an inlet end 22 for receiving oversized particulate materials, a spaced discharge end 24 for exiting desired sized particulate materials, and a sidewall 26 extending between the inlet end 22 and the discharge end 24. The sidewall 26 may have a substantially uniform curvature, for example, the sidewall 26 may be cylindrical, or otherwise form a cylinder. An inlet opening 23 is defined in the sidewall 26 of the housing 20 proximate the inlet end 22 thereof and a discharge opening 25 is defined in the sidewall 26 of the housing 20 proximate the discharge end 24 thereof. In one example, the inlet opening 23 is formed above the longitudinal axis of the housing 20 and the discharge opening 25 is positioned below the longitudinal axis of the housing 20.

As shown, the hammermill 10 also includes a rotor assembly 30 that is disposed within the housing 20 for reducing the oversized particulate materials to the desired size particulate materials. The rotor assembly 30 is adapted for rotation about the longitudinal axis of the housing 20. The rotor assembly 30 is conventional and may include a rotatable shaft 32 that extends along the longitudinal axis and conventional support means extending radially from the shaft 32. The support means may include, for example, conventional disks 34 and support rods 36 extending longitudinally through the disks 34 parallel to the rotor shaft 32, or conventional spiders. In one example, shown in Figs. 21 and 22, each disk of the plurality of disks may have a plurality of wing-shaped members 500 connected thereto. In this example, opposing disks would have pairs of opposing wing shaped members 500 that are constructed and arranged for connection to a portion of a hammer such that the hammer may be fixed relative to the disk and thus relative to the rotor assembly.

One design feature of the exemplary embodiment is the flow of the particulate materials being comminuted, such that the particulate materials flow longitudinally through the length of the housing 20. As used herein,

“longitudinally” refers to the direction that the rotor assembly 30 extends and, more specifically, to the longitudinal axis of the hammermill 10 housing 20 that traverses through the center of the rotor shaft 32 and along its length. As will be noted in Figs. 1A-2, the particulate materials to be reduced are fed into one longitudinal end of the hammermill 10 and, while being processed, concurrently traverse longitudinally downstream through the hammermill 10 to be ultimately discharged from the opposed discharge end 24 of the housing 20.

In comparison, typical prior art systems, such as those disclosed in U.S. Patent Nos. 5,904,306, 5,377,919, and 3,627,212, feed particulate materials into an infeed opening that extends along the entire, or substantially the entire, longitudinal length of the processing section of the hammermill. As one skilled in the art will appreciate, hammermills that feed particulate materials along the entire longitudinal length typically discharge the processed particulate materials out the bottom of the housing through sizing grates or plates with sizing holes. The discharge area is usually restricted to 180° or less of the housing and will thus “recycle” particulate material that is not yet sized to pass through the discharge openings or that cannot otherwise pass through the openings because of the sheer volume of particulate material being processed at the moment. During the recycling of the particulate material, the particulate materials are moved about the rotor assembly and back to the lower reduction area such that very little size reduction of the particulate materials occurs, resulting in machine inefficiencies and energy being wasted. As discussed in more detail below, the preferred hammermill design of the present invention processes materials through approximately 270° about the rotor assembly 30 in a primary reduction chamber 40 and a full 360° about the rotor assembly 30 in a secondary reduction chamber 50, allowing for a more efficient and smaller machine.

Still referring back to Figs. 1A-4, the housing 20 of the hammermill 10 further defines the primary reduction chamber 40 and the adjoining secondary reduction chamber 50. The sidewall 26 of the housing 20 and the inlet opening 23 define a partially enclosed work surface in the primary reduction

chamber 40. Similarly, the sidewall 26 of the housing 20 defines an enclosed work space in the secondary reduction chamber 50. In the primary reduction chamber 40, the hammermill 10 is enclosed for approximately 180° to 320° around its interior periphery or circumference, in which the portion of the housing 20 not enclosed forms the inlet opening 23 to feed particulate material into the interior of the housing 20.

In the secondary reduction chamber 50, the hammermill 10 is completely enclosed around its interior periphery or circumference. As one skilled in the art will appreciate, prior art hammermills do not include a secondary reduction chamber. That is, prior art designs only use the equivalent of a primary reduction chamber 40 because all portions of the housing 20 that reduce the particulate materials are typically open to allow feeding of the particulate materials directly to that longitudinal section of the housing 20.

The hammermill 10 also includes at least a first plurality of hammers 60 coupled to the rotor assembly 30 that cooperates with a first attrition plate assembly 70 that is removably secured to the sidewall 26 of the housing 20. The first plurality of hammers 60 is disposed intermediate the inlet end 22 and the discharge end 24 of the housing 20 and within the secondary reduction chamber 50 thereof. The first attrition plate assembly 70 has a generally circular configuration and is also disposed intermediate the inlet end 22 and the discharge end 24 of the housing 20, and within the secondary reduction chamber 50 of the housing 20. The first attrition plate assembly 70 thus defines a substantially continuous first work surface 80 in the enclosed work space that extends about the rotor assembly 30 and the hammers.

Preferably, the continuous first work surface 80 has a generally cylindrical shape and encloses the first plurality of hammers 60 that are disposed in the secondary reduction chamber 50. Thus, in use, at least a portion of each hammer 90 of the first plurality of hammers 60 closely overlies a portion of the first attrition plate assembly 70 so that the hammers of the first plurality of hammers 60 cooperate with the first work surface 80 of the first attrition plate assembly 70 to form the desired sized particulate material and to urge the particulate material toward the discharge end 24 of the housing 20.

The hammermill 10 may also include a second plurality of hammers 62 coupled to the rotor assembly 30 that is disposed proximate the inlet end 22 of the housing 20 and adjacent the first plurality of hammers 60. The second plurality of hammers 62 is positioned within the primary reduction chamber 40 of the housing 20. In one example, at least a portion of the second plurality of hammers 62 is positioned so that it underlies the inlet opening 23 of the housing 20. In this embodiment, the housing 20 includes a second attrition plate assembly 72 that has a generally semi-circular configuration extending about the rotor assembly 30 and the hammers. The second attrition plate assembly 72 cooperates with the second plurality of hammers 62. The second attrition plate assembly 72 defines a discontinuous second work surface 82, *i.e.*, a semi-circular work surface, that is, however, generally continuous along its arcuate length. The second attrition plate assembly 72 is removably secured within the housing 20 adjacent to the inlet end 22 of the housing 20 and the first attrition plate assembly 70, *i.e.*, within the primary reduction chamber 40. At least a portion of each hammer 90 of the second plurality of hammers 62 closely overlies a portion of the second attrition plate assembly 72 so that the hammers of the second plurality of hammers 62 cooperate with the second work surface 82 of the second attrition plate assembly 72 for initial commutation of the oversized particulate materials and to urge the particulate material towards the discharge end 24 of the housing 20, and, more particularly, to urge the particulate material longitudinally downstream toward the first plurality of hammers 60 and the first attrition plate assembly 70.

As one skilled in the art will appreciate, the first and second attrition plate assemblies 70, 72 together form a composite attrition plate assembly 74 that is disposed within both of the primary and the secondary reduction chambers 40, 50, respectively. Similarly, the first and the second plurality of hammers 60, 62 together form a composite plurality of hammers 64 disposed within both of the respective primary and secondary reduction chambers 40, 50. As one skilled in the art will further appreciate, each hammer 90 is conventionally coupled to the support means of the rotor assembly 30.

Each hammer 90 has an outer tip 91 which defines a hammer rotation radius H_r about the longitudinal axis of the housing 20 of the hammermill 10. The first and second work surfaces 80, 82 of the respective first and second attrition plate assemblies each have a radius of curvature P_r about the
5 longitudinal axis of the housing 20 that is greater than the hammer rotation radius. Preferably, the first and second attrition plate assemblies of the attrition plate assembly 74 are arranged such that at least a portion of the
10 outer tip 91 of each hammer 90 is spaced from the highest portion of the respective first and second work surfaces 80, 82 in the range of from 0.125 to 1.5 inches. More preferably the hammers 90 are spaced from the work surfaces from between 0.06 to 2.0 inches, and, still more preferably, from between 0.01 to 3.0 inches.

One skilled in the art will appreciate that the completely enclosed secondary reduction chamber 50 will comminute the particulate materials
15 more efficiently than the primary reduction chamber 40 because the particulate materials being comminuted do not have any reprieve from the rotating hammers 90 which continuously "sandwich" and/or "scissor" the particulate material between the first attrition plate assembly 70 and the rotating hammers of the first plurality of hammers 60.

20 To ensure that no material is discharged that has not been appropriately sized, in an alternative embodiment, and as shown in Figs. 11, 12A, 12B, and 20, the housing of the hammermill may define a tertiary reduction chamber 52 that adjoins the secondary reduction chamber 50. Here, the sidewall of the housing and a screen bar assembly or grate
25 assembly 400, which is disposed in the discharge opening 25 define the tertiary reduction chamber. In the tertiary reduction chamber, the hammermill is enclosed for approximately 180° to 320° around its interior periphery or circumference, in which the portion of the housing 20 not enclosed forms the discharge opening 25 for discharge the particulate matter from the interior of
30 the housing. Thus, when positioned in the discharge opening, the grate assembly 400 extends approximately 40° to 180° about the longitudinal axis of the hammermill.

In one example, the grate assembly may include a plurality of screen bars 402 having a generally rectangular cross-section. In one example, each screen bar of the plurality of screen bars is mounted in the discharge opening so that they extend substantially parallel to the longitudinal axis of the housing. Thus, in this example, the length of the bars is selected to be substantially equal to the longitudinal width of the discharge opening. For some applications, slots or grooves (not expressly shown) may be formed within opposite side of the housing forming the discharge opening to receive respective ends of each screen bar. Various techniques which are well known in the art may be used to mount the grate assembly within the discharge opening adjacent to the rotor assembly 30. Attrition plates 404 may be removably secured to the sidewall of the housing within the tertiary reduction chamber to further commutate the material passing through the tertiary reduction chamber.

A third plurality of hammers 406 is coupled to the rotor assembly 30 and cooperates with the grate assembly 400 and, if included, the attrition plates of the third attrition plate assembly 403. In this embodiment, the third attrition plate assembly 403 that has a generally semi-circular configuration extending about the rotor assembly 30 and the hammers of the third plurality of hammers. As one will appreciate, the third attrition plate assembly cooperates with the third plurality of hammers as well as the grate assembly. The third attrition plate assembly defines a discontinuous second work surface 408, *i.e.*, a semi-circular work surface, that is, however, generally continuous along its arcuate length. The third attrition plate assembly is removably secured within the housing 20 adjacent to the discharge end 24 of the housing 20 and the first attrition plate assembly 70. At least a portion of each hammer 90 of the third plurality of hammers closely overlies a portion of the third attrition plate assembly 403 so that the hammers of the third plurality of hammers cooperate with the third work surface 408 of the third attrition plate assembly for continual commutation of oversized particulate materials and to urge the particulate material towards the discharge end 24 of the housing 20.

The screen bars of the grate assembly cooperate with the third plurality of hammers to reduce the size of material that is feed into the tertiary reduction chamber 52. The screen bars 402 may be spaced apart a predetermined distance sufficient for material that enters the tertiary reduction chamber and which has been commutated to the desired size in the primary and secondary reduction chambers to pass through the space between the bars without further processing. Thus, only material entering the tertiary reduction chamber that requires further commutation will be acted on by cooperation of the third plurality of hammers 406 and the grate assembly 400.

5

10 The primary and secondary reduction chamber should affect the majority of the commutation of material. Thus, the tertiary reduction chamber may allow for more uniform production of commutated material while still minimizing the power required to operate the hammermill.

As known, each hammer 90 of the plurality of hammers 64 may comprise a swing hammer. In such an example, all of the hammers in the primary, secondary, and tertiary reduction chambers 40, 50, 52 may, respectively, comprise swing hammers. In an alternate example, each of the hammers 90 of the first, second, and third plurality of hammers 60, 62, 406 may be selected from a group consisting of fixed hammers, swing hammers, or a combination thereof. Thus, swing and/or fixed hammers may be disposed in the primary, secondary, and tertiary reduction chambers of the hammermill 10, as desired.

15

20

Prior art hammermills typically use only swing hammers, which are hammers that are pivotally mounted to the rotor assembly and are oriented outwardly from the center of the rotor assembly by centrifugal force. Swing hammers are often used instead of rigidly connected hammers in case tramp metal, foreign objects, or other non-crushable matter enters the housing with the particulate material to be reduced, such as wood and bark. If rigidly attached hammers contact such a non-crushable foreign object within the housing, the consequences of the resulting contact may be severe. Swing hammers, in comparison, provide a "forgiveness" factor because they will lie back out of position when striking non-crushable foreign objects.

25

30

In one example, the hammermill 10 of the present invention uses a combination of rigid and swing hammers. The hammers 90 that are disposed in the primary reduction chamber 40 are swing hammers to account for potential hazards, such as the inadvertent introduction of tramp metal or overfeeding. In comparison, the hammers 90 that are disposed in the secondary and tertiary reduction chambers of the hammermill 10 are selected from the group comprising fixed hammers, swing hammers, or a combination thereof. Preferably, the hammers 90 that are disposed in the secondary reduction chamber 50 are rigid hammers, which are fixedly and stationarily positioned relative to the rotor shaft 32 and generally extend normal to the rotor shaft 32. The rigid hammers increase the efficiency of the hammermill 10 because there is increased energy transferred from the rotor assembly 30 to a rigid hammer as compared to the energy transfer to a swing hammer that is pivotally mounted to the rotor assembly 30.

One skilled in the art will appreciate that although swing hammers are safer, they become less efficient at higher throughputs because they “lay back” with the increased volume of particulate material being processed, something that does not occur with rigid hammers. In addition, one skilled in the art will further appreciate that the increased energy transfer between the rotor assembly 30 and the rigid hammers 90, coupled with the secondary reduction chamber 50 having a contiguous work surface, makes the secondary reduction chamber efficient. However, as noted above, it is within the scope of the present invention to use the same “category” of hammer throughout the longitudinal length of the hammermill 10, *i.e.*, all swing hammers or all rigid hammers. It is also contemplated that, regardless of the categories of hammers 90 included, either to stagger or not to stagger the hammers, for example, the hammers may be staggered in a helical pattern.

For effective reduction in hammermills 10 using swing hammers, the rotor speed must produce sufficient centrifugal force to hold the hammers in the fully extended position while also having sufficient hold out force to effectively reduce the material being processed. Depending on the type of material being processed, the minimum hammer tips speeds of the hammers are usually 6,000 to 11,000 feet per minute (“FPM”). In comparison, the

maximum speeds depend on shaft and bearing design, but usually do not exceed 15,000 FPM. In special high-speed applications, the hammermills can be designed to operate up to 21,000 FPM. Because rigid or fixed hammers do not depend on centrifugal force to hold them in position, the hammers can be operated at much lower speeds and, depending on the materials being reduced and the application requirements, remain effective. However, tip speeds of more than 2,000 FPM might be appropriate for some applications.

Referring to the figures, each of the respective first, second, and third attrition plate assemblies comprises a plurality of adjoining attrition impact plates 75. Preferably, each attrition impact plate 75 has a curvilinear inner surface 76. In use, the individual attrition impact plates 75 are positioned along or on the interior surface of the housing 20 of the hammermill 10 so that the interior surface of the hammermill 10 may be partially or completely lined with the attrition impact plates 75. In one example, at least two attrition impact plates 75 are positioned so that the curvilinear inner surfaces 76 of the adjoining attrition impact plates form the contiguous first work surface 80 within the secondary reduction chamber 50. In another example, at least two attrition impact plates 75 are positioned so that the curvilinear inner surfaces 76 of the adjoining attrition impact plates form the second work surface 82 within the primary reduction chamber 40.

At least one of the attrition impact plates 75 preferably has discontinuities formed on or defined within an otherwise smooth arcuate surface in order to increase the shearing action imparted by the rotating hammers. The attrition impact plates 75 having such discontinuities have at least one elevated male protrusion 78 extending from the inner surface 76 of the impact plate to form "positive" discontinuous surfaces that act as cutting edges. Alternately, the attrition impact plates could have at least one female depression 79 in the inner surface 76 to form a recessed or "negative" discontinuous surface. The elevated surface of the attrition impact plate having the male protrusions could, for example, be a casting, while the recessed surface having the female depression 79 could, for example, be a casting or be made from wear resistant plate steel as a two plate laminate, in

which the bottom plate protects the sidewall 26 of the housing 20 of the hammermill 10 from wear.

Each male protrusion 78 and female depression 79 defines a geometric shape. Any geometric shape is contemplated, such as, for example, circles, ovals, triangles, trapezoids, squares, arrows, elliptical shapes, rectangles, polygons, and the like. It is also contemplated that any combination of such geometric shapes may be used on any one or more of the attrition impact plates 75. Further, it is contemplated that various sizes of the selected geometric shapes may be used.

In addition, it is also contemplated that the attrition impact plates 75 will have a height difference between the low and high points of from one-eighth (1/8) to one (1) inch. These preferred heights are sufficient to contribute to shearing the particulate material being processed, but are not deep enough so that tramp metal or other non-crushables can catch thereon and otherwise damage the rotating hammers 90 and/or the attrition impact plates 75. In comparison, because prior art units use either bar grates or screen plates for sizing, they are likely to suffer much more severe damage from tramp metal than the attrition impact plates 75 of the present invention.

Referring now to Fig. 5A, one embodiment of the attrition impact plates 75 is shown having a plurality of triangle-shaped male protrusions. In conjunction, Fig. 5B shows a side cross-sectional view of the triangle-shaped protrusion attrition plates. In this example, each triangle-shaped male protrusion 78 has an apex that extends generally toward and in opposition to a portion of the discharge end 24 of the housing 20. Further, at least a portion of a base of each triangle-shaped male protrusion 78 is opposed to a portion of the inlet end 22 of the housing 20. Preferably, each triangle-shaped male protrusion 78 extends generally parallel to the longitudinal axis of the housing 20. Referring to Fig. 6, an example of an attrition impact plate having a plurality of trapezoid-shaped male protrusions 78 is shown. In this example, the trapezoid-shaped male protrusions are preferably oriented with respect to the inlet and discharge ends 22, 24 in like fashion to the triangle-shaped male protrusions described above.

In yet another example, the geometric shape selected for a male protrusion 78 extending from the attrition impact plates 75 may be a rectangle. Here, the male rectangular geometric shape forms a bar that extends along the width of each attrition impact plate. Preferably, in this example, each attrition plate assembly has a plurality of parallel bars that are spaced apart in the arcuate length direction and that extend parallel to the longitudinal axis of the housing 20.

In heretofore unknown fashion and as described in more detail below, the geometric shaped male protrusions and female depressions create a discontinuous surface over at least a portion of the inner surface 76 of the attrition impact plates 75 lining at least a portion of the interior of the housing 20 that act to assist in directing the material downstream toward the discharge end 24 of the housing 20. The geometric shaped male protrusions and female depressions also increase the efficiency of the downstream processing of particulate material. For example, a "scissors" action may be created between a portion of an impact end 92 of the hammer 90 and portions of the attrition impact plates' geometric-shaped protrusion and/or depression, which assists in reducing the particulate material being comminuted - particularly stringy wood particulate material.

A consideration in using the attrition impact plates 75 having the geometric shapes thereon involves the replacement of the plates after they wear during normal operations of an extended duration. Referring now to Figs. 7A and 7B, examples of an alternate embodiment using the female depression geometric shapes are shown. Here, there are two adjoining plates. The lower or outer plate 71 is solid, whereas the upper or inner plate 73 is formed of abrasion-resistant plate steel having "burn out" holes. These two plates are laminated together. This example is a low cost construction and provides for ease of installation which allows worn plates to be replaced inexpensively and quickly.

Referring to Figs. 1A-4 and 8A-8C, one example of a hammer 90 is shown. In this example, the impact end 92 of each hammer 90 of the first and second plurality of hammers 60, 62 has a proximal end 93, a spaced distal end 94, and a pair of opposing side edges 95 extending between the

proximal and distal ends of the hammer 90. The proximal end 93 of the impact end 92 of the hammer 90 has a first width w_1 and the distal end 94 has a second width w_2 . In one example, the first width of the impact end of the hammer 90 may be substantially the same as the second width, however, in another example, the first width of the impact end of the hammer is greater than the second width so that at least one of the side edges 95 is tapered from the proximal end 93 to the distal end 94 of the impact end of the hammer 90. In use, each hammer 90 is positioned so that at least a portion of the proximal end 93 of the hammer impact end opposes the inlet end 22 of the housing 20.

The impact end 92 of the hammer 90 also has a bottom surface 97 that extends between the two side edges 95, at least a portion of which defines a concave shape. In addition, at least one of the side edges 95 of the impact end 92 of the hammer defines an impact edge 96 extending for at least a portion of the side edge 95. Preferably, both of the side edges have an impact edge 96 so that the hammermill 10 may be effectively operated when the rotor assembly 30 of the hammermill 10 is rotated in either a clockwise or a counter-clockwise direction.

Referring now to Figs. 8A-8C, in these top plan views the respective impact ends of the hammers are moving or rotating in the direction of the three arrows shown in Fig. 8A, the two arrows in Fig. 8B, and the single arrow in Fig. 8C. Starting with Fig. 8A, this example shows a side edge 95 of a square impact end, in which the first width of the impact end is substantially the same as the second width, in contact with the particulate material being reduced and the resulting force vectors that cause the struck particulate material to move in the same direction as the impact end of the hammer 90 is moving. As a result of being struck, there is no substantial sideways movement of the particulate material because the impact end 92 of the hammer does not have a tapered side edge 95. Figs. 8B and 8C, in comparison, show a tapered side edge 95 on the impact end of the hammer. As represented by the arrows, the force vectors to the side are larger in Fig. 8B than Fig. 8A and largest in Fig. 8C.

As one skilled in the art will further appreciate, since the hammers are continuously rotating about the rotor at the same longitudinal location within the respective primary and secondary reduction chambers 40, 50 of the hammermill 10, the sideways motion of the particulate material being struck by the hammer 90 causes that particulate material to move longitudinally along the housing 20 relative to the longitudinally-stationary hammer. That is, the longitudinal direction in Figs. 8A-8C is the direction that the two arrows in Fig. 8C are pointed. Accordingly, the pitch or angle of the tapered side edge 95 of the impact end 92 in Figs. 8B and 8C relative to the body/shank of the hammer (or relative to the longitudinal axis of the housing 20) has two interrelated functions: (1) to vary the degree to which the particulate material being processed is reduced/shredded; and (2) to affect the speed and direction that the particulate material being processed flows longitudinally through the hammermill 10 (*i.e.*, strong centrifugal forces hold the particulate material towards the attrition impact plates 75 of the hammermill 10 which allows the particulate material to be “plowed” downstream through the housing 20).

Further, as noted above, the particulate materials may be urged downstream toward the discharge end 24 of the housing 20 through the cooperative interaction of the side edges 95 of the impact end 92 of the hammers and the male protrusions (or female depressions) formed in the attrition impact plates 75. For example, if a male protrusion 78 having a triangle shape is formed on the attrition impact plate and, as in Fig. 8A, the impact end of the hammer 90 has a square shape, in which the first width of the impact end is substantially the same as the second width, a “square” side edge 95 would come into proximity to the “tapered” side of the triangle-shaped male protrusion which would effect the “scissoring” action while contacting the particulate material being reduced. The “scissoring” action would impart a force vector that would urge the particulate material downstream. Thus, as a result of so being struck, there would be sideways movement of the particulate material even though the impact end 92 of the hammer 90 does not have a tapered side edge 95. It is preferred that the side edge 95 of the impact end 92 be tapered to some degree in order to

encourage the efficiency of the downstream movement of the particulate material imparted by the hammers 90.

As will be appreciated, there are numerous interrelated factors that can affect the rate of longitudinal movement of the particulate material through the hammermill 10, including the degree of taper of the impact ends of the hammers. Thus, it is contemplated that the impact ends of the hammers shown in Figs. 8A-8C will be interchangeable on a single hammermill 10, making one hammermill 10 structure appropriate to process different types of materials or to reduce a given material to a different degree/size simply by changing the impact ends of the hammers. One skilled in the art will appreciate that the respective configuration of impact ends of the hammers do not need to be consistent throughout the machine and, for example, may vary from row to row along the rotor assembly 30.

Referring to Figs. 13-18, an alternative embodiment of the hammer 90 is shown. In this embodiment, the hammer has an impact end 192, a connection portion 200, and a shank portion 210 extending between the impact end and the connection end. The impact end 192 of each hammer 90 has a proximal end 193, a spaced distal end 194, and a pair of opposing side edges 195 extending between the proximal and distal ends of the hammer 90. The impact end 92 of the hammer 90 has a hammer longitudinal axis h extending between the proximal and distal ends. As shown in the top plan view 13, the longitudinal axis of the impact end of the hammer is angled with respect to the longitudinal axis L of the hammermill. The angle θ may be from approximately 0° to approximately 75° , or more preferably from approximately 1° to approximately 60° . In one example, at least one of the side edges of the impact end is substantially parallel to the hammer longitudinal axis h . In an alternative example, both side edges of the impact end are substantially parallel to the hammer longitudinal axis h .

The shank portion 210 has a first shank surface 212 that extends to a first shank edge 214 and a second shank surface 216 that extends to a second shank edge 218. In one example, the first and second shank edges extend between the connection portion and the impact end. Further, in one example, at least a portion of the shank portion 210 of the hammer is also

angled with respect to the longitudinal axis of the hammermill such that the first and second shank surfaces are angled with respect to the longitudinal axis of the hammermill. In this example, at least one of the first shank surface or the second shank surface may be parallel to the hammer
5 longitudinal axis h. Further, the first and second shank surfaces may be substantially co-planar. Thus, the shank portion of the hammer 90 may be at the same angle as the hammer longitudinal axis of the impact end of the hammer. In use, and as shown in Fig. 16, each hammer 90 is positioned so all of the hammers have the same respective side edge oriented downstream
10 toward the discharge opening 25 of the housing 20.

The impact end 192 of the hammer 90 also has a bottom surface 197 that extends between the two side edges 195, at least a portion of which defines a convex shape. The convex shape preferably is complementary to the radius of curvature of the respective attrition plates and the sidewall of the
15 housing. In one aspect, the connection 200 portion defines at least one bore 202 extending therethrough. The bore 202 extends substantially parallel to the longitudinal axis of the housing when coupled in a conventional manner to the support means of the rotor assembly.

In addition, at least one of the side edges 195 of the impact end 192 of
20 the hammer defines an impact edge 196 extending for at least a portion of the side edge 195. Preferably, both of the side edges have an impact edge 196 so that lifetime of the hammers may be extended by simply removing and reversing the hammers. In a further example, a portion of the each of the first and second shank surfaces may define a male protrusion 199 proximate the
25 respective proximal and distal ends of the impact end of the hammer. In use, the male protrusion can act as a chisel. In one example, a portion of the first shank surface that adjoins a portion of the impact edge and a portion of the first shank edge defines a first male protrusion 199' that extends from the portion of the first shank surface. Similarly, a portion of the second shank
30 surface that adjoins a portion of the impact edge and a portion of the second shank edge defines a second male protrusion 199" that extends from the portion of the first shank surface.

Referring now to Fig. 18, in this top plan view the respective impact ends of the hammers are moving or rotating in the direction of the rotation arrow. Because of the angle of the impact face of the hammer, the impact edge 196 of the hammer as well as a portion of the angled body of the hammer input a downstream force vector on material encountering the hammer.

As one skilled in the art will further appreciate, since the hammers are continuously rotating about the rotor at the same longitudinal location within the respective primary and secondary reduction chambers 40, 50 of the hammermill 10 (and, if used, the tertiary reduction chamber), the sideways motion of the particulate material being struck by the hammer 90 causes that particulate material to move longitudinally along the housing 20 relative to the longitudinally-stationary hammer. Accordingly, the pitch or angle of the tapered side edge 195 of the impact end 192 relative to the longitudinal axis of the housing 20) has two interrelated functions: (1) to vary the degree to which the particulate material being processed is reduced/shredded; and (2) to affect the speed and direction that the particulate material being processed flows longitudinally through the hammermill 10 (*i.e.*, strong centrifugal forces hold the particulate material towards the attrition impact plates 75 of the hammermill 10 which allows the particulate material to be "plowed" downstream through the housing 20).

Further, as noted above, the particulate materials may be urged downstream toward the discharge end 24 of the housing 20 through the cooperative interaction of the side edges 195 of the impact end 92 of the hammers and the male protrusions (or female depressions) formed in the attrition impact plates 75. For example, if a male protrusion 78 having a triangle shape, or a square shape, is formed on the attrition impact plate, the cooperation of the impact end of the hammer 90 with the male protrusions would effect the "scissoring" action while contacting the particulate material being reduced. The "scissoring" action would impart a force vector that would urge the particulate material downstream.

Still further, the angle of the body of the hammer relative to the longitudinal axis of the housing provides additional impetus for urging the

particulate material downstream. First, similar to the discussion of the effect of the impact side edge 195 above, the impact of the particulate material onto the angled shank portion 210 of the hammer imparts a mechanical force vector onto the particulate material that comes into contact with the body.

5 The force vector has a component directed downstream. Second, the shank portion 210 of the hammer 90 acts as a mechanical fan when the hammers are continuously rotated about the rotor. This allows for air to be drawn downstream through the inlet opening toward the discharge opening and aids in transporting the particulate material downstream. In use, the air flow
10 resulting from the rotation of the hammers also helps to prevent the formation of air dams within the interior of the housing.

Referring now to Figs. 20 and 21, an alternative embodiment of the hammermill is shown in which each hammer 90 of the third plurality of hammers used in the tertiary reduction chamber is a conventional hammer
15 90. Because there is no need to "move" particulate matter that enters the tertiary reduction chamber in a longitudinal direction, a conventional hammer 90 having impact edges and shank side surfaces that are substantially parallel to the longitudinal axis of the housing can effectively be used. Such hammers cooperate with the grate assembly and the third attrition plate
20 assembly to complete the reduction of the particulate matter and to force the reduced matter through the spaced openings in the grate assembly.

Referring now to Figs. 1A-2, to aid in reducing larger sized particulate materials entering the inlet opening 23 of the housing 20, the hammermill 10 of the present invention may also include at least one breaker plate 110
25 mounted proximate the inlet opening 23 of the housing 20. For reversible operation of the hammermill, it is preferred that a pair of opposed breaker plates 110 be mounted proximate the inlet opening 23 at the respective edges of the primary reduction chamber 40. Each breaker plate 110 has an elongate impact edge 112 which is preferably oriented substantially co-axial
30 to the longitudinal axis of the housing 20. The breaker plate serves to absorb the impact of the initial reduction of large scale particulate materials to a manageable size before entering the hammer circle. In use, smaller pieces of particulate materials are pulled into the hammer circle immediately while the

larger—and especially longer—pieces are reduced while entering the hammermill 10. Reducing the larger and longer pieces against the breaker plate 110 decreases the horsepower needed to overcome the applied shock loads.

5 The hammermill 10 may also include an intake chute 120, in which particulate materials to be reduced are fed via the intake chute 120 through the inlet opening 23 in the housing 20 so that the oversized particulate material enters the housing 20 at a specific longitudinal location of the hammermill 10. The intake chute 120 is shown inclined so that oversized
10 particulate material fed into the interior of the hammermill 10 has a point of discharge from the intake chute 120 that is generally level with the extended tips 91 of the hammers forming the second plurality of hammers 62. Stated differently, the oversized particulate material entering the hammermill 10 travels or slides down the inclined intake chute so that its point of discharge is
15 level with the impact ends of the second plurality of hammers 62.

 As shown, the bottom edges of the intake chute 120 are directed to be oriented inwardly. Preferably, the intake chute 120 is shown to be substantially U-shaped in side view so that the particulate materials are directed toward the centerline of the rotor assembly 30. Thus, the particulate
20 materials entering the hammermill 10 via the intake chute, accordingly, are preferably not directed to be immediately processed by the hammers on their upswing. That is, the present design minimizes the likelihood of entering materials being ejected or thrown from the hammermill 10 (*i.e.*, fly back of material).

25 Another aspect of the present invention shown in Figs. 9 and 10 is the use of an annular “ring” 130 to slow the passage or flow of materials between the inlet opening 23 and the discharge opening 25 of the hammermill 10. The cross-sectional view shown in Fig. 9 illustrates a plurality of disks 34 circumscribing the rotor assembly 30, and, as is known in the art, the
30 hammers 90 directly or indirectly connect to the disks 34. Each annular ring 130 is connected to and extends inwardly from the sidewall 26 of the housing 20 toward the rotor assembly. Preferably, the edge of the ring 130 is spaced from the circumferential edge of one disk to define a gap 132 between the

ring 130 and the disk in which particulate material must pass to proceed downstream to the discharge end 24.

In use, the rings 130, which are better shown by the exemplary embodiment in Fig. 10, extend 360° about the rotor assembly 30 and preferably extend inwardly into the interior of the housing 20 so that they have a radius of curvature R_r about the longitudinal axis of the housing 20 that is less than the hammer rotation radius. That is, the outer circumference or edge of the ring preferably extends between the impact ends of adjacent extended hammers. As one skilled in the art will appreciate, the rings 130 thus “dam” or impede the longitudinal flow of particulate materials through the housing 20. The result of including the rings 130 in the hammermill 10 is that the particulate material being processed reticulate or are retained longer within the housing 20 of the hammermill 10 and, accordingly, this longer retention time results in more comminution or size reduction of the particulate material.

It is further contemplated that variations will exist in both the number and the design of the rings 130 used within the hammermill 10, as desired. For example, although Fig. 9 shows two rings, other embodiments are contemplated using zero, one, and three or more rings, which may vary based on the type of particulate materials being processed, the degree of reduction desired, and the mean or median time for particulate materials to be processed without the rings. Also, as shown in Fig. 10, the rings 130 can have different designs. For example, the top half of the ring is shown as a solid ring, which is one example. In comparison, the right lower quadrant shows a gap-tooth ring and the left lower quadrant shows a saw-tooth ring. These different ring examples have different attributes in terms of reduction of materials and retention times.

In an alternative embodiment, as shown in Figs. 11, 19A, and 19B, is the use of an annular “ring” 300 to slow the passage or flow of materials between the inlet opening 23 and the discharge opening 25 of the hammermill 10. The cross-sectional view shown in Fig. 11 illustrates a plurality of disks 34 circumscribing the rotor assembly 30, and, as is known in the art, the hammers 90 are directly or indirectly coupled to the disks 34. Here, each

annular ring 300 is connected to and extends outwardly from the rotor assembly toward the sidewall 26 of the housing 20. Preferably, the ring 300 is positioned in between the disk and the adjacent hammers 90, preferably on the upstream side of the hammers. As one would appreciate, a spacer
5 member 302 may be substituted for one ring if a ring is not used in order to maintain the desired spacing of the hammers on the rotor. In one example, the spacer member extends 360° about the rotor assembly.

In use, the rings 300, which are better shown by the exemplary embodiment in Fig. 19A, extend 360° about the rotor assembly 30 and
10 preferably extend outwardly into the interior of the housing 20 so that they have a radius of curvature R_r about the longitudinal axis of the housing 20 that is less than the hammer rotation radius H_r . That is, the outer circumference or peripheral ring edge 304 of the ring preferably extends below the impact ends of the adjacent extended hammers. As one skilled in
15 the art will appreciate, the rings 300 thus “dam” or impede the longitudinal flow of particulate materials through the housing 20. The result of including the rings 300 in the hammermill 10 is that the particulate material being processed reticulate or are retained longer within the housing 20 of the hammermill 10 and, accordingly, this longer retention time results in more
20 comminution or size reduction of the particulate material.

It is further contemplated that variations will exist in both the number and the design of the rings 300 used within the hammermill 10, as desired. For example, although Fig. 11 shows one ring, other embodiments are contemplated using zero, two, and three or more rings, which may vary based
25 on the type of particulate materials being processed, the degree of reduction desired, and the mean or median time for particulate materials to be processed without the rings. Also, the rings 300 can have different designs, such as, for example, the multi-tier design shown in Fig. 19A and the gap-tooth ring design shown in Fig. 19B. Further, the rings and /or portions of the
30 rings may have differing heights, or radius of curvature R_r , as shown in Figs. 19A and 19B. These different ring 300 examples have different attributes in terms of reduction of materials and retention times. For example, the ring 300 shown in Fig. 19A has a first arcuate portion that has a radius of curvature R_r ’

and a second arcuate portion having a different radius of curvature R_r'' . Here, the radius of curvature R_r'' of the second arcuate portion is smaller than the radius of curvature R_r' of the first arcuate portion. In one example, the radius of curvature R_r' may be substantially the same as the hammer rotation
5 radius H_r so that the tip of the first arcuate portion is closely spaced from the surface of the attrition plate.

Another contemplated method of varying the retention time of the particulate material being processed by the hammermill 10 is to incline the hammermill 10 along its longitudinal length relative to a ground surface, such
10 as, for example, a substantially horizontal surface. That is, the hammermill 10 of the present invention is contemplated being used or positioned parallel to or at a non-parallel angle α with respect to a horizontal surface. For example, as shown in Fig. 2, the longitudinal axis of the hammermill 10 is oriented at a 10° angle relative to the horizontal surface. Other angles α are
15 also contemplated, such as from between 0° to 20° , more preferably from between -10° to 30° , and still more preferably from between -30° to 40° . The hammermill 10 may also have an adjustable or a variable angular orientation, *i.e.*, the hammermill 10 can be oriented at one of a plurality of different angles, depending on the material being processed and the degree to which it
20 is desired to reduce that material.

In considering the operations of the hammermill 10 of the present invention, one skilled in the art will appreciate that the size and type of particulate material being processed may dictate conditions such as speed, the number of hammers 90, and the horsepower necessary to effectively and
25 efficiently operate the hammermill 10. These design parameters can be calculated using engineering equations, but more commonly the parameters are determined empirically by trial-and-error testing.

In the hammermill 10 of the present invention, the rate that materials are processed and move longitudinally through the housing 20 from its inlet
30 end 22 to discharge end 24 may be controlled by: (1) the speed of the rotor assembly 30; (2) the length of the rotor assembly 30 and the number of hammers 90 connected thereto; (3) the angle of the hammermill 10 relative to horizontal; (4) the presence of discontinuous surfaces on the attrition impact

plates 75; (5) the taper or bevel of the impact ends 92 of the hammers; and (6) the inclusion of rings 130 within the housing 20. These ways to control the rate of particulate material flow can all be varied independently or collectively in designing and operating the hammermill 10. One skilled in the art will
5 further appreciate that many of these control features or parameters may be varied after the hammermill 10 has been manufactured—and even operated—including the taper of the impact ends 92 of the hammer, the angle of the hammermill 10 relative to horizontal, the presence of discontinuous surfaces on the attrition impact plates 75, and the inclusion of rings 130 within
10 the housing 20 of the hammermill 10. The present invention, accordingly, provides distinct advantages over prior art systems because the known hammermill 10s cannot be modified as efficiently to process different particulate materials or the same particulate material to a different product graduation range. One skilled in the art will also appreciate that the present
15 invention can be used for performing numerous applications in different industries.

The hammermill 10 of the present invention is more efficient with lower horsepower requirements than a unit not employing the features of the present invention. Because of the higher reduction ratio of the present
20 invention, the hammermill 10 can operate at lower revolutions per minute (“RPM”), which translates into less wear on the components. The higher reduction ration also allows smaller units to perform a given task and to produce a narrower finished product graduation range. It is additionally contemplated that the hammermill 10 of the present invention will be easily
25 accessible for service due to its size and construction, have good tramp metal protection, and have machine tool, fabrication welding, and assembly requirements that fit into existing line of equipment. Moreover, it is also contemplated that existing units can be expanded to meet future requirements for product changes on capacity issues.

30 In one example, the hammermill 10 of the present invention is easily reversible by reversing the direction of the rotor assembly 30 and the connected hammers 90. The advantage of such a reversible design is that it allows operations to occur longer between shutdowns because, for example,

as the leading side edges 95 of the impact ends of the hammers wear during normal operations, they would need to be replaced; however, in the present invention, the trailing side edges 95 of the hammers are not worn. For example, if the side edges 95 have two impact edges which are mirror images of one another, the hammermill 10 will operate the same if the direction of the rotor assembly 30 is reversed. The resulting reversal in the rotation of the hammers prolongs the life of the hammers as well as reducing wear on other components (such as the attrition impact plates 75 in which a different portion of the surface of the plate may create the "scissors" action with the reversed hammer) and, accordingly, there may be longer durations of operations between maintenance and repair shutdowns.

Because the rotor assembly 30 of the present invention may be reversed, it is contemplated that the hammers may provide a substantially identical product graduation range (if the side edges 95 of the impact ends 92 of the hammers are mirror images of each other) or to achieve different results. For example, the degree of taper on one side of the impact end 92 of the hammer when the rotor turns clockwise may be blunt as shown in Fig. 8A, and the impact end 92 may be beveled on its opposite side edge 95 as shown in Fig. 8C. Thus, operating the rotor assembly 30 to turn clockwise will cause a lower reduction to a given particulate material than reversing the operations because, when rotating counterclockwise, the tapered side surface will move that particulate material longitudinally through the housing 20 faster and result in a lower retention/processing duration. As one skilled in the art will thus appreciate, there are other combinations of the impact ends of the hammers that can result in processing the same particulate material to the same or different product graduation ranges or to process different particulate materials that is simply obtained by reversing the direction of the rotor.

Although the illustrative embodiments of the present disclosure have been described herein with reference to the accompanying drawings, it is to be understood that the disclosure is not limited to those precise embodiment, and that various other changes and modifications may be affected therein by one skilled in the art without departing from the scope or spirit of the

What is claimed is:

1. A hammermill for reducing oversized particulates to desired sized particulates, comprising:

a housing with an inlet end for receiving oversized particulates, a discharge end for exiting desired sized particulates, and a longitudinal axis;

a grate assembly comprising a plurality of screen bars that are spaced apart a predetermined distance, the grate assembly positioned in the discharge end of the housing;

a rotor assembly disposed within the housing;

a first plurality of hammers coupled to the rotor assembly, the plurality of hammers disposed intermediate the inlet end and the discharge end of the housing;

a second plurality of hammers coupled to the rotor assembly, the second plurality of hammers disposed proximate the inlet end of the housing and adjacent the first plurality of hammers;

a third plurality of hammers coupled to the rotor assembly, the third plurality of hammers disposed proximate the discharge end of the housing and adjacent the first plurality of hammers;

a first attrition plate assembly having a generally circular configuration and secured within the housing intermediate the inlet end and the discharge end of the housing;

a second attrition plate assembly having a generally semi-circular configuration and secured within the housing adjacent the inlet end of the housing and the first attrition plate assembly,

wherein a least a portion of each hammer of the first plurality of hammers closely overlies a portion of the first attrition plate assembly, at least a portion of each hammer of the second plurality of hammers closely overlies a portion of the second attrition plate assembly, and at least a portion of each hammer of the third plurality of hammers overlies a portion of the grate assembly so that the hammers of the first plurality of hammers cooperate with the first attrition plate assembly, the hammers of the second plurality of hammers cooperate with the second attrition plate assembly, and the hammers

of the third plurality of hammers cooperate with the grate assembly to form the desired sized particulates.

2. The hammermill of Claim 1, further comprising a third attrition plate assembly having a generally semi-circular configuration and secured within the housing adjacent the discharge end of the housing and the first attrition plate assembly.
3. The hammermill of Claim 2, wherein each of the respective first, second, and third attrition plate assemblies comprises a plurality of attrition impact plates, each attrition impact plate having a curvilinear inner surface.
4. The hammermill of Claim 1, wherein each hammer of the first plurality of hammers comprises a fixed hammer.
5. The hammermill of Claim 1, wherein each hammer of the first plurality of hammers is selected from a group consisting of fixed hammers, swing hammers, or a combination thereof.
6. The hammermill of Claim 1, wherein each hammer of the second plurality of hammers comprises a swing hammer.
7. The hammermill of Claim 1, wherein each hammer of the second plurality of hammers is selected from a group consisting of fixed hammers, swing hammers, or a combination thereof.
8. The hammermill of Claim 1, wherein each hammer of the third plurality of hammers comprises a fixed hammer.
9. The hammermill of Claim 1, wherein each hammer of the third plurality of hammers is selected from a group consisting of fixed hammers, swing hammers, or a combination thereof.

10. The hammermill of Claim 1, wherein each hammer of the first, second, and third plurality of hammers has an impact end, the impact end having a proximal end, a spaced distal end, and a pair of opposing side edges extending between the proximal and distal ends, at least one of the side edges defining an impact edge extending for at least a portion of the side edge.

11. The hammermill of Claim 10, wherein the impact end of each hammer has a hammer longitudinal axis that is angled with respect to the longitudinal axis of the hammermill, at least one of the side edges of the impact end of each hammer being substantially parallel to the hammer longitudinal axis.

12. The hammermill of Claim 11, wherein each side edge of the impact end of each hammer is substantially parallel to the hammer longitudinal axis.

13. The hammermill of Claim 11, wherein the hammer longitudinal axis is angled with respect to the longitudinal axis of the hammermill about and between approximately 1 degree to 75 degrees.

14. The hammermill of Claim 11, wherein the hammer longitudinal axis is angled with respect to the longitudinal axis of the hammermill about and between approximately 1 degree to 60 degrees.

15. The hammermill of Claim 11, wherein each hammer has a connection portion constructed and arranged for coupling to a portion of the rotor assembly and a shank portion extending between the connection portion and the impact end, the shank portion having a first shank surface extending to a first shank edge and an opposing second shank surface extending to a second shank edge, the first and second shank surfaces extending between the connection portion and the impact end of each hammer, wherein the first and second shank surfaces are angled with respect to the longitudinal axis of the hammermill.

16. The hammermill of Claim 15, wherein at least one of the first shank surface and second shank surface of each hammer is parallel to the hammer longitudinal axis.
17. The hammermill of Claim 16, wherein the first and second shank surfaces are substantially co-planar.
18. The hammermill of Claim 15, wherein a portion of the first shank surface adjoining a portion of the impact edge and a portion of the first shank edge defines a first male protrusion extending from the portion of the first shank surface.
19. The hammermill of Claim 18, wherein a portion of the second shank surface adjoining a portion of the impact edge and a portion of the second shank edge defines a second male protrusion extending from the portion of the second shank surface.
20. The hammermill of Claim 10, wherein the impact end of each hammer has a bottom surface extending between the side edges of the impact end, at least a portion of the bottom surface defining a convex shape.
21. The hammermill of Claim 2, wherein each of the respective first, second, and third attrition plate assemblies comprise a plurality of attrition impact plates, and wherein each attrition impact plate has a curvilinear inner surface.
22. The hammermill of Claim 21, wherein at least two attrition impact plates are positioned so that the curvilinear inner surface of the attrition impact plates form a substantially continuous work surface within a portion of the housing, and wherein the continuous work surface has a generally cylindrical shape and encloses the first plurality of hammers.

23. The hammermill of Claim 21, wherein the inner surface of each attrition impact plate defines at least one male protrusion extending from the inner surface, each male protrusion defining a geometric shape.

24. The hammermill of Claim 21, wherein the inner surface of each attrition impact plate defines at least one female depression in the inner surface, each female depression protrusion having a geometric shape.

25. The hammermill of Claim 1, wherein each screen bar of the plurality of screen bars extends substantially parallel to the longitudinal axis of the housing.

26. The hammermill of Claim 1, wherein each hammer of the first, second, and third plurality of hammers has an outer tip which defines a hammer rotation radius about the longitudinal axis of the housing, each hammer also having a connection portion constructed and arranged for coupling to a portion of the rotor assembly, further comprising at least one annular ring having an peripheral ring edge, one annular ring of the at least one annular ring connected to the rotor assembly adjacent a portion of the connection portion of at least one hammer of the first, second, and third plurality of hammers such that the peripheral ring edge of the annular ring extends outwardly from the rotor assembly toward the sidewall of the housing, wherein the peripheral ring edge defines a maximum radius of curvature about the longitudinal axis of the housing that is about or less than the hammer rotation radius.

27. The hammermill of Claim 26, wherein the annular ring is positioned upstream of the at least one hammer.

29. The hammermill of Claim 26, further comprising at least one annular spacer member, wherein one annular spacer member or one annular ring is connected to the rotor assembly adjacent each hammer of the first, second, and third plurality of hammers.

30. A hammermill comprising:

a housing having an inlet end, a discharge end, a sidewall extending between the inlet end and the discharge end, and a longitudinal axis, the sidewall of the housing defining an enclosed work space, an inlet opening being defined in the sidewall of the housing proximate the inlet end of the housing, a discharge opening being defined in the sidewall of the housing proximate the discharge end of the housing, the inlet opening being disposed above the longitudinal axis of the housing and the discharge opening being disposed below the longitudinal axis of the housing;

a rotor assembly disposed within the housing for rotation about the longitudinal axis of the housing;

a first plurality of hammers coupled to the rotor assembly and disposed in the enclosed work space;

a second plurality of hammers coupled to the rotor assembly, the second plurality of hammers disposed proximate the inlet end of the housing and adjacent the first plurality of hammers; and

at least one annular ring having an peripheral ring edge,

wherein each hammer of the first and second plurality of hammers has an outer tip which defines a hammer rotation radius about the longitudinal axis of the housing, each hammer also having a connection portion constructed and arranged for coupling to a portion of the rotor assembly, and wherein one annular ring of the at least one annular ring is connected to the rotor assembly adjacent a portion of the connection portion of at least one hammer of the first and second plurality of hammers such that the peripheral ring edge of the annular ring extends outwardly from the rotor assembly toward the sidewall of the housing, wherein the peripheral ring edge defines a maximum radius of curvature about the longitudinal axis of the housing that is about or less than the hammer rotation radius.

31. The hammermill of Claim 30, wherein the annular ring is positioned upstream of the at least one hammer.

32. The hammermill of Claim 30, further comprising at least one annular spacer member, wherein one annular spacer member or one annular ring is connected to the rotor assembly adjacent each hammer of the first and second plurality of hammers.

33. The hammermill of Claim 30, further comprising a third plurality of hammers coupled to the rotor assembly, the third plurality of hammers disposed proximate the discharge end of the housing and adjacent the first plurality of hammers.

34. The hammermill of Claim 33, wherein one annular ring of the at least one annular ring is connected to the rotor assembly adjacent a portion of the connection portion of at least one hammer of the first, second, and third plurality of hammers.

35. The hammermill of Claim 34, wherein the annular ring is positioned upstream side of the at least one hammer.

36. The hammermill of Claim 34, further comprising at least one annular spacer member,
wherein one annular spacer member or one annular ring is connected to the rotor assembly adjacent each hammer of the first, second, and third plurality of hammers.

37. The hammermill of Claim 30, further comprising a first attrition plate assembly having a generally circular configuration secured to the sidewall within the enclosed work space of the housing, the first attrition plate assembly arranged such that at least a portion of each hammer of the first plurality of hammers is spaced from and overlies a portion of the first attrition plate assembly, wherein the first attrition plate assembly defines a substantially continuous first work surface in the enclosed work space.

38. The hammermill of Claim 37, further comprising a second attrition plate assembly having a generally semi-circular configuration and secured within the housing adjacent the first attrition plate assembly and the inlet opening of the housing, wherein at least a portion of each hammer of the second plurality of hammers is spaced from and overlies a portion of the second attrition plate assembly.
39. The hammermill of Claim 33, further comprising a third attrition plate assembly having a generally semi-circular configuration and secured within the housing adjacent the discharge end of the housing and the first attrition plate assembly.
40. The hammermill of Claim 30, wherein at least a portion of the second plurality of hammers underlies the inlet opening.
41. The hammermill of Claim 33, further comprising a grate assembly disposed in the discharge end of the housing, wherein at least a portion of each hammer of the third plurality of hammers overlies a portion of the grate assembly.
42. The hammermill of Claim 41, wherein the grate assembly comprises a plurality of screen bars, each screen bar of the plurality of screen bars extending substantially parallel to the longitudinal axis of the housing.
43. The hammermill of Claim 42, wherein the plurality of screen bars are spaced apart a predetermined distance.
44. A hammer for coupling to a rotor assembly that is rotatable about a longitudinal axis of a hammermill, comprising:
an impact end, the impact end having a proximal end, a spaced distal end, and a pair of opposing side edges extending between the proximal and distal ends, at least one of the side edges defining an impact edge extending for at least a portion of the side edge;

a connection portion constructed and arranged for coupling to a portion of the rotor assembly; and

a shank portion extending between the impact end and the connection portion, the shank portion having a first shank surface extending to a first shank edge and a second shank surface extending to a second shank edge, the first and second shank edges extending between the connection portion and the impact end;

wherein the impact end has a hammer longitudinal axis that is angled with respect to the longitudinal axis of the hammermill, at least one of the side edges of the impact end being substantially parallel to the hammer longitudinal axis.

45. The hammer of Claim 44, wherein each side edge of the impact end is substantially parallel to the hammer longitudinal axis.

46. The hammer of Claim 44, wherein the hammer longitudinal axis is angled with respect to the longitudinal axis of the hammermill about and between approximately 1 degree to 75 degrees.

47. The hammer of Claim 44, wherein the hammer longitudinal axis is angled with respect to the longitudinal axis of the hammermill about and between approximately 1 degree to 60 degrees.

48. The hammer of Claim 44, wherein the first and second shank surfaces are angled with respect to the longitudinal axis of the hammermill.

49. The hammer of Claim 48, wherein at least one of the first shank surface and second shank surface is parallel to the hammer longitudinal axis.

50. The hammer of Claim 49, wherein the first and second shank surfaces are substantially co-planar.

51. The hammer of Claim 48, wherein a portion of the first shank surface that adjoins a portion of the impact edge and a portion of the first shank edge defines a first male protrusion extending from the portion of the first shank surface.

52. The hammer of Claim 51, wherein a portion of the second shank surface that adjoins a portion of the impact edge and a portion of the second shank edge defines a second male protrusion extending from the portion of the second shank surface.

53. The hammer of Claim 44, wherein the impact end has a bottom surface extending between the side edges of the impact end, at least a portion of the bottom surface defining a convex shape.

54. The hammer of Claim 44, wherein the connection portion defines at least one bore extending therethrough that is constructed and arranged for coupling to a portion of the rotor assembly.

55. A hammermill comprising:

a housing having an inlet end, a discharge end, a sidewall extending between the inlet end and the discharge end, a longitudinal axis, a primary reduction chamber, a secondary reduction chamber adjoining the primary reduction chamber, and a tertiary reduction chamber adjoining the secondary reduction chamber, the sidewall proximate the inlet end of the housing defines an inlet opening, wherein, in the secondary reduction chamber, the sidewall of the housing defining an enclosed work space, wherein, in the primary reduction chamber, the sidewall and the inlet opening define a first partially enclosed work space, and wherein, in the tertiary reduction chamber, the sidewall and the discharge opening define a second partially enclosed work space;

a grate assembly positioned in the discharge end of the housing;

a rotor assembly disposed within the housing for rotation about the longitudinal axis of the housing;

a plurality of hammers coupled to the rotor assembly and disposed in the primary, secondary, and tertiary reduction chambers, respectively, each hammer of the plurality of hammers having an impact end, the impact end having a hammer longitudinal axis, a proximal end, a spaced distal end, and a pair of opposing side edges extending between the proximal and distal ends, the hammer longitudinal axis of each impact end being angled with respect to the longitudinal axis of the housing, at least one of the side edges of the impact end of each hammer being substantially parallel to the hammer longitudinal axis; and

an attrition plate assembly secured to the sidewall within the primary and secondary reduction chambers, respectively, the attrition plate assembly arranged such that the hammers disposed in the primary and secondary reduction chambers are spaced from and overlies a portion of the attrition plate assembly;

wherein a portion of each hammer disposed in the tertiary reduction chamber is spaced from and overlies a portion of the grate assembly.

56. A hammermill comprising:

a housing having an inlet end, a discharge end, a sidewall extending between the inlet end and the discharge end, a longitudinal axis, a primary reduction chamber, and a secondary reduction chamber adjoining the primary reduction chamber, the sidewall proximate the inlet end of the housing defining an inlet opening, wherein, in the secondary reduction chamber, the sidewall of the housing defining an enclosed work space, wherein, in the primary reduction chamber, the sidewall and the inlet opening define a partially enclosed work space;

a rotor assembly disposed within the housing for rotation about the longitudinal axis of the housing;

a plurality of hammers coupled to the rotor assembly and disposed in the primary and secondary reduction chambers, respectively, each hammer of the plurality of hammers comprising:

an impact end, the impact end having a proximal end, a spaced distal end, and a pair of opposing side edges extending between the

proximal and distal ends, at least one of the side edges defining an impact edge extending for at least a portion of the side edge, wherein the impact end has a hammer longitudinal axis that is angled with respect to the longitudinal axis of the hammermill, at least one of the side edges of the impact end being substantially parallel to the hammer longitudinal axis;

a connection portion constructed and arranged for coupling to a portion of the rotor assembly; and

a shank portion extending between the impact end and the connection portion, the shank portion having a first shank surface extending to a first shank edge and a second shank surface extending to a second shank edge, the first and second shank edges extending between the connection portion and the impact end, wherein the first and second shank surfaces are angled with respect to the longitudinal axis of the hammermill; and

an attrition plate assembly secured to the sidewall within the primary and secondary reduction chambers, respectively, the attrition plate assembly arranged such that the hammers disposed in the primary and secondary reduction chambers are spaced from and overlie a portion of the attrition plate assembly.

57. A hammermill comprising:

a housing having an inlet end, a discharge end, a sidewall extending between the inlet end and the discharge end, a longitudinal axis, a primary reduction chamber and an adjoining secondary reduction chamber, the sidewall proximate the inlet end of the housing defining an inlet opening, wherein, in the secondary reduction chamber, the sidewall of the housing defining an enclosed work space, and wherein, in the primary reduction chamber, the sidewall and the inlet opening define a partially enclosed work space;

a rotor assembly disposed within the housing for rotation about the longitudinal axis of the housing;

a plurality of hammers coupled to the rotor assembly and disposed in both the primary and secondary reduction chambers, respectively, wherein each hammer of the plurality of hammers has an outer tip which defines a hammer rotation radius about the longitudinal axis of the housing, each hammer also having a connection portion constructed and arranged for coupling to a portion of the rotor assembly, wherein each hammer of the plurality of hammers is selected from a group consisting of fixed hammers, swing hammers, or a combination thereof; and

an attrition plate assembly secured to the sidewall within the primary and secondary reduction chambers, respectively, the attrition plate assembly arranged such that the hammers are spaced from and overlies a portion of the attrition plate assembly;

at least one annular ring having an peripheral ring edge, wherein one annular ring of the at least one annular ring is connected to the rotor assembly adjacent a portion of the connection portion of at least one hammer of the plurality of hammers such that the peripheral ring edge of the annular ring extends outwardly from the rotor assembly toward the sidewall of the housing, and wherein the peripheral ring edge defines a maximum radius of curvature about the longitudinal axis of the housing that is about or less than the hammer rotation radius.

58. The hammermill of Claim 56, wherein the annular ring is positioned upstream of the at least one hammer.

59. The hammermill of Claim 56, further comprising at least one annular spacer member, wherein one annular spacer member or one annular ring is connected to the rotor assembly adjacent each hammer of the plurality of hammers.

1/21

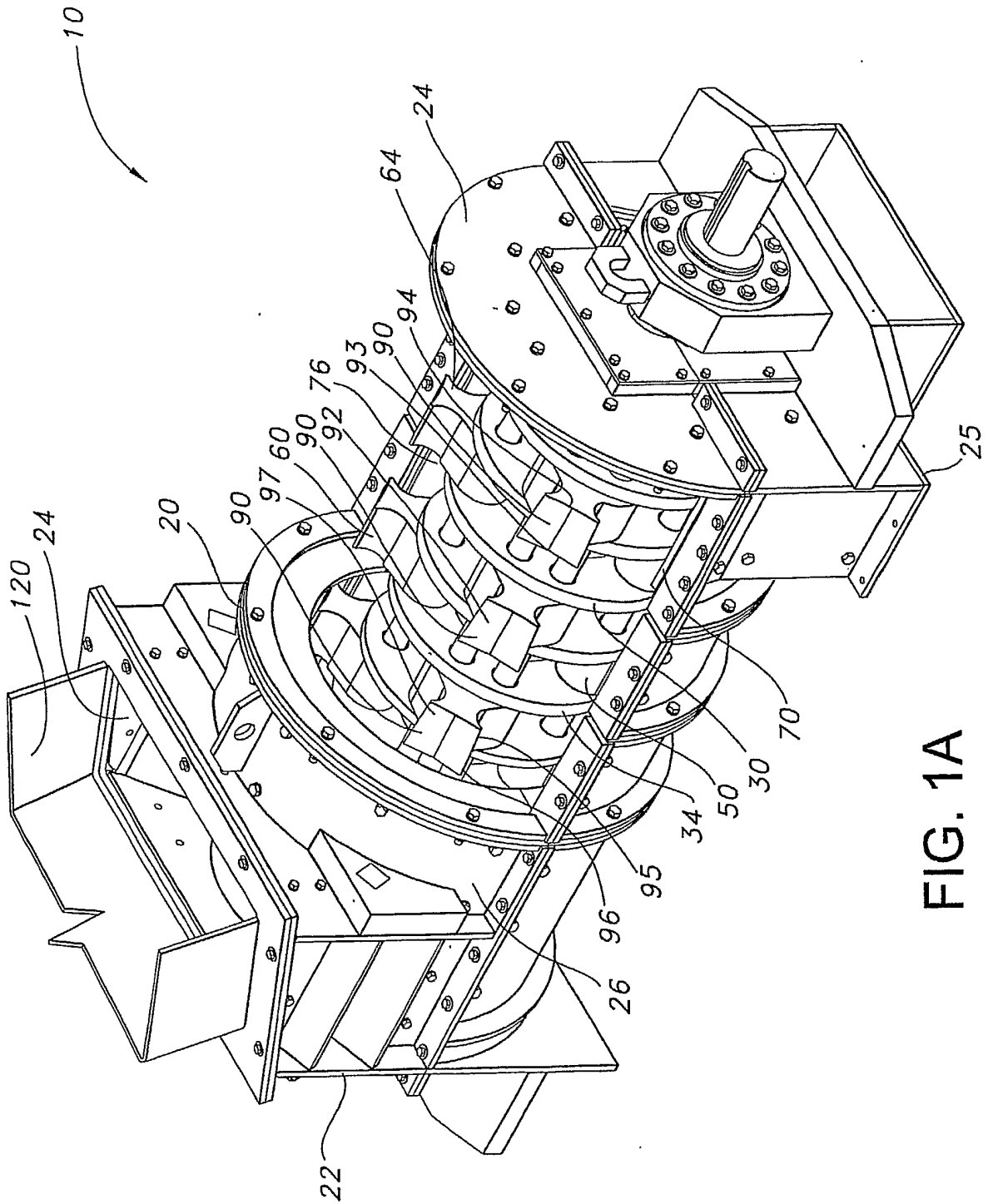


FIG. 1A

2/21

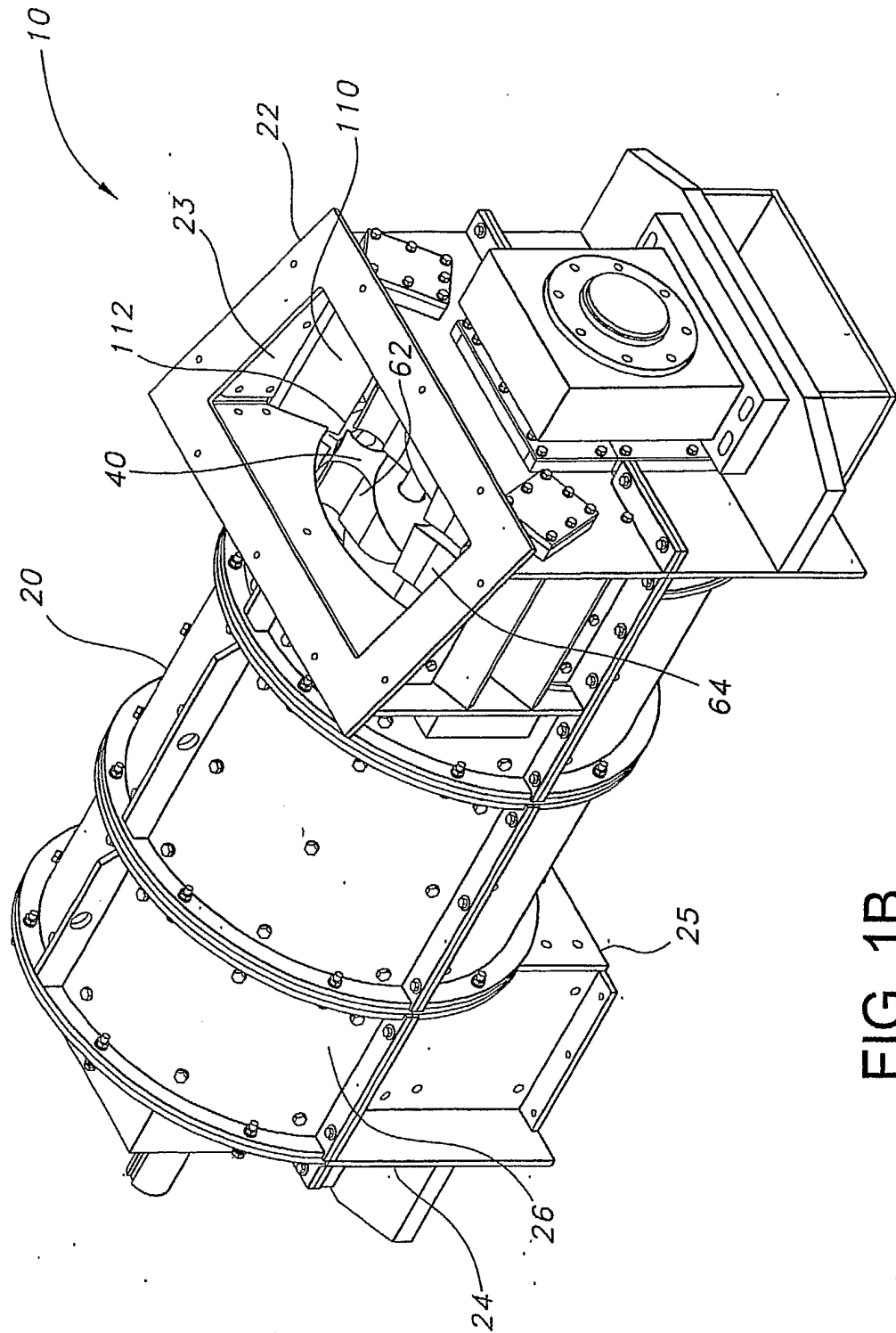


FIG. 1B

3/21

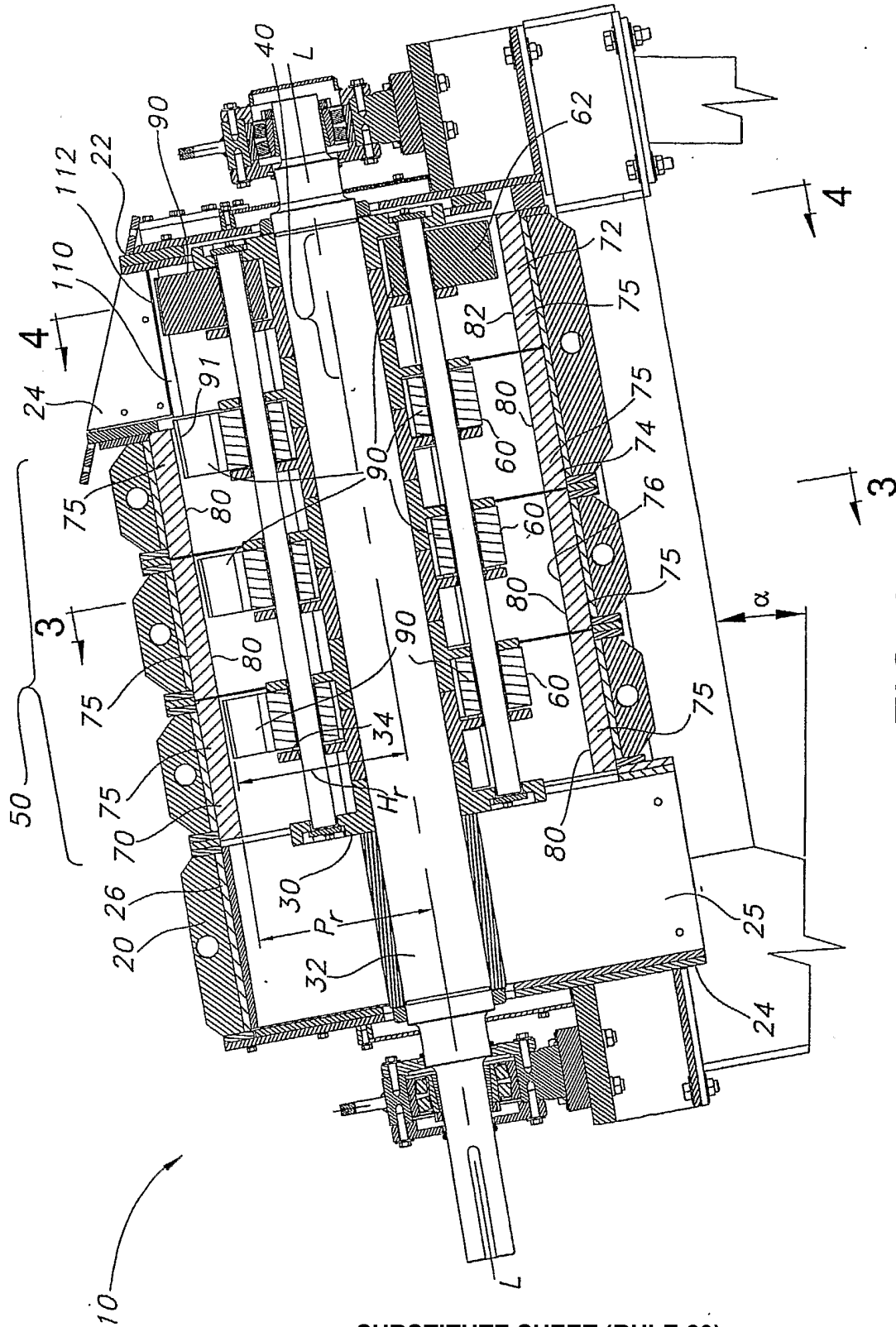


FIG. 2

4/21

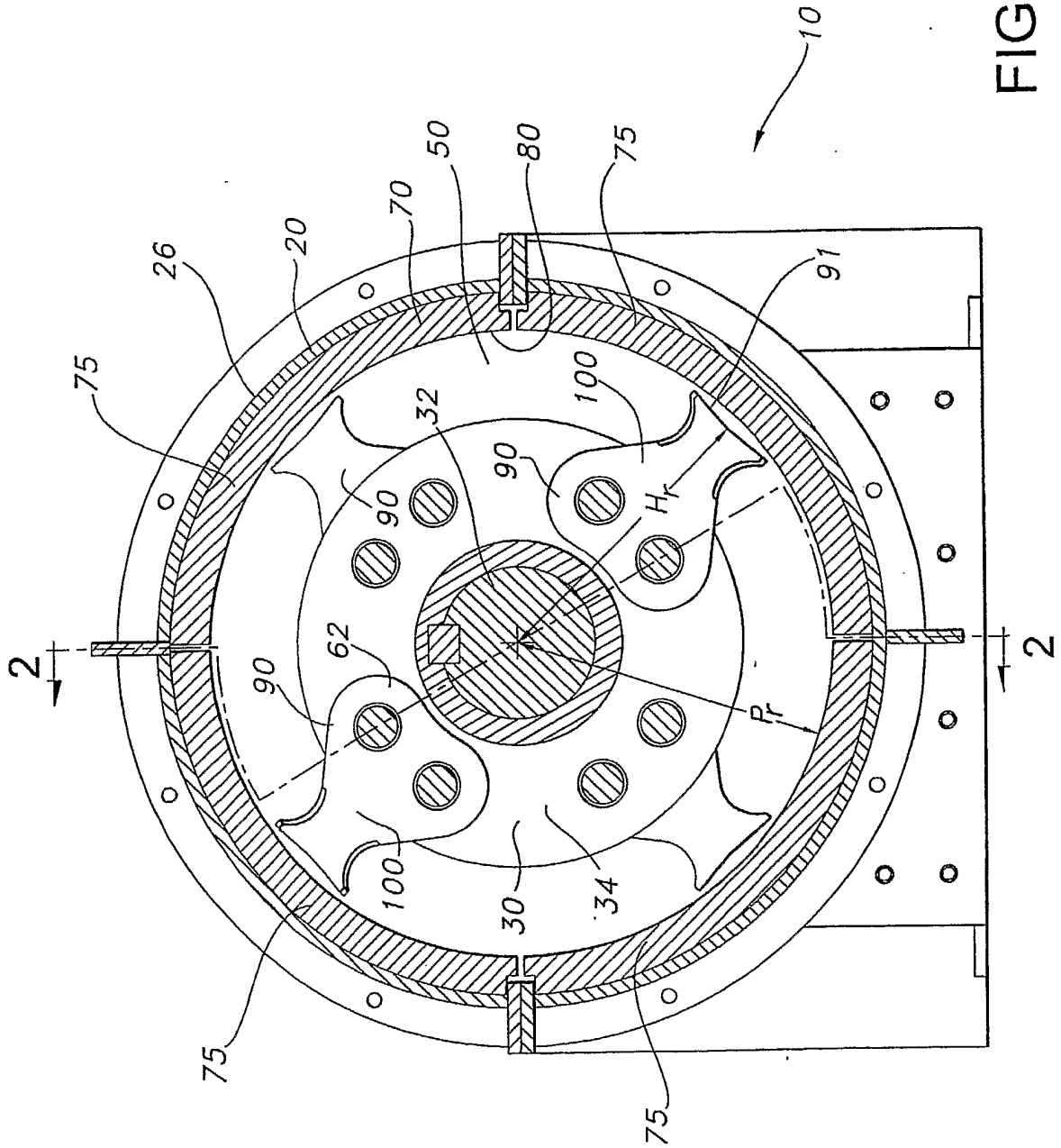


FIG. 3

5/21

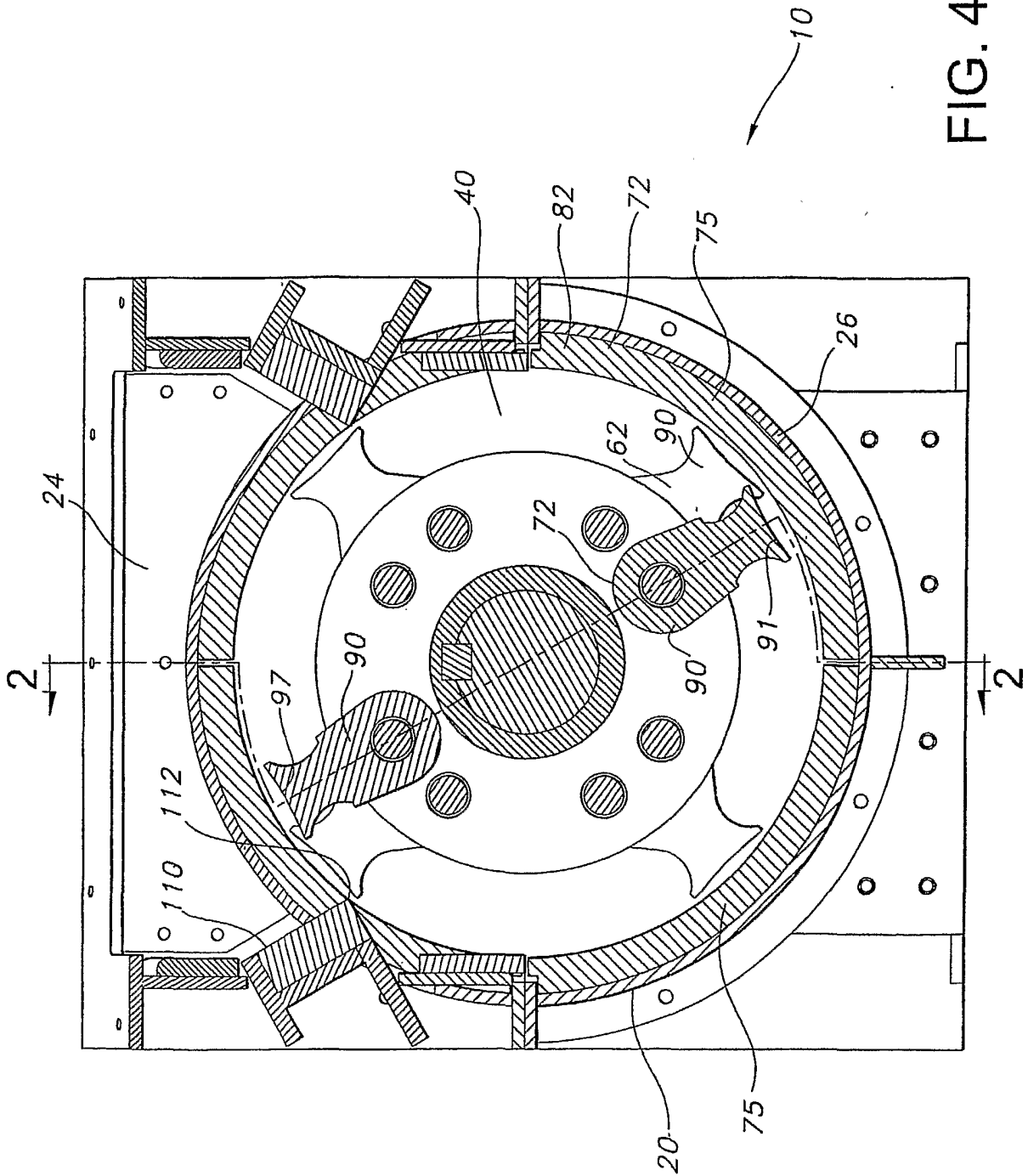


FIG. 4

6/21

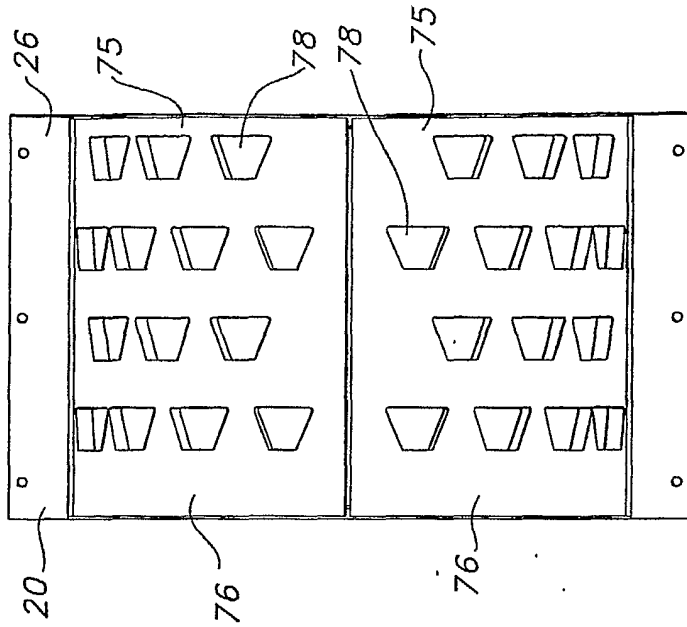


FIG. 6

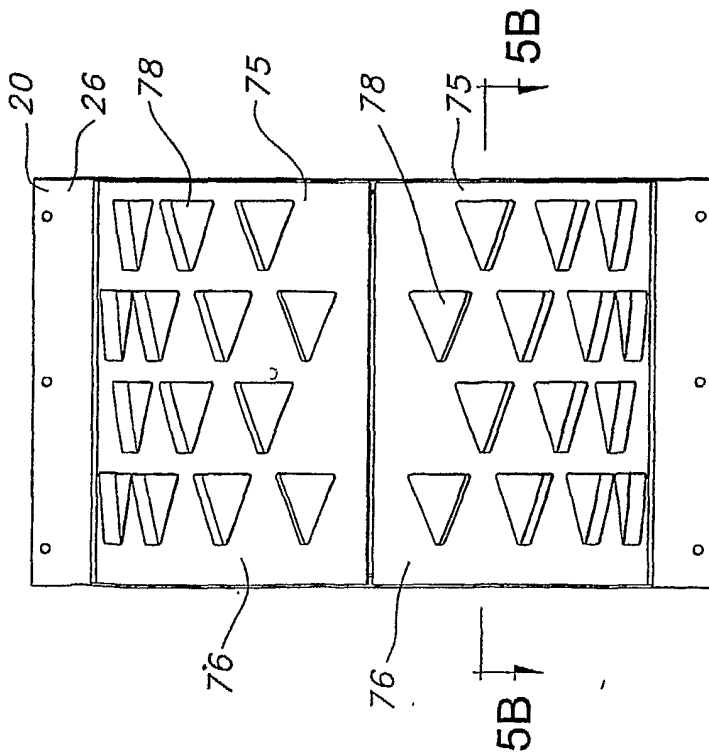


FIG. 5A

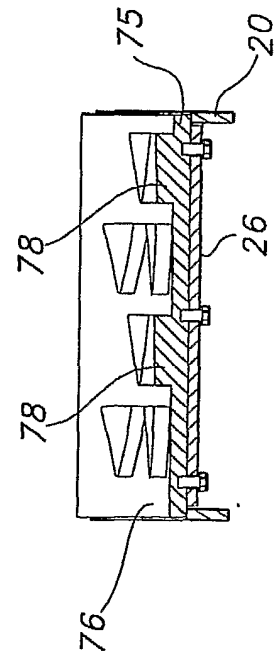


FIG. 5B

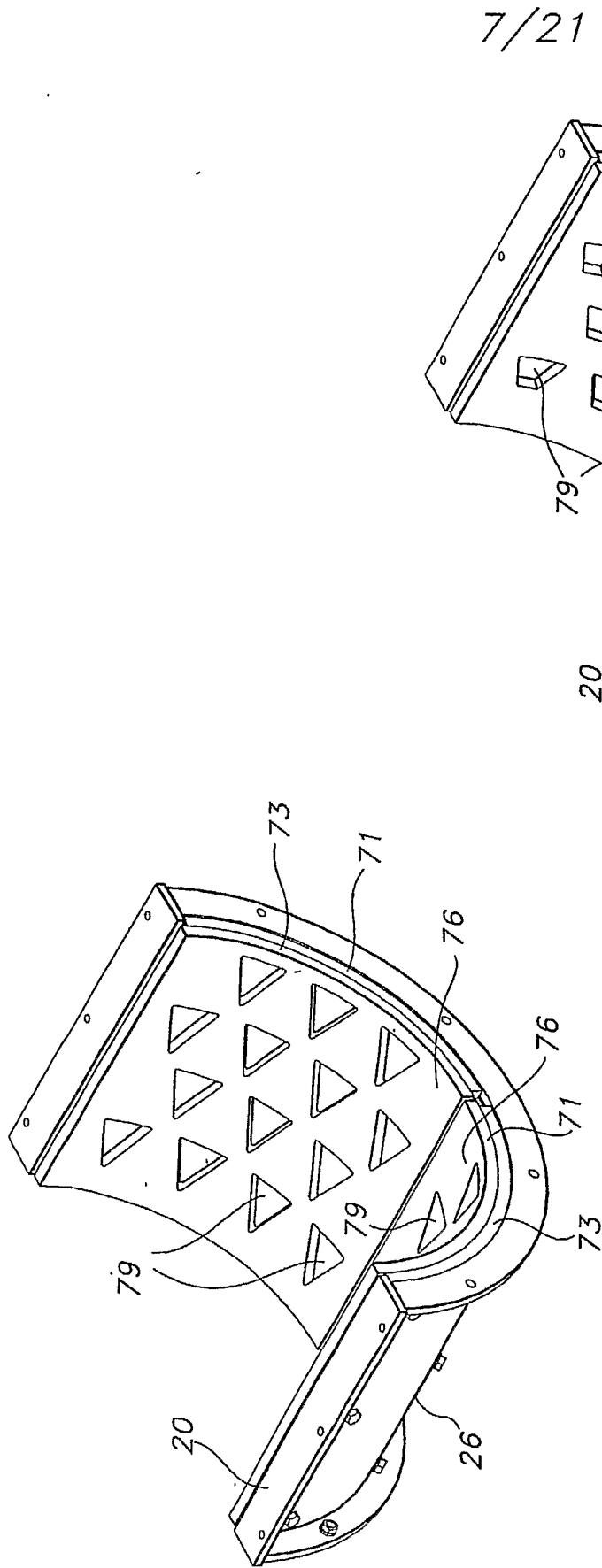


FIG. 7A

FIG. 7B

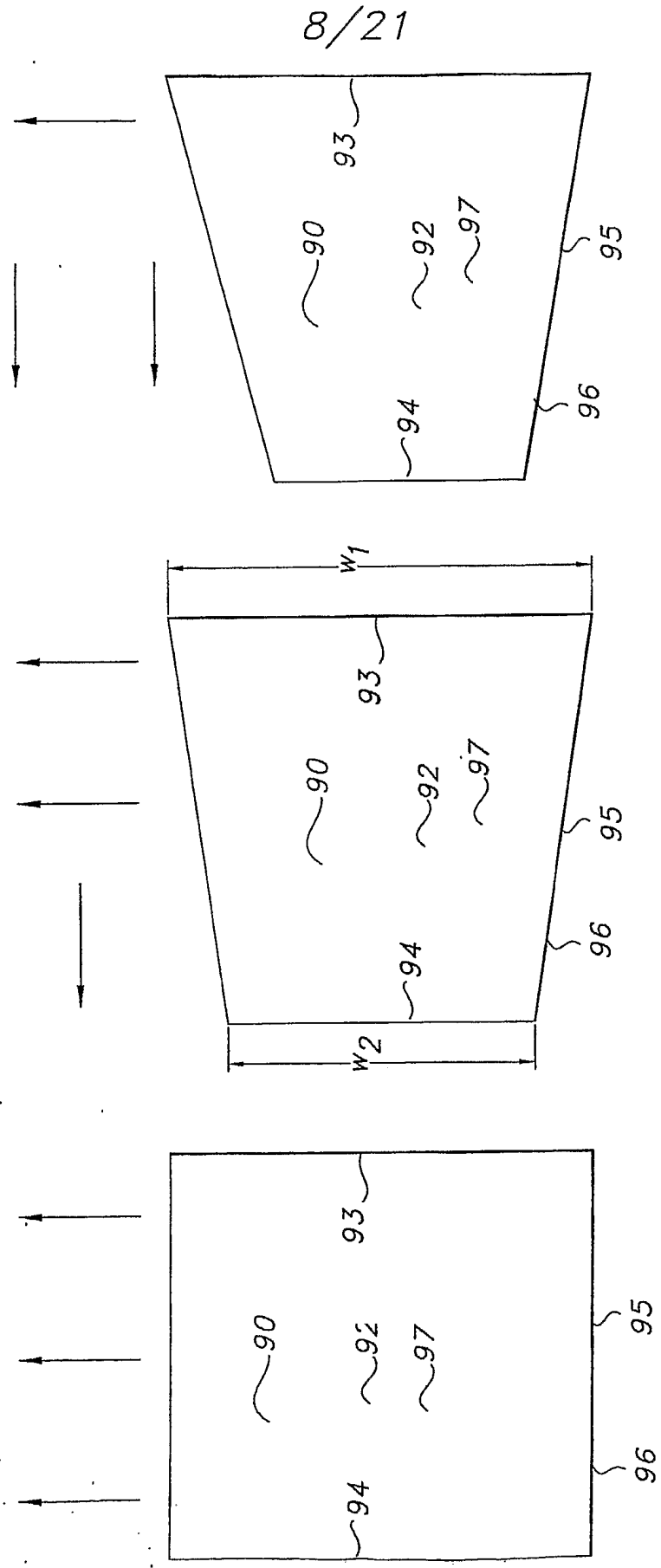


FIG. 8A

FIG. 8B

FIG. 8C

9/21

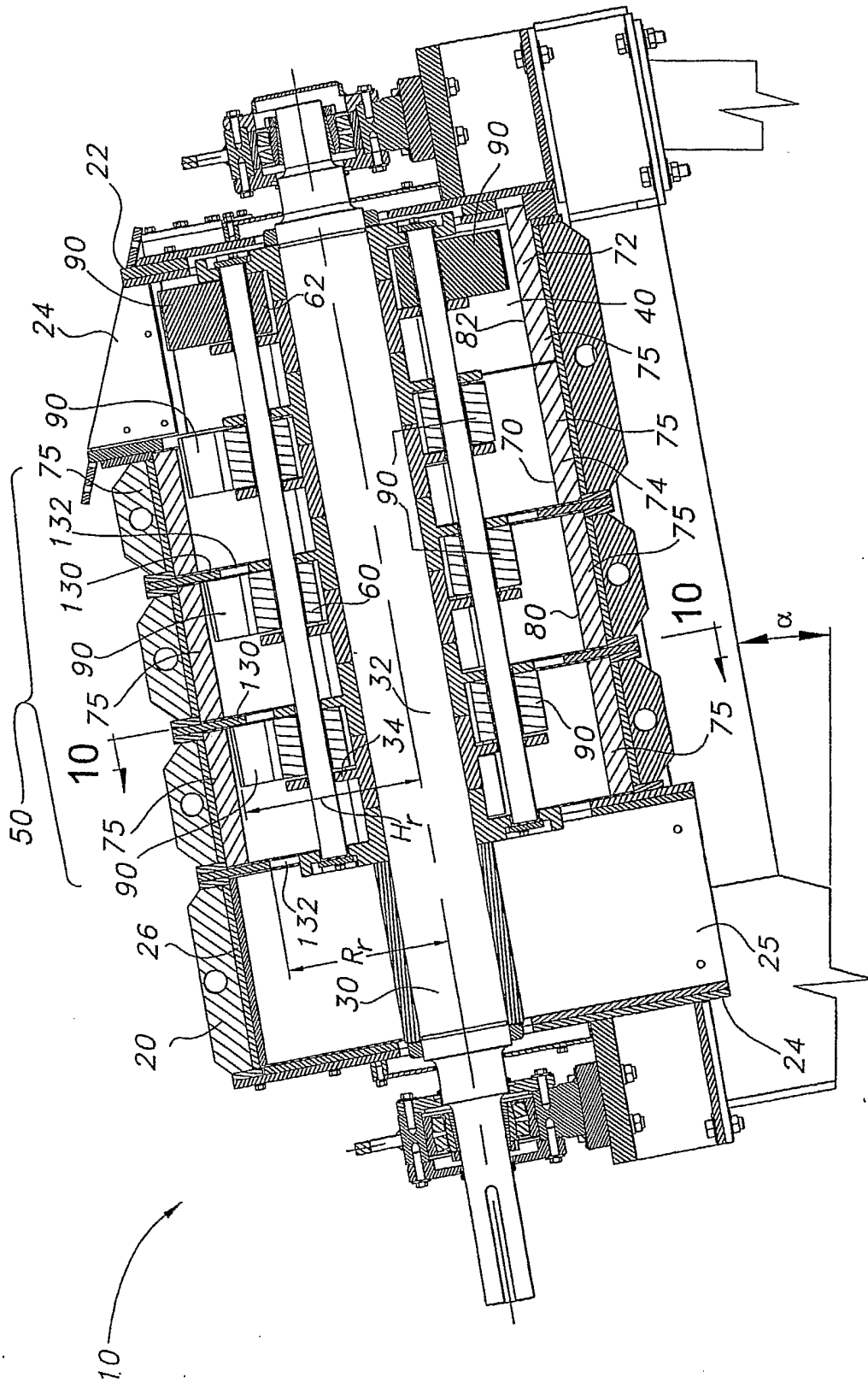


FIG. 9

10/21

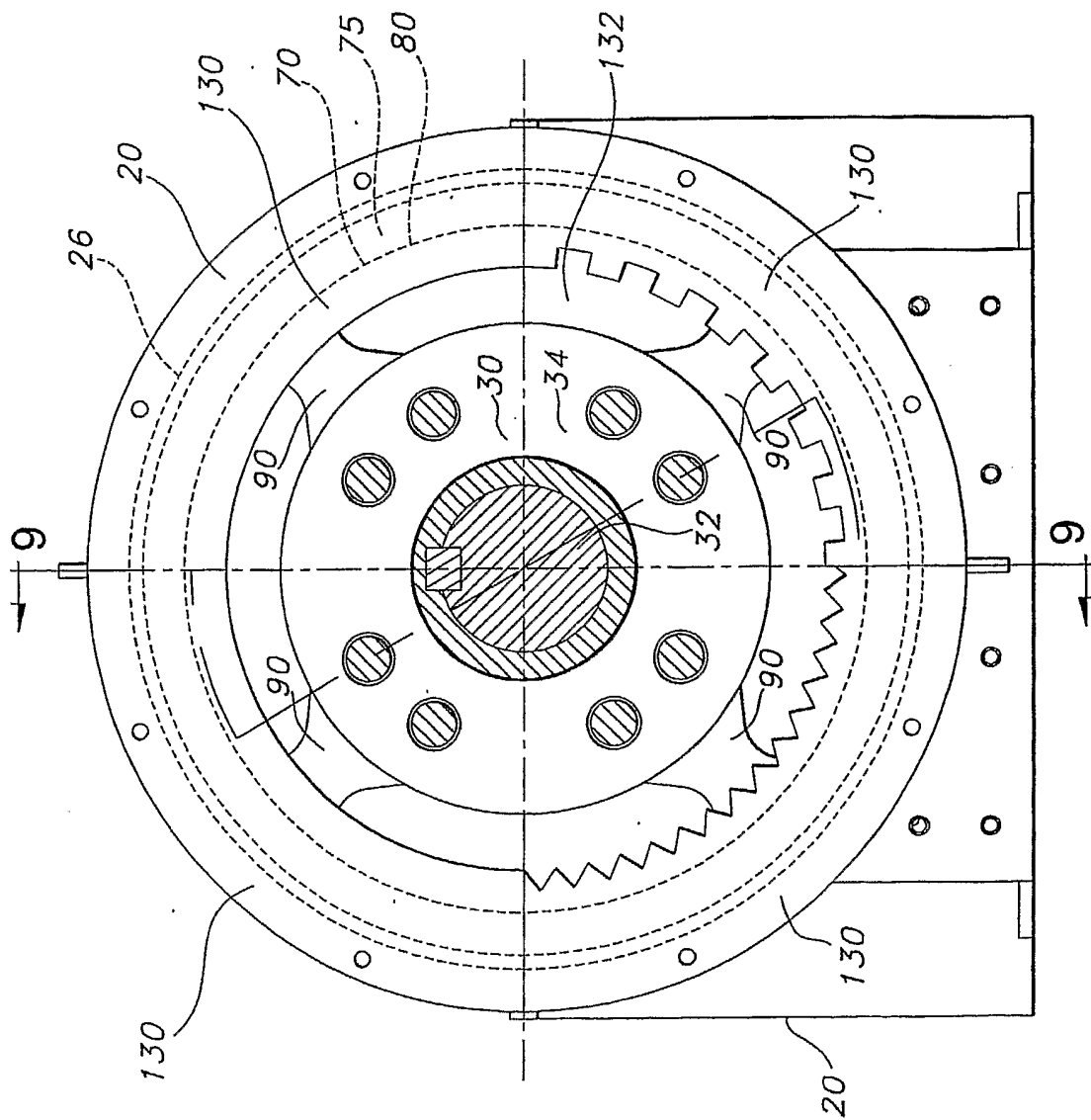


FIG. 10

12/21

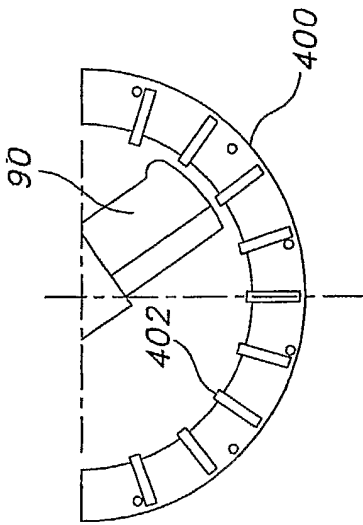


FIG. 12A

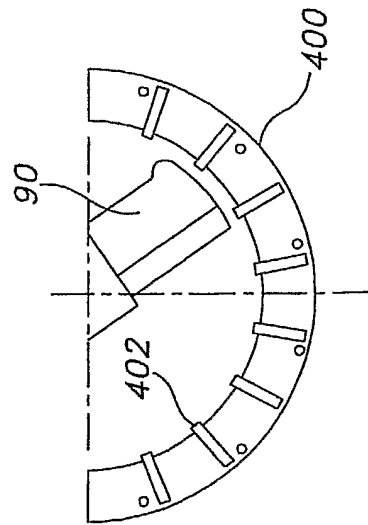


FIG. 12B

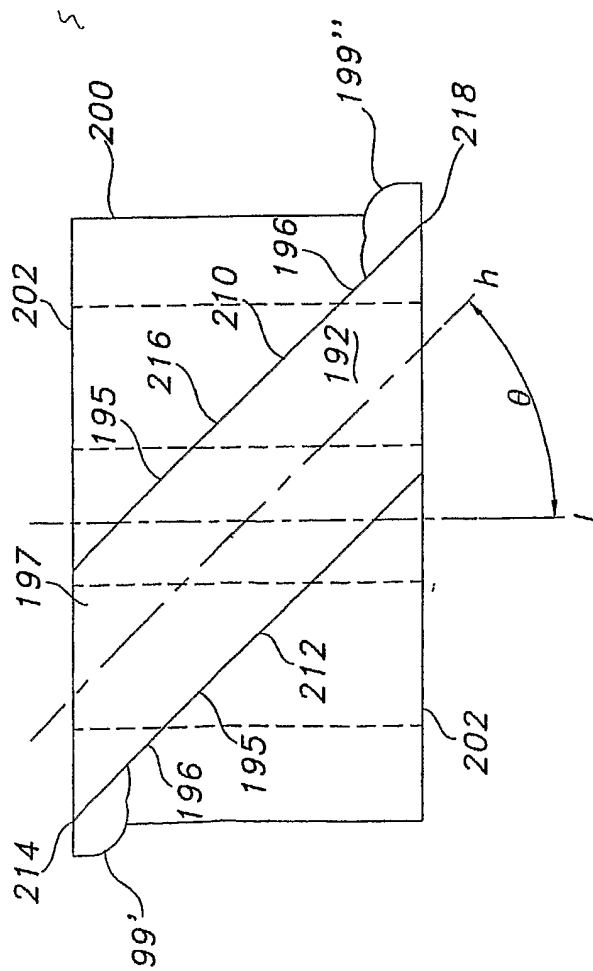
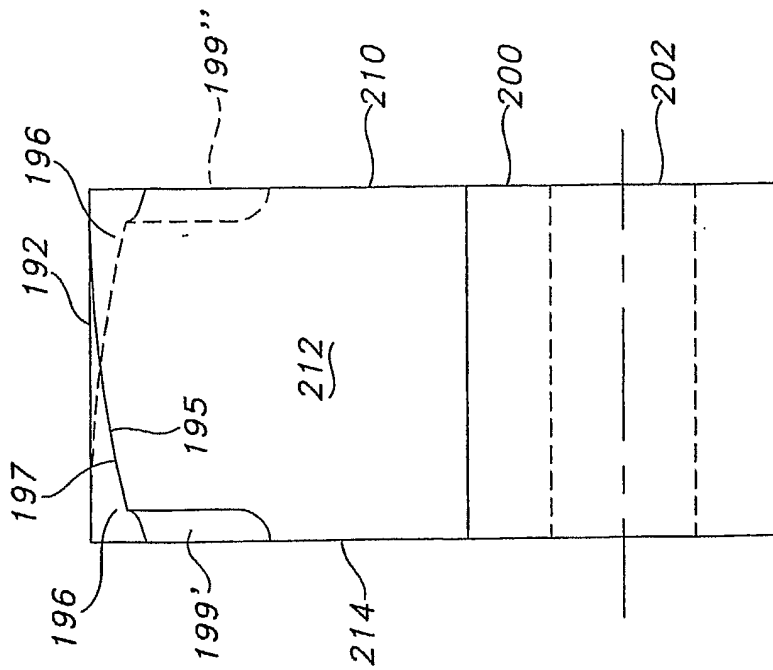


FIG. 13

FIG. 14

14/21

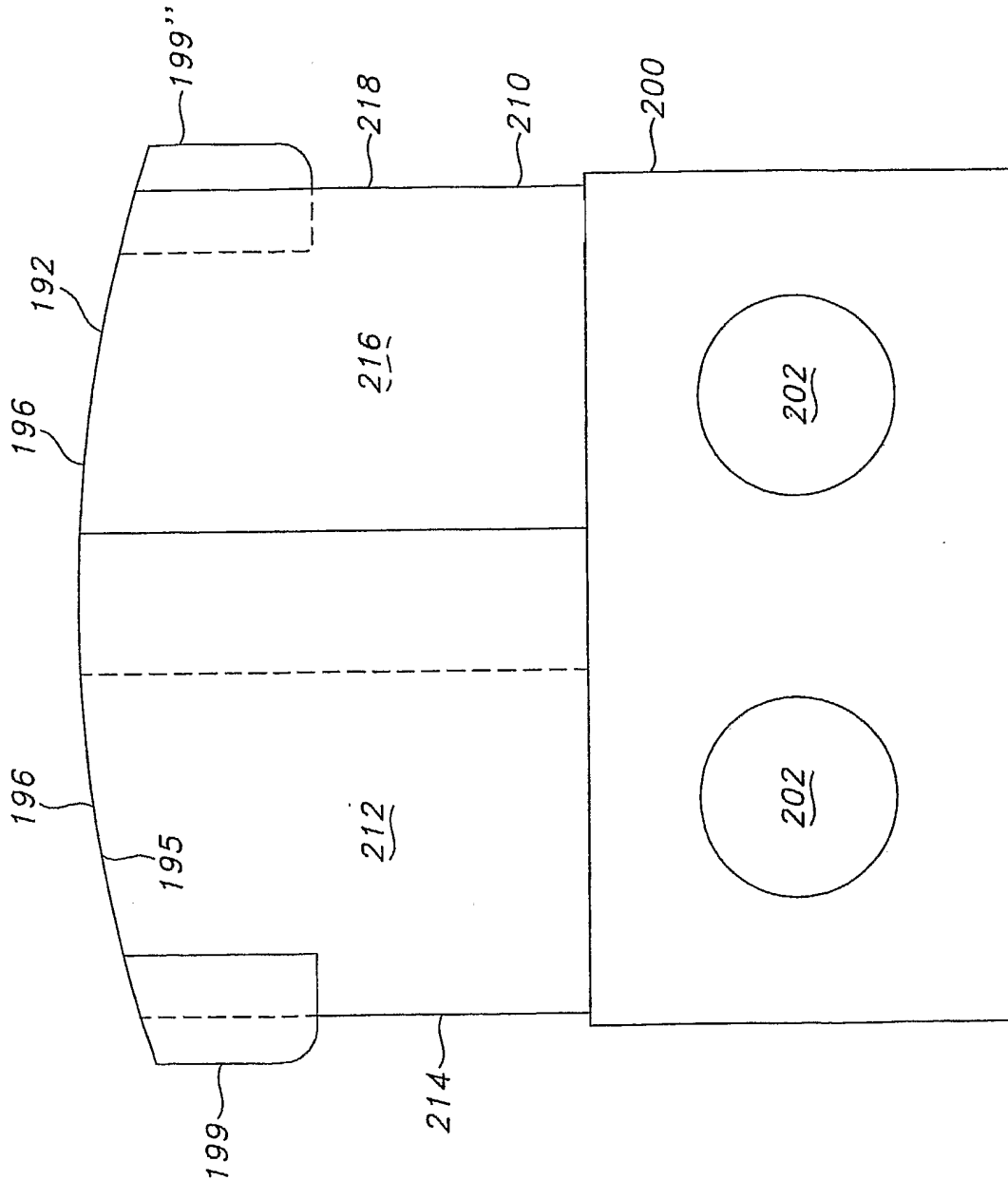


FIG. 15

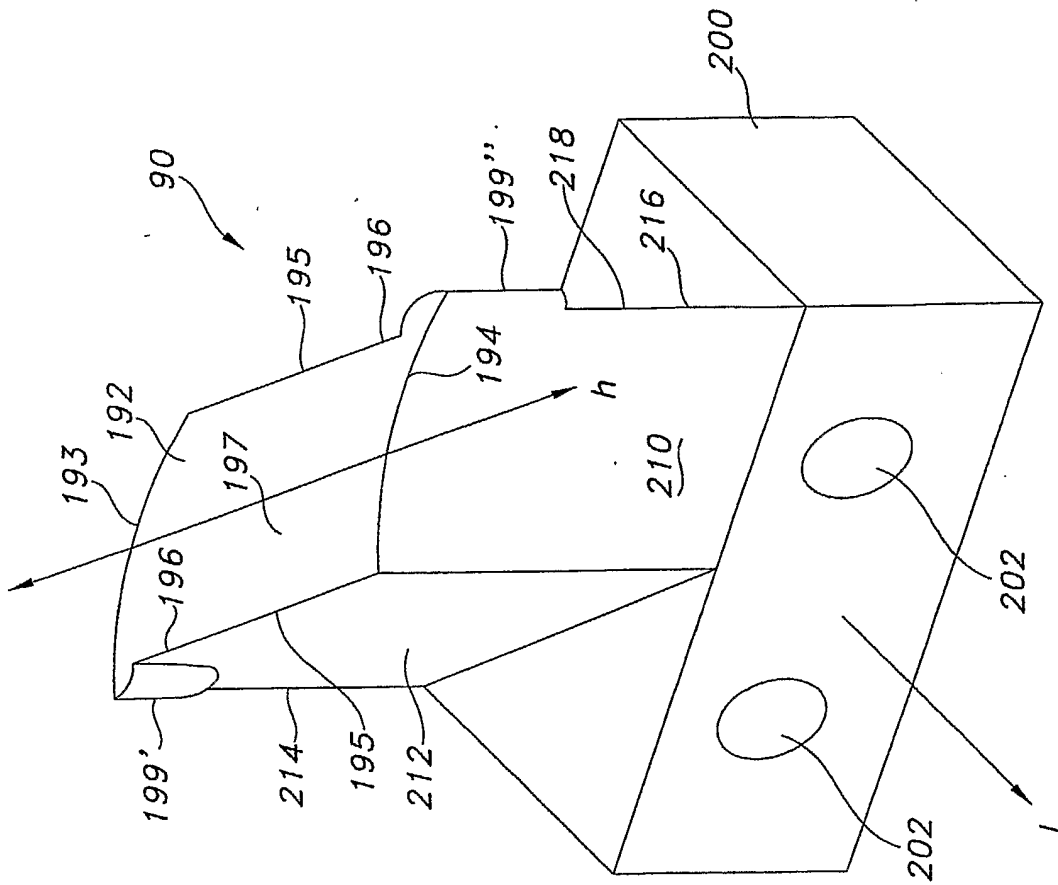


FIG. 16

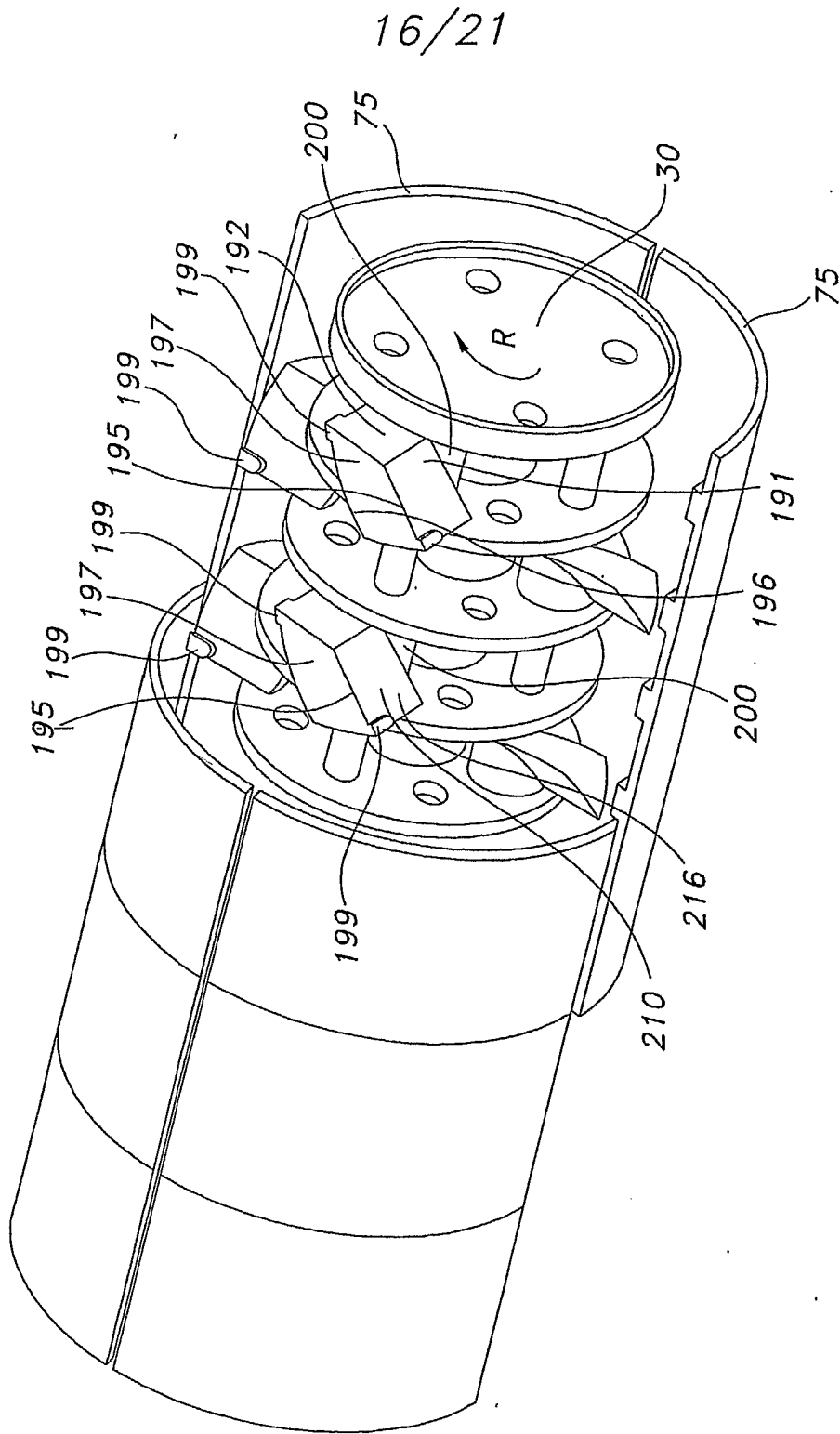


FIG. 17

17/21

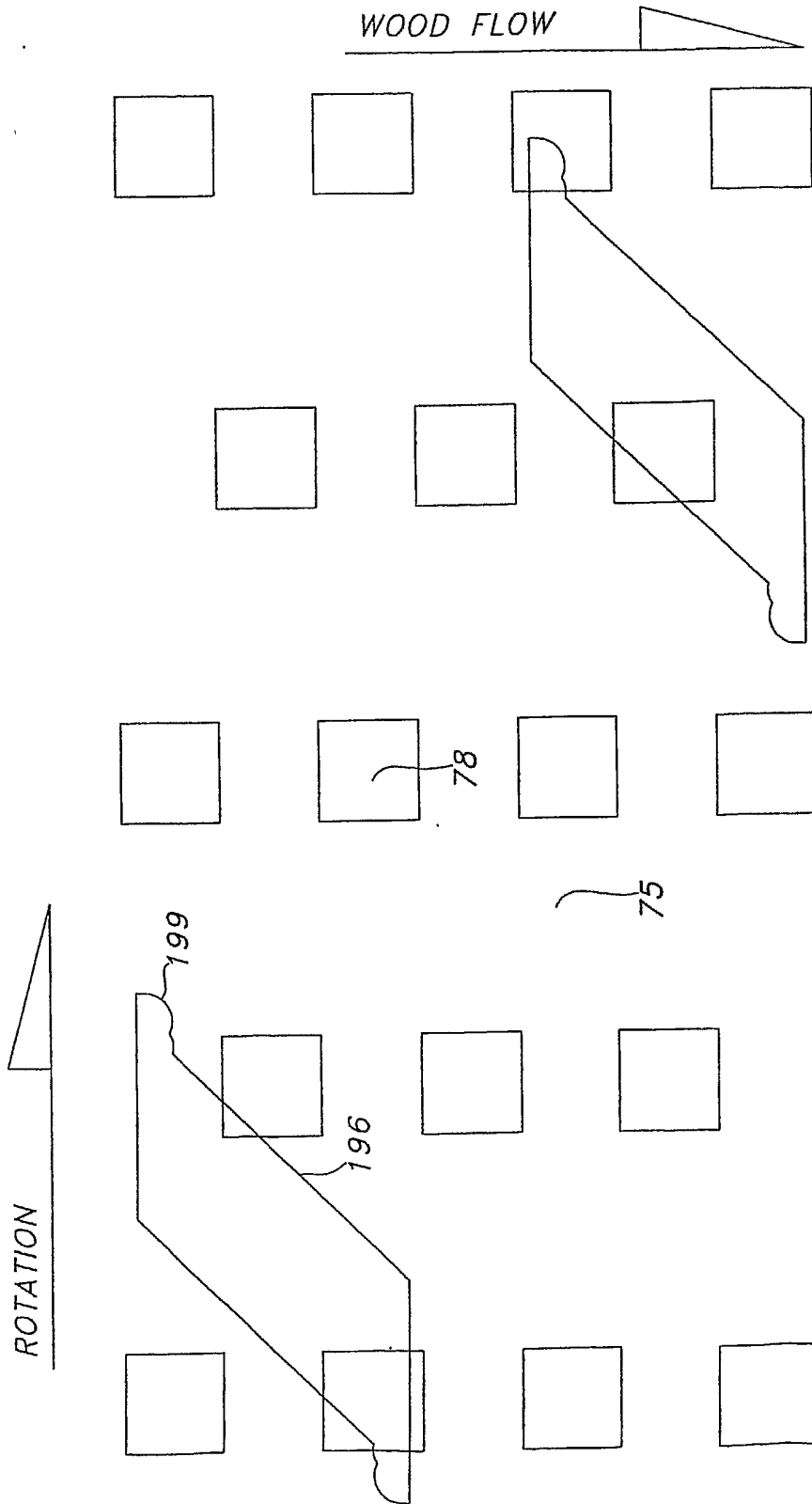


FIG. 18

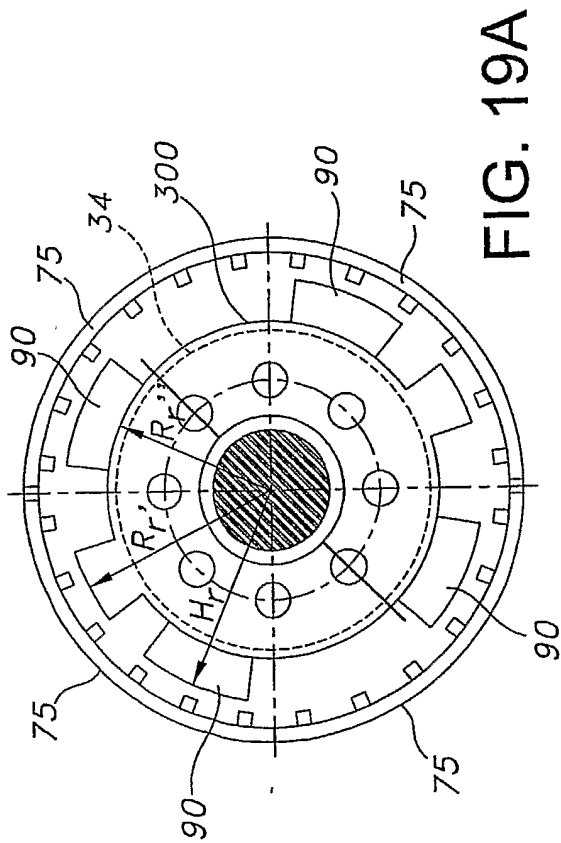


FIG. 19A

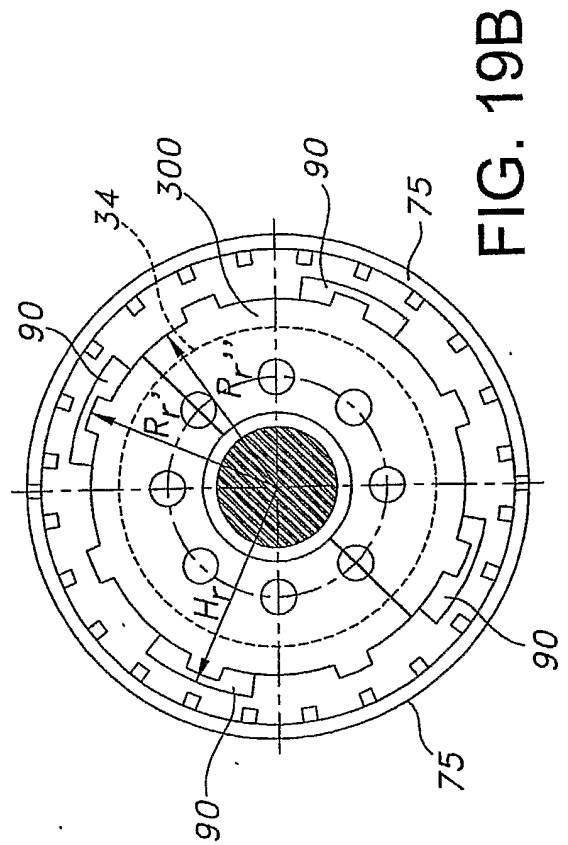


FIG. 19B

19/21

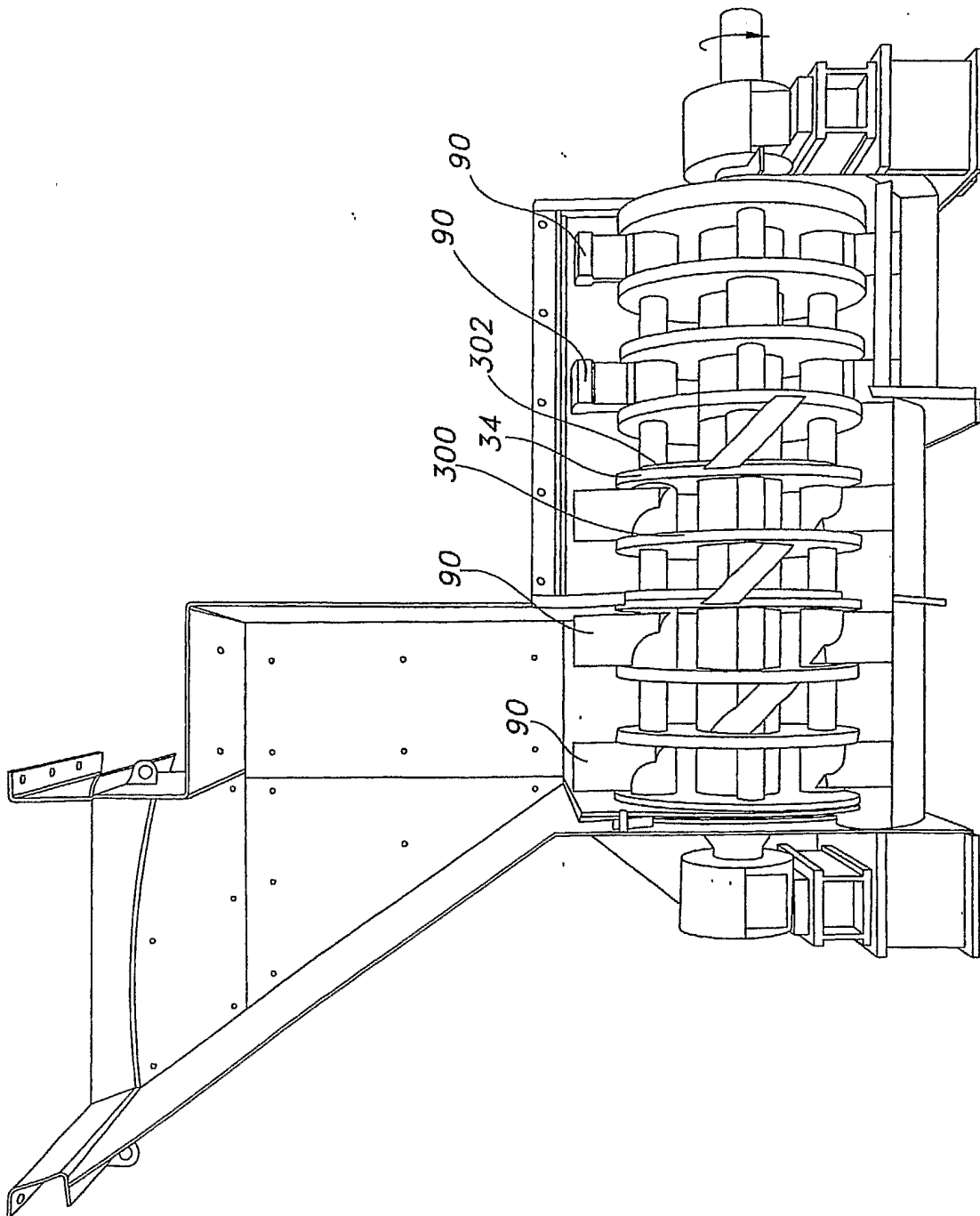


FIG. 20

20/21

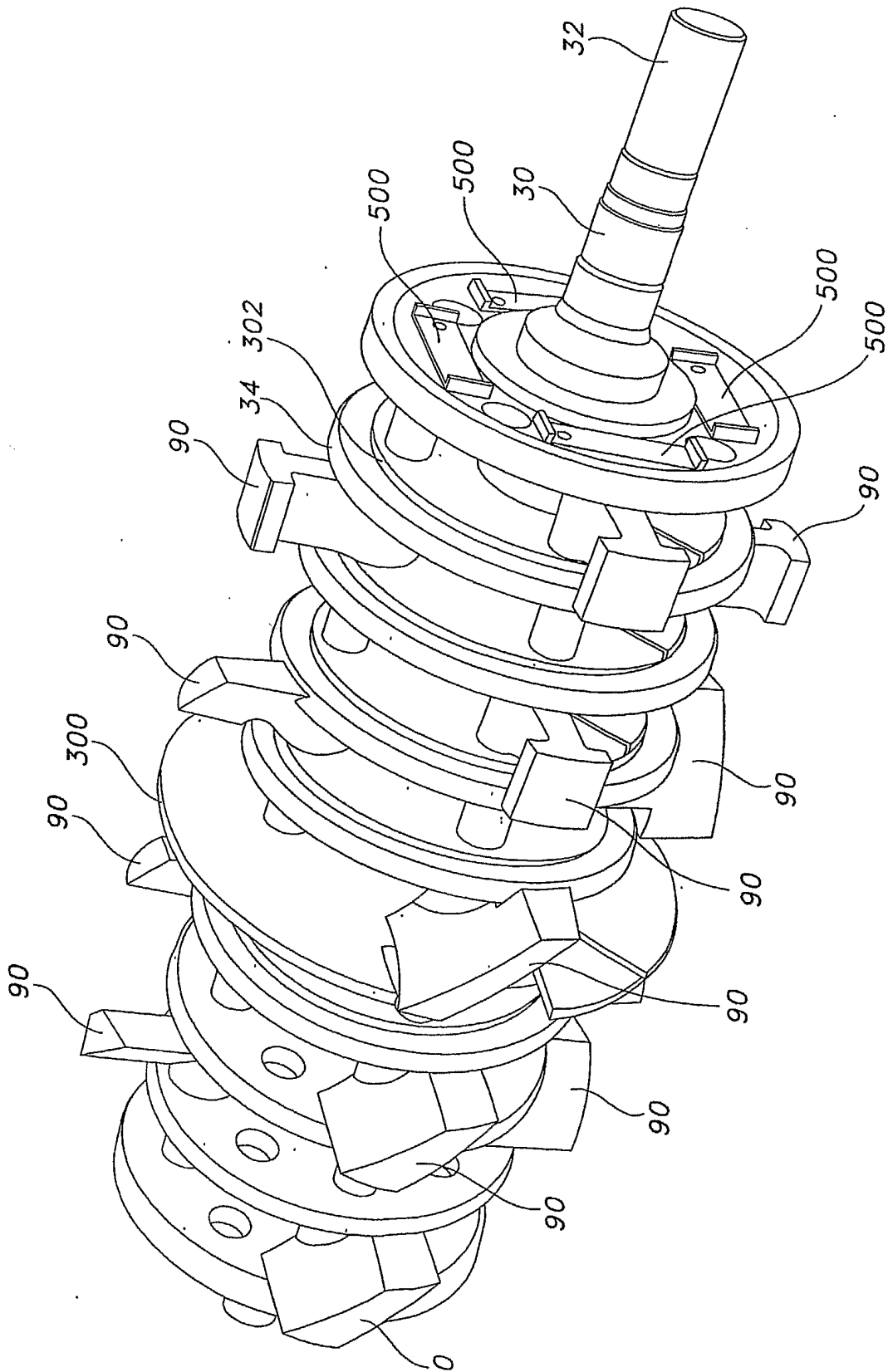


FIG. 21

21/21

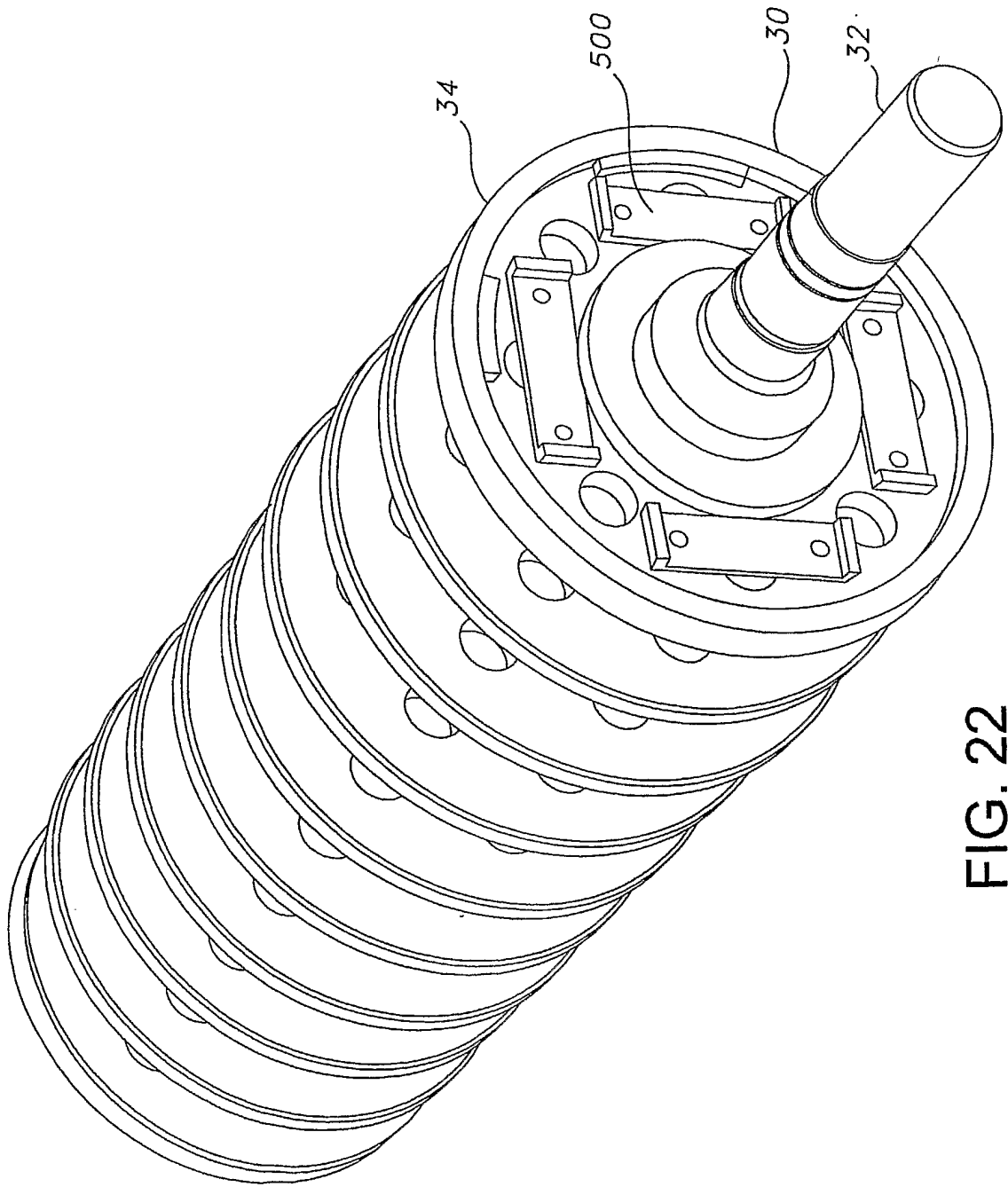


FIG. 22