



US00D543180S

(12) **United States Design Patent**
Ra

(10) **Patent No.:** **US D543,180 S**

(45) **Date of Patent:** **** May 22, 2007**

(54) **FOLDER-TYPE CELLULAR PHONE WITH DIGITAL CAMERA**

(76) Inventor: **Chan Ha Ra**, 201Ho, 852-1, Seojeong-dong, Pyeongtaek-si, Gyeonggi-do (KR)

(**) Term: **14 Years**

(21) Appl. No.: **29/252,564**

(22) Filed: **Jan. 25, 2006**

(30) **Foreign Application Priority Data**

Jul. 29, 2005 (KR) 30-2005-0025710

(51) **LOC (8) CL.** **14-03**

(52) **U.S. CL.** **D14/138**

(58) **Field of Classification Search** D14/137-138, D14/144, 147-148, 150, 218, 240, 242, 247-248, D14/341-347; D21/517; 379/433.01-433.13, 379/434; 455/575.1, 566, 556.1, 550.1-90.3; D10/104; D13/168

See application file for complete search history.

(56) **References Cited**

U.S. PATENT DOCUMENTS

- D299,252 S * 1/1989 Goldberg D18/7
- D312,423 S * 11/1990 Orlinsky et al. D10/104
- D321,187 S * 10/1991 Yang D14/150
- D357,685 S * 4/1995 Reardon et al. D14/242
- D422,587 S * 4/2000 Wild D14/138
- D428,350 S * 7/2000 Weingartner D10/104

- D473,546 S * 4/2003 Hovanky et al. D14/240
- D476,243 S * 6/2003 Houlihan D10/70
- D512,395 S * 12/2005 Kim et al.
- D513,505 S * 1/2006 Lee
- D524,253 S * 7/2006 Maeyama et al. D13/168
- 2002/0094846 A1 * 7/2002 Kishimoto et al. 455/566
- 2003/0199290 A1 * 10/2003 Viertola 455/575.1

* cited by examiner

Primary Examiner—Charles Rademaker
Assistant Examiner—Carla Jobe Wright
(74) *Attorney, Agent, or Firm*—Stites & Harbison PLLC; Douglas E. Jackson

(57) **CLAIM**

The ornamental design for a folder-type cellular phone with digital camera, as shown and described.

DESCRIPTION

FIG. 1 is a perspective front, top and left side view of the folder-type cellular phone with digital camera showing my new design.

FIG. 2 is front view thereof.

FIG. 3 is a rear view thereof.

FIG. 4 is a left side view thereof.

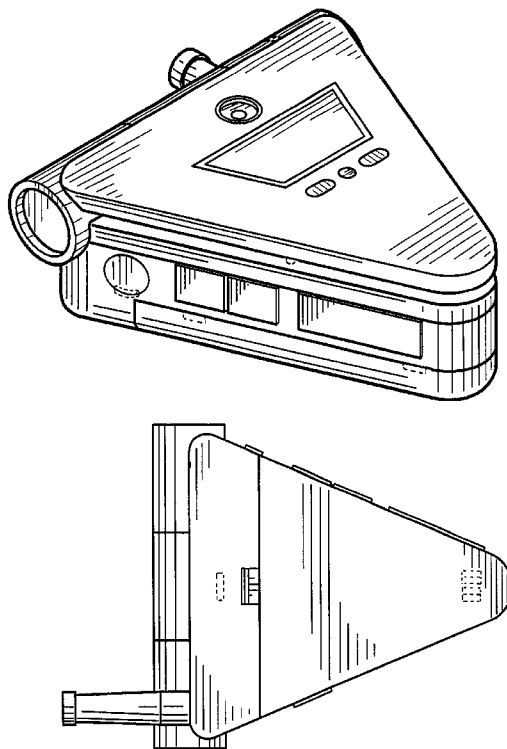
FIG. 5 is a right side view thereof.

FIG. 6 is a top view thereof; and,

FIG. 7 is a bottom view thereof.

The broken line showing of environmental features is for illustrative purposes only and forms no part of the claimed design.

1 Claim, 4 Drawing Sheets



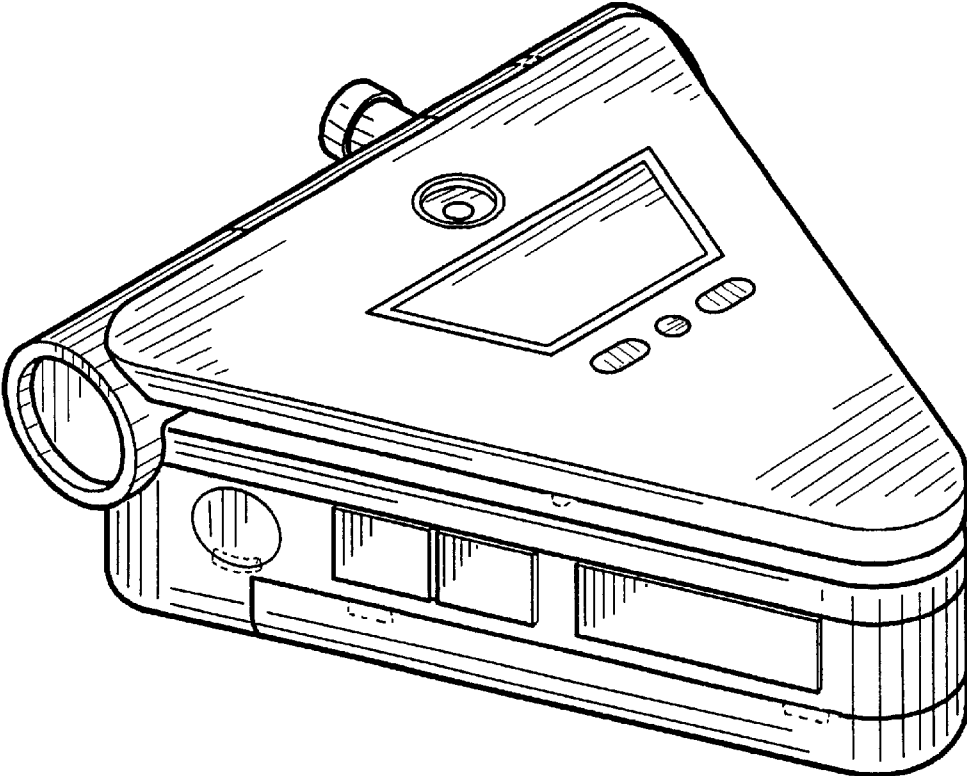


FIG. 1

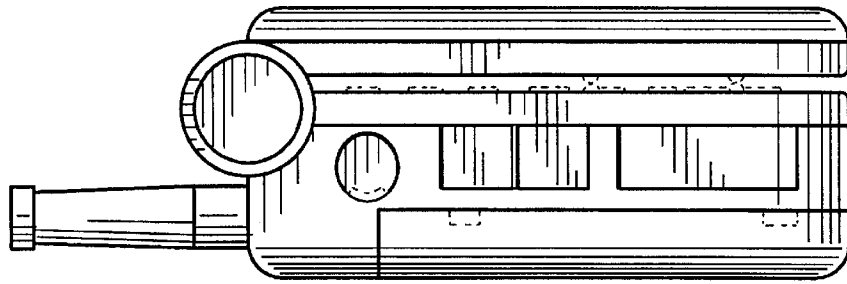


FIG. 2

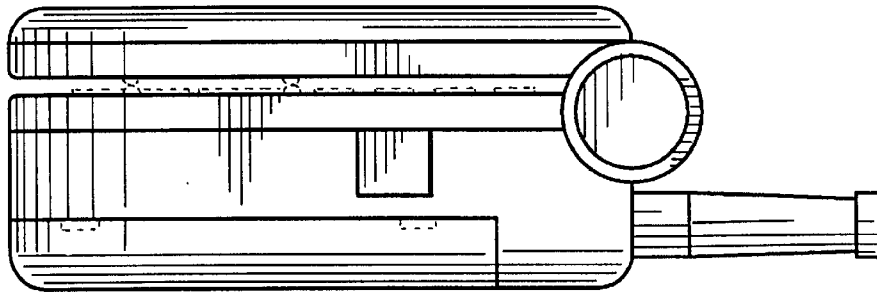


FIG. 3

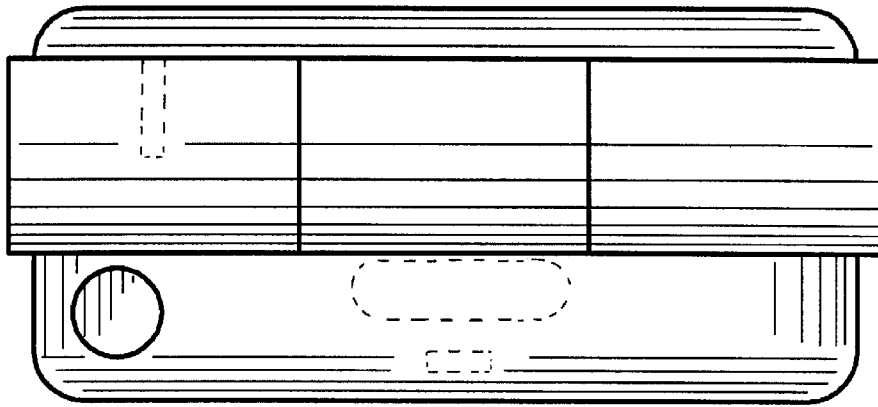


FIG. 4

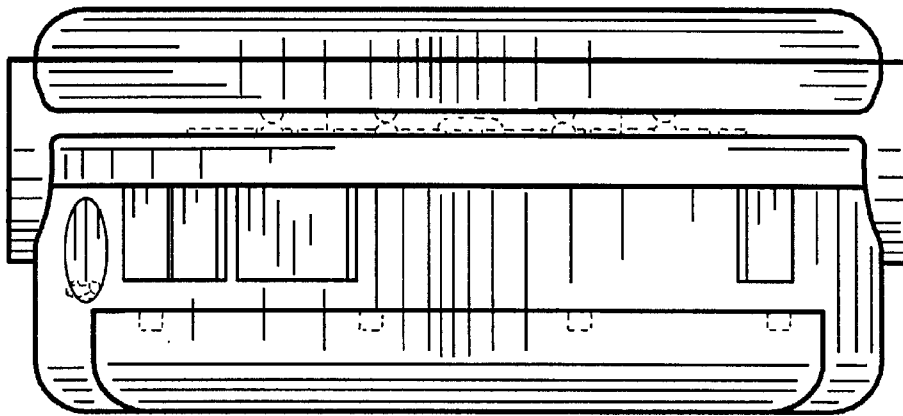


FIG. 5

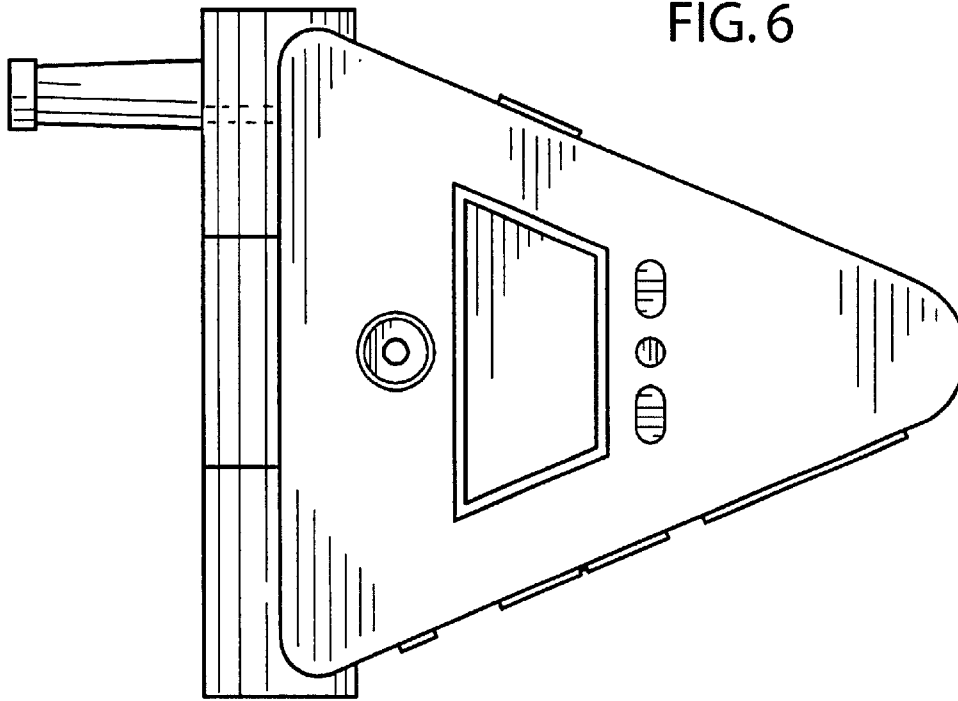


FIG. 6

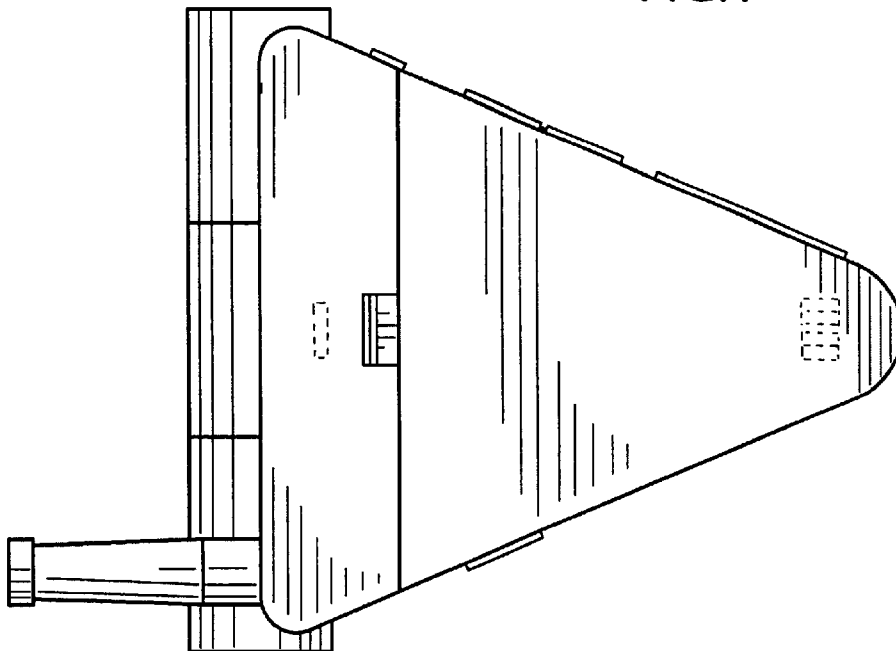


FIG. 7