



US00D413261S

**United States Patent** [19]  
**Yerich**

[11] **Patent Number: Des. 413,261**  
[45] **Date of Patent: \*\* Aug. 31, 1999**

[54] **FLORAL BOX WITH INSERT**

[75] Inventor: **Frank Yerich**, Houston, Tex.

[73] Assignee: **Formtex Plastics Corporation**,  
Houston, Tex.

[\*\*] Term: **14 Years**

[21] Appl. No.: **29/064,691**

[22] Filed: **Jan. 9, 1997**

[51] **LOC (6) Cl.** ..... **09-03**

[52] **U.S. Cl.** ..... **D9/426; D9/423; D9/424;**  
D11/143

[58] **Field of Search** ..... D11/143, 155,  
D11/156; 47/65.5, 66.6, 68, 71, 72, 39,  
40, 41.01; 206/423; D7/354, 586, 409;  
D9/423, 424, 425, 432, 426; 220/421-4.24;  
229/406

[56] **References Cited**

**U.S. PATENT DOCUMENTS**

D. 123,786	12/1940	Reens	.....	D11/156
D. 202,446	9/1965	Braun	.....	D9/423
D. 264,791	6/1982	Conti	.....	D9/424 X
D. 306,698	3/1990	Garcia	.....	D9/424
D. 360,132	7/1995	Ripley	.....	D9/423
1,568,742	1/1926	Jung	.....	D7/357 X
3,128,030	4/1964	Davies	.....	229/406

**OTHER PUBLICATIONS**

Thomas Mills Confectioners Machinery and Tools; Catalog U; p. 210; Counter pans FIG. 276, Aug. 1924.

*Primary Examiner*—Caron D. Veynar  
*Attorney, Agent, or Firm*—Wendy K. Buskop; Bayko Gibson et al.

[57] **CLAIM**

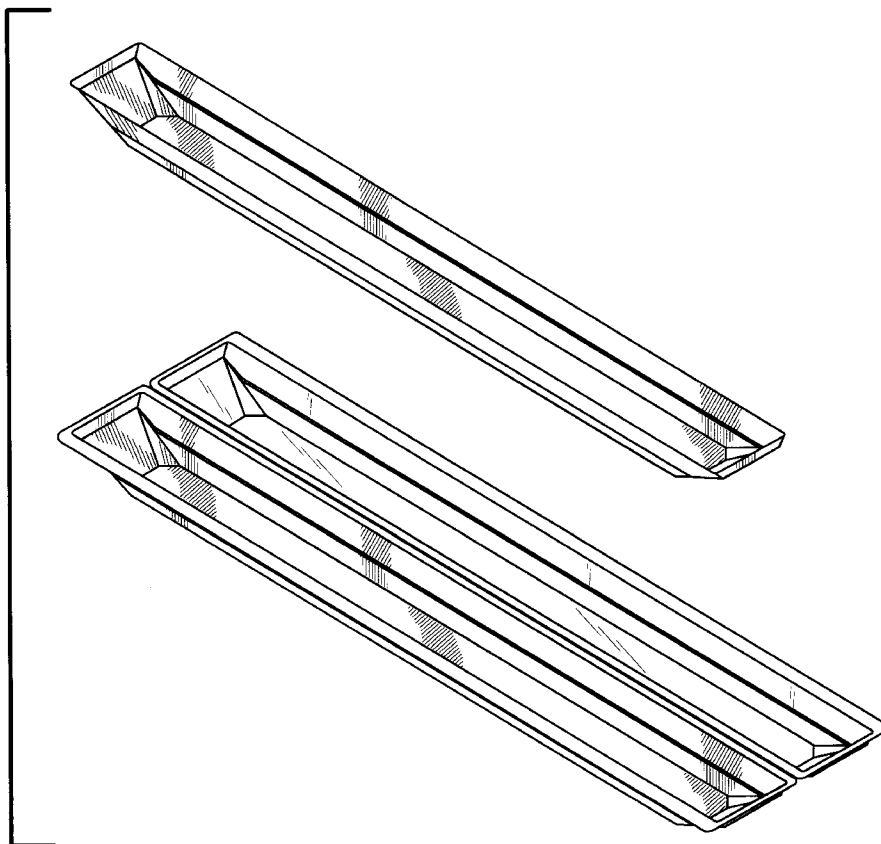
The ornamental design for a floral box with insert, as shown and described.

**DESCRIPTION**

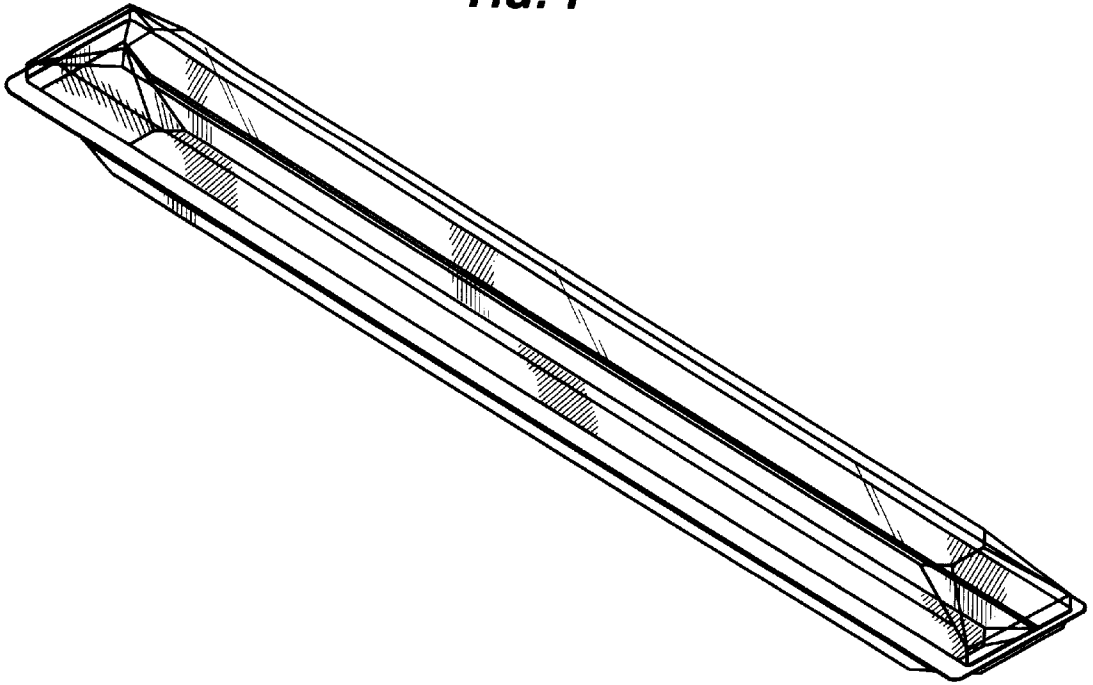
FIG. 1 is a top perspective view of a floral box with insert showing my new design;  
FIG. 2 is a bottom and rear perspective view thereof;  
FIG. 3 is a top perspective view of the insert shown separately for ease of illustration;  
FIG. 4 is a bottom plan view of the insert shown separately for ease of illustration;  
FIG. 5 is a side elevation view of the insert shown separately for ease of illustration, the opposite side view is identical;  
FIG. 6 is an end view of the insert thereof, the opposing end being a mirror image of the end view shown; and,  
FIG. 7 is an exploded perspective view of the floral box with insert.

The thickness shown is not an appreciable thickness.

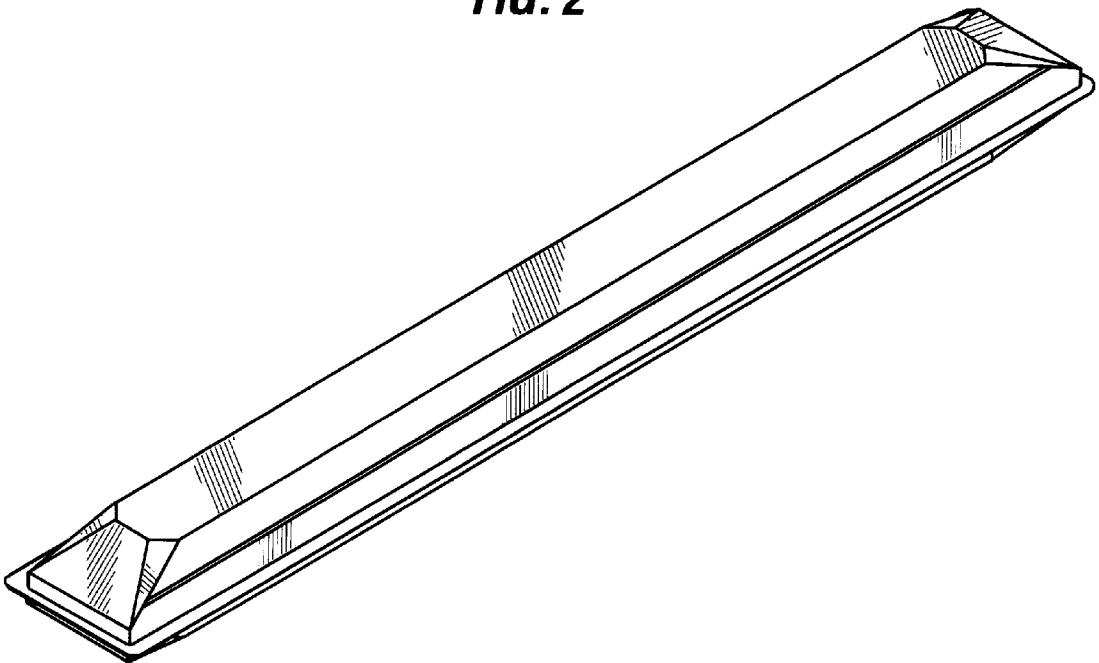
**1 Claim, 3 Drawing Sheets**



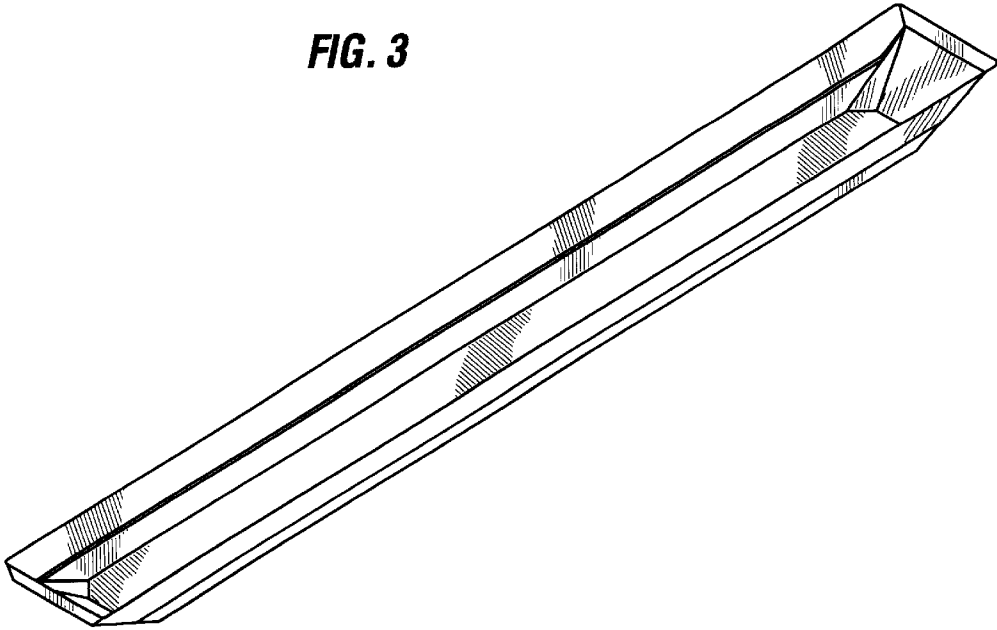
**FIG. 1**



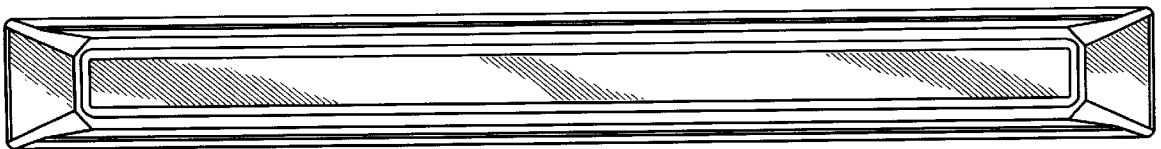
**FIG. 2**



**FIG. 3**



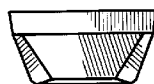
**FIG. 4**



**FIG. 5**



**FIG. 6**



**FIG. 7**

