

(19) World Intellectual Property Organization
International Bureau



(43) International Publication Date
27 December 2002 (27.12.2002)

PCT

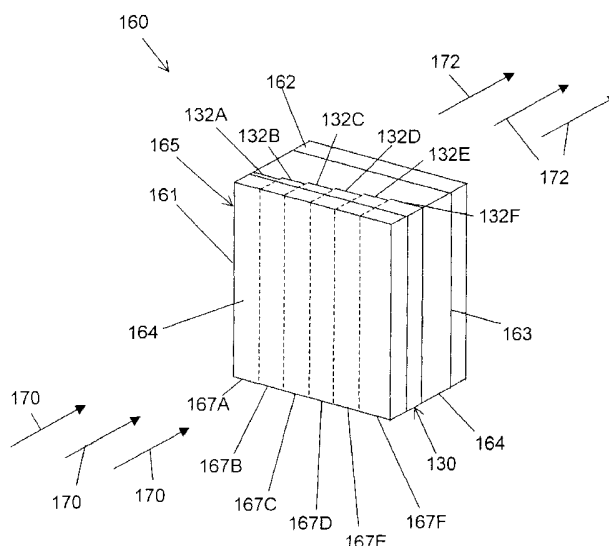
(10) International Publication Number
WO 02/103408 A3

- (51) International Patent Classification⁷: **G02B 27/00**
 - (21) International Application Number: PCT/US02/19168
 - (22) International Filing Date: 14 June 2002 (14.06.2002)
 - (25) Filing Language: English
 - (26) Publication Language: English
 - (30) Priority Data:

60/299,540	19 June 2001 (19.06.2001)	US
10/165,686	6 June 2002 (06.06.2002)	US
 - (71) Applicant (for all designated States except US): **TER-ALUM LLC** [US/US]; 200 Western Avenue, Brattleboro, VT 05301 (US).
 - (72) Inventor; and
 - (75) Inventor/Applicant (for US only): **JAIN, Ajaykumar, R.** [IN/US]; 565 Matadero Avenue, Apt.#9, Palo Alto, CA 94306 (US).
 - (74) Agents: **GALLENSON, Mavis, S.** et al.; LADAS & PARRY, 5670 Wilshire Blvd., Suite 2100, Los Angeles, CA 90036 (US).
 - (81) Designated States (national): AE, AG, AL, AM, AT, AU, AZ, BA, BB, BG, BR, BY, BZ, CA, CH, CN, CO, CR, CU, CZ, DE, DK, DM, DZ, EC, EE, ES, FI, GB, GD, GE, GH, GM, HR, HU, ID, IL, IN, IS, JP, KE, KG, KP, KR, KZ, LC, LK, LR, LS, LT, LU, LV, MA, MD, MG, MK, MN, MW, MX, MZ, NO, NZ, OM, PH, PL, PT, RO, RU, SD, SE, SG, SI, SK, SL, TJ, TM, TN, TR, TT, TZ, UA, UG, US, UZ, VN, YU, ZA, ZM, ZW.
 - (84) Designated States (regional): ARIPO patent (GH, GM, KE, LS, MW, MZ, SD, SL, SZ, TZ, UG, ZM, ZW), Eurasian patent (AM, AZ, BY, KG, KZ, MD, RU, TJ, TM), European patent (AT, BE, CH, CY, DE, DK, ES, FI, FR, GB, GR, IE, IT, LU, MC, NL, PT, SE, TR), OAPI patent (BF, BJ, CF, CG, CI, CM, GA, GN, GQ, GW, ML, MR, NE, SN, TD, TG).
- Published:**
— with international search report

[Continued on next page]

(54) Title: OPTICAL DEVICE FOR DISPERSION COMPENSATION



(57) Abstract: An optical device for receiving input light (170) and for acting on the input light to produce output light (172) includes a first reflector (165) and a second reflector (163) supported in a spaced-apart, confronting relationship with the first reflector such that the input light received by the optical device, at least potentially, undergoes multiple reflections between the first and second reflectors. At least a selected one of the first and second reflectors is configured to subject each one of the plurality of different portions of the input light to one of the plurality of different reflectance values to produce an emitted light passing through at least the selected reflector in a way which is combinable to generate the output light.



WO 02/103408 A3



(88) Date of publication of the international search report:
3 April 2003

For two-letter codes and other abbreviations, refer to the "Guidance Notes on Codes and Abbreviations" appearing at the beginning of each regular issue of the PCT Gazette.

INTERNATIONAL SEARCH REPORT

International application No.

PCT/US02/19168

A. CLASSIFICATION OF SUBJECT MATTER

IPC(7) : G02B 27/00

US CL : 359/578

According to International Patent Classification (IPC) or to both national classification and IPC

B. FIELDS SEARCHED

Minimum documentation searched (classification system followed by classification symbols)

U.S. : 359/578, 577, 260, 261; 372/92, 99; 356/454, 506

Documentation searched other than minimum documentation to the extent that such documents are included in the fields searched
NONE

Electronic data base consulted during the international search (name of data base and, where practicable, search terms used)
USPTO APS EAST

C. DOCUMENTS CONSIDERED TO BE RELEVANT

Category *	Citation of document, with indication, where appropriate, of the relevant passages	Relevant to claim No.
X,P --- Y,P	US 6,292,299 B1 (LIOU) 18 September 2001 (18.9.2001), see entire document, particularly Figures 1,3,4.	1-10,16,20,25-27,35-37,40-41,43,45-46,56-62,64,67,71,74-76,84-87,89 ----- 29-32,38-39,78-81
X,P --- Y,P	US 6,323,987 B1 (RINAUDO et al) 27 November 2001 (27.11.2001), see entire document, particularly Figures 3A-3D,4,5A-5C.	1-15,17-28,33-37,40-66,68-77,82-89 ----- 29-32,38-39,78-81
X --- Y	US 4,822,998 A (YOKOTA et al) 18 April 1989 (18.4.1989), see entire document, particularly Figure 1.	1-15,17,20-28,33-37,40-46,51,53-66,68,71-77,82-89 ----- 29-32,38-39,78-81

Further documents are listed in the continuation of Box C.

See patent family annex.

* Special categories of cited documents:

"A" document defining the general state of the art which is not considered to be of particular relevance	"T" later document published after the international filing date or priority date and not in conflict with the application but cited to understand the principle or theory underlying the invention
"E" earlier application or patent published on or after the international filing date	"X" document of particular relevance; the claimed invention cannot be considered novel or cannot be considered to involve an inventive step when the document is taken alone
"L" document which may throw doubts on priority claim(s) or which is cited to establish the publication date of another citation or other special reason (as specified)	"Y" document of particular relevance; the claimed invention cannot be considered to involve an inventive step when the document is combined with one or more other such documents, such combination being obvious to a person skilled in the art
"O" document referring to an oral disclosure, use, exhibition or other means	"&" document member of the same patent family
"P" document published prior to the international filing date but later than the priority date claimed	

Date of the actual completion of the international search

27 August 2002 (27.08.2002)

Date of mailing of the international search report

02 DEC 2002

Name and mailing address of the ISA/US

Commissioner of Patents and Trademarks
Box PCT
Washington, D.C. 20231

Facsimile No. (703) 305-3230

Authorized officer

LAVARIAS ARNEL

Telephone No. (703) 308-1782

