



- (51) International Patent Classification:
A61B 19/00 (2006.01)
- (21) International Application Number:
PCT/IB2012/002462
- (22) International Filing Date:
23 November 2012 (23.11.2012)
- (25) Filing Language: English
- (26) Publication Language: English
- (30) Priority Data:
61/563,119 23 November 2011 (23.11.2011) US
13/683,572 21 November 2012 (21.11.2012) US
- (71) Applicant: NORTHGATE TECHNOLOGIES INC.
[US/US]; 1591 Scottsdale Court, Elgin, IL 60124 (US).
- (72) Inventors: MANTELL, Robert; 1128 E. Valley Lane, Arlington Heights, IL 60004 (US). CURTIS, Chip; 210 3rd Street, West Dundee, IL 60118 (US). WEAVER, Steven; 540 W. Division St., Itasca, IL 60143 (US). ANDERSON, Eric; 579 W. Parkside Dr., Palatine, IL 60067 (US).
- (81) Designated States (unless otherwise indicated, for every kind of national protection available): AE, AG, AL, AM, AO, AT, AU, AZ, BA, BB, BG, BH, BN, BR, BW, BY, BZ, CA, CH, CL, CN, CO, CR, CU, CZ, DE, DK, DM, DO, DZ, EC, EE, EG, ES, FI, GB, GD, GE, GH, GM, GT,

HN, HR, HU, ID, IL, IN, IS, JP, KE, KG, KM, KN, KP, KR, KZ, LA, LC, LK, LR, LS, LT, LU, LY, MA, MD, ME, MG, MK, MN, MW, MX, MY, MZ, NA, NG, NI, NO, NZ, OM, PA, PE, PG, PH, PL, PT, QA, RO, RS, RU, RW, SC, SD, SE, SG, SK, SL, SM, ST, SV, SY, TH, TJ, TM, TN, TR, TT, TZ, UA, UG, US, UZ, VC, VN, ZA, ZM, ZW.

(84) Designated States (unless otherwise indicated, for every kind of regional protection available): ARIPO (BW, GH, GM, KE, LR, LS, MW, MZ, NA, RW, SD, SL, SZ, TZ, UG, ZM, ZW), Eurasian (AM, AZ, BY, KG, KZ, RU, TJ, TM), European (AL, AT, BE, BG, CH, CY, CZ, DE, DK, EE, ES, FI, FR, GB, GR, HR, HU, IE, IS, IT, LT, LU, LV, MC, MK, MT, NL, NO, PL, PT, RO, RS, SE, SI, SK, SM, TR), OAPI (BF, BJ, CF, CG, CI, CM, GA, GN, GQ, GW, ML, MR, NE, SN, TD, TG).

Published:

- with international search report (Art. 21(3))
- before the expiration of the time limit for amending the claims and to be republished in the event of receipt of amendments (Rule 48.2(h))

(88) Date of publication of the international search report:
18 July 2013

(54) Title: SYSTEM FOR IDENTIFYING THE PRESENCE AND CORRECTNESS OF A MEDICAL DEVICE ACCESSORY

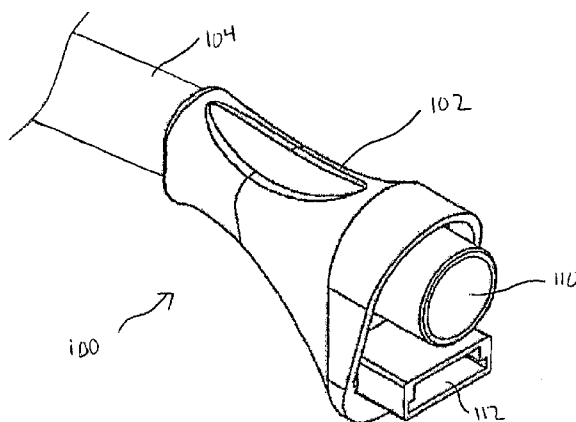


FIGURE 1

(57) Abstract: A medical device accessory (100) comprising an interface (110) configured to connect the medical device accessory with a medical device for administration of a medical treatment using the medical device and the medical device accessory, a plurality of electrical contacts (116, 118, 120, 122, 124) proximate the interface, the electrical contacts comprising a lead electrical contact adapted to receive an voltage from a power source associated with the medical device, and one or more identifying electrical contacts, and at least one conductor (126, 128) providing an electrical connection between the lead electrical contact and one or more of the identifying electrical contacts. An arrangement of one or more identifying electrical contacts connected to the lead electrical contact identifies a characteristic of the medical device accessory.



INTERNATIONAL SEARCH REPORT

International application No
PCT/IB2012/002462

A. CLASSIFICATION OF SUBJECT MATTER
INV. A61B19/00
ADD.

According to International Patent Classification (IPC) or to both national classification and IPC

B. FIELDS SEARCHED
Minimum documentation searched (classification system followed by classification symbols)
A61B

Documentation searched other than minimum documentation to the extent that such documents are included in the fields searched

Electronic data base consulted during the international search (name of data base and, where practicable, search terms used)
EPO-Internal

C. DOCUMENTS CONSIDERED TO BE RELEVANT

Category*	Citation of document, with indication, where appropriate, of the relevant passages	Relevant to claim No.
X	US 2010/069939 A1 (KONISHI SUMIHITO [JP]) 18 March 2010 (2010-03-18) paragraph [0027] - paragraph [0099]; figures	1,4,5,7, 9,11
X	EP 1 439 026 A1 (ARMSTRONG HEALTHCARE LTD [GB] PROSURGICS LTD [GB]) 21 July 2004 (2004-07-21) paragraph [0024] - paragraph [0037]; figures	1-9,11, 12
X	WO 2006/017334 A2 (BIOLASE TECH INC [US]; BOUTOUSSOV DMITRI [US]) 16 February 2006 (2006-02-16) page 2, last paragraph - page 15, line 9; figures	1,4-9,11
	----- -/--	

Further documents are listed in the continuation of Box C.

See patent family annex.

* Special categories of cited documents :

- "A" document defining the general state of the art which is not considered to be of particular relevance
- "E" earlier application or patent but published on or after the international filing date
- "L" document which may throw doubts on priority claim(s) or which is cited to establish the publication date of another citation or other special reason (as specified)
- "O" document referring to an oral disclosure, use, exhibition or other means
- "P" document published prior to the international filing date but later than the priority date claimed

- "T" later document published after the international filing date or priority date and not in conflict with the application but cited to understand the principle or theory underlying the invention
- "X" document of particular relevance; the claimed invention cannot be considered novel or cannot be considered to involve an inventive step when the document is taken alone
- "Y" document of particular relevance; the claimed invention cannot be considered to involve an inventive step when the document is combined with one or more other such documents, such combination being obvious to a person skilled in the art
- "&" document member of the same patent family

Date of the actual completion of the international search 19 March 2013	Date of mailing of the international search report 28/05/2013
Name and mailing address of the ISA/ European Patent Office, P.B. 5818 Patentlaan 2 NL - 2280 HV Rijswijk Tel. (+31-70) 340-2040, Fax: (+31-70) 340-3016	Authorized officer Nistor, Loredana

INTERNATIONAL SEARCH REPORT

International application No
PCT/IB2012/002462

C(Continuation). DOCUMENTS CONSIDERED TO BE RELEVANT		
Category*	Citation of document, with indication, where appropriate, of the relevant passages	Relevant to claim No.
X	GB 2 369 057 A (LYNTON LASERS LTD [GB]) 22 May 2002 (2002-05-22) page 5, line 22 - page 8, line 19; figures -----	1,4,6-11
X	US 2010/016855 A1 (RAMSTEIN CHRISTOPHE [US] ET AL) 21 January 2010 (2010-01-21) paragraph [0019] - paragraph [0026]; figures -----	1,4-8, 10,11
X	US 6 077 272 A (MCCARY BRIAN DOUGLAS [US] ET AL) 20 June 2000 (2000-06-20) column 4, line 19 - column 5, line 9; figures -----	1,6,8-11
X	US 2009/065565 A1 (CAO MICHAEL [US]) 12 March 2009 (2009-03-12) paragraph [0026] - paragraph [0038]; figures -----	1,6,11

INTERNATIONAL SEARCH REPORT

Information on patent family members

International application No PCT/IB2012/002462

Patent document cited in search report	Publication date	Patent family member(s)	Publication date	
US 2010069939	A1	18-03-2010	JP 2010063883 A US 2010069939 A1	25-03-2010 18-03-2010
EP 1439026	A1	21-07-2004	AT 361814 T DE 60313728 T2 EP 1439026 A1 GB 2397234 A US 2004142803 A1	15-06-2007 16-08-2007 21-07-2004 21-07-2004 22-07-2004
WO 2006017334	A2	16-02-2006	AU 2005271779 A1 EP 1782116 A2 JP 2008506991 A US 2006083466 A1 US 2008025675 A1 WO 2006017334 A2	16-02-2006 09-05-2007 06-03-2008 20-04-2006 31-01-2008 16-02-2006
GB 2369057	A	22-05-2002	NONE	
US 2010016855	A1	21-01-2010	CN 102088914 A EP 2323564 A1 JP 2011528261 A US 2010016855 A1 WO 2010008663 A1	08-06-2011 25-05-2011 17-11-2011 21-01-2010 21-01-2010
US 6077272	A	20-06-2000	NONE	
US 2009065565	A1	12-03-2009	CA 2699508 A1 EP 2187828 A1 US 2009065565 A1 WO 2009035886 A1	19-03-2009 26-05-2010 12-03-2009 19-03-2009

INTERNATIONAL SEARCH REPORT

International application No.
PCT/IB2012/002462

Box No. II Observations where certain claims were found unsearchable (Continuation of item 2 of first sheet)

This international search report has not been established in respect of certain claims under Article 17(2)(a) for the following reasons:

1. Claims Nos.:
because they relate to subject matter not required to be searched by this Authority, namely:

2. Claims Nos.:
because they relate to parts of the international application that do not comply with the prescribed requirements to such an extent that no meaningful international search can be carried out, specifically:

3. Claims Nos.:
because they are dependent claims and are not drafted in accordance with the second and third sentences of Rule 6.4(a).

Box No. III Observations where unity of invention is lacking (Continuation of item 3 of first sheet)

This International Searching Authority found multiple inventions in this international application, as follows:

see additional sheet

1. As all required additional search fees were timely paid by the applicant, this international search report covers all searchable claims.

2. As all searchable claims could be searched without effort justifying an additional fees, this Authority did not invite payment of additional fees.

3. As only some of the required additional search fees were timely paid by the applicant, this international search report covers only those claims for which fees were paid, specifically claims Nos.:

4. No required additional search fees were timely paid by the applicant. Consequently, this international search report is restricted to the invention first mentioned in the claims; it is covered by claims Nos.:

1-12

Remark on Protest

- The additional search fees were accompanied by the applicant's protest and, where applicable, the payment of a protest fee.
- The additional search fees were accompanied by the applicant's protest but the applicable protest fee was not paid within the time limit specified in the invitation.
- No protest accompanied the payment of additional search fees.

FURTHER INFORMATION CONTINUED FROM PCT/ISA/ 210

This International Searching Authority found multiple (groups of) inventions in this international application, as follows:

1. claims: 1-12

A medical device accessory with an interface configured to connect the medical device accessory with a medical device, a plurality of electrical contacts proximate the interface, comprising a lead electrical contact adapted to receive a voltage from a power source associated with the medical device and one or more identifying electrical contacts; and, at least one conductor providing an electrical connection between the lead electrical contact and the one or more identifying electrical contacts; wherein an arrangement of the one or more identifying electrical contacts connected to the lead electrical contact identifies a characteristic of the medical device accessory.

2. claims: 13-23

A medical device accessory with an interface configured to connect the medical device accessory with a medical device, a plurality of tabs proximate the interface configured to engage a plurality of corresponding switching elements associated with the medical device upon connection of the medical device accessory with the medical device; wherein an arrangement of the plurality of tabs identifies a characteristic of the medical device accessory.

3. claim: 24

A medical device accessory with an interface configured to connect the medical device accessory with a medical device; a tab proximate the interface configured to engage and move a corresponding switching element associated with the medical device from a first position to a second position upon connection of the medical device accessory with the medical device, wherein the tab is breakable upon engagement with the switching element to provide an indication of prior use of the medical device accessory.
