



- (51) International Patent Classification:
E04C 1/39 (2006.01) *F24F 13/08* (2006.01)
- (21) International Application Number:
PCT/GB2013/051673
- (22) International Filing Date:
25 June 2013 (25.06.2013)
- (25) Filing Language: English
- (26) Publication Language: English
- (30) Priority Data:
1211304.9 26 June 2012 (26.06.2012) GB
- (72) Inventor; and
- (71) Applicant : **CARR, Tony** [GB/GB]; 65 Hawthorn Road, Hornsey, London, N8 7LY (GB).
- (74) Agents: **ROBEY, James** et al.; Wilson Gunn, 5th Floor, Blackfriars House, The Parsonage, Manchester, Lancashire M3 2JA (GB).
- (81) Designated States (unless otherwise indicated, for every kind of national protection available): AE, AG, AL, AM, AO, AT, AU, AZ, BA, BB, BG, BH, BN, BR, BW, BY, BZ, CA, CH, CL, CN, CO, CR, CU, CZ, DE, DK, DM,

DO, DZ, EC, EE, EG, ES, FI, GB, GD, GE, GH, GM, GT, HN, HR, HU, ID, IL, IN, IS, JP, KE, KG, KN, KP, KR, KZ, LA, LC, LK, LR, LS, LT, LU, LY, MA, MD, ME, MG, MK, MN, MW, MX, MY, MZ, NA, NG, NI, NO, NZ, OM, PA, PE, PG, PH, PL, PT, QA, RO, RS, RU, RW, SC, SD, SE, SG, SK, SL, SM, ST, SV, SY, TH, TJ, TM, TN, TR, TT, TZ, UA, UG, US, UZ, VC, VN, ZA, ZM, ZW.

(84) Designated States (unless otherwise indicated, for every kind of regional protection available): ARIPO (BW, GH, GM, KE, LR, LS, MW, MZ, NA, RW, SD, SL, SZ, TZ, UG, ZM, ZW), Eurasian (AM, AZ, BY, KG, KZ, RU, TJ, TM), European (AL, AT, BE, BG, CH, CY, CZ, DE, DK, EE, ES, FI, FR, GB, GR, HR, HU, IE, IS, IT, LT, LU, LV, MC, MK, MT, NL, NO, PL, PT, RO, RS, SE, SI, SK, SM, TR), OAPI (BF, BJ, CF, CG, CI, CM, GA, GN, GQ, GW, KM, ML, MR, NE, SN, TD, TG).

Published:
— with international search report (Art. 21(3))
— before the expiration of the time limit for amending the claims and to be republished in the event of receipt of amendments (Rule 48.2(h))

[Continued on next page]

(54) Title: VENTILATION UNITS

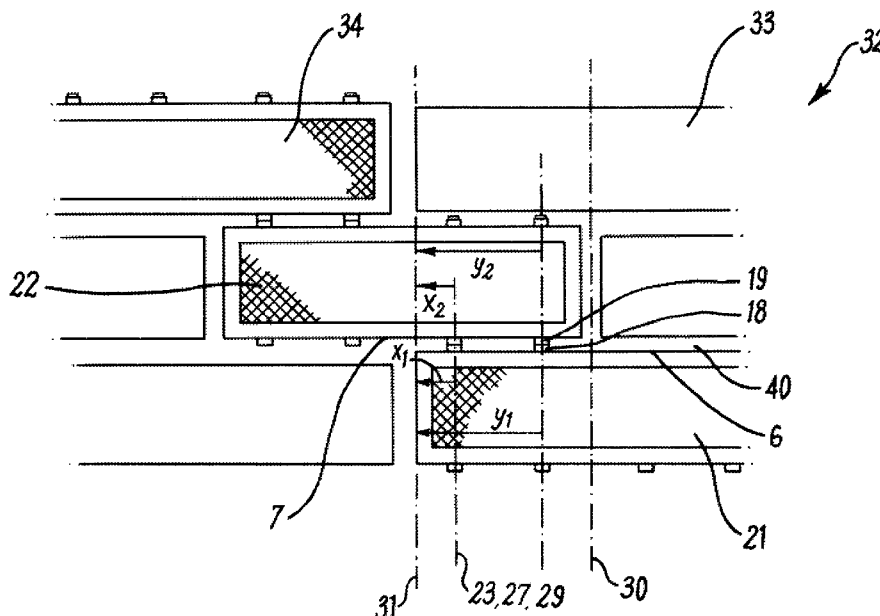


Fig. 11

(57) Abstract: A set of ventilation units comprises a first and second ventilation unit, wherein a surface of the first ventilation unit is provided with at least one formation and a surface of the second ventilation unit is provided with at least one co-operating formation. The formation(s) and co-operating formation(s) is/are engageable with one another in a direction substantially perpendicular to said surface of the first ventilation unit and/or said surface of the second ventilation unit.



(88) Date of publication of the international search report:
24 July 2014

INTERNATIONAL SEARCH REPORT

International application No
PCT/GB2013/051673

A. CLASSIFICATION OF SUBJECT MATTER
INV. E04C1/392 F24F13/08
ADD.
According to International Patent Classification (IPC) or to both national classification and IPC

B. FIELDS SEARCHED
Minimum documentation searched (classification system followed by classification symbols)
E04C F24F

Documentation searched other than minimum documentation to the extent that such documents are included in the fields searched

Electronic data base consulted during the international search (name of data base and, where practicable, search terms used)
EPO-Internal

C. DOCUMENTS CONSIDERED TO BE RELEVANT

Category*	Citation of document, with indication, where appropriate, of the relevant passages	Relevant to claim No.
X	FR 1 287 951 A (NICOLL RACCORDS PLASTIQUES) 16 March 1962 (1962-03-16) the whole document -----	1-41
X	DE 20 35 087 A1 (AUPMANN OHG KAMINTUERENFABRIK) 20 January 1972 (1972-01-20) the whole document -----	1-41
X	DE 31 49 054 A1 (RIEGELHOF & GAERTNER [DE]) 23 June 1983 (1983-06-23) the whole document -----	1-41

Further documents are listed in the continuation of Box C.

See patent family annex.

* Special categories of cited documents :

- "A" document defining the general state of the art which is not considered to be of particular relevance
- "E" earlier application or patent but published on or after the international filing date
- "L" document which may throw doubts on priority claim(s) or which is cited to establish the publication date of another citation or other special reason (as specified)
- "O" document referring to an oral disclosure, use, exhibition or other means
- "P" document published prior to the international filing date but later than the priority date claimed

- "T" later document published after the international filing date or priority date and not in conflict with the application but cited to understand the principle or theory underlying the invention
- "X" document of particular relevance; the claimed invention cannot be considered novel or cannot be considered to involve an inventive step when the document is taken alone
- "Y" document of particular relevance; the claimed invention cannot be considered to involve an inventive step when the document is combined with one or more other such documents, such combination being obvious to a person skilled in the art
- "&" document member of the same patent family

Date of the actual completion of the international search
27 May 2014

Date of mailing of the international search report
03/06/2014

Name and mailing address of the ISA/
European Patent Office, P.B. 5818 Patentlaan 2
NL - 2280 HV Rijswijk
Tel. (+31-70) 340-2040,
Fax: (+31-70) 340-3016

Authorized officer
Mysliwetz, Wolfgang

INTERNATIONAL SEARCH REPORT

Information on patent family members

International application No

PCT/GB2013/051673

Patent document cited in search report	Publication date	Patent family member(s)	Publication date
FR 1287951	A	16-03-1962	NONE
DE 2035087	A1	20-01-1972	NONE
DE 3149054	A1	23-06-1983	NONE