

(19) World Intellectual Property Organization
International Bureau



(43) International Publication Date
31 December 2008 (31.12.2008)

PCT

(10) International Publication Number
WO 2009/001101 A3

(51) International Patent Classification:

B01L 3/00 (2006.01) **G01N 21/03** (2006.01)
G01N 33/28 (2006.01) **G01N 30/60** (2006.01)
G01N 21/01 (2006.01)

(DE). **ZIOGAS, Athanassios** [DE/DE]; Am Grossen Sand 2d, 55124 Mainz (DE).

(21) International Application Number:

PCT/GB2008/002219

(74) Agent: **OLDROYD, Richard, Duncan**; BP INTERNATIONAL LIMITED, Global Patents and Technology Law (Central), Chertsey Road, Sunbury-on-Thames, Middlesex TW16 7LN (GB).

(22) International Filing Date: 26 June 2008 (26.06.2008)

(25) Filing Language: English

(26) Publication Language: English

(30) Priority Data:
07252628.8 28 June 2007 (28.06.2007) EP

(71) Applicant (for all designated States except US): **BP OIL INTERNATIONAL LIMITED** [GB/GB]; Chertsey Road, Sunbury-on-Thames, Middlesex TW16 7BP (GB).

(72) Inventors; and

(75) Inventors/Applicants (for US only): **DRESE, Klaus-Stefan** [DE/DE]; Am Damsberg 82, 55130 Mainz (DE). **HESSEL, Volker** [DE/DE]; Mittelweg 3A, 56739 Horhausen (DE). **HOFMANN, Christian** [DE/DE]; Forsterstrasse 33, 55118 Mainz (DE). **ILLG, Tobias** [DE/DE]; Erbacher Strasse 8, 65197 Wiesbaden (DE). **MENGES, Maria, Gabriele** [DE/DE]; Heinrich-Schwefler-Strasse 3, 69214 Eppelheim (DE). **TIEMANN, David** [DE/DE]; Donnersbergstrasse 14, 55239 Gau-Odernheim

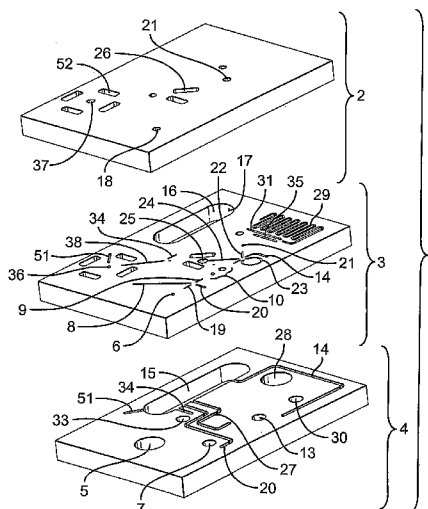
(81) Designated States (unless otherwise indicated, for every kind of national protection available): AE, AG, AL, AM, AO, AT, AU, AZ, BA, BB, BG, BH, BR, BW, BY, BZ, CA, CH, CN, CO, CR, CU, CZ, DE, DK, DM, DO, DZ, EC, EE, EG, ES, FI, GB, GD, GE, GH, GM, GT, HN, HR, HU, ID, IL, IN, IS, JP, KE, KG, KM, KN, KP, KR, KZ, LA, LC, LK, LR, LS, LT, LU, LY, MA, MD, ME, MG, MK, MN, MW, MX, MY, MZ, NA, NG, NI, NO, NZ, OM, PG, PH, PL, PT, RO, RS, RU, SC, SD, SE, SG, SK, SL, SM, SV, SY, TJ, TM, TN, TR, TT, TZ, UA, UG, US, UZ, VC, VN, ZA, ZM, ZW.

(84) Designated States (unless otherwise indicated, for every kind of regional protection available): ARIPO (BW, GH, GM, KE, LS, MW, MZ, NA, SD, SL, SZ, TZ, UG, ZM, ZW), Eurasian (AM, AZ, BY, KG, KZ, MD, RU, TJ, TM), European (AT, BE, BG, CH, CY, CZ, DE, DK, EE, ES, FI, FR, GB, GR, HR, HU, IE, IS, IT, LT, LU, LV, MC, MT, NL, NO, PL, PT, RO, SE, SI, SK, TR), OAPI (BF, BJ, CF, CG, CI, CM, GA, GN, GQ, GW, ML, MR, NE, SN, TD, TG).

[Continued on next page]

(54) Title: SAMPLE PLATE

Fig.3



(57) Abstract: A sample plate, portable analysis apparatus and method of analysing sulphur and/or nitrogen compounds in a sample fluid, the method comprising feeding a sample fluid to a sample plate having a sample inlet, a reaction zone, an analysis zone, and at least one separation zone, the sample plate being adapted to allow; (a) a sample fluid to be fed to the sample plate through the inlet to the reaction zone or optionally to a separation zone, which separation zone separates the sample fluid into two or more fractions at least one of which is fed to the reaction zone; (b) a reactant to be fed to the reaction zone; (c) the reaction zone to be maintained under conditions that enable reaction to occur between the reactant and the sample fluid or fraction thereof to produce a product fluid; and (d) transfer of the product fluid to the analysis zone or optionally to a separation zone in which the product fluid is separated into two or more fractions, at least one of which is transferred to the analysis zone.

WO 2009/001101 A3



Declarations under Rule 4.17:

- *as to applicant's entitlement to apply for and be granted a patent (Rule 4.17(ii))*
- *of inventorship (Rule 4.17(iv))*

- *before the expiration of the time limit for amending the claims and to be republished in the event of receipt of amendments*

Published:

- *with international search report*

(88) Date of publication of the international search report:

30 July 2009

INTERNATIONAL SEARCH REPORT

International application No

PCT/GB2008/002219

A. CLASSIFICATION OF SUBJECT MATTER

INV. B01L3/00 G01N33/28
 ADD. G01N21/01 G01N21/03 G01N30/60

According to International Patent Classification (IPC) or to both national classification and IPC

B. FIELDS SEARCHED

Minimum documentation searched (classification system followed by classification symbols)
 B01L G01N

Documentation searched other than minimum documentation to the extent that such documents are included in the fields searched

Electronic data base consulted during the international search (name of data base and, where practical, search terms used)

EPO-Internal, WPI Data

C. DOCUMENTS CONSIDERED TO BE RELEVANT

Category*	Citation of document, with indication, where appropriate, of the relevant passages	Relevant to claim No.
X	EP 0 708 331 A (HEWLETT PACKARD CO [US] AGILENT TECHNOLOGIES INC [US]) 24 April 1996 (1996-04-24) abstract page 16, line 39 - page 19, line 2 figure 15	1,23
X	WO 2006/119167 A (SIONEX CORP [US]; MILLER RAANAN A [US]; NAZAROV ERKINJON G [US]; WHEEL) 9 November 2006 (2006-11-09) abstract page 4, line 29 - page 5, line 30 page 20, line 28 - page 21, line 14 page 40, line 3 - page 42, line 9 page 66, line 3 - line 16 page 68, line 21 - line 25 page 71, line 33 - page 75, line 6	1,23
Y	figures 2C,12E,16,35 ----- -/--	26

 Further documents are listed in the continuation of Box C. See patent family annex.

* Special categories of cited documents:

- "A" document defining the general state of the art which is not considered to be of particular relevance
 "E" earlier document but published on or after the international filing date
 "L" document which may throw doubts on priority claim(s) or which is cited to establish the publication date of another citation or other special reason (as specified)
 "O" document referring to an oral disclosure, use, exhibition or other means
 "P" document published prior to the international filing date but later than the priority date claimed

- "T" later document published after the international filing date or priority date and not in conflict with the application but cited to understand the principle or theory underlying the invention
 "X" document of particular relevance; the claimed invention cannot be considered novel or cannot be considered to involve an inventive step when the document is taken alone
 "Y" document of particular relevance; the claimed invention cannot be considered to involve an inventive step when the document is combined with one or more other such documents, such combination being obvious to a person skilled in the art.
 "&" document member of the same patent family

Date of the actual completion of the international search

16 June 2009

Date of mailing of the international search report

23/06/2009

Name and mailing address of the ISA/

European Patent Office, P.B. 5818 Patentlaan 2
 NL - 2280 HV Rijswijk
 Tel. (+31-70) 340-2040,
 Fax: (+31-70) 340-3016

Authorized officer

Bravin, Michel

INTERNATIONAL SEARCH REPORT

International application No

PCT/GB2008/002219

C(Continuation). DOCUMENTS CONSIDERED TO BE RELEVANT

Category*	Citation of document, with indication, where appropriate, of the relevant passages	Relevant to claim No.
Y	WO 2006/034069 A (BP OIL INT [GB]; GUDDE NICHOLAS JOHN [GB]; HODGES MICHAEL [GB]; BUTLER) 30 March 2006 (2006-03-30) abstract page 2, line 8 - line 36 page 4, line 12 - line 22 page 7, line 13 - line 32	26
X,P	EP 1 813 348 A (BP OIL INT [GB]) 1 August 2007 (2007-08-01) abstract paragraph [0010] - paragraph [0013] paragraph [0016] paragraph [0039] paragraph [0053] - paragraph [0054]	26
A	WO 2007/033253 A (SYMYX TECHNOLOGIES INC [US]; CHAN YENNY [US]; HAJDUK DAMIAN [US]; HODG) 22 March 2007 (2007-03-22) abstract paragraph [0002] paragraph [0028] - paragraph [0030]	26

INTERNATIONAL SEARCH REPORT

Information on patent family members

International application No

PCT/GB2008/002219

Patent document cited in search report		Publication date		Patent family member(s)	Publication date
EP 0708331	A	24-04-1996	DE	69532741 D1	29-04-2004
			DE	69532741 T2	20-01-2005
			US	RE36350 E	26-10-1999
<hr/>					
WO 2006119167	A	09-11-2006	EP	1920243 A1	14-05-2008
<hr/>					
WO 2006034069	A	30-03-2006	AU	2005287017 A1	30-03-2006
			AU	2005287020 A1	30-03-2006
			BR	PI0515391 A	22-07-2008
			BR	PI0515407 A	22-07-2008
			CA	2580088 A1	30-03-2006
			CA	2581954 A1	30-03-2006
			EP	1794584 A1	13-06-2007
			EP	1797423 A1	20-06-2007
			JP	2008513784 T	01-05-2008
			JP	2008513785 T	01-05-2008
			KR	20070059149 A	11-06-2007
			KR	20070059153 A	11-06-2007
			US	2008253426 A1	16-10-2008
US	2008260584 A1	23-10-2008			
WO	2006034072 A1	30-03-2006			
<hr/>					
EP 1813348	A	01-08-2007	CN	101415497 A	22-04-2009
			EP	1979095 A1	15-10-2008
			WO	2007085797 A1	02-08-2007
			US	2009011517 A1	08-01-2009
<hr/>					
WO 2007033253	A	22-03-2007	NONE		