

(19) World Intellectual Property Organization
International Bureau



(43) International Publication Date
30 April 2009 (30.04.2009)

PCT

(10) International Publication Number
WO 2009/055103 A3

- (51) International Patent Classification:
G06F 13/42 (2006.01)
- (21) International Application Number:
PCT/US2008/069250
- (22) International Filing Date: 3 July 2008 (03.07.2008)
- (25) Filing Language: English
- (26) Publication Language: English
- (30) Priority Data:
60/981,777 22 October 2007 (22.10.2007) US
- (71) Applicant (for all designated States except US): RAMBUS, INC. [US/US]; 4440 El Camino Real, Los Altos, CA 94022 (US).
- (72) Inventors; and
- (75) Inventors/Applicants (for US only): ZERBE, Jared, L. [US/US]; 431 Hillside Drive, Woodside, CA 94062 (US). WARE, Frederick [US/US]; 13961 Fremont Pines Lane, Los Altos Hills, CA 94022 (US).
- (74) Agent: SHEMWELL, Charles; Suite 201, 4880 Stevens Creek Blvd., San Jose, CA 95129 (US).
- (81) Designated States (unless otherwise indicated, for every kind of national protection available): AE, AG, AL, AM, AO, AT, AU, AZ, BA, BB, BG, BH, BR, BW, BY, BZ, CA,

CH, CN, CO, CR, CU, CZ, DE, DK, DM, DO, DZ, EC, EE, EG, ES, FI, GB, GD, GE, GH, GM, GT, HN, HR, HU, ID, IL, IN, IS, JP, KE, KG, KM, KN, KP, KR, KZ, LA, LC, LK, LR, LS, LT, LU, LY, MA, MD, ME, MG, MK, MN, MW, MX, MY, MZ, NA, NG, NI, NO, NZ, OM, PG, PH, PL, PT, RO, RS, RU, SC, SD, SE, SG, SK, SL, SM, ST, SV, SY, TJ, TM, TN, TR, TT, TZ, UA, UG, US, UZ, VC, VN, ZA, ZM, ZW.

(84) Designated States (unless otherwise indicated, for every kind of regional protection available): ARIPO (BW, GH, GM, KE, LS, MW, MZ, NA, SD, SL, SZ, TZ, UG, ZM, ZW), Eurasian (AM, AZ, BY, KG, KZ, MD, RU, TJ, TM), European (AT, BE, BG, CH, CY, CZ, DE, DK, EE, ES, FI, FR, GB, GR, HR, HU, IE, IS, IT, LT, LU, LV, MC, MT, NL, NO, PL, PT, RO, SE, SI, SK, TR), OAPI (BF, BJ, CF, CG, CI, CM, GA, GN, GQ, GW, ML, MR, NE, SN, TD, TG).

Declaration under Rule 4.17:

— of inventorship (Rule 4.17(iv))

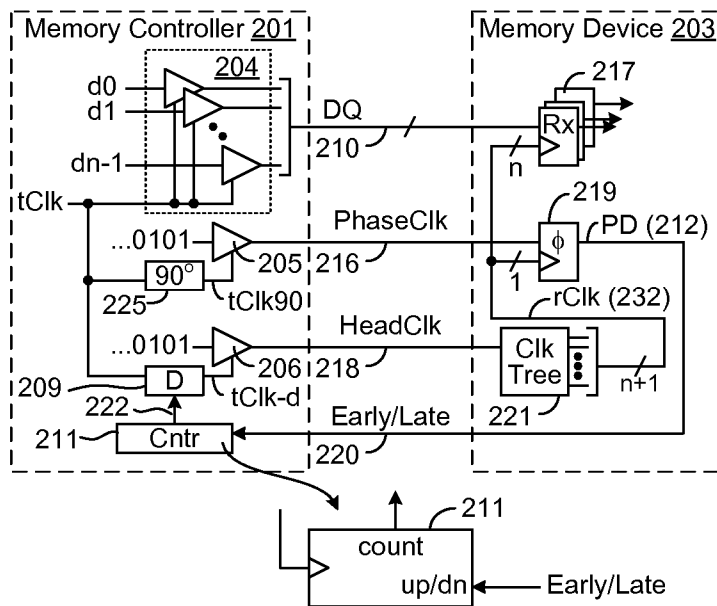
Published:

- with international search report
- before the expiration of the time limit for amending the claims and to be republished in the event of receipt of amendments

[Continued on next page]

(54) Title: LOW-POWER SOURCE-SYNCHRONOUS SIGNALING

FIG. 2A



(57) Abstract: Within a system of integrated circuit devices, first and second signals are transmitted intermittently from a first integrated circuit device to a second integrated circuit device. The second integrated circuit device generates a timing signal based on transitions of the second signal and generates samples of the first signal in response to transitions of the timing signal. The second integrated circuit device further generates timing error information based on the samples of the first signal, the timing error information to enable adjustment of the relative phases of the timing signal and the first signal.

WO 2009/055103 A3



(88) Date of publication of the international search report:
11 June 2009

INTERNATIONAL SEARCH REPORT

International application No
PCT/US2008/069250

A. CLASSIFICATION OF SUBJECT MATTER
INV. G06F13/42

According to International Patent Classification (IPC) or to both national classification and IPC

B. FIELDS SEARCHED

Minimum documentation searched (classification system followed by classification symbols)
G06F

Documentation searched other than minimum documentation to the extent that such documents are included in the fields searched

Electronic data base consulted during the international search (name of data base and, where practical, search terms used)
EPO-Internal, WPI Data

C. DOCUMENTS CONSIDERED TO BE RELEVANT		
Category*	Citation of document, with indication, where appropriate, of the relevant passages	Relevant to claim No.
X	WO 2007/106766 A (RAMBUS INC [US]; STOTT BRET G [US]; HAMPEL CRAIG E [US]; WARE FREDERIC) 20 September 2007 (2007-09-20) abstract; figures 1b,10,12-17B,20,21 paragraphs [0033] - [0037], [0044], [0045], [0052] - [0063], [0075]	1-26
X	US 5 737 589 A (DOI TOSHIO [JP] ET AL) 7 April 1998 (1998-04-07) abstract; figures 1,6,7,9 column 2, line 45 - column 3, line 3 column 4, line 62 - column 5, line 19	1-6
X	WO 99/17183 A (S3 INC [US]) 8 April 1999 (1999-04-08) abstract; figures 3,4,7 page 7, line 19 - page 9, line 25	1-6
	----- -/--	

Further documents are listed in the continuation of Box C.

See patent family annex.

* Special categories of cited documents :

- *A* document defining the general state of the art which is not considered to be of particular relevance
- *E* earlier document but published on or after the international filing date
- *L* document which may throw doubts on priority claim(s) or which is cited to establish the publication date of another citation or other special reason (as specified)
- *O* document referring to an oral disclosure, use, exhibition or other means
- *P* document published prior to the international filing date but later than the priority date claimed

- *T* later document published after the international filing date or priority date and not in conflict with the application but cited to understand the principle or theory underlying the invention
- *X* document of particular relevance; the claimed invention cannot be considered novel or cannot be considered to involve an inventive step when the document is taken alone
- *Y* document of particular relevance; the claimed invention cannot be considered to involve an inventive step when the document is combined with one or more other such documents, such combination being obvious to a person skilled in the art.
- *&* document member of the same patent family

Date of the actual completion of the international search 14 April 2009	Date of mailing of the international search report 21/04/2009
---	---

Name and mailing address of the ISA/ European Patent Office, P.B. 5818 Patentlaan 2 NL - 2280 HV Rijswijk Tel. (+31-70) 340-2040, Fax: (+31-70) 340-3016	Authorized officer París Martín, Laura
--	--

INTERNATIONAL SEARCH REPORT

International application No

PCT/US2008/069250

C(Continuation). DOCUMENTS CONSIDERED TO BE RELEVANT

Category*	Citation of document, with indication, where appropriate, of the relevant passages	Relevant to claim No.
X A	US 7 016 259 B2 (JAKOBS ANDREAS [DE]) 21 March 2006 (2006-03-21) abstract; figure 1 column 2, line 38 - column 3, line 28 column 3, line 52 - column 8, line 16 -----	19-22, 26 7-18

INTERNATIONAL SEARCH REPORT

Information on patent family members

International application No PCT/US2008/069250

Patent document cited in search report	Publication date	Patent family member(s)	Publication date
WO 2007106766 A	20-09-2007	US 2007217559 A1	20-09-2007
US 5737589 A	07-04-1998	JP 3489147 B2 JP 7084946 A	19-01-2004 31-03-1995
WO 9917183 A	08-04-1999	AU 9590098 A US 5948083 A	23-04-1999 07-09-1999
US 7016259 B2	21-03-2006	DE 10344818 A1 US 2005094462 A1	28-04-2005 05-05-2005