

(19) World Intellectual Property Organization  
International Bureau



(43) International Publication Date  
23 November 2006 (23.11.2006)

PCT

(10) International Publication Number  
**WO 2006/124263 A3**

(51) International Patent Classification:  
A61C 7/14 (2006.01)

(21) International Application Number:  
PCT/US2006/016698

(22) International Filing Date: 2 May 2006 (02.05.2006)

(25) Filing Language: English

(26) Publication Language: English

(30) Priority Data:  
11/128,445 13 May 2005 (13.05.2005) US

(71) Applicant (for all designated States except US): **3M INNOVATIVE PROPERTIES COMPANY** [US/US]; 3M Center, Post Office Box 33427, Saint Paul, MN 55133-3427 (US).

(72) Inventors: **CINADER, David, K., Jr.**; 3M Center, Post Office Box 33427, Saint Paul, MN 55133-3427 (US).  
**CLEARY, James, D.**; 3M Center, Post Office Box 33427, Saint Paul, MN 55133-3427 (US).

(74) Agents: **CHRISTOFF, James, D.** et al.; 3M Center, Office Of Intellectual Property Counsel, Post Office Box 33427, Saint Paul, MN 55133-3427 (US).

(81) Designated States (unless otherwise indicated, for every kind of national protection available): AE, AG, AL, AM, AT, AU, AZ, BA, BB, BG, BR, BW, BY, BZ, CA, CH, CN, CO, CR, CU, CZ, DE, DK, DM, DZ, EC, EE, EG, ES, FI, GB, GD, GE, GH, GM, HR, HU, ID, IL, IN, IS, JP, KE, KG, KM, KN, KP, KR, KZ, LC, LK, LR, LS, LT, LU, LV, LY, MA, MD, MG, MK, MN, MW, MX, MZ, NA, NG, NI, NO, NZ, OM, PG, PH, PL, PT, RO, RU, SC, SD, SE, SG, SK, SL, SM, SY, TJ, TM, TN, TR, TT, TZ, UA, UG, US, UZ, VC, VN, YU, ZA, ZM, ZW.

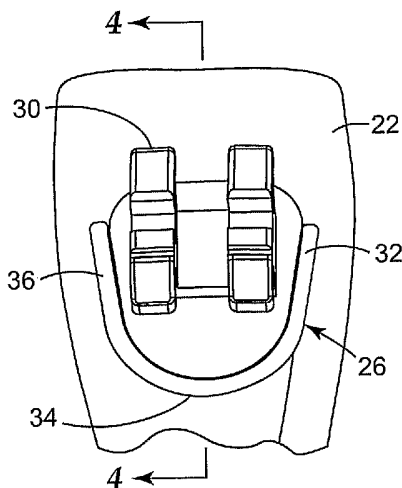
(84) Designated States (unless otherwise indicated, for every kind of regional protection available): ARIPO (BW, GH, GM, KE, LS, MW, MZ, NA, SD, SL, SZ, TZ, UG, ZM, ZW), Eurasian (AM, AZ, BY, KG, KZ, MD, RU, TJ, TM), European (AT, BE, BG, CH, CY, CZ, DE, DK, EE, ES, FI, FR, GB, GR, HU, IE, IS, IT, LT, LU, LV, MC, NL, PL, PT, RO, SE, SI, SK, TR), OAPI (BF, BJ, CF, CG, CI, CM, GA, GN, GQ, GW, ML, MR, NE, SN, TD, TG).

Published:  
— with international search report

(88) Date of publication of the international search report:  
18 January 2007

For two-letter codes and other abbreviations, refer to the "Guidance Notes on Codes and Abbreviations" appearing at the beginning of each regular issue of the PCT Gazette.

(54) Title: METHOD OF MAKING AN INDIRECT BONDING TRAY FOR ORTHODONTIC TREATMENT



(57) Abstract: An indirect bonding tray for use in applying and bonding orthodontic appliances to a patient's teeth is made by providing a replica of the patient's dentition including replicas of the patient's teeth. A guide is provided on each replica tooth in a location corresponding to the ultimate intended location of the orthodontic appliance on the patient's teeth. Each guide has a receptacle for receiving an orthodontic appliance, and serves to ensure that the respective orthodontic appliance is placed in its proper, intended position on the replica tooth. A tray is then formed over the replica teeth and the appliances for subsequent use in bonding the appliances to the patient's teeth.

WO 2006/124263 A3

# INTERNATIONAL SEARCH REPORT

International application No PCT/US2006/016698
---

<b>A. CLASSIFICATION OF SUBJECT MATTER</b> INV. A61C7/14		
According to International Patent Classification (IPC) or to both national classification and IPC		
<b>B. FIELDS SEARCHED</b>		
Minimum documentation searched (classification system followed by classification symbols) A61C		
Documentation searched other than minimum documentation to the extent that such documents are included in the fields searched		
Electronic data base consulted during the international search (name of data base and, where practical, search terms used) EPO-Internal		
<b>C. DOCUMENTS CONSIDERED TO BE RELEVANT</b>		
Category*	Citation of document, with indication, where appropriate, of the relevant passages	Relevant to claim No.
X	US 2004/219471 A1 (CLEARY JAMES D [US] ET AL) 4 November 2004 (2004-11-04) the whole document	1,6-8, 10,14-16
X	US 4 657 508 A (DELLINGER EUGENE L [US]) 14 April 1987 (1987-04-14) the whole document	1,6-8, 10,14-16
X	US 2004/229185 A1 (KNOPP PETER G [US]) 18 November 2004 (2004-11-18) the whole document	1,6-8, 10-18, 21-23
X,P	US 2005/244790 A1 (KUPERMAN LESTER [US]) 3 November 2005 (2005-11-03) the whole document	1,6-10, 12-14, 16-18, 21-23
<input type="checkbox"/> Further documents are listed in the continuation of Box C.		
<input checked="" type="checkbox"/> See patent family annex.		
* Special categories of cited documents :		
*A* document defining the general state of the art which is not considered to be of particular relevance *E* earlier document but published on or after the international filing date *L* document which may throw doubts on priority claim(s) or which is cited to establish the publication date of another citation or other special reason (as specified) *O* document referring to an oral disclosure, use, exhibition or other means *P* document published prior to the international filing date but later than the priority date claimed	*T* later document published after the international filing date or priority date and not in conflict with the application but cited to understand the principle or theory underlying the invention *X* document of particular relevance; the claimed invention cannot be considered novel or cannot be considered to involve an inventive step when the document is taken alone *Y* document of particular relevance; the claimed invention cannot be considered to involve an inventive step when the document is combined with one or more other such documents, such combination being obvious to a person skilled in the art. *&* document member of the same patent family	
Date of the actual completion of the international search  <p style="text-align: center;">19 October 2006</p>	Date of mailing of the International search report  <p style="text-align: center;">26/10/2006</p>	
Name and mailing address of the ISA/ European Patent Office, P.B. 5818 Patentlaan 2 NL - 2280 HV Rijswijk Tel. (+31-70) 340-2040, Tx. 31 651 epo nl, Fax: (+31-70) 340-3016	Authorized officer  <p style="text-align: center;">Salvatore, Claudio</p>	

# INTERNATIONAL SEARCH REPORT

Information on patent family members

International application No PCT/US2006/016698
---

Patent document cited in search report	Publication date	Patent family member(s)	Publication date
US 2004219471	A1	04-11-2004	EP 1620032 A2
			US 2006160043 A1
			US 2006166160 A1
			US 2006177791 A1
			WO 2004098440 A2
US 4657508	A	14-04-1987	NONE
US 2004229185	A1	18-11-2004	US 2006084030 A1
			US 2004166462 A1
			US 2004253562 A1
			US 2005042569 A1
US 2005244790	A1	03-11-2005	NONE