



(51) International Patent Classification:

A47J 41/00 (2006.01) C22C 9/00 (2006.01)

(21) International Application Number:

PCT/IB2020/050322

(22) International Filing Date:

16 January 2020 (16.01.2020)

(25) Filing Language:

English

(26) Publication Language:

English

(30) Priority Data:

201921001871 16 January 2019 (16.01.2019) IN

(72) Inventor; and

(71) Applicant: **TATOBA JAGTAP, Jalindar** [IN/IN]; A/  
Post Gomewadi, Tal - Atapadi, Maharashtra, Sangali  
415306 (IN).

(74) Agent: **NAIR IP LLP**; Mr. Vineed Nair, 104, Vasant Vihar,  
Dadasaheb Phalke Road, Dadar East, Maharashtra, Mumbai  
400014 (IN).

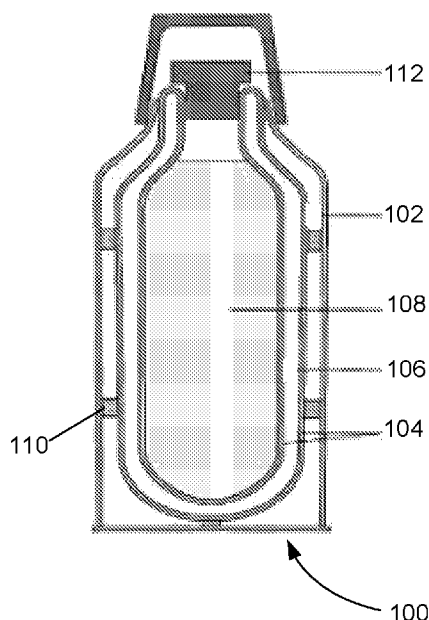
(81) Designated States (unless otherwise indicated, for every  
kind of national protection available): AE, AG, AL, AM,

AO, AT, AU, AZ, BA, BB, BG, BH, BN, BR, BW, BY, BZ,  
CA, CH, CL, CN, CO, CR, CU, CZ, DE, DJ, DK, DM, DO,  
DZ, EC, EE, EG, ES, FI, GB, GD, GE, GH, GM, GT, HN,  
HR, HU, ID, IL, IN, IR, IS, JO, JP, KE, KG, KH, KN, KP,  
KR, KW, KZ, LA, LC, LK, LR, LS, LU, LY, MA, MD, ME,  
MG, MK, MN, MW, MX, MY, MZ, NA, NG, NI, NO, NZ,  
OM, PA, PE, PG, PH, PL, PT, QA, RO, RS, RU, RW, SA,  
SC, SD, SE, SG, SK, SL, ST, SV, SY, TH, TJ, TM, TN, TR,  
TT, TZ, UA, UG, US, UZ, VC, VN, WS, ZA, ZM, ZW.

(84) Designated States (unless otherwise indicated, for every  
kind of regional protection available): ARIPO (BW, GH,  
GM, KE, LR, LS, MW, MZ, NA, RW, SD, SL, ST, SZ, TZ,  
UG, ZM, ZW), Eurasian (AM, AZ, BY, KG, KZ, RU, TJ,  
TM), European (AL, AT, BE, BG, CH, CY, CZ, DE, DK,  
EE, ES, FI, FR, GB, GR, HR, HU, IE, IS, IT, LT, LU, LV,  
MC, MK, MT, NL, NO, PL, PT, RO, RS, SE, SI, SK, SM,  
TR), OAPI (BF, BJ, CF, CG, CI, CM, GA, GN, GQ, GW,  
KM, ML, MR, NE, SN, TD, TG).

(54) Title: METAL COMPOSITE CONTAINER FOR STORING LIQUID

FIG. 1



(57) Abstract: A metal composite container 100 for storing liquid is provided herein. The container includes an outer casing 102 made from either plastic or metal or in combination to define shape of a bottle, a flask 104 placed inside the outer casing, which is separated by a vacuum 106, wherein the flask is composed of metals such as 0.5-1% by weight of gold, 0.5-1.5% by weight of silver, 2% by weight of bronze, 2% by weight of brass, 90-91.5% by weight of copper, 1% by weight of tin, 1% by weight of zinc and 1% by weight of iron for storing liquid 108, an insulated support 110 for holding the inner casing in position within the outer casing, and a metal or plastic cap to open and close the flask.



**Declarations under Rule 4.17:**

- *as to the identity of the inventor (Rule 4.17(i))*
- *as to applicant's entitlement to apply for and be granted a patent (Rule 4.17(ii))*
- *as to the applicant's entitlement to claim the priority of the earlier application (Rule 4.17(iii))*
- *of inventorship (Rule 4.17(iv))*

**Published:**

- *with international search report (Art. 21(3))*
- *before the expiration of the time limit for amending the claims and to be republished in the event of receipt of amendments (Rule 48.2(h))*

## METAL COMPOSITE CONTAINER FOR STORING LIQUID

### Technical field

The present embodiment is related to a liquid storing container more particularly to a  
5 metal composite container for storing hot or cold liquid.

### BACKGROUND

#### *Description of the Related Art*

Many of us have heard from our grandparents that drinking water stored in a copper  
10 vessel is beneficial for our health. According to Ayurveda, water stored in a copper  
vessel has the ability to balance all the three doshas in your body, (vata, kapha and  
pitta) and it does so by positively charging the water. Storing water in a copper vessel  
works as a purification process. It can kill all the microorganisms like molds, fungi,  
algae and bacteria, present in the water that could be harmful for the body. It also  
15 helps maintain body's PH (acid-alkaline) balance. There are also numerous health  
benefits that have been attributed to drinking water stored in copper bottles.

Copper vessels had been a daily habit in most Asian countries until the 20th century,  
especially in India. Although a large number of people have remained loyal to this  
20 habit, many have switched to other metals. Once again, the times are changing and a  
plethora of scientific evidence confirming the benefits of using copper vessels to store  
and drink water are resurfacing.

Numerous studies have yielded positive results for the effects of copper on a person  
25 health. The U.S Environmental Protection Agency (EPA) has even registered copper as  
the only solid material that kills bacteria and protects us from vulnerable health risks.  
These scientific facts, and the Indian Ayurveda tradition of drinking water stored in a  
copper vessel, such a copper Lota has brought many back to embracing the practice  
and reestablishing this daily routine. However, simply knowing the benefits of  
30 drinking water from a copper vessel such as a Copper Water Bottle isn't enough. It is

necessary to learn the proper method of consuming water from a copper vessel so that you can reap its maximum benefits.

Now many other metals also offer health benefits to human being when the water is stored in it. There is no bottle available which is made from combination of multiple metals or number of metals combined together. Therefore, accordingly there is a need  
5 of a bottle which is a combination of many metals when mixed together in specific quantities may result into a single metal structure which when used to store drinking water may give health benefits of all the metals which is used in the structure.

10

### SUMMARY

A metal composite container for storing liquid is provided herein. The container includes an outer casing made from either plastic or metal or in combination to define shape of a bottle, a flask placed inside the outer casing, which is separated by a vacuum, wherein the flask is composed of metals such as 0.5-1% by weight of gold,  
15 0.5-1.5% by weight of silver, 2% by weight of bronze, 2% by weight of brass, 90-91.5% by weight of copper, 1% by weight of tin, 1% by weight of zinc and 1% by weight of iron for storing liquid, an insulated support for holding the inner casing in position within the outer casing and a metal or plastic cap to open and close the flask.

20

In one embodiment, the metal composition of the flask may be made into any shapes like bottle, rod, disc, plate, coin, etc. or like. In another embodiment, the flask may be a water pouring jug with or without any outer case.

25 In an example embodiment, the metal composition of the flask having the rod or disc shape may be immersed in a normal bottle, any other normal flask, jug, etc. or like. The vacuum between the flask and the outer case insulates the liquid inside the flask from ambient temperature.

30 In an embodiment, the flask keeps hot liquid warm up to 24 hours and cold liquid cooler up to 18 hours. The metal composite may of any desired ratio.

These and other aspects of the embodiments herein will be better appreciated and understood when considered in conjunction with the following description and the accompanying drawings. It should be understood, however, that the following  
5 descriptions, while indicating preferred embodiments and numerous specific details thereof, are given by way of illustration and not of limitation. Many changes and modifications may be made within the scope of the embodiments herein without departing from the spirit thereof, and the embodiments herein include all such  
10 modifications.

#### BRIEF DESCRIPTION OF THE DRAWINGS

Reference will be made to embodiments of the invention, examples of which may be illustrated in the accompanying figures. These figures are intended to be illustrative,  
15 not limiting. Although the invention is generally described in the context of these embodiments, it should be understood that it is not intended to limit the scope of the invention to these particular embodiments:

The embodiments herein will be better understood from the following detailed  
20 description with reference to the drawings, in which:

FIG. 1 illustrates a front schematic view of a metal composite container for holding  
40 liquid according to an embodiment mentioned herein.

Persons skilled in the art will appreciate that elements in the figures are illustrated for  
simplicity and clarity and may not have been drawn to scale. For example, the  
dimensions of some of the elements in the figure may be exaggerated relative to other  
elements to help to improve understanding of various exemplary embodiments of the  
45 present disclosure.

Throughout the drawings, it should be noted that like reference numbers are used to

depict the same or similar elements, features, and structures.

#### DETAILED DESCRIPTION OF PREFERRED EMBODIMENTS

5

Although specific terms are used in the following description for the sake of clarity,  
15 these terms are intended to refer only to the particular structure of the invention  
selected for illustration in the drawings, and are not intended to define or limit the  
scope of the invention.

Accordingly, there is a need of a bottle which is a combination of many metals when  
20 mixed together in specific quantities may result into a single metal structure which  
when used to store drinking water may give health benefits of all the metals which is  
used in the structure.

The present embodiments herein provides a liquid storing container more particularly  
25 to a metal composite container for storing hot or cold liquid. Referring now to the  
figures, more particularly to FIG. 1, where similar reference characters denote  
corresponding features consistently throughout the figures, preferred embodiments are  
shown.

30 FIG. 1 illustrates a front schematic view of a metal composite container for holding  
liquid according to an embodiment mentioned herein. The container includes an outer  
casing 102 made from either plastic or metal or in combination to define shape of a  
bottle, a flask 104 placed inside the outer casing 102, which is separated by a vacuum  
106, wherein the flask is composed of metals such as 0.5-1% by weight of gold, 0.5-  
35 1.5% by weight of silver, 2% by weight of bronze, 2% by weight of brass, 90-91.5%  
by weight of copper, 1% by weight of tin, 1% by weight of zinc and 1% by weight of  
iron for storing liquid 108, an insulated support 110 for holding the inner casing in  
position within the outer casing and a metal or plastic cap to open and close the flask.

In one embodiment, the metal composition of the flask 104 may be made into any shapes like bottle, rod, disc, plate, coin, etc. or like. In another embodiment, the flask may be a water pouring jug with or without any outer case.

- 5 In an example embodiment, the metal composition of the flask 104 having the rod or disc shape may be immersed in a normal bottle, any other normal flask, jug, etc. or like. The vacuum 106 between the flask and the outer case insulates the liquid inside the flask from ambient temperature.
- 10 In an embodiment, the flask keeps hot liquid warm up to 24 hours and cold liquid cooler up to 18 hours. The metal composite may of any desired ratio.

### **Gold**

- 15 This highly reactive metal has unique healing properties. It is capable of attracting heat to the body, which is important when the body produces insufficient amount of energy. It is preferable to have old gold items of round shape. For example, family gold jewelry passed on from generation to generation have an ability to accumulate energy potential. Therefore, it is highly undesirable to part with them. In ancient times,
- 20 gold was considered a powerful remedy to strengthen spirit and prolong life. A belief preserved from those times says that gold jewelry turn the evil eye away, strengthen the energy of the solar plexus. It is also believed that wearing a gold ring on a finger of the right hand extends life for a few years.
- 25 Modern scientists proved that this metal has a positive effect on the mood, invigorates and inspires confidence in the future. In addition, its sunny and bright glow shows a beneficial effect during seasonal depression. People who suffer from arrhythmia, can wear a gold medallion or a cross. Noteworthy, if gold jewelry gets dark or discolors over time, it means that there is a large percentage of metal-additives in this item. One
- 30 should replace such an item without additives, since metals affect the body in different ways.

Gold has anti-inflammatory and anti-aging properties, so it is used in the production of a new generation of cosmetics. The precious metal is also used for age correction surgeries.

5

### **Silver**

Women love to decorate themselves with various trinkets of silver, but not everyone knows that this metal is excellent doctor. For example, decorations on the neck calm the nerves. And if you wear silver on the ring finger of right or left hand - it removes excessive energy in blood circulation and reduces blood pressure. A ring on the index finger of both right and left hand normalizes the work of gastrointestinal tract. For heart invigoration, it is recommended to constantly wear a silver ring on the little finger of the left hand. Silver is also a great diagnostician. Silver things blacken, if a person has a problem in the endocrine system. And it may also happen that a silver item may become brighter than it was. This may indicate a serious kidney disorder, since sweat releases substances containing nitrogen, which comes into reaction with silver decorations and makes them shine. Medical drugs containing silver, unlike antibiotics, have a broader antibacterial spectrum. More importantly, they do not suppress the immune system.

People have long known that an alloy of gold and silver is a powerful health improver. Silver and gold-plated cutlery and crockery can disinfect food and water from harmful substances. Our ancestors knew that and used silver spoons to feed children. Coins of silver, when placed in water tanks, kill bacteria.

People's honor and respect to these metals can be seen even in etiquette. Dishes served on gold or silver plates have always been considered an expression of hospitality.

30 **Iron**

If you cut an apple with a steel knife, the cut will quickly darken due to the production of glandular salt of malic acid. The consumption of this substance contributes to the normalization of blood composition, especially after infectious diseases. It is recommended to eat grated apples twice a day, which is conducive to the work of the spleen and the liver. It also strengthens muscles and prevents anemia.

It is not recommended to wear things made of iron all the time. It can also be harmful to stay in a room for a long time, if there are many things made of iron in that room. A long stay in such a room will quickly lead to fatigue. In addition, it is bad to sleep with your head to a heater (a radiator), it leads to the destruction of the human biofield. Afterwards, a person may suffer from tiredness, irritability and headaches.

During an unpleasant conversation it is good to hold a iron object in your hand and mentally transmit negative emotions to this object.

15

### **Steel**

This alloy of iron and carbon has the ability to "clean" the spine. To do this, one should run a steel knife upward along the whole spine (from the coccyx to the crown of the head) at a distance of 10-15 cm from the body. The exercise can be done with someone else's help several times a day.

20

### **Copper**

Applying copper coins to the body can cure many diseases. This method is the most simple-minded kind of reflexology. Applications of copper remove fever, bruised pain, possess strong antibacterial properties, stop bleeding, improve metabolism, calm the nervous system, enhance the effect of insulin and heal inflammation in the body

25

**Charging of water:**

Metals like Gold, silver, and copper are put in water and kept for a specific time and used for Healing process

5

Gold - Respiratory diseases like asthma, breathlessness, diseases of lungs, Heart disease, brain decrease. It relaxes body and mind.

Silver - Organs related to digestion liver, intestines, stomach etc. Also diseases of Urinary system. Its also has anti viral, anti bacterial and anti fungal properties.

10

Copper - Joint disease, leprosy, polio, high BP, mental anxiety, paralysis etc

The foregoing description of the specific embodiments will so fully reveal the general nature of the embodiments herein that others can, by applying current knowledge, readily modify and/or adapt for various applications such specific embodiments without departing from the generic concept, and, therefore, such adaptations and modifications should and are intended to be comprehended within the meaning and range of equivalents of the disclosed embodiments. It is to be understood that the phraseology or terminology employed herein is for the purpose of description and not of limitation. Therefore, while the embodiments herein have been described in terms of preferred embodiments, those skilled in the art will recognize that the embodiments herein can be practiced with modification within the spirit and scope.

15

20

25

## CLAIMS

## I CLAIM:

1. A metal composite container 100 for storing hot or cold liquid, said container comprising:
  - 5 an outer casing 102 made from either plastic or metal or in combination to define shape of a bottle;
    - a flask 104 placed inside the outer casing 102, which is separated by a vacuum 106, wherein the flask is composed of metals such as 0.5-1% by weight of gold, 0.5-1.5% by weight of silver, 2% by weight of bronze, 2% by weight of brass,  
10 90-91.5% by weight of copper, 1% by weight of tin, 1% by weight of zinc and 1% by weight of iron for storing liquid 108;
    - an insulated support 110 for holding the inner casing in position within the outer casing; and
    - a metal or plastic cap 112 to open and close the flask.
- 15 2. The metal composite container as claimed in claim 1, wherein the metal composition of the flask is made into any shapes like bottle, rod, disc, plate, coin, etc. or like.
- 20 3. The metal composite container as claimed in claim 1, wherein the flask is a water pouring jug with or without any outer case.
4. The metal composite container as claimed in claim 2, wherein the metal composition of the flask having the rod or disc shape is immersed in a normal bottle,  
25 any other normal flask, jug, etc. or like.
5. The metal composite container as claimed in claim 1, wherein the vacuum between the flask and the outer case insulates the liquid inside the flask from ambient temperature.

6. The metal composite container as claimed in claim 1, wherein the flask keeps hot liquid warm up to 24 hours and cold liquid cooler up to 18 hours.

5 7. The metal composite container as claimed in claim 1, wherein the metal composite is of any desired ratio.

Dated 15<sup>th</sup> January, 2020

10

VINEED NAIR  
IN/PA-2198  
[ATTORNEY FOR  
THE APPLICANT[S]]

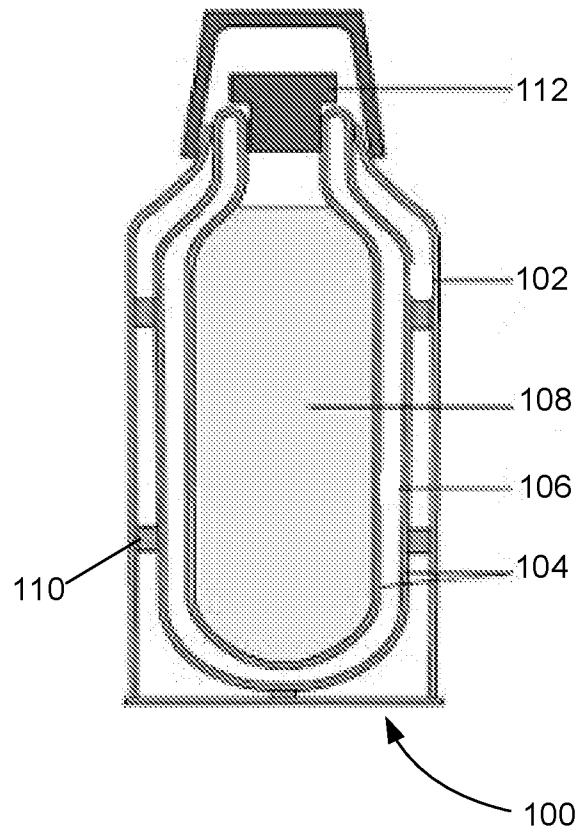


FIG. 1

## INTERNATIONAL SEARCH REPORT

International application No.  
PCT/IB2020/050322

A. CLASSIFICATION OF SUBJECT MATTER  
A47J41/00,C22C9/00 Version=2020.01

According to International Patent Classification (IPC) or to both national classification and IPC

B. FIELDS SEARCHED

Minimum documentation searched (classification system followed by classification symbols)

A47J C22C

Documentation searched other than minimum documentation to the extent that such documents are included in the fields searched

Electronic data base consulted during the international search (name of data base and, where practicable, search terms used)

TotalPatent One, IPO Internal Database

C. DOCUMENTS CONSIDERED TO BE RELEVANT

Category*	Citation of document, with indication, where appropriate, of the relevant passages	Relevant to claim No.
A	US6648168B2 (Nippon Sanso Corp; 18 Nov 2003) (Abstract; column 3 line 16 - line 55; figures 1-2)	1-7
A	WO2018153406A1 (EMSA GMBH; 30 Aug 2018) (Abstract; figure 1, 2; as per English translation on Espacenet)	1-7

Further documents are listed in the continuation of Box C.

See patent family annex.

\* Special categories of cited documents:

"A" document defining the general state of the art which is not considered to be of particular relevance

"D" document cited by the applicant in the international application

"E" earlier application or patent but published on or after the international filing date

"L" document which may throw doubts on priority claim(s) or which is cited to establish the publication date of another citation or other special reason (as specified)

"O" document referring to an oral disclosure, use, exhibition or other means

"P" document published prior to the international filing date but later than the priority date claimed

"T" later document published after the international filing date or priority date and not in conflict with the application but cited to understand the principle or theory underlying the invention

"X" document of particular relevance; the claimed invention cannot be considered novel or cannot be considered to involve an inventive step when the document is taken alone

"Y" document of particular relevance; the claimed invention cannot be considered to involve an inventive step when the document is combined with one or more other such documents, such combination being obvious to a person skilled in the art

"&" document member of the same patent family

Date of the actual completion of the international search

12-05-2020

Date of mailing of the international search report

12-05-2020

Name and mailing address of the ISA/

Indian Patent Office  
Plot No.32, Sector 14,Dwarka,New Delhi-110075  
Facsimile No.

Authorized officer

Aakash Gangwar

Telephone No. +91-1125300200

**INTERNATIONAL SEARCH REPORT**  
Information on patent family members

International application No.  
PCT/IB2020/050322

Citation	Pub.Date	Family	Pub.Date
US 6648168 B2	18-11-2003	JP 2002068324 A	08-03-2002
		KR 20030038715 A	16-05-2003
		WO 2002018232 A1	07-03-2002
		CA 2419437 C	14-11-2006
		EP 1318084 A4	31-03-2004
		CN 1447767 A	08-10-2003
WO 2018153406 A1	30-08-2018	DE 202017101031 U1	28-05-2018
		EP 3585223 A1	01-01-2020
		CN 110312455 A	08-10-2019