

[54] BLOOD CIRCUIT FOR MONITORING AND CONTROLLING THE BLOOD FLOW DURING EXTRACORPOREAL BLOOD TREATMENT

[75] Inventor: Francesco Blanco, Modena, Italy

[73] Assignee: Hospal Ltd., Basel, Switzerland

[**] Term: 14 Years

[21] Appl. No.: 727,238

[22] Filed: Apr. 25, 1985

[30] Foreign Application Priority Data

Oct. 31, 1984 [IT] Italy 53985/84[U]

[52] U.S. Cl. D24/21; D24/17

[58] Field of Search D24/21, 17; 604/5, 6; 128/691; 210/646, 644

[56] References Cited

U.S. PATENT DOCUMENTS

3,489,146	1/1970	Rubin et al.	D24/21 X
4,379,452	4/1983	De Vries	604/6
4,447,191	5/1984	Bilstad et al.	604/6 X

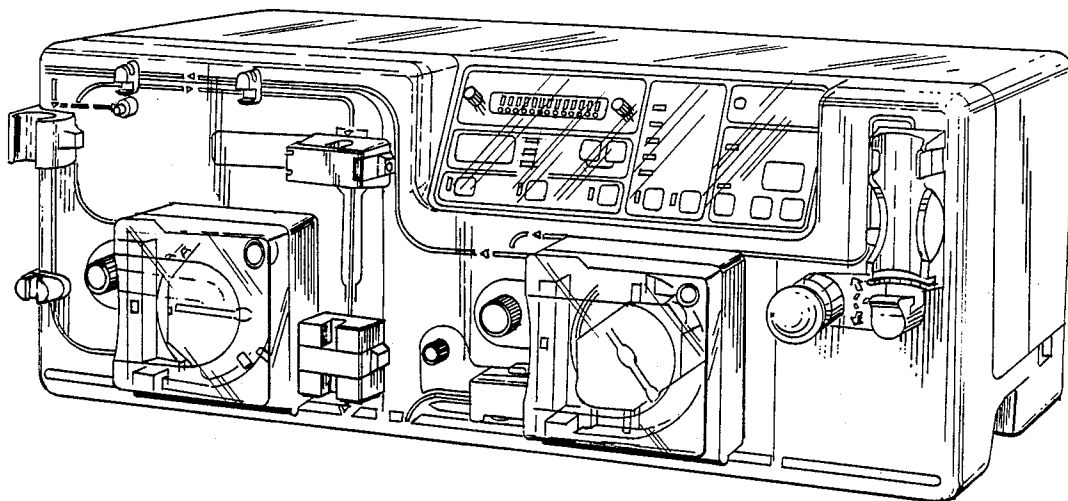
Primary Examiner—Wallace R. Burke
Assistant Examiner—Stella M. Reid
Attorney, Agent, or Firm—Gerald D. Sharkin; Robert S. Honor; Walter F. Jewell

[57] CLAIM

The ornamental design for a blood circuit for monitoring and controlling the blood flow during extracorporeal blood treatment, as shown and described.

DESCRIPTION

FIG. 1 is a front perspective view of a blood circuit for monitoring and controlling the blood flow during extracorporeal blood treatment showing my new design; FIG. 2 is a left side elevational view thereof; FIG. 3 is a rear elevational view thereof; and FIG. 4 is a bottom plan view thereof.



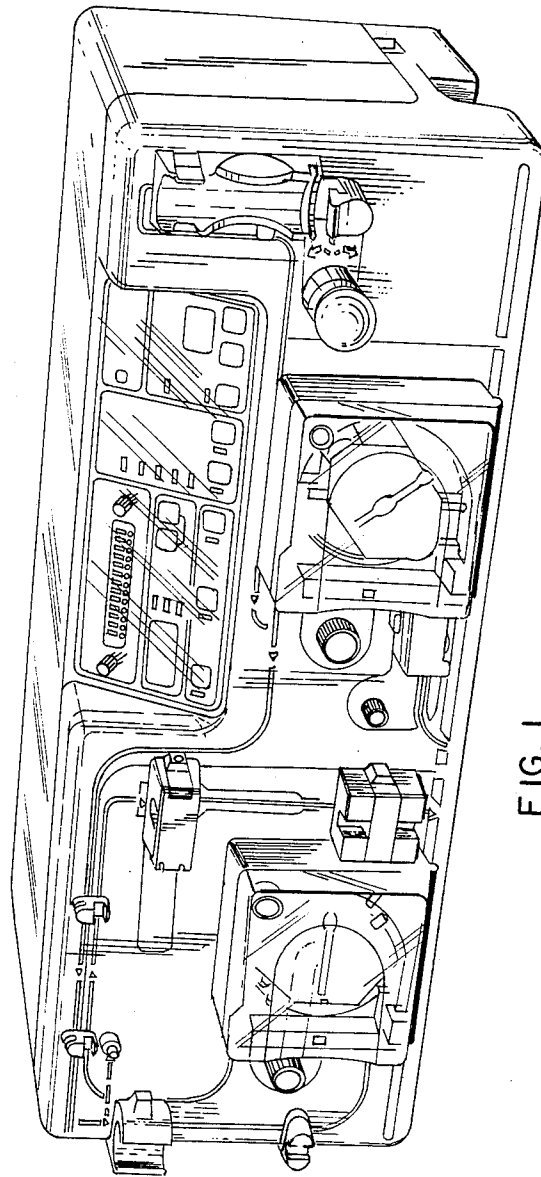


FIG. 1

Fig. 2.

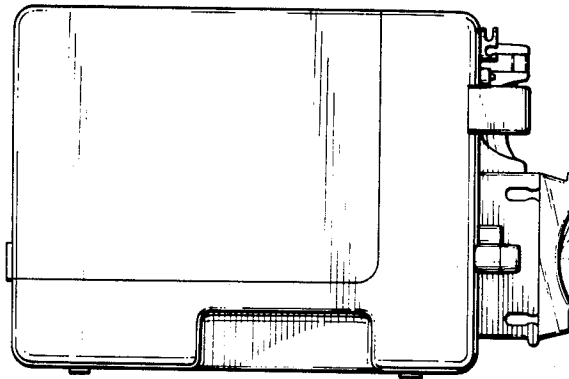


Fig. 3.

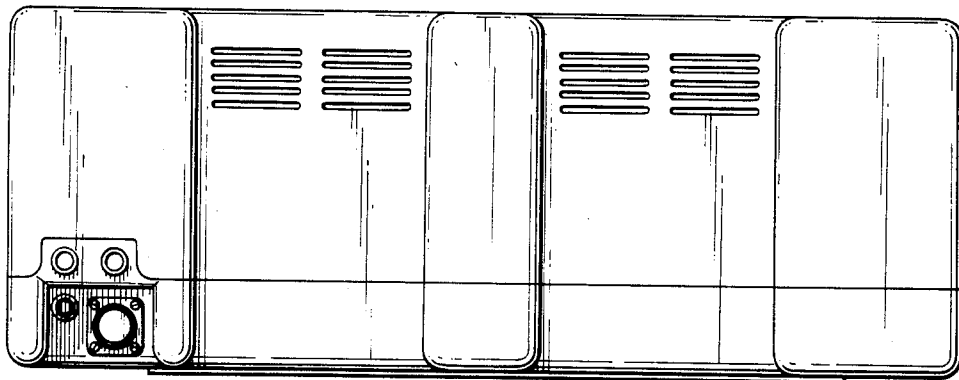


Fig. 4.

