

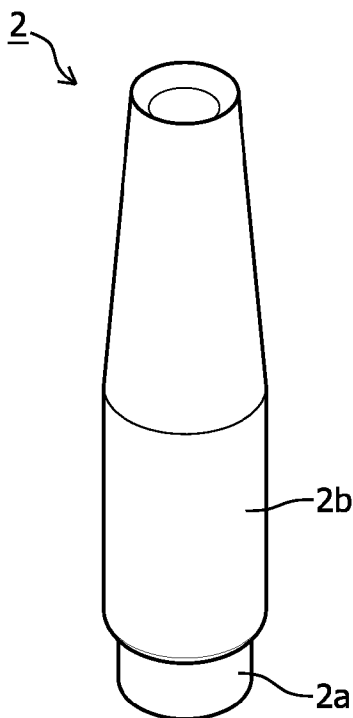


- (51) International Patent Classification:  
*A63B 57/00* (2006.01) *A63B 69/36* (2006.01)
- (21) International Application Number:  
PCT/NL2011/050580
- (22) International Filing Date:  
26 August 2011 (26.08.2011)
- (25) Filing Language: Dutch
- (26) Publication Language: English
- (30) Priority Data:  
2005276 26 August 2010 (26.08.2010) NL
- (71) Applicant (for all designated States except US): **VAN WIJNGAARDEN BEHEER B.V.** [NL/NL]; Valkstraat 41, NL-3882 HT Putten (NL).
- (72) Inventor; and  
(75) Inventor/Applicant (for US only): **VAN WIJNGAARDEN, Arie** [NL/NL]; Valkstraat 41, NL-3882 HT Putten (NL).
- (74) Agent: **LANGENHUIJSEN, Bastiaan, Wilhelmus, Herman**; Patentwerk B.V., P.O. Box 1514, NL-5200 BN 's-Hertogenbosch (NL).
- (81) Designated States (unless otherwise indicated, for every kind of national protection available): AE, AG, AL, AM, AO, AT, AU, AZ, BA, BB, BG, BH, BR, BW, BY, BZ, CA, CH, CL, CN, CO, CR, CU, CZ, DE, DK, DM, DO, DZ, EC, EE, EG, ES, FI, GB, GD, GE, GH, GM, GT, HN, HR, HU, ID, IL, IN, IS, JP, KE, KG, KM, KN, KP, KR, KZ, LA, LC, LK, LR, LS, LT, LU, LY, MA, MD, ME, MG, MK, MN, MW, MX, MY, MZ, NA, NG, NI, NO, NZ,

[Continued on next page]

(54) Title: TEE FOR SUPPORTING A GOLF BALL, AND DEVICE FOR DETECTING A GOLF BALL ON A TEE

(57) Abstract: On driving ranges golfers can strike golf balls from a tee in order to improve their stroke or as warm-up before they begin play on the golf course. The present invention relates to an improved tee for supporting a golf ball. The invention also relates to a device for detecting a golf ball on such a tee.



**FIG. 6a**





OM, PE, PG, PH, PL, PT, QA, RO, RS, RU, SC, SD, SE, SG, SK, SL, SM, ST, SV, SY, TH, TJ, TM, TN, TR, TT, TZ, UA, UG, US, UZ, VC, VN, ZA, ZM, ZW.

**(84) Designated States** (unless otherwise indicated, for every kind of regional protection available): ARIPO (BW, GH, GM, KE, LR, LS, MW, MZ, NA, SD, SL, SZ, TZ, UG, ZM, ZW), Eurasian (AM, AZ, BY, KG, KZ, MD, RU, TJ, TM), European (AL, AT, BE, BG, CH, CY, CZ, DE, DK, EE, ES, FI, FR, GB, GR, HR, HU, IE, IS, IT, LT, LU, LV, MC, MK, MT, NL, NO, PL, PT, RO, RS, SE, SI, SK, SM, TR), OAPI (BF, BJ, CF, CG, CI, CM, GA, GN, GQ, GW, ML, MR, NE, SN, TD, TG).

**Published:**

- with international search report (Art. 21(3))
- before the expiration of the time limit for amending the claims and to be republished in the event of receipt of amendments (Rule 48.2(h))

**(88) Date of publication of the international search report:**

31 May 2012

**INTERNATIONAL SEARCH REPORT**

International application No  
PCT/NL2011/050580

**A. CLASSIFICATION OF SUBJECT MATTER**  
INV. A63B57/00  
ADD. A63B69/36

According to International Patent Classification (IPC) or to both national classification and IPC

**B. FIELDS SEARCHED**

Minimum documentation searched (classification system followed by classification symbols)  
A63B

Documentation searched other than minimum documentation to the extent that such documents are included in the fields searched

Electronic data base consulted during the international search (name of data base and, where practical, search terms used)

EPO-Internal, WPI Data

**C. DOCUMENTS CONSIDERED TO BE RELEVANT**

Category*	Citation of document, with indication, where appropriate, of the relevant passages	Relevant to claim No.
X	US 5 348 305 A (LOWE) 20 September 1994 (1994-09-20) the whole document -----	1,5-7, 9-31
X	US 2 051 253 A (GOEHLER ET AL.) 18 August 1936 (1936-08-18) page 1, right-hand column, line 17 - page 2, left-hand column, line 73; figures I-V -----	1-6,9, 11-30 8
Y	US 2006/035727 A1 (BUTTERWORTH) 16 February 2006 (2006-02-16) paragraphs [0019] - [0028]; figures 1-9 -----	8
A	----- -/--	1-7,9

Further documents are listed in the continuation of Box C.

See patent family annex.

\* Special categories of cited documents :

- "A" document defining the general state of the art which is not considered to be of particular relevance
- "E" earlier document but published on or after the international filing date
- "L" document which may throw doubts on priority claim(s) or which is cited to establish the publication date of another citation or other special reason (as specified)
- "O" document referring to an oral disclosure, use, exhibition or other means
- "P" document published prior to the international filing date but later than the priority date claimed

- "T" later document published after the international filing date or priority date and not in conflict with the application but cited to understand the principle or theory underlying the invention
- "X" document of particular relevance; the claimed invention cannot be considered novel or cannot be considered to involve an inventive step when the document is taken alone
- "Y" document of particular relevance; the claimed invention cannot be considered to involve an inventive step when the document is combined with one or more other such documents, such combination being obvious to a person skilled in the art.
- "&" document member of the same patent family

Date of the actual completion of the international search

30 March 2012

Date of mailing of the international search report

11/04/2012

Name and mailing address of the ISA/

European Patent Office, P.B. 5818 Patentlaan 2  
NL - 2280 HV Rijswijk  
Tel. (+31-70) 340-2040,  
Fax: (+31-70) 340-3016

Authorized officer

Williams, Mark

**INTERNATIONAL SEARCH REPORT**

International application No  
PCT/NL2011/050580

C(Continuation). DOCUMENTS CONSIDERED TO BE RELEVANT

Category	Citation of document, with indication, where appropriate, of the relevant passages	Relevant to claim No.
X	US 2 618 480 A (WILLIAMS) 18 November 1952 (1952-11-18)  column 1, line 35 - column 3, line 60; figures 1,2  -----	1-7,9, 10, 12-19, 24-27
A	US 5 603 664 A (PROVOST) 18 February 1997 (1997-02-18) column 4, line 28 - column 6, line 53; claim 1; figures 1-8  -----	1-5, 12-19,31
A	JP 10 033739 A (KUSUNOSE SANGYO) 10 February 1998 (1998-02-10) abstract; figures 1-7  -----	1-5,7, 9-18

# INTERNATIONAL SEARCH REPORT

Information on patent family members

International application No

PCT/NL2011/050580

Patent document cited in search report	Publication date	Patent family member(s)	Publication date
US 5348305	A	20-09-1994	NONE
US 2051253	A	18-08-1936	NONE
US 2006035727	A1	16-02-2006	NONE
US 2618480	A	18-11-1952	NONE
US 5603664	A	18-02-1997	NONE
JP 10033739	A	10-02-1998	JP 3786478 B2 14-06-2006 JP 10033739 A 10-02-1998