



US00D716785S

(12) **United States Design Patent**
White

(10) **Patent No.:** **US D716,785 S**

(45) **Date of Patent:** **** Nov. 4, 2014**

(54) **CELLPHONE HOLDER**

(71) Applicant: **Joshua White**, Passaic, NJ (US)

(72) Inventor: **Joshua White**, Passaic, NJ (US)

(73) Assignee: **MOHS Innovations LLC**, Brooklyn, NY (US)

(**) Term: **14 Years**

(21) Appl. No.: **29/466,952**

(22) Filed: **Sep. 13, 2013**

(51) **LOC (10) Cl.** **14-03**

(52) **U.S. Cl.**

USPC **D14/250**; D14/253

(58) **Field of Classification Search**

USPC D14/250-253, 440, 203.3-203.7, 217, D14/496, 248, 238.1, 240, 447, 341-347, D14/444; D13/103, 107-108, 119; D3/201, D3/218, 247, 269, 273, 301, 303; 248/176.3, 188.8, 309.1, 371, 668; 361/220, 379.01, 679.01, 679.02, 361/679.09, 679.21, 679.25, 679.3, 679.4, 361/679.56, 679.57, 759, 807, 816; 379/433.11, 451, 455; 455/556.1, 557, 455/566, 575.1, 575.2, 575.8; 206/37, 45.2, 206/305, 320, 216; 320/108, 115; 429/96; 220/4.02; 150/165; 174/50; 235/41, 235/375, 462; 312/223.1; 396/535

See application file for complete search history.

(56) **References Cited**

U.S. PATENT DOCUMENTS

5,004,106	A *	4/1991	Blumstock et al.	206/581
5,517,683	A *	5/1996	Collett et al.	455/575.1
5,947,294	A *	9/1999	Omata et al.	206/534.1
D556,681	S *	12/2007	Kim	D13/103
D609,463	S *	2/2010	Bullen	D3/218
D650,810	S *	12/2011	Lemelman et al.	D14/496
8,077,860	B2 *	12/2011	Lin	379/447
D653,202	S *	1/2012	Hasbrook et al.	D13/103
D663,263	S *	7/2012	Gupta et al.	D13/103

D664,091	S *	7/2012	Pliner et al.	D13/108
D665,347	S *	8/2012	Chen	D13/108
D665,735	S *	8/2012	Kang et al.	D13/108
D671,493	S *	11/2012	Hasbrook et al.	D13/119
D677,249	S *	3/2013	Li et al.	D14/250
D679,271	S *	4/2013	Liu	D14/250
8,644,895	B2 *	2/2014	Heywood	455/575.8
D703,651	S *	4/2014	Ehrlich	D14/250
2011/0064401	A1 *	3/2011	Desorbo	396/419
2011/0304963	A1 *	12/2011	Luksik	361/679.01
2012/0106054	A1 *	5/2012	Royz et al.	361/679.3
2013/0088813	A1 *	4/2013	Su et al.	361/679.01
2013/0220847	A1 *	8/2013	Fisher et al.	206/216
2013/0273983	A1 *	10/2013	Hsu	455/575.1
2014/0117820	A1 *	5/2014	Hung	312/223.1
2014/0128130	A1 *	5/2014	Chiu	455/575.8

OTHER PUBLICATIONS

No more charging cables: Prong iPhone case has wall prongs, published Sep. 9, 2013, <URL:http://www.cnet.com/news/no-more-charging-cables-prong-iphone-case-has-wall-prongs/>, retrieved from internet on Jun. 14, 2014.*

* cited by examiner

Primary Examiner — Carla Jobe Wright

(74) *Attorney, Agent, or Firm* — Kenyon & Kenyon, LLP

(57) **CLAIM**

The ornamental design for a cellphone holder, as shown and described.

DESCRIPTION

FIG. 1 is a front perspective view of an ornamental design for a cellphone holder showing my new design;
FIG. 2 is a front view thereof;
FIG. 3 is a rear view thereof;
FIG. 4 is a right side view thereof;
FIG. 5 is a left side view thereof;
FIG. 6 is a top view thereof;
FIG. 7 is a bottom view thereof;
FIG. 8 is a rear perspective view thereof;
FIG. 9 is a front perspective view of the ornamental design for a cellphone holder showing my new design, in which a rear cover is shown in an alternate position with prongs extended;
FIG. 10 is a front view thereof;

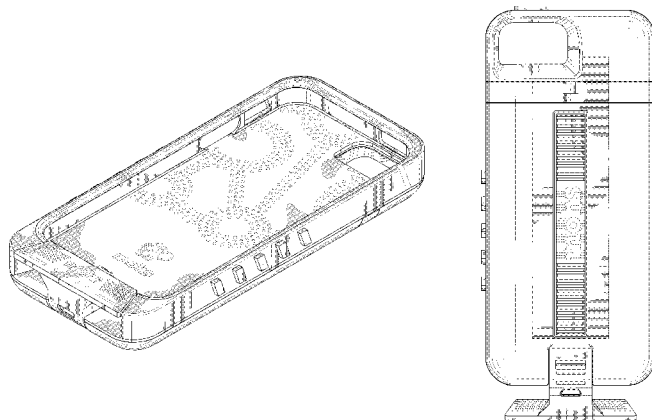


FIG. 11 is a rear view thereof;
FIG. 12 is a right side view thereof;
FIG. 13 is a left side view thereof;
FIG. 14 is a top view thereof;
FIG. 15 is a bottom view thereof;
FIG. 16 is a rear perspective view thereof;
FIG. 17 is a front perspective view of the ornamental design for a cellphone holder showing my new design, in which a bottom adapter is shown in an alternate position;
FIG. 18 is a front view thereof;
FIG. 19 is a rear view thereof;
FIG. 20 is a right side view thereof;
FIG. 21 is a left side view thereof;
FIG. 22 is a top view thereof;
FIG. 23 is a bottom view thereof;
FIG. 24 is a rear perspective view thereof;
FIG. 25 is a front perspective view of the ornamental design for a cellphone holder showing my new design, in which the bottom adapter is shown in another alternate position;
FIG. 26 is a front view thereof;
FIG. 27 is a rear view thereof;

FIG. 28 is a right side view thereof;
FIG. 29 is a left side view thereof;
FIG. 30 is a top view thereof;
FIG. 31 is a bottom view thereof;
FIG. 32 is a rear perspective view thereof;
FIG. 33 is a front perspective view of the ornamental design for a cellphone holder showing my new design, in which prong covers are shown in an alternate position;
FIG. 34 is a front view thereof;
FIG. 35 is a rear view thereof;
FIG. 36 is a right side view thereof;
FIG. 37 is a left side view thereof;
FIG. 38 is a top view thereof;
FIG. 39 is a bottom view thereof; and,
FIG. 40 is a rear perspective view thereof.
The Figures include an illustration of the logo, "mohs," and other written matter, which is shown for illustrative purposes and forms no part of the claimed design. The broken line showing of the Figures is for purposes of illustration and forms no part of the claimed design.

1 Claim, 30 Drawing Sheets

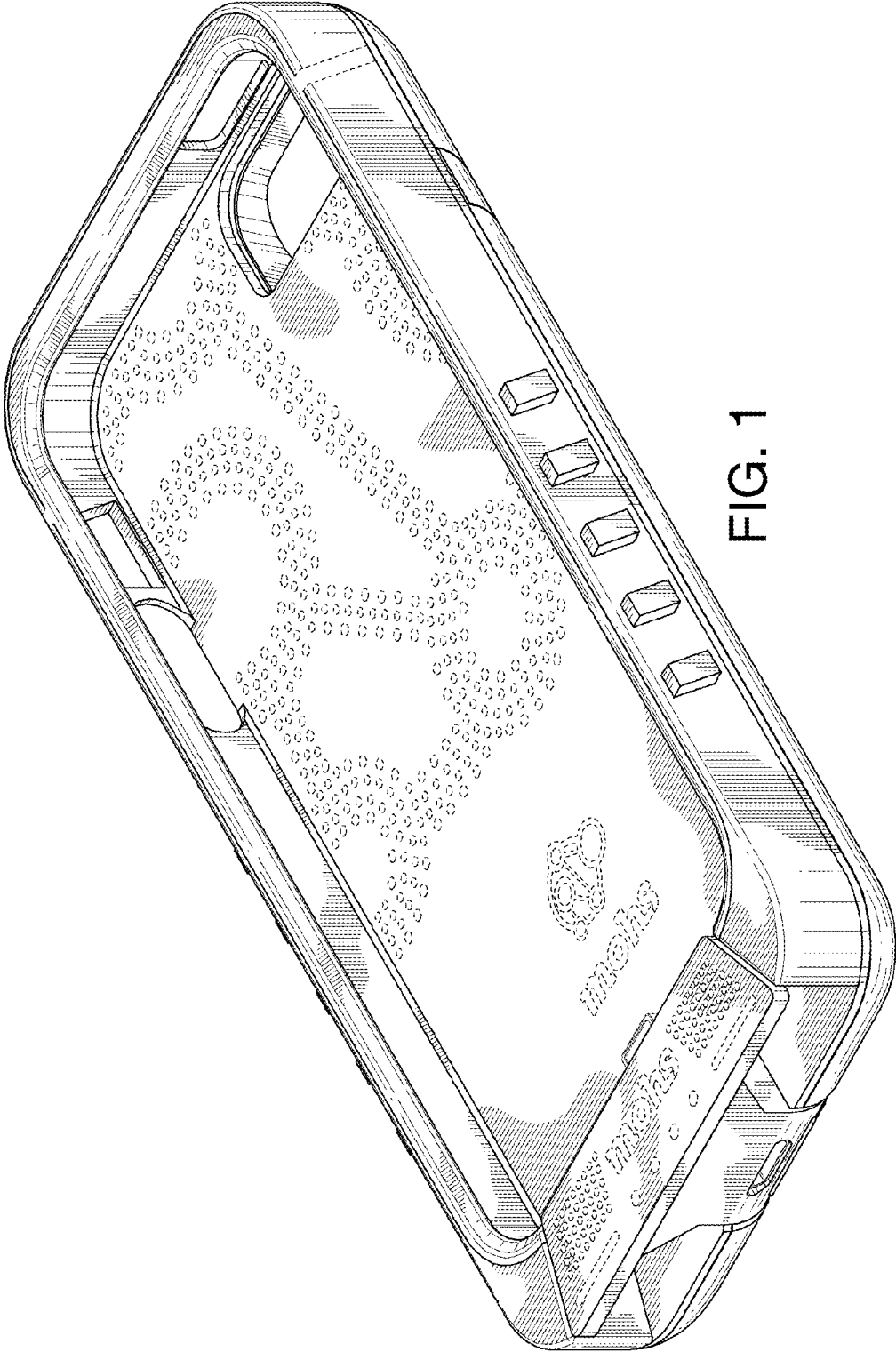


FIG. 1

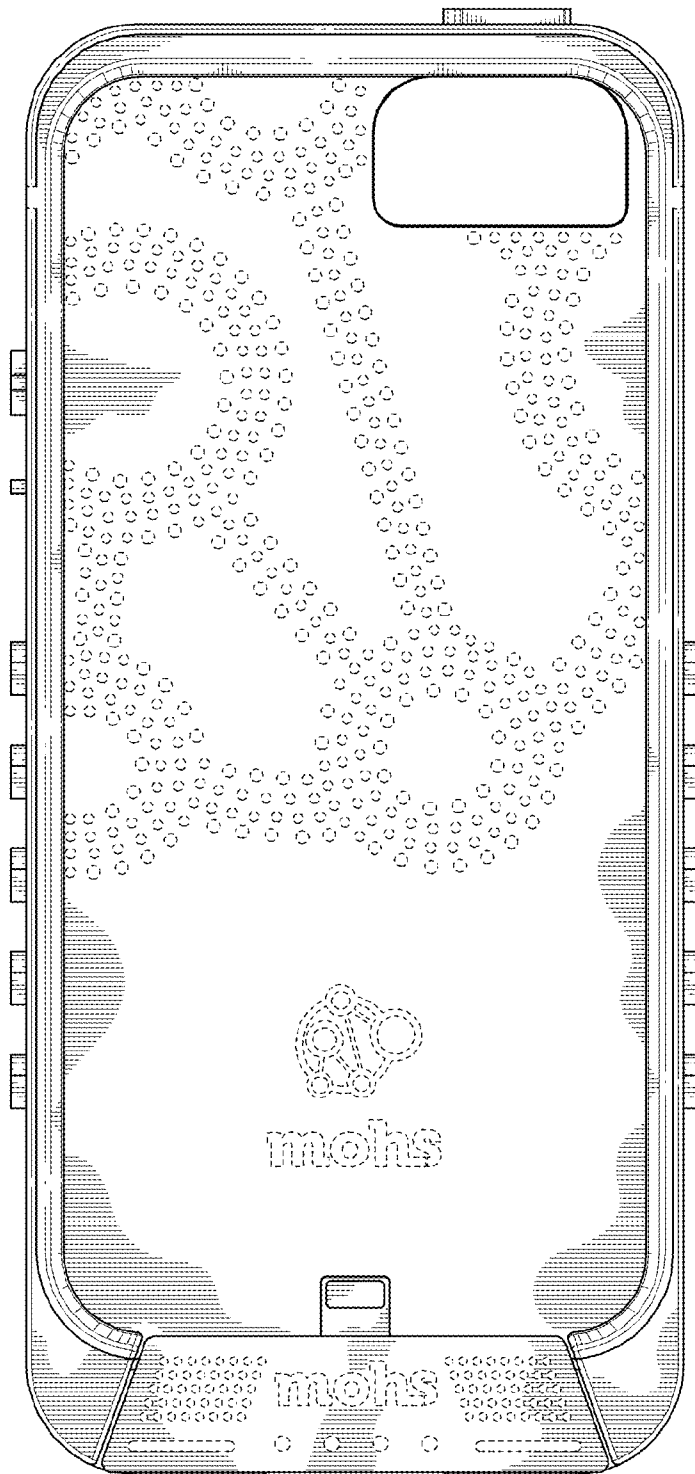


FIG. 2

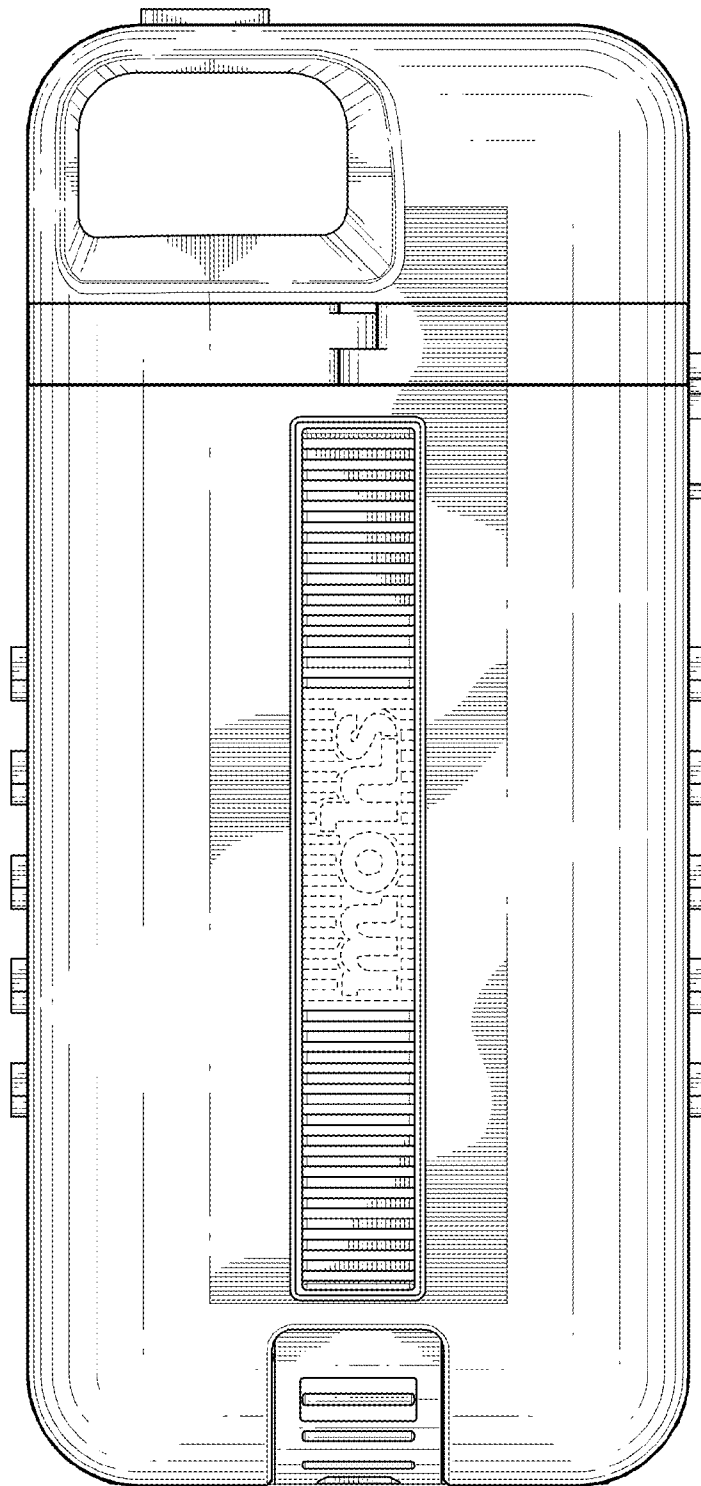


FIG. 3

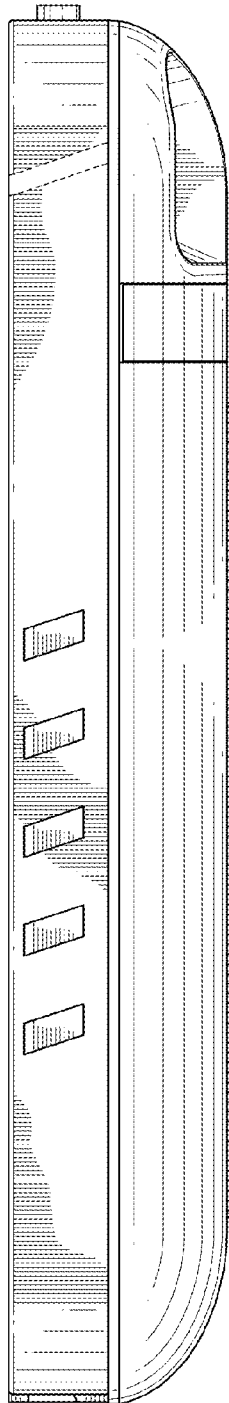


FIG. 4

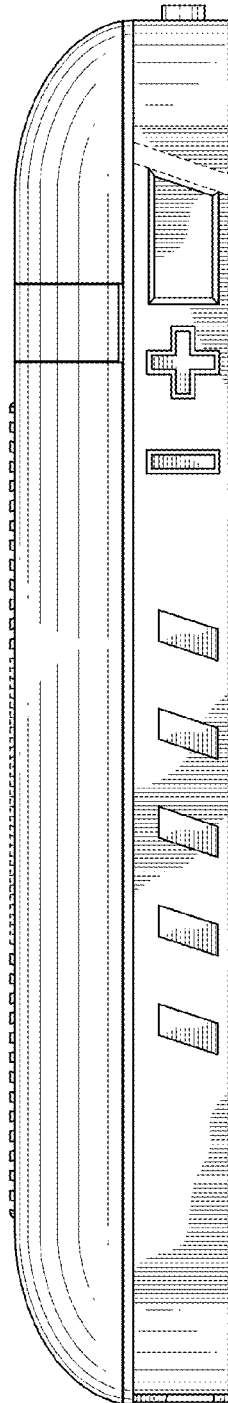


FIG. 5

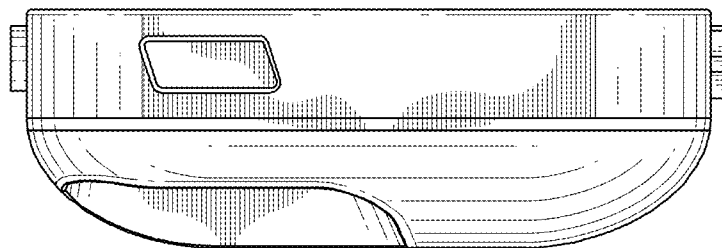


FIG. 6

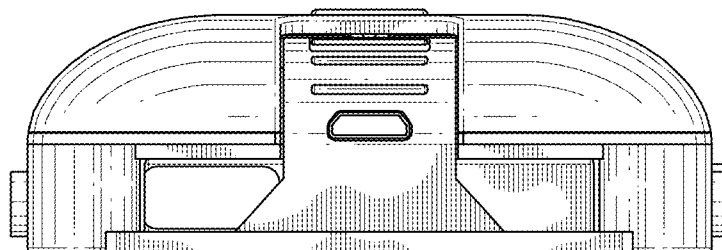


FIG. 7

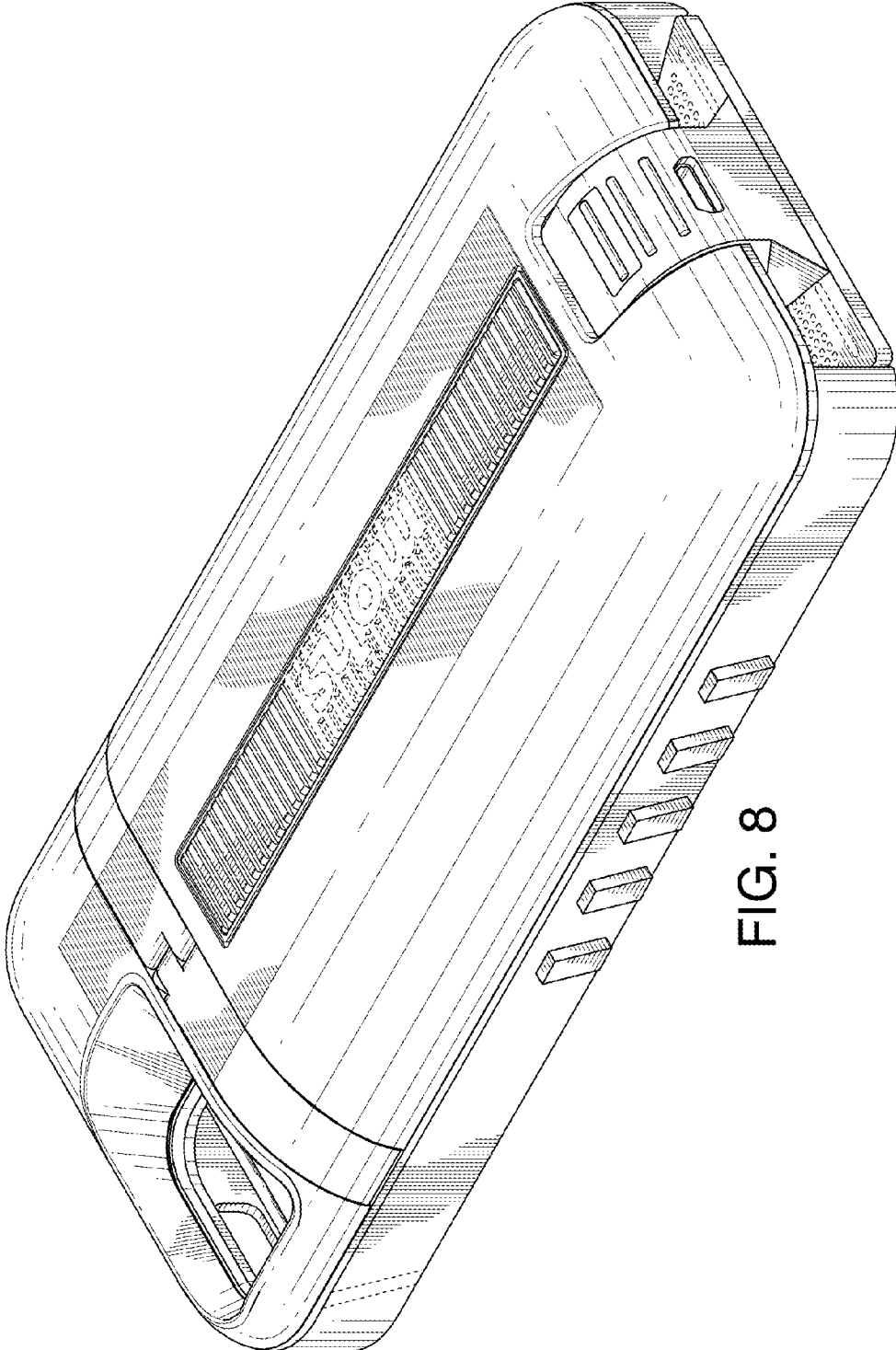


FIG. 8

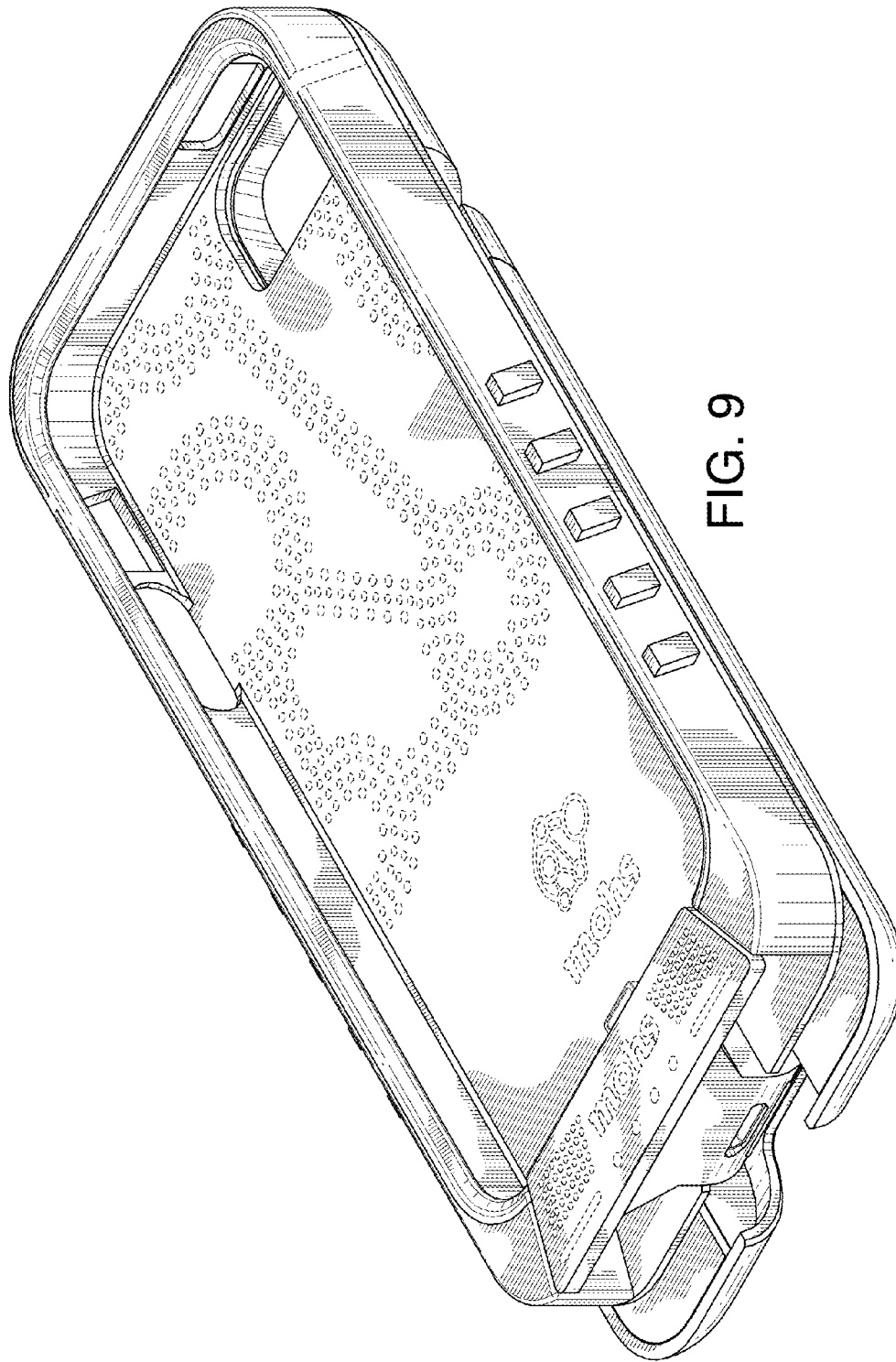


FIG. 9

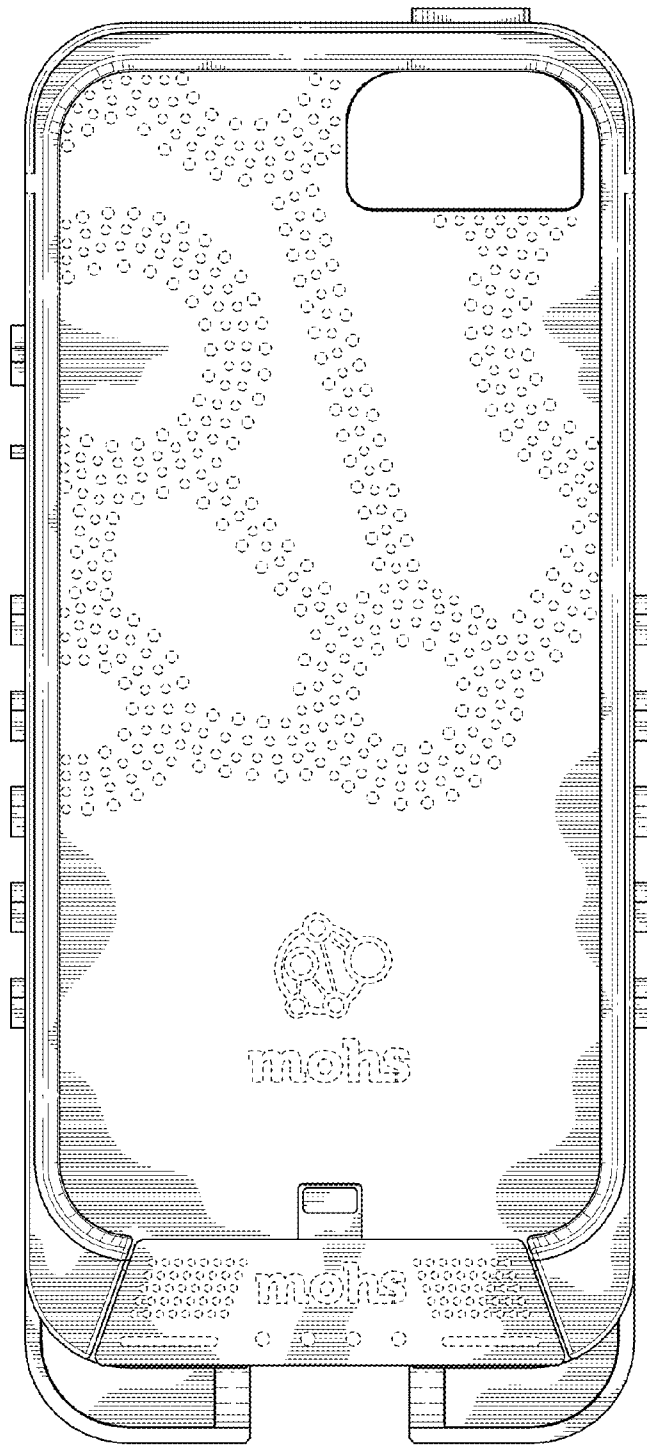


FIG. 10

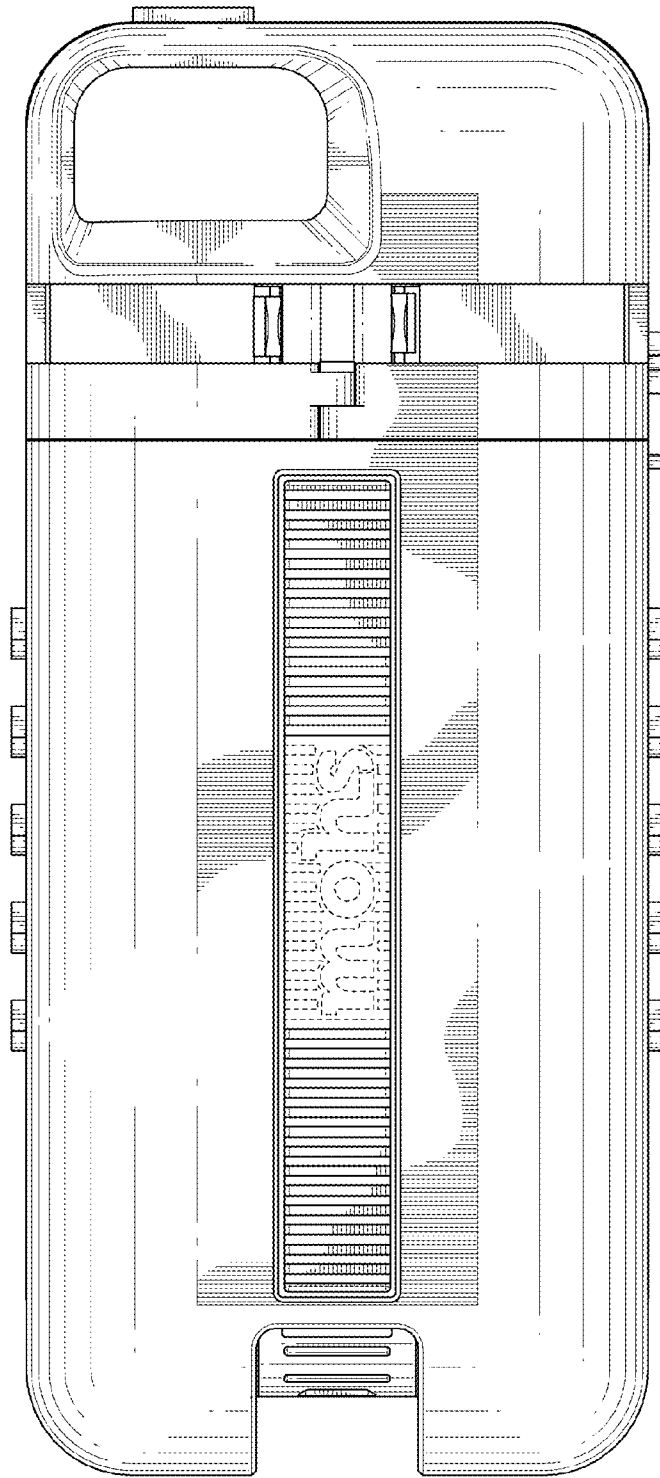


FIG. 11

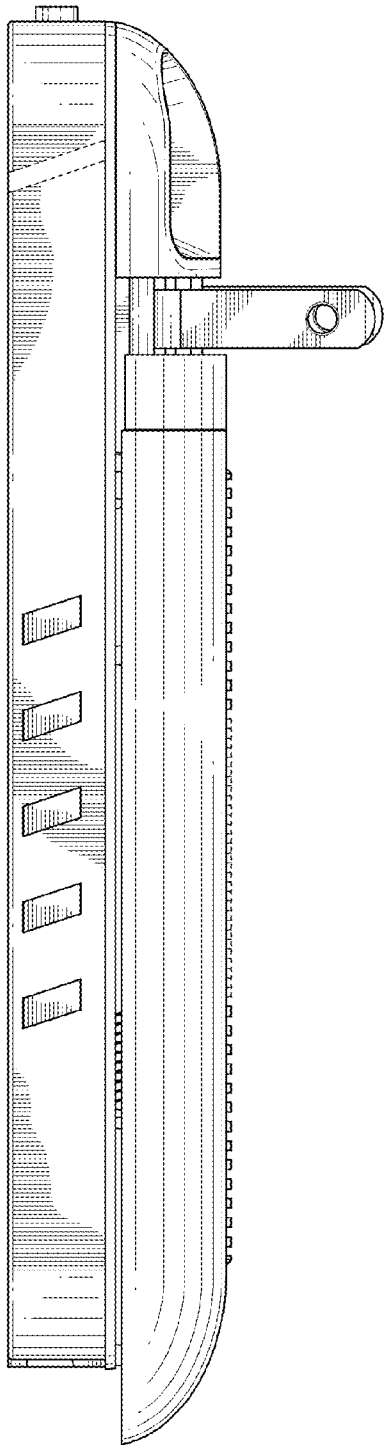


FIG. 12

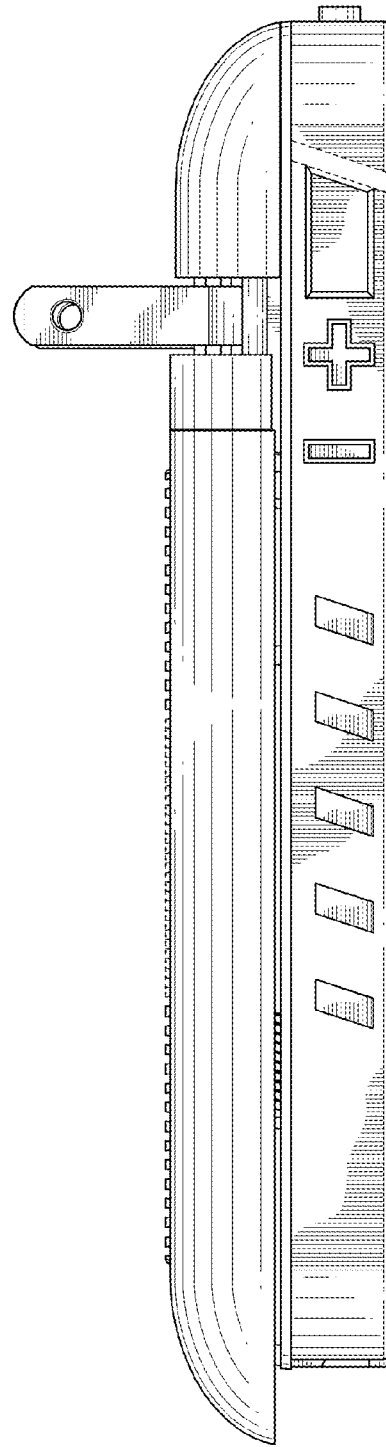


FIG. 13

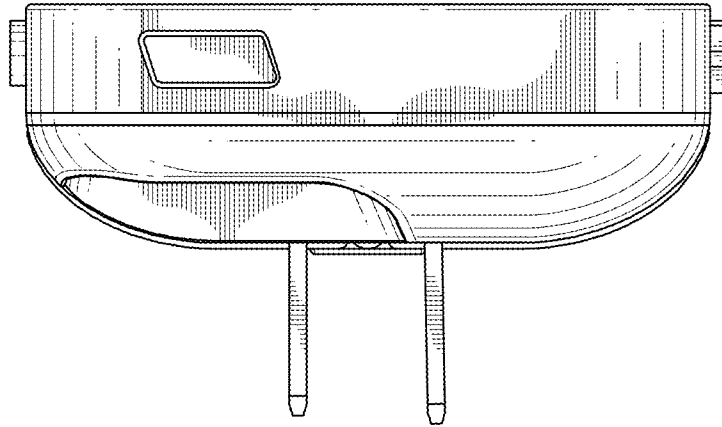


FIG. 14

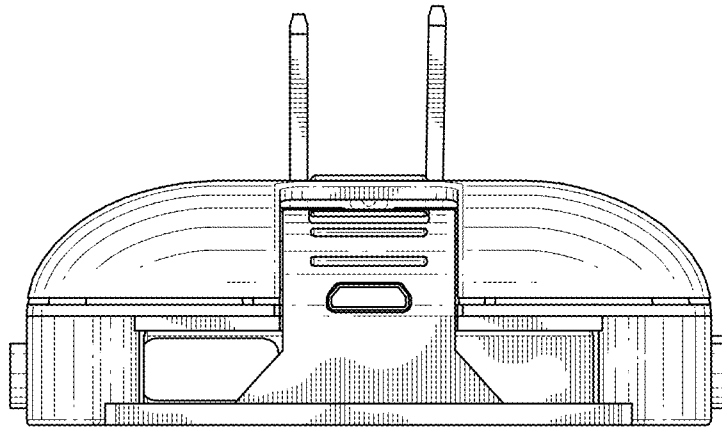


FIG. 15

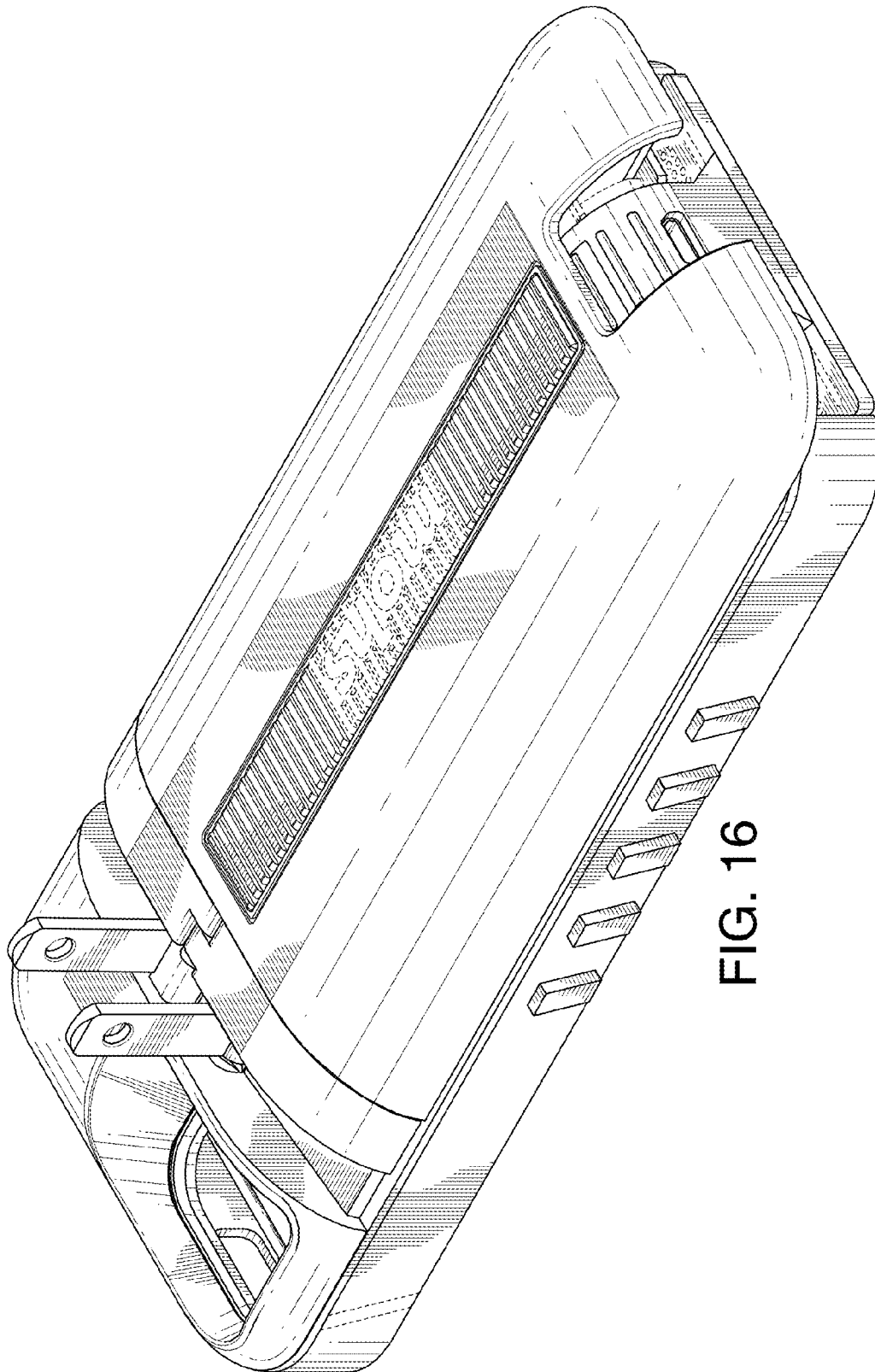


FIG. 16

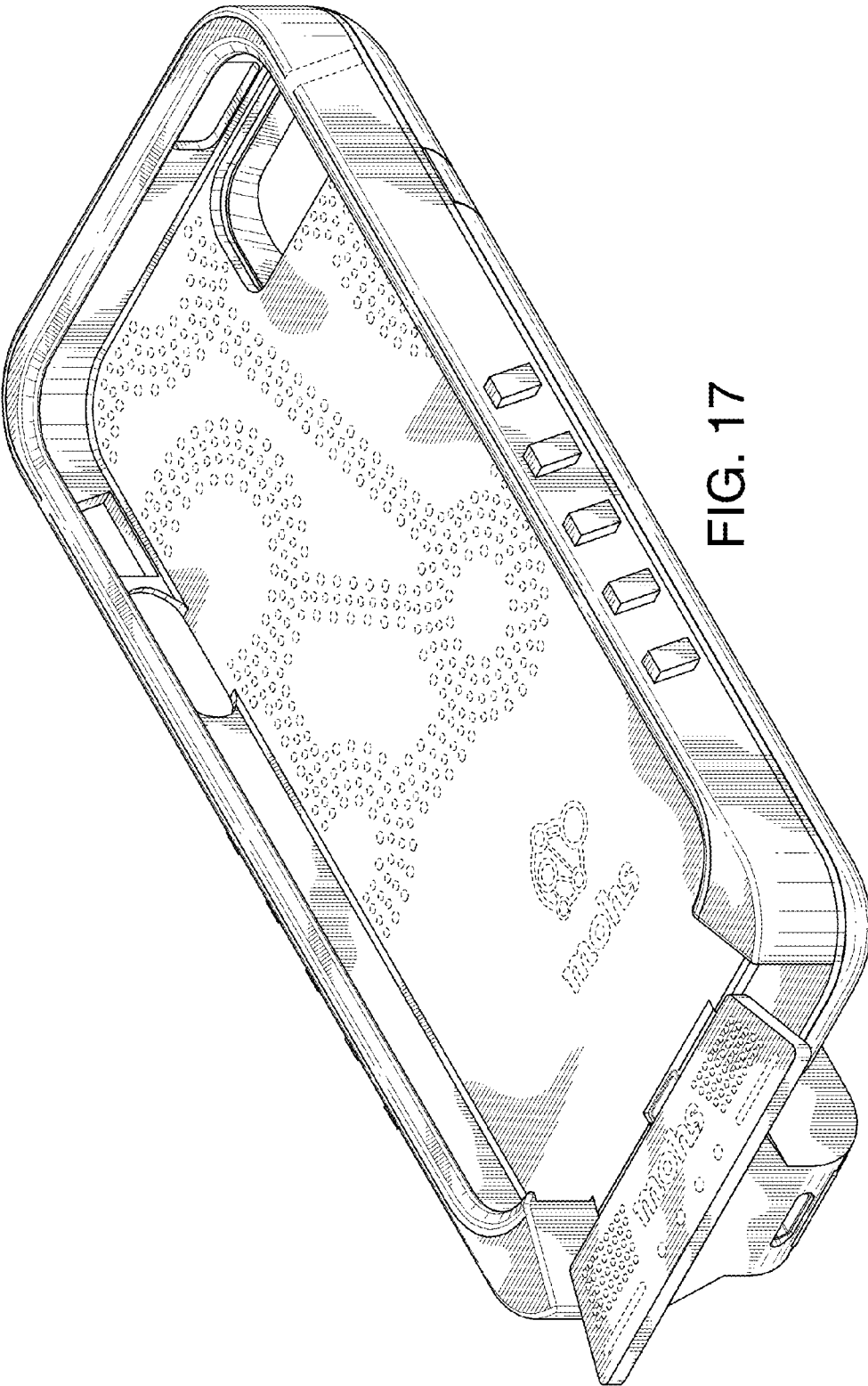


FIG. 17

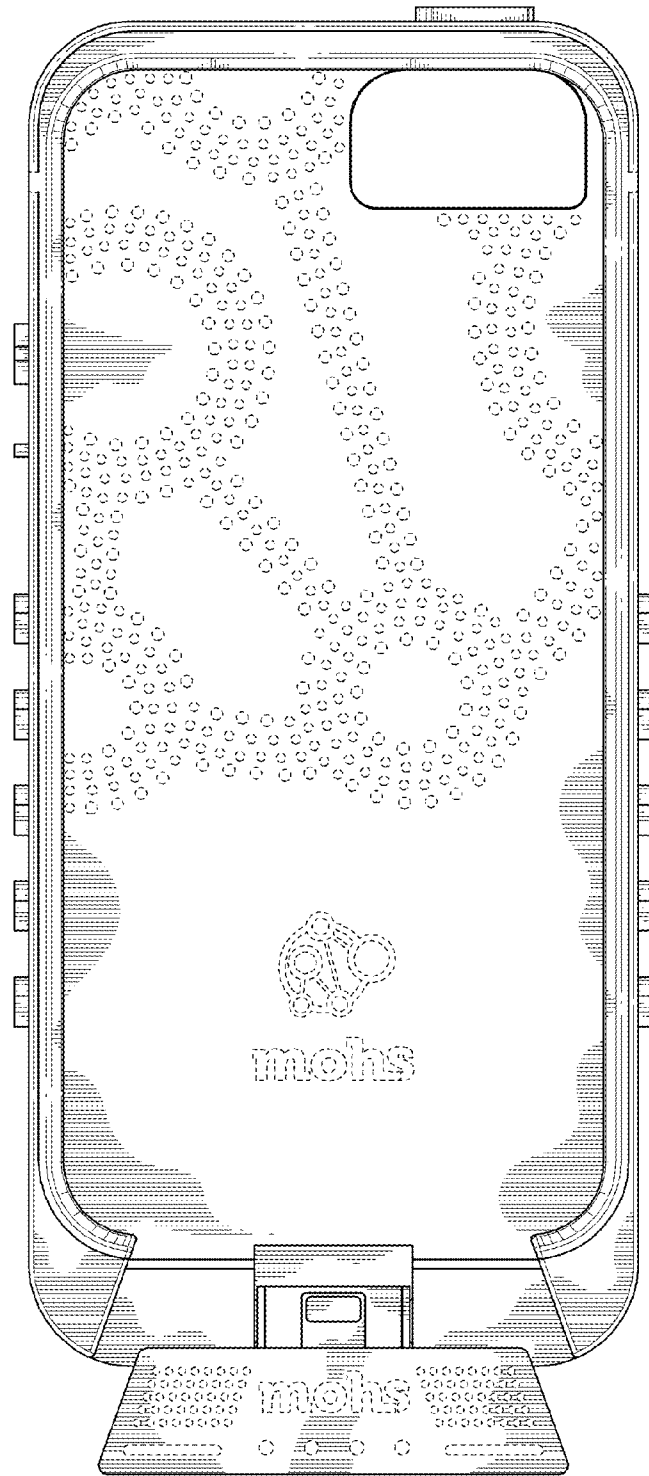


FIG. 18

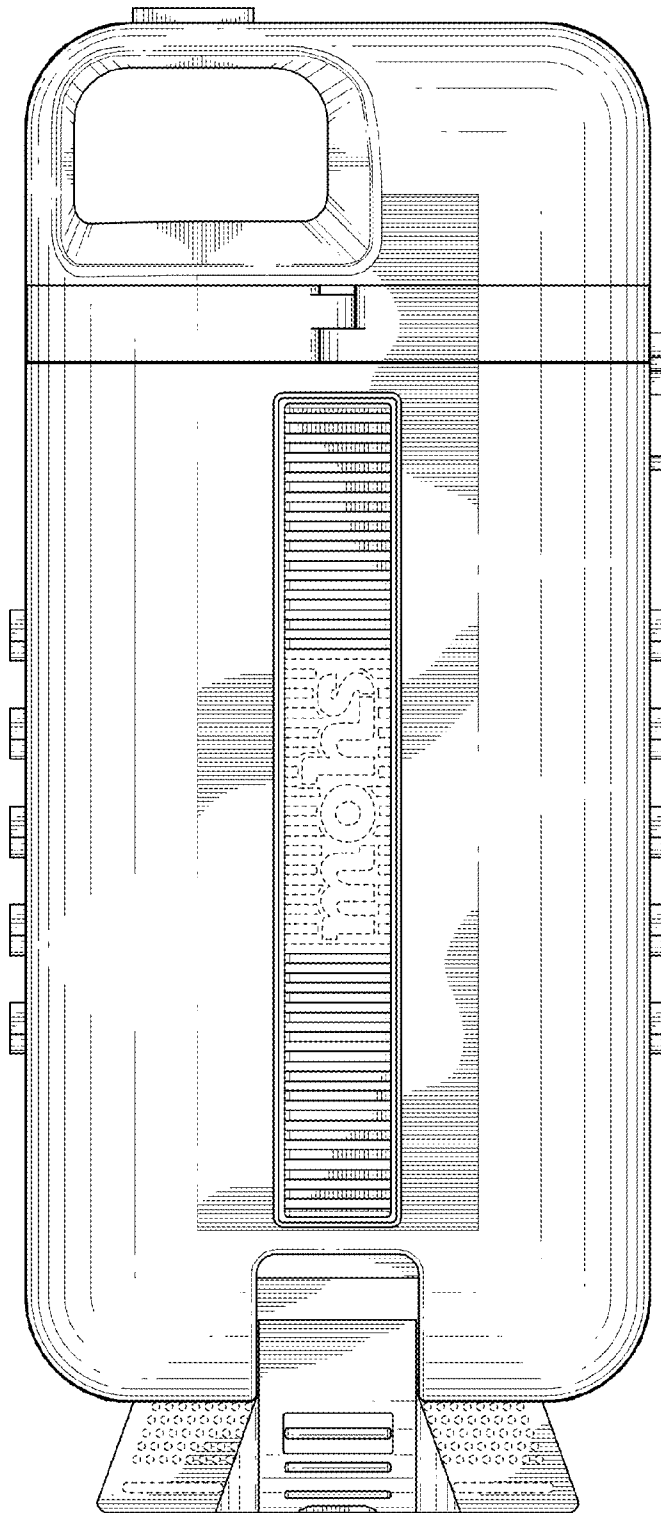


FIG. 19

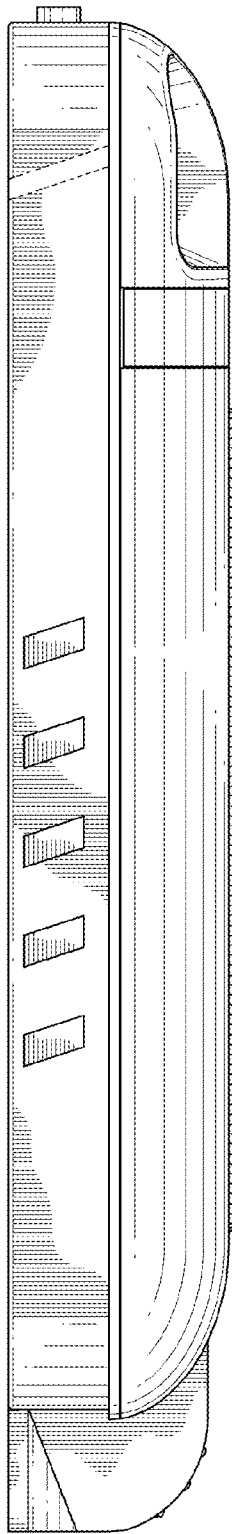


FIG. 20

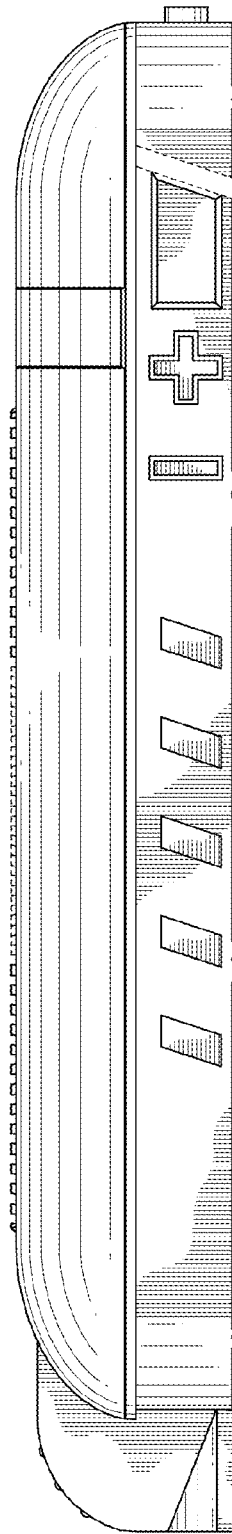


FIG. 21

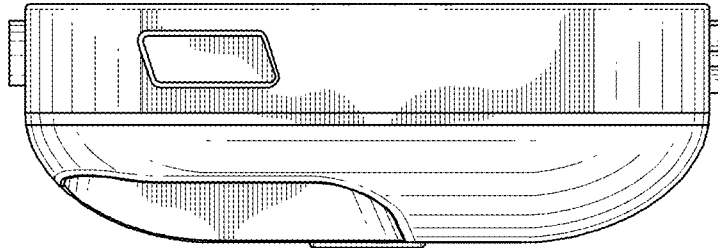


FIG. 22

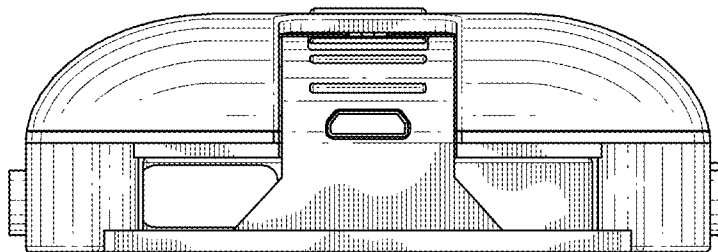


FIG. 23

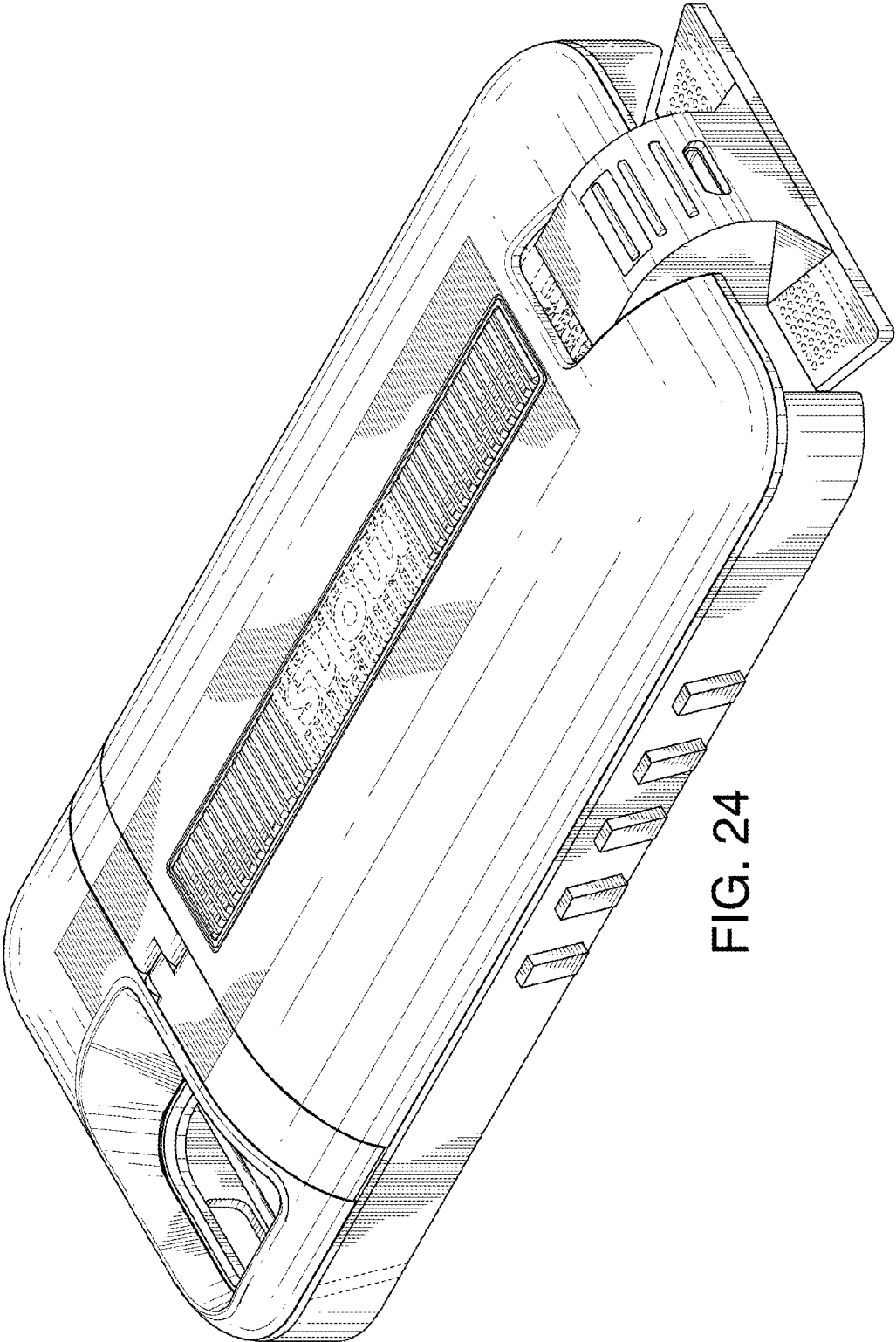


FIG. 24

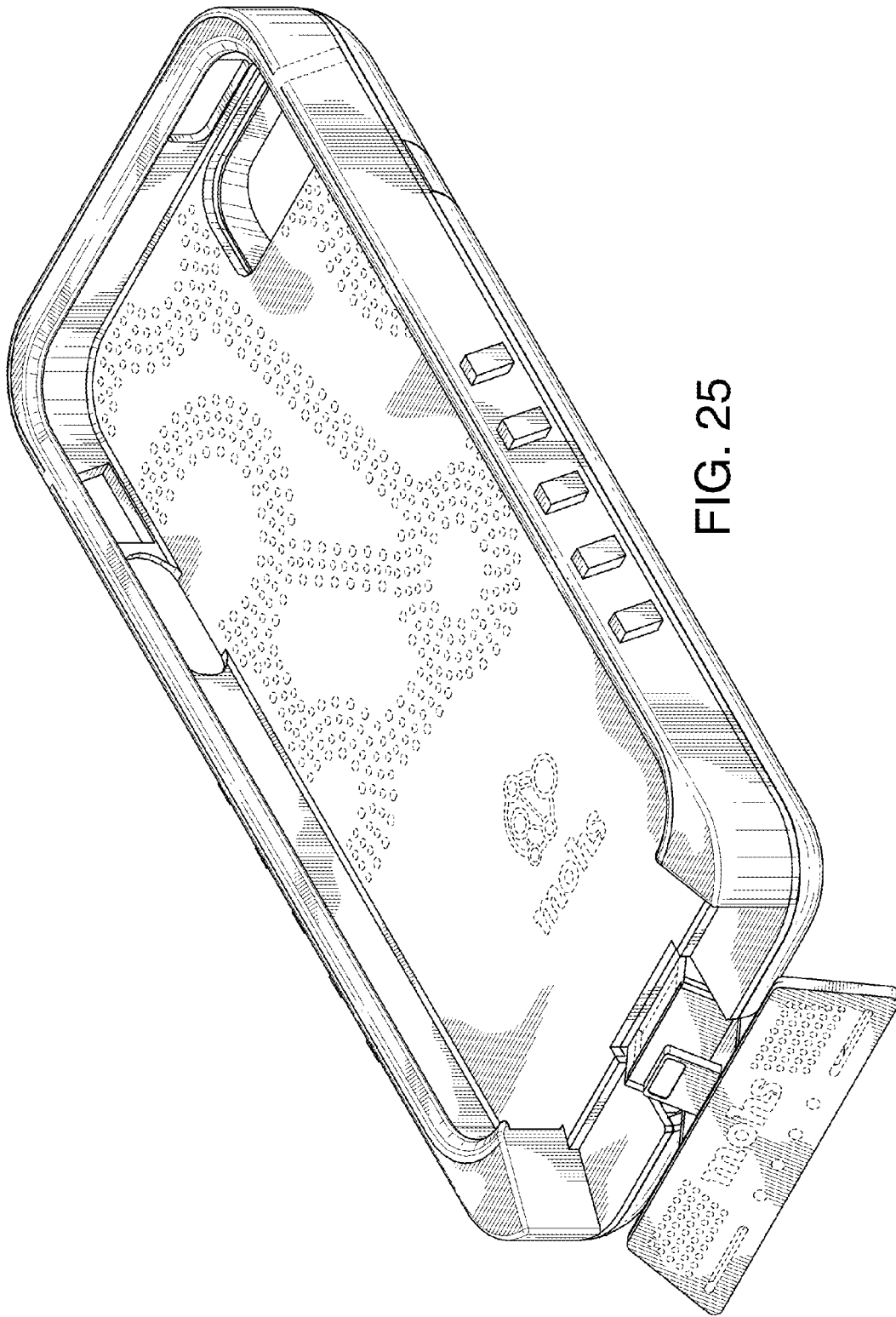


FIG. 25

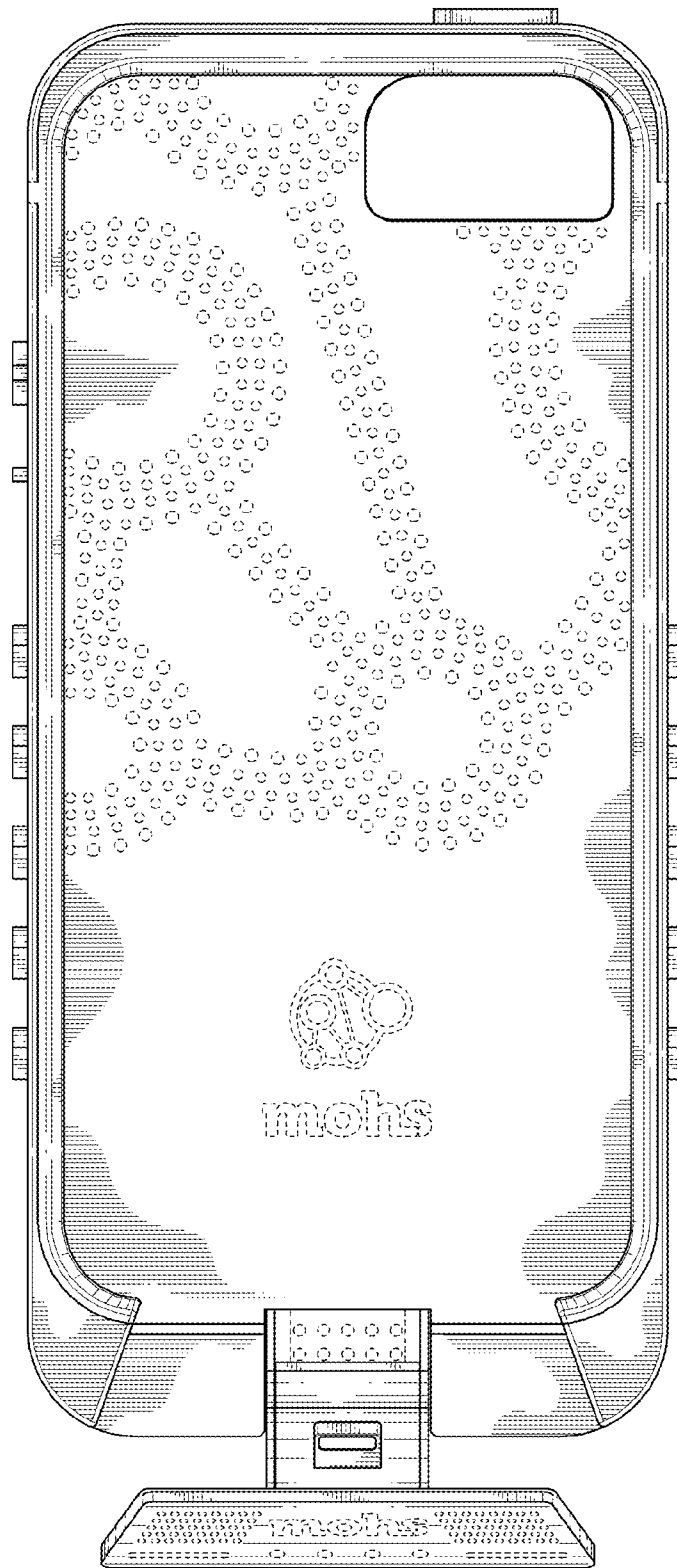


FIG. 26

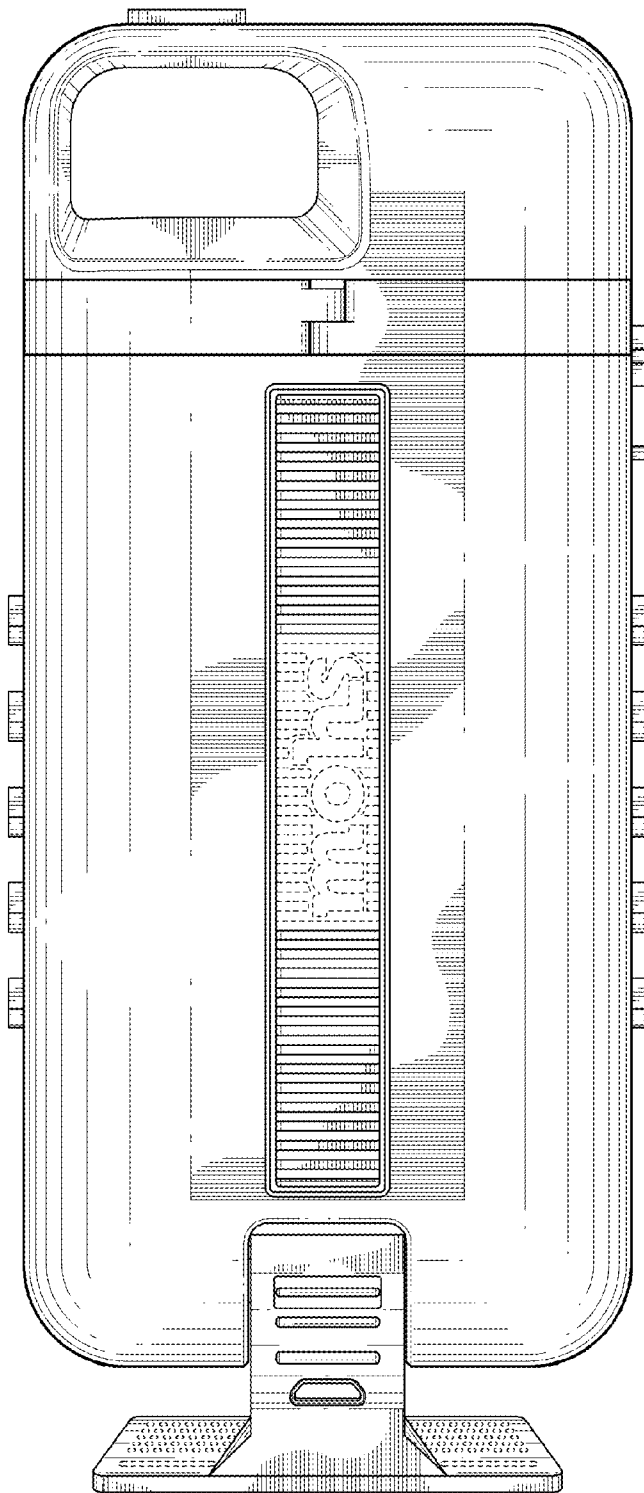


FIG. 27

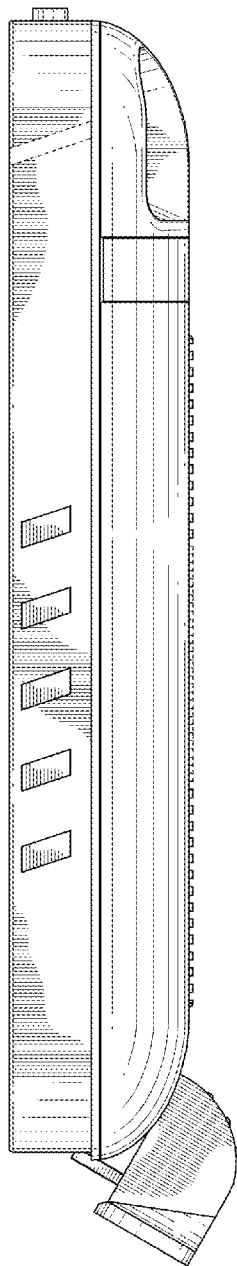


FIG. 28

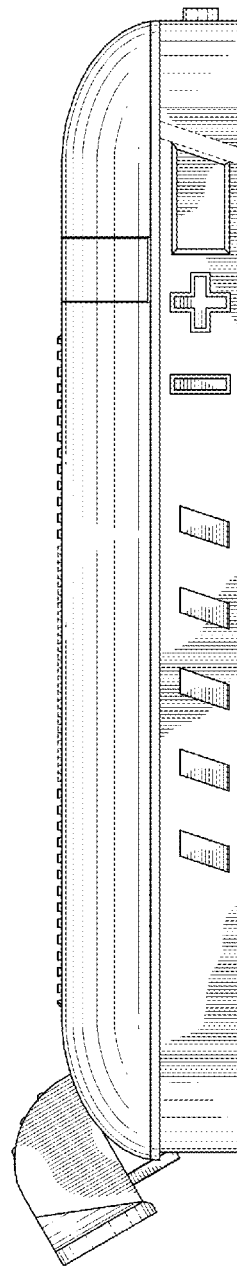


FIG. 29

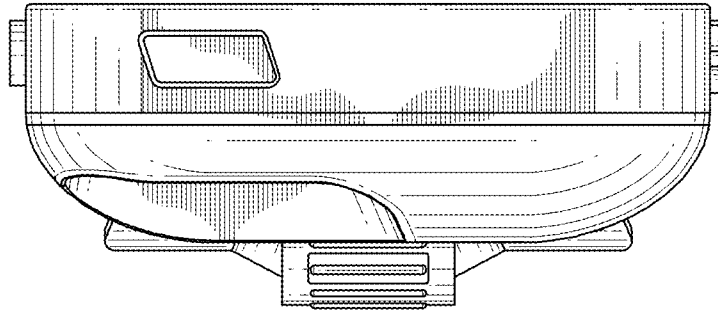


FIG. 30

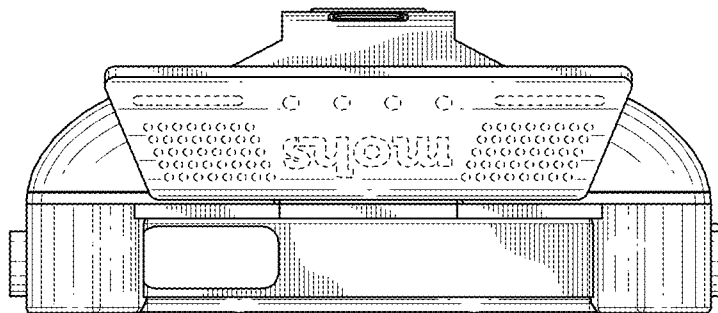


FIG. 31

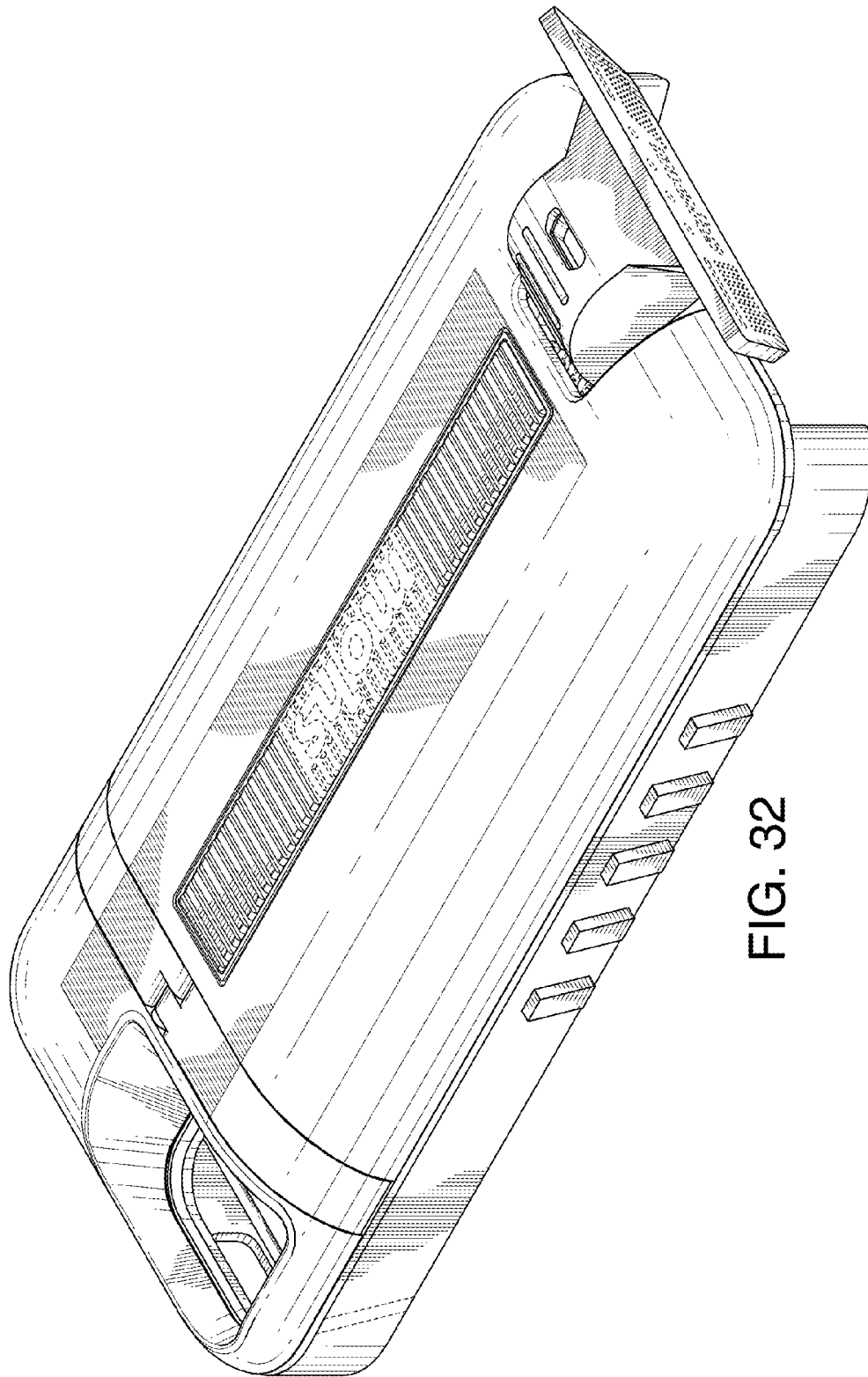


FIG. 32

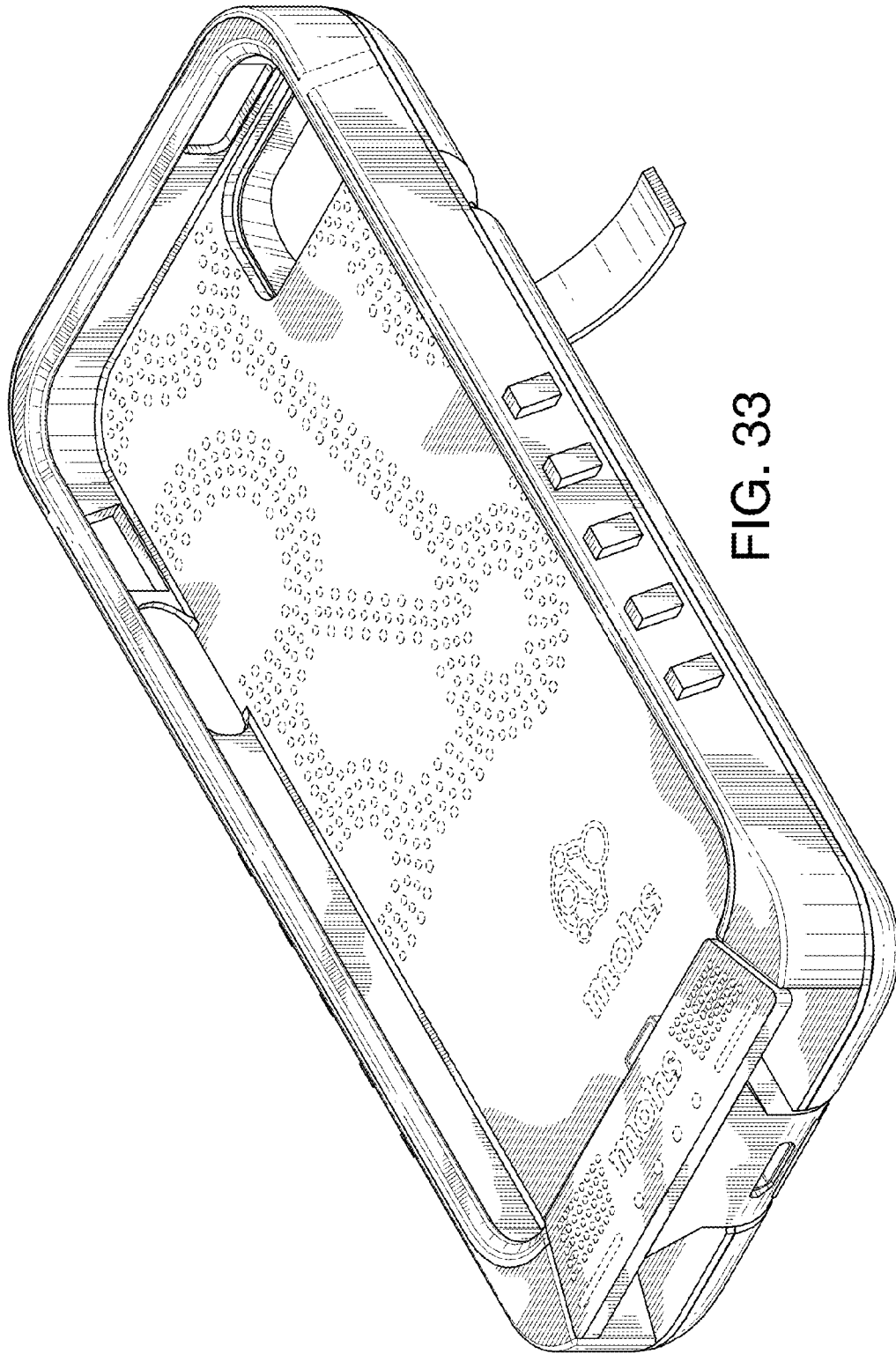


FIG. 33

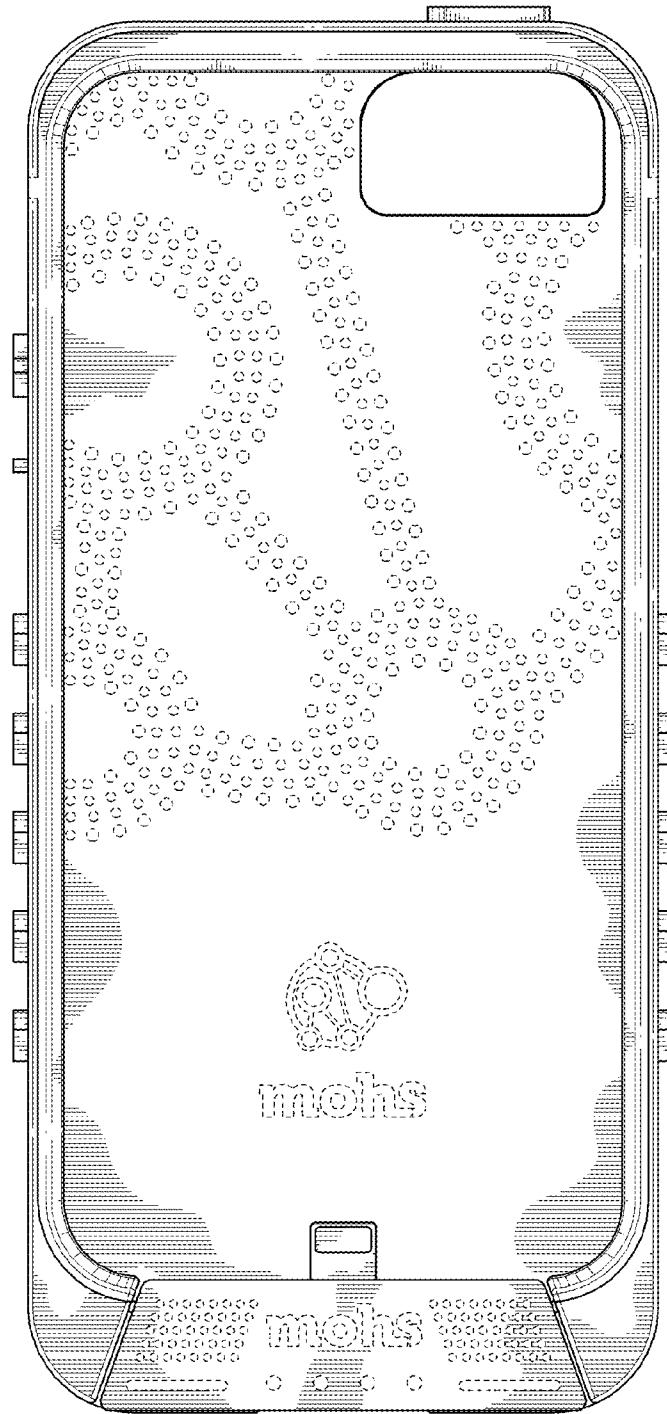


FIG. 34

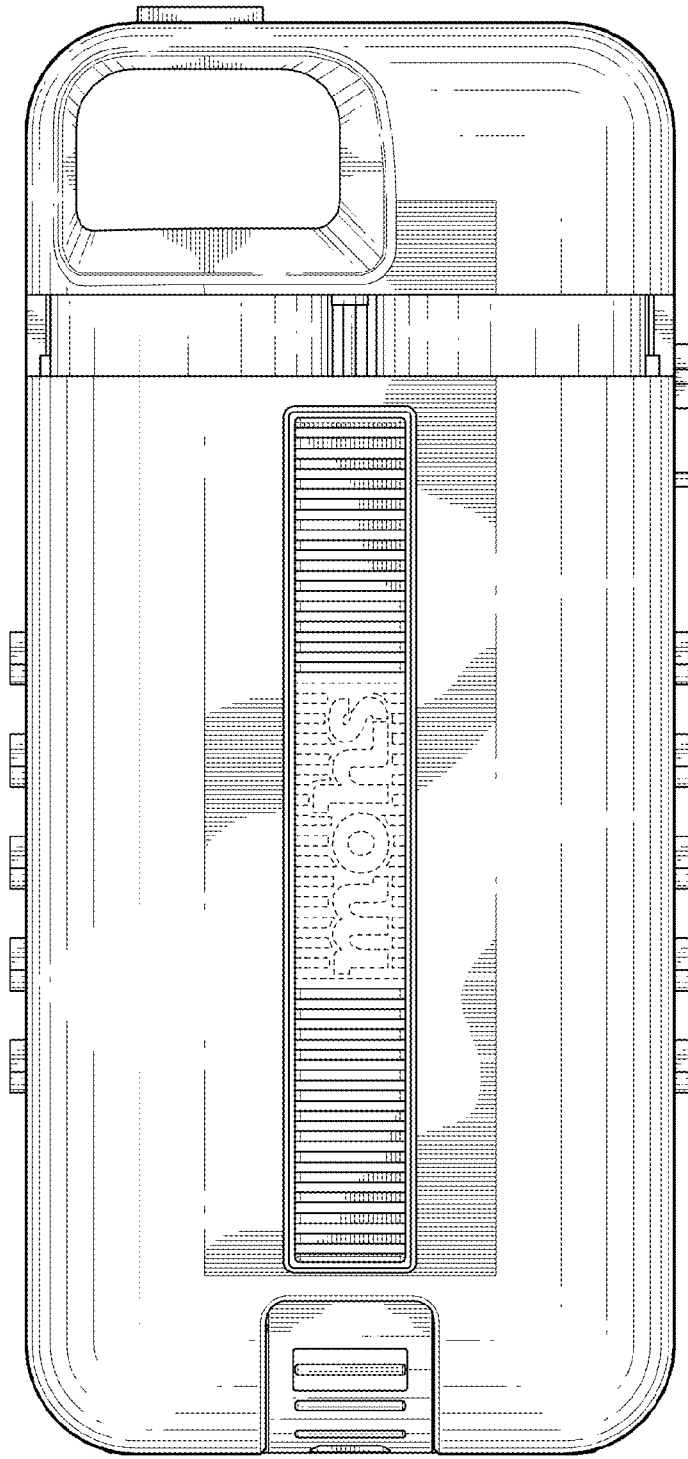


FIG. 35

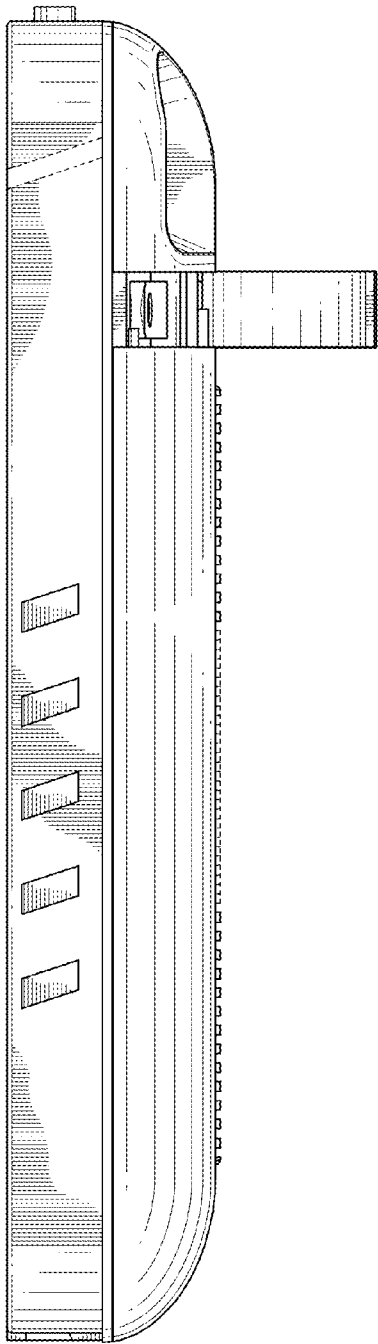


FIG. 36

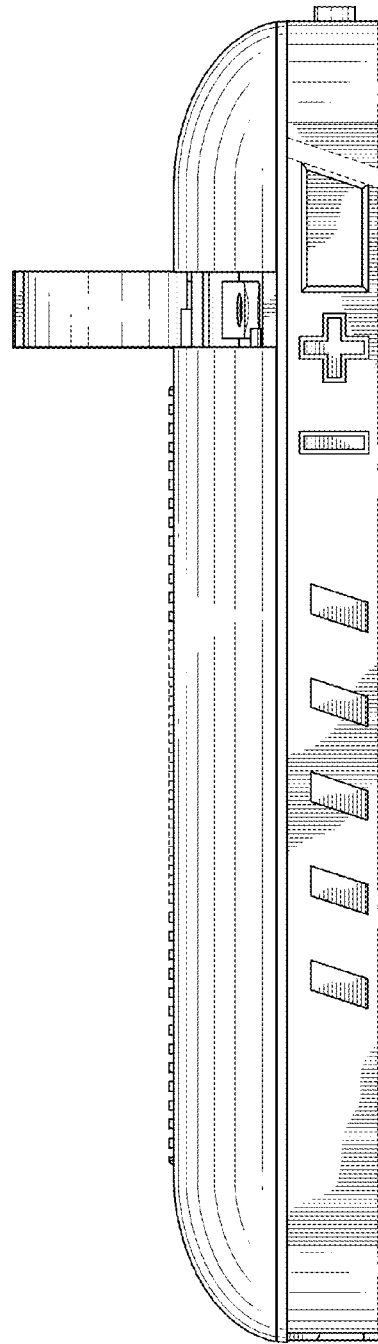


FIG. 37

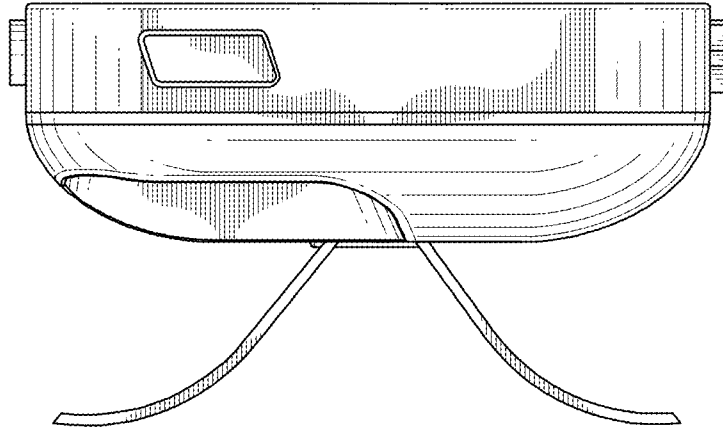


FIG. 38

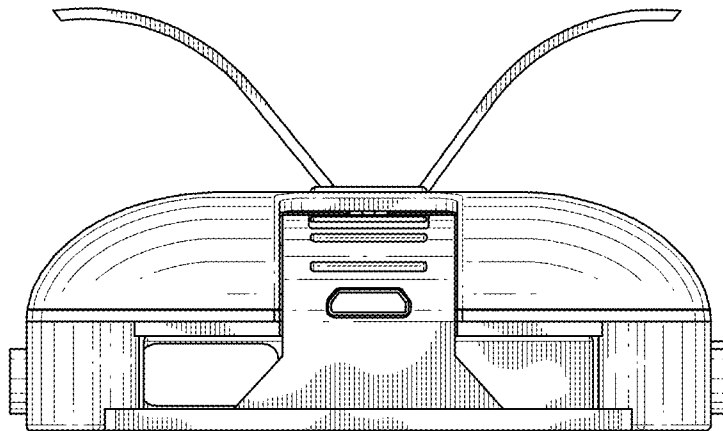


FIG. 39

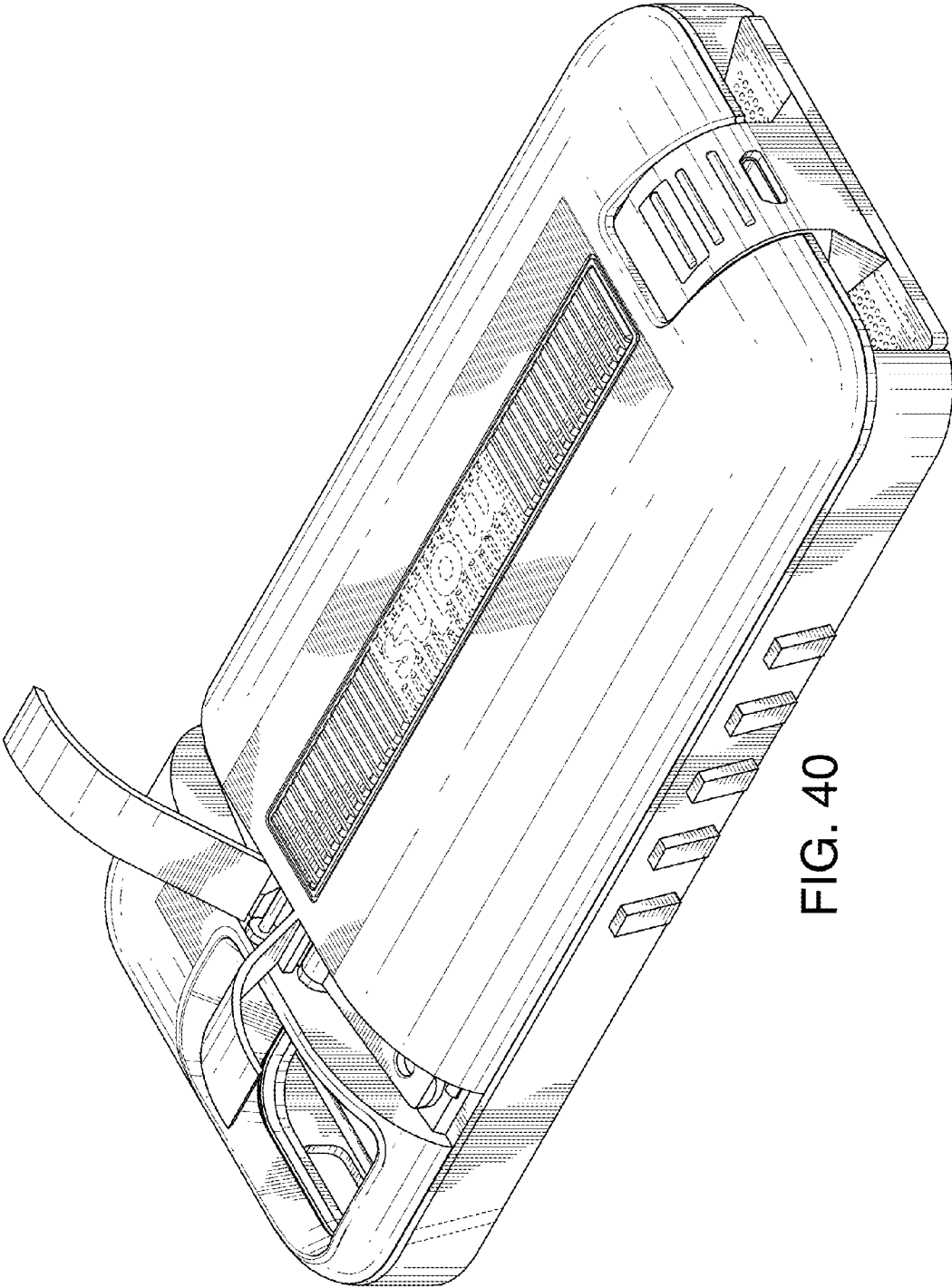


FIG. 40