



US00D764645S

(12) **United States Design Patent**  
**Lee et al.**

(10) **Patent No.:** **US D764,645 S**

(45) **Date of Patent:** **\*\* Aug. 23, 2016**

(54) **AIR CONDITIONER**

(71) Applicant: **Samsung Electronics Co., Ltd.**,  
Suwon-si, Gyeonggi-do (KR)

(72) Inventors: **Dae Kyun Lee**, Suwon-si (KR); **Jin Sook Park**, Uiwang-si (KR); **Hee Jae Jeong**, Seoul (KR)

(73) Assignee: **SAMSUNG ELECTRONICS CO., LTD.** (KR)

(\*\*) Term: **14 Years**

(21) Appl. No.: **29/506,609**

(22) Filed: **Oct. 17, 2014**

(30) **Foreign Application Priority Data**

Apr. 21, 2014 (KR) ..... 30-2014-0020121

(51) **LOC (10) Cl.** ..... **23-04**

(52) **U.S. Cl.**  
USPC ..... **D23/351**

(58) **Field of Classification Search**

USPC ..... D23/314, 317, 324, 328, 329, 330, 332,  
D23/333, 335, 341, 342, 351, 353, 354, 355,  
D23/356, 359, 364, 365, 370, 385, 386, 388,  
D23/393

CPC ..... F24F 1/00; F24F 1/0007; F24F 1/02;  
F24F 1/08; F24F 1/42; F24F 1/56; F24F 1/60;  
F24F 3/044; F24F 3/048; F24F 3/16; F24F  
7/00; F24F 7/04; F24F 12/001; F24F 12/006

See application file for complete search history.

(56) **References Cited**

U.S. PATENT DOCUMENTS

D531,292	S	*	10/2006	Kim	.....	D23/351
D556,880	S	*	12/2007	Choi	.....	D23/351
D558,318	S	*	12/2007	Choi	.....	D23/351
D571,907	S	*	6/2008	Choi	.....	D23/351
D584,806	S	*	1/2009	Oh	.....	D23/351
D605,267	S	*	12/2009	Nakamura	.....	D23/351
D613,842	S	*	4/2010	Yamashita	.....	D23/351
D621,018	S	*	8/2010	Nagahori	.....	D23/351
D621,920	S	*	8/2010	Yamana	.....	D23/351
D680,634	S	*	4/2013	Tsuji	.....	D23/351
D683,004	S	*	5/2013	Chouji	.....	D23/351
D683,832	S	*	6/2013	Satou	.....	D23/351

\* cited by examiner

*Primary Examiner* — George D Kirschbaum

*Assistant Examiner* — Natasha Vujcic

(74) *Attorney, Agent, or Firm* — Cantor Colburn LLP

(57) **CLAIM**

We claim, the ornamental design for air conditioner, as shown and described.

**DESCRIPTION**

FIG. 1 is the front perspective view of air conditioner showing our new design;

FIG. 2 is the front view thereof;

FIG. 3 is the rear view thereof;

FIG. 4 is the side view thereof;

FIG. 5 is the side view thereof;

FIG. 6 is the side plan view thereof; and,

FIG. 7 is the side plan view thereof.

The broken lines in the drawings illustrate portions of the air conditioner which form no part of the claimed design.

**1 Claim, 7 Drawing Sheets**

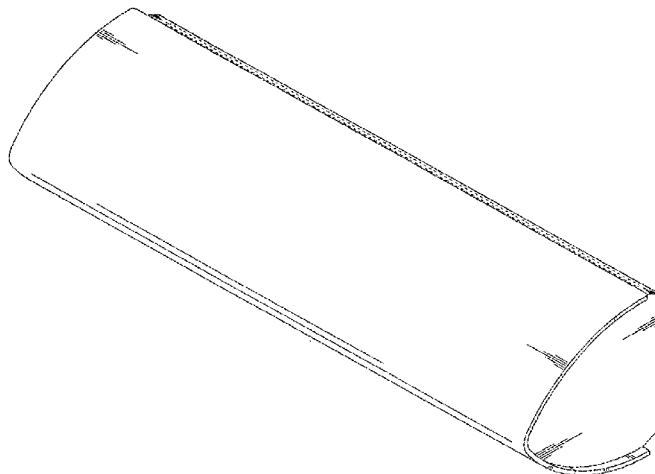
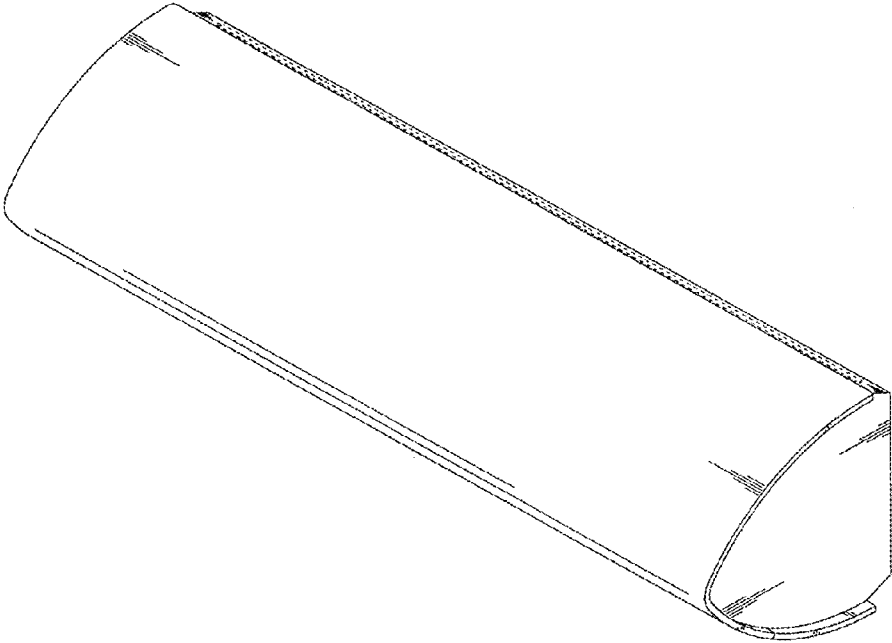


Fig. 1



**Fig. 2**

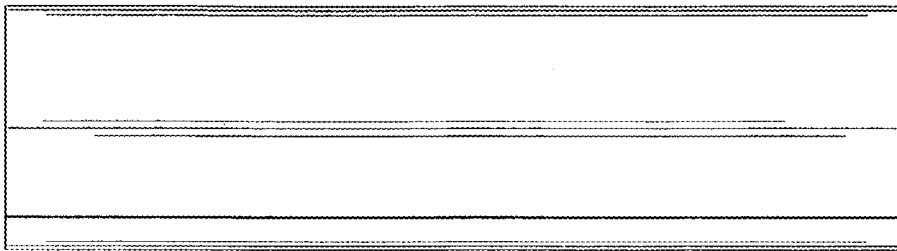


Fig. 3

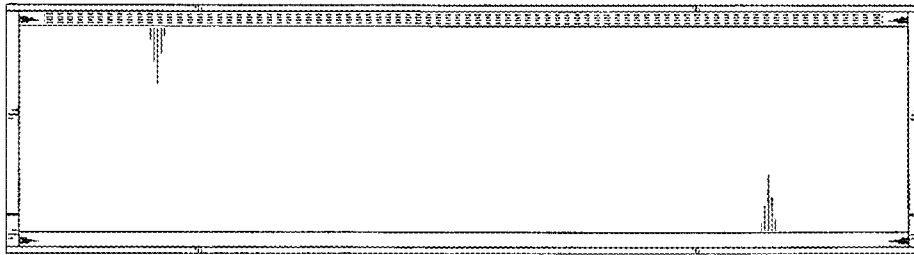
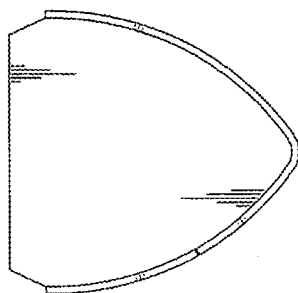


Fig. 4



**Fig. 5**

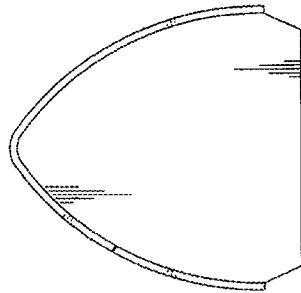


Fig. 6

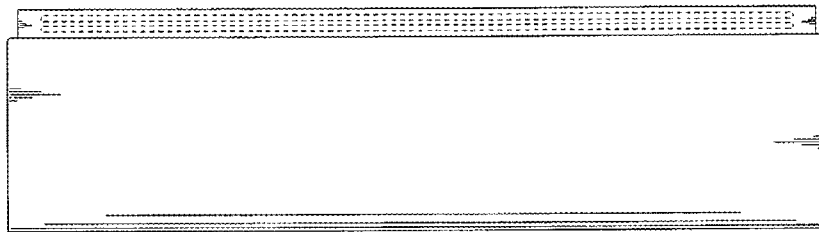


Fig. 7

