

(19) World Intellectual Property Organization
International Bureau



(43) International Publication Date
18 October 2007 (18.10.2007)

PCT

(10) International Publication Number
WO 2007/118049 A3

(51) International Patent Classification:
A61N 5/00 (2006.01)

(21) International Application Number:
PCT/US2007/065775

(22) International Filing Date: 2 April 2007 (02.04.2007)

(25) Filing Language: English

(26) Publication Language: English

(30) Priority Data:
60/790,068 7 April 2006 (07.04.2006) US
11/694,105 30 March 2007 (30.03.2007) US

(71) Applicant (for all designated States except US):
BIO-RAD LABORATORIES, INC. [US/US]; 1000
Alfred Nobel Drive, Hercules, California 94547 (US).

(72) Inventors; and

(75) Inventors/Applicants (for US only): **CHU, Daniel, Y.**
[US/US]; 310 North Wildwood, Hercules, California
94547 (US). **PATT, Paul, J.** [US/US]; 184 Silver Pine
Lane, Blackhawk, California 94506 (US).

(74) Agents: **HEINES, M. Henry** et al.; Townsend and
Townsend and Crew LLP, Two Embarcadero Center, 8th
Floor, San Francisco, CA 94111 (US).

(81) Designated States (unless otherwise indicated, for every kind of national protection available): AE, AG, AL, AM, AT, AU, AZ, BA, BB, BG, BH, BR, BW, BY, BZ, CA, CH, CN, CO, CR, CU, CZ, DE, DK, DM, DZ, EC, EE, EG, ES, FI, GB, GD, GE, GH, GM, GT, HN, HR, HU, ID, IL, IN, IS, JP, KE, KG, KM, KN, KP, KR, KZ, LA, LC, LK, LR, LS, LT, LU, LY, MA, MD, MG, MK, MN, MW, MX, MY, MZ, NA, NG, NI, NO, NZ, OM, PG, PH, PL, PT, RO, RS, RU, SC, SD, SE, SG, SK, SL, SM, SV, SY, TJ, TM, TN, TR, TT, TZ, UA, UG, US, UZ, VC, VN, ZA, ZM, ZW.

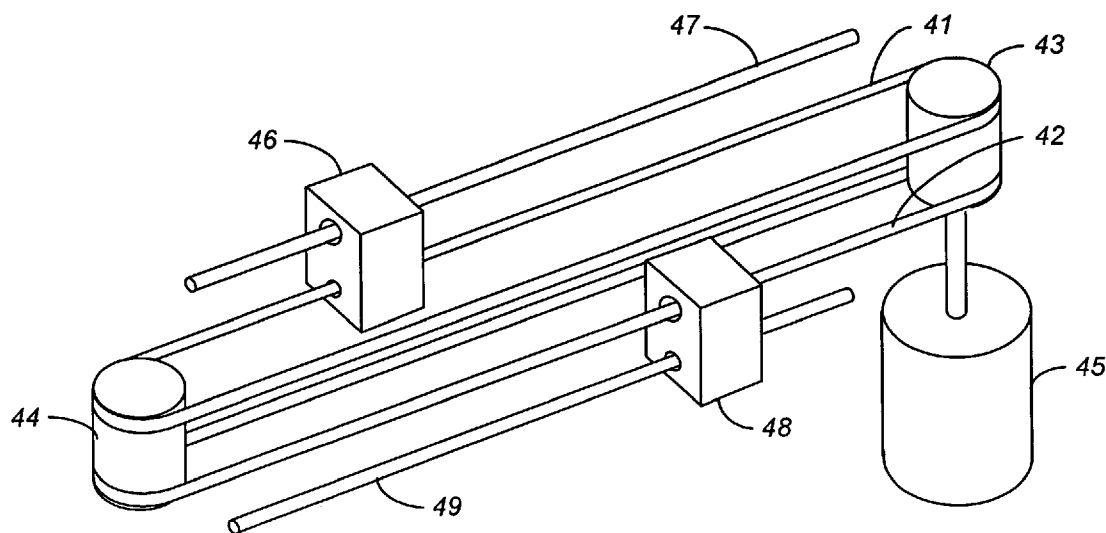
(84) Designated States (unless otherwise indicated, for every kind of regional protection available): ARIPO (BW, GH, GM, KE, LS, MW, MZ, NA, SD, SL, SZ, TZ, UG, ZM, ZW), Eurasian (AM, AZ, BY, KG, KZ, MD, RU, TJ, TM), European (AT, BE, BG, CH, CY, CZ, DE, DK, EE, ES, FI, FR, GB, GR, HU, IE, IS, IT, LT, LU, LV, MC, MT, NL, PL, PT, RO, SE, SI, SK, TR), OAPI (BF, BJ, CF, CG, CI, CM, GA, GN, GQ, GW, ML, MR, NE, SN, TD, TG).

Published:

- with international search report
- before the expiration of the time limit for amending the claims and to be republished in the event of receipt of amendments

(88) Date of publication of the international search report:
9 October 2008

(54) Title: BALANCING MEANS FOR HIGH-SPEED SCANNING



(57) Abstract: Translational motion of a scanning head relative to a planar target, or vice versa, is achieved by a belt and pulley system with a counterweight that is also driven by a belt and pulley system at the same speed but in the opposite direction as the scanning head. The components and belt and pulley system are oriented such that all moving components remain on one side of the target and remain so during their entire range of movement.

WO 2007/118049 A3

INTERNATIONAL SEARCH REPORT

International application No.

PCT/US07/65775

A. CLASSIFICATION OF SUBJECT MATTER
 IPC: **G 01M 19/00**

USPC: 73/865.8
 According to International Patent Classification (IPC) or to both national classification and IPC

B. FIELDS SEARCHED

Minimum documentation searched (classification system followed by classification symbols)
 U.S. : 73/ 865.8, 618-626, 633, 634, 640, 641; 324/ 229-231, 261; 356/ 629, 639, 640; 250/ 390.02; 209/ 522-529

Documentation searched other than minimum documentation to the extent that such documents are included in the fields searched

Electronic data base consulted during the international search (name of data base and, where practicable, search terms used)
 EAST

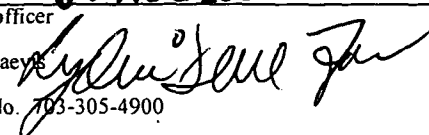
C. DOCUMENTS CONSIDERED TO BE RELEVANT

Category *	Citation of document, with indication, where appropriate, of the relevant passages	Relevant to claim No.
X	US 4,091,297 A (HOUNSFIELD) 23 May 1978 (23.05.1978), see Figure 2.	12,13,15,18
---		-----
Y		1,2,5,6,8
A	US 5,501,114 A (OKAMOTO et al) 26 March 1996 (23.03.1996), see Figure 7.	1-21

Further documents are listed in the continuation of Box C. See patent family annex.

* Special categories of cited documents:	
"A" document defining the general state of the art which is not considered to be of particular relevance	"T" later document published after the international filing date or priority date and not in conflict with the application but cited to understand the principle or theory underlying the invention
"E" earlier application or patent published on or after the international filing date	"X" document of particular relevance; the claimed invention cannot be considered novel or cannot be considered to involve an inventive step when the document is taken alone
"L" document which may throw doubts on priority claim(s) or which is cited to establish the publication date of another citation or other special reason (as specified)	"Y" document of particular relevance; the claimed invention cannot be considered to involve an inventive step when the document is combined with one or more other such documents, such combination being obvious to a person skilled in the art
"O" document referring to an oral disclosure, use, exhibition or other means	"&" document member of the same patent family
"P" document published prior to the international filing date but later than the priority date claimed	

Date of the actual completion of the international search 14 July 2008 (14.07.2008)	Date of mailing of the international search report 07 AUG 2008
--	--

Name and mailing address of the ISA/US Mail Stop PCT, Attn: ISA/US Commissioner for Patents P.O. Box 1450 Alexandria, Virginia 22313-1450 Facsimile No. (571) 273-3201	Authorized officer Robert R. Raey  Telephone No. 703-305-4900
---	---