

(19) World Intellectual Property Organization
International Bureau



(43) International Publication Date
29 March 2007 (29.03.2007)

PCT

(10) International Publication Number
WO 2007/035223 A3

(51) International Patent Classification:
B65D 25/24 (2006.01) *H02G 3/14* (2006.01)
G01F 15/18 (2006.01)

GB, GD, GE, GH, GM, HN, HR, HU, ID, IL, IN, IS, JP, KE, KG, KM, KN, KP, KR, KZ, LA, LC, LK, LR, LS, LT, LU, LV, LY, MA, MD, MG, MK, MN, MW, MX, MY, MZ, NA, NG, NI, NO, NZ, OM, PG, PH, PL, PT, RO, RS, RU, SC, SD, SE, SG, SK, SL, SM, SV, SY, TJ, TM, TN, TR, TT, TZ, UA, UG, US, UZ, VC, VN, ZA, ZM, ZW.

(21) International Application Number:
PCT/US2006/033177

(22) International Filing Date: 23 August 2006 (23.08.2006)

(84) Designated States (unless otherwise indicated, for every kind of regional protection available): ARIPO (BW, GH, GM, KE, LS, MW, MZ, NA, SD, SL, SZ, TZ, UG, ZM, ZW), Eurasian (AM, AZ, BY, KG, KZ, MD, RU, TJ, TM), European (AT, BE, BG, CH, CY, CZ, DE, DK, EE, ES, FI, FR, GB, GR, HU, IE, IS, IT, LT, LU, LV, MC, NL, PL, PT, RO, SE, SI, SK, TR), OAPI (BF, BJ, CF, CG, CI, CM, GA, GN, GQ, GW, ML, MR, NE, SN, TD, TG).

(25) Filing Language: English

(26) Publication Language: English

(30) Priority Data:
11/232,386 20 September 2005 (20.09.2005) US

(71) Applicant and
(72) Inventor: KEENEY, George, W. [US/US]; 6115 N.E. 195th Place, Kenmore, WA 98028 (US).

Published:
— with international search report
— before the expiration of the time limit for amending the claims and to be republished in the event of receipt of amendments

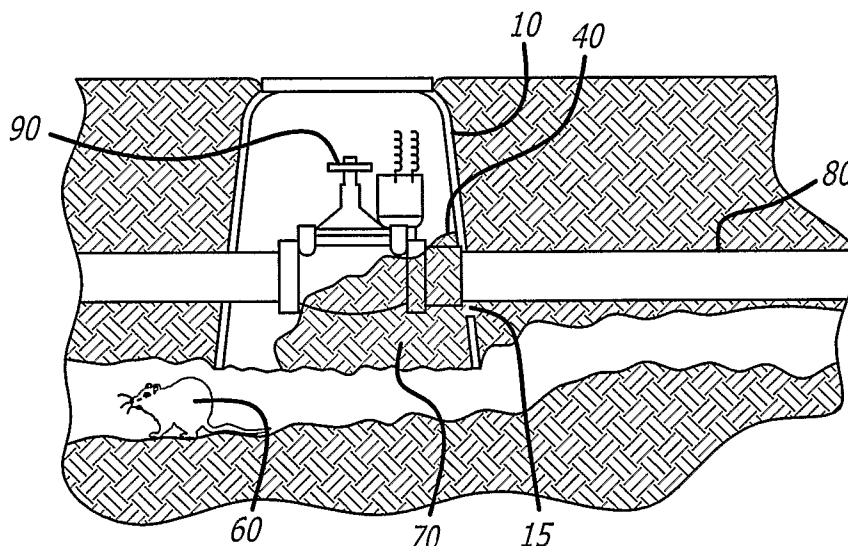
(74) Agents: WINGER, Rachal, C. et al.; PRESTON GATES & ELLIS LLP, 925 Fourth Avenue, Suite 2900, Seattle, WA 98104-1158 (US).

(88) Date of publication of the international search report:
25 October 2007

(81) Designated States (unless otherwise indicated, for every kind of national protection available): AE, AG, AL, AM, AT, AU, AZ, BA, BB, BG, BR, BW, BY, BZ, CA, CH, CN, CO, CR, CU, CZ, DE, DK, DM, DZ, EC, EE, EG, ES, FI,

For two-letter codes and other abbreviations, refer to the "Guidance Notes on Codes and Abbreviations" appearing at the beginning of each regular issue of the PCT Gazette.

(54) Title: METHODS AND SYSTEMS TO MAINTAIN ACCESSIBILITY AND INTEGRITY OF EQUIPMENT CONTAINED IN UNDERGROUND HOUSINGS



(57) Abstract: Disclosed herein are methods, devices and systems to maintain the accessibility and integrity of equipment contained in underground housings. The methods, devices and systems and methods of the present invention maintain the accessibility and integrity of equipment contained in underground housings by providing at least one barrier that prevents burrowing animals from off-loading displaced ground dirt or other debris into the space created by the underground housing.

WO 2007/035223 A3

INTERNATIONAL SEARCH REPORT

International application No.

PCT/US06/33177

A. CLASSIFICATION OF SUBJECT MATTER IPC(8) - B65D 25/24; G01F 15/18; H02G 3/14 (2007.01) USPC - 220/3.8 According to International Patent Classification (IPC) or to both national classification and IPC		
B. FIELDS SEARCHED		
Minimum documentation searched (classification system followed by classification symbols) IPC(8) - B65D 25/24; G01F 15/18; H02G 3/14 (2007.01) USPC - 220/3.8, 241; 174/66; 52/19, 20, 128, 169.6; 73/201, 273; 285/30		
Documentation searched other than minimum documentation to the extent that such documents are included in the fields searched		
Electronic data base consulted during the international search (name of data base and, where practicable, search terms used) USPTO EAST System (US, USPG-PUB, EPO, DERWENT), MicroPatent, PatBase		
C. DOCUMENTS CONSIDERED TO BE RELEVANT		
Category*	Citation of document, with indication, where appropriate, of the relevant passages	Relevant to claim No.
X	US 5,731,544 A (BURCK et al) 24 March 1998 (24.03.1998) entire document	1-18
A	US 3,913,400 A (FLOREN) 21 October 1975 (21.10.1975) entire document	1-18
A	US 4,669,305 A (RIVERO-OLMEDO) 02 June 1987 (02.06.1987) entire document	1-18
<input type="checkbox"/> Further documents are listed in the continuation of Box C. <input type="checkbox"/>		
* Special categories of cited documents:	"T" later document published after the international filing date or priority date and not in conflict with the application but cited to understand the principle or theory underlying the invention	
"A" document defining the general state of the art which is not considered to be of particular relevance	"X" document of particular relevance; the claimed invention cannot be considered novel or cannot be considered to involve an inventive step when the document is taken alone	
"E" earlier application or patent but published on or after the international filing date	"Y" document of particular relevance; the claimed invention cannot be considered to involve an inventive step when the document is combined with one or more other such documents, such combination being obvious to a person skilled in the art	
"L" document which may throw doubts on priority claim(s) or which is cited to establish the publication date of another citation or other special reason (as specified)	"&" document member of the same patent family	
"O" document referring to an oral disclosure, use, exhibition or other means		
"P" document published prior to the international filing date but later than the priority date claimed		
Date of the actual completion of the international search 14 May 2007	Date of mailing of the international search report 31 AUG 2007	
Name and mailing address of the ISA/US Mail Stop PCT, Attn: ISA/US, Commissioner for Patents P.O. Box 1450, Alexandria, Virginia 22313-1450 Facsimile No. 571-273-3201	Authorized officer: Blaine R. Copenheaver PCT Helpdesk: 571-272-4300 PCT OSP: 571-272-7774	