



US00D764002S

(12) **United States Design Patent**  
**Cavalcante**

(10) **Patent No.:** **US D764,002 S**

(45) **Date of Patent:** **\*\* Aug. 16, 2016**

(54) **POOL CUE HOLDER**

(71) Applicant: **Milo Cavalcante**, Norcross, GA (US)

(72) Inventor: **Milo Cavalcante**, Norcross, GA (US)

(\*\*) Term: **14 Years**

(21) Appl. No.: **29/517,759**

(22) Filed: **Feb. 16, 2015**

(51) **LOC (10) Cl.** ..... **21-01**

(52) **U.S. Cl.**

USPC ..... **D21/782**

(58) **Field of Classification Search**

USPC ..... D21/782; 473/15, 19, 21, 37, 42, 44,  
473/50, 45, 43; 211/68, 60.1, 63, 89, 1,  
211/70.6, 85, 71.01, 84, 106, 2, 4, 41, 15;  
248/209.1, 312; 206/315.1, 315.7, 317  
CPC ..... A47F 7/00; A63B 55/00; A45C 13/38  
See application file for complete search history.

(56) **References Cited**

**U.S. PATENT DOCUMENTS**

|               |         |              |            |
|---------------|---------|--------------|------------|
| 735,832 A     | 8/1903  | Sirrine      |            |
| 3,713,611 A   | 1/1973  | Voigt        |            |
| D293,700 S    | 1/1988  | Rosewarne    |            |
| 4,915,332 A * | 4/1990  | Ouellette    | F16M 11/20 |
|               |         |              | 211/172    |
| 5,657,882 A * | 8/1997  | Johnson      | A47B 1/005 |
|               |         |              | 211/68     |
| 5,685,517 A * | 11/1997 | Salibra      | A01K 97/10 |
|               |         |              | 135/16     |
| D387,114 S *  | 12/1997 | Bliss        | D21/726    |
| D396,895 S    | 8/1998  | Berry        |            |
| D423,620 S    | 4/2000  | Cooper       |            |
| 6,092,675 A * | 7/2000  | Ramirez, Jr. | A63D 15/10 |
|               |         |              | 211/60.1   |

|                 |         |           |             |
|-----------------|---------|-----------|-------------|
| D472,090 S *    | 3/2003  | Wing      | D6/552      |
| 6,868,641 B2 *  | 3/2005  | Conner    | E01F 9/0182 |
|                 |         |           | 52/165      |
| 6,945,413 B1 *  | 9/2005  | Meyer     | A47F 7/0028 |
|                 |         |           | 211/68      |
| D534,610 S      | 1/2007  | Weinstein |             |
| D537,133 S      | 2/2007  | Chan      |             |
| 7,195,222 B2    | 3/2007  | Dewnt     |             |
| 7,353,943 B2 *  | 4/2008  | Evans     | A63D 15/10  |
|                 |         |           | 190/102     |
| 7,559,428 B2 *  | 7/2009  | Matzick   | F41A 23/18  |
|                 |         |           | 211/64      |
| 7,717,263 B2 *  | 5/2010  | Evans     | A63D 15/10  |
|                 |         |           | 190/108     |
| D627,412 S      | 11/2010 | Bruce     |             |
| 2009/0108167 A1 | 4/2009  | White     |             |

\* cited by examiner

*Primary Examiner* — Prabhakar Deshmukh

(74) *Attorney, Agent, or Firm* — QuickPatents, LLC; Kevin Prince

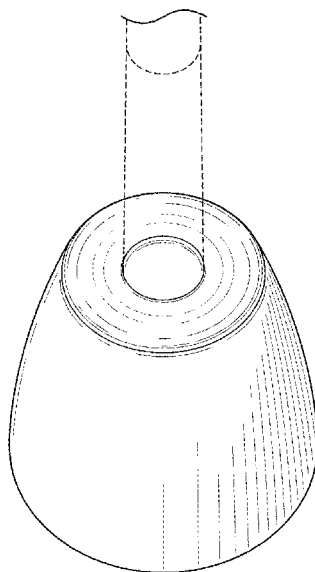
(57) **CLAIM**

I claim the ornamental design for a pool cue holder, as shown and described.

**DESCRIPTION**

FIG. 1 is a perspective view of a pool cue holder showing my new design;  
FIG. 2 is a front elevational view thereof, the rear, left and right elevational views are mirror image thereof;  
FIG. 3 is a top plan view thereof; and,  
FIG. 4 is a bottom plan view thereof.  
The broken lines indicate environmental matter and form no part of the claimed design.

**1 Claim, 2 Drawing Sheets**



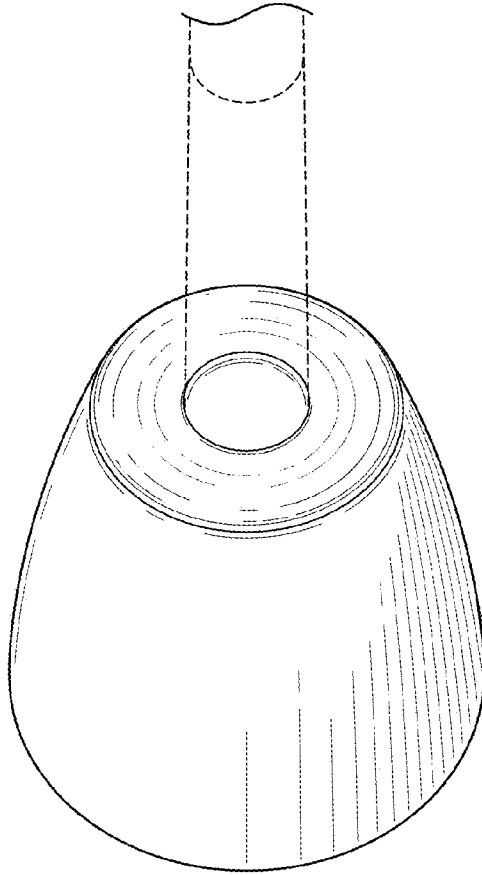


FIG. 1

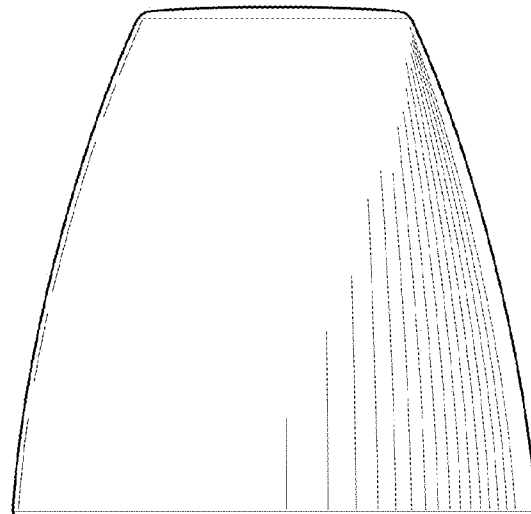


FIG. 2

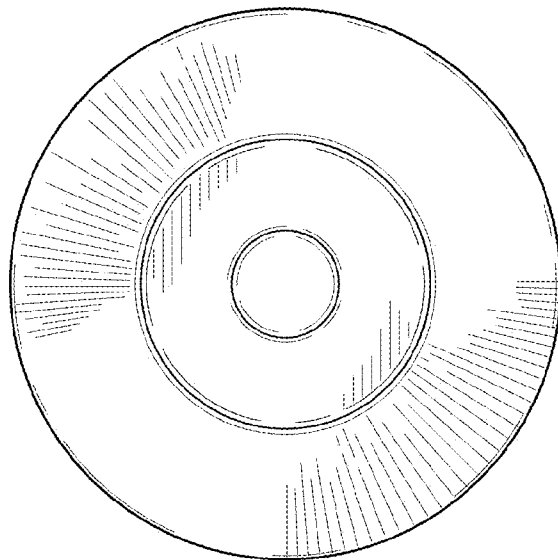


FIG. 3

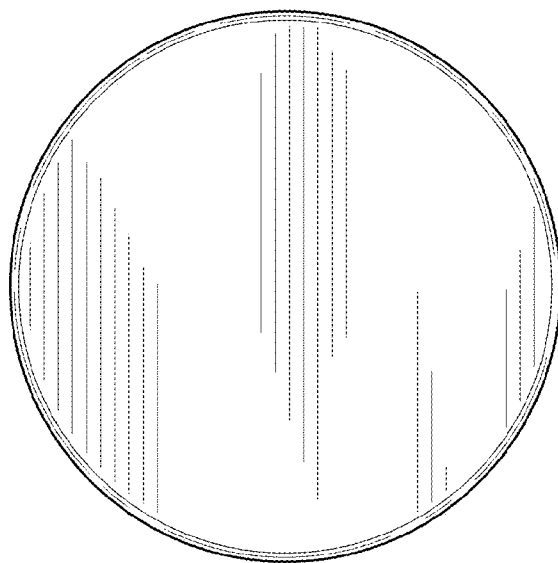


FIG. 4