



US00D890066S

(12) **United States Design Patent**
Metros et al.

(10) **Patent No.:** **US D890,066 S**

(45) **Date of Patent:** **** Jul. 14, 2020**

(54) **VEHICLE WHEEL**

(71) Applicant: **Ford Global Technologies, LLC**,
Dearborn, MI (US)

(72) Inventors: **Craig Metros**, Bloomfield, MI (US);
George Bucher, Dearborn, MI (US);
James Grake, Beverly Hills, MI (US);
Adam Riccobelli, Ferndale, MI (US)

(73) Assignee: **Ford Global Technologies, LLC**,
Dearborn, MI (US)

(**) Term: **15 Years**

(21) Appl. No.: **29/685,411**

(22) Filed: **Mar. 28, 2019**

(51) **LOC (12) Cl.** **12-16**

(52) **U.S. Cl.**
USPC **D12/209**

(58) **Field of Classification Search**

USPC D12/204–213; D21/563
CPC B60B 7/00; B60B 7/02; B60B 7/04; B60B
7/01; B60B 7/06; B60B 3/02; B60B 3/04;
B60B 3/06; B60B 3/10; B60B 1/00;
B60B 1/08; B60B 1/10; B60B 1/12

See application file for complete search history.

(56) **References Cited**

U.S. PATENT DOCUMENTS

D643,356 S 8/2011 Gotschke
D644,587 S 9/2011 Gotschke

D647,449 S	10/2011	Gotschke	
D667,355 S	9/2012	Gotschke	
D667,767 S	9/2012	Gotschke	
D698,297 S *	1/2014	Chung	D12/209
D720,272 S *	12/2014	Rueckheim	D12/209
D733,024 S *	6/2015	Valencia Pollex	D12/209
D761,180 S	7/2016	Bucher et al.	
D761,181 S	7/2016	Bucher et al.	
D773,370 S	12/2016	Bucher et al.	
D773,371 S	12/2016	Bucher et al.	
D778,801 S	2/2017	Bucher et al.	
D788,673 S *	6/2017	Krause	D12/209
D791,039 S *	7/2017	Rueckheim	D12/209
D791,047 S	7/2017	Bucher et al.	
D791,671 S	7/2017	Bucher et al.	
D797,635 S *	9/2017	Rueckheim	D12/209
D847,063 S *	4/2019	Kikuchi	D12/209
D847,068 S *	4/2019	Juergens	D12/209
D847,073 S *	4/2019	Khachatryan	D12/209
D852,704 S *	7/2019	Khachatryan	D12/209
D861,566 S *	10/2019	Kippes	D12/209
D877,026 S *	3/2020	Rosello Visa	D12/209

* cited by examiner

Primary Examiner — Stacia A Cadmus

(74) *Attorney, Agent, or Firm* — Vichit Chea

(57) **CLAIM**

The ornamental design for a vehicle wheel, as shown and described.

DESCRIPTION

FIG. 1 is a front elevational view of a vehicle wheel showing our new design; and, FIG. 2 is a perspective view thereof.

1 Claim, 2 Drawing Sheets

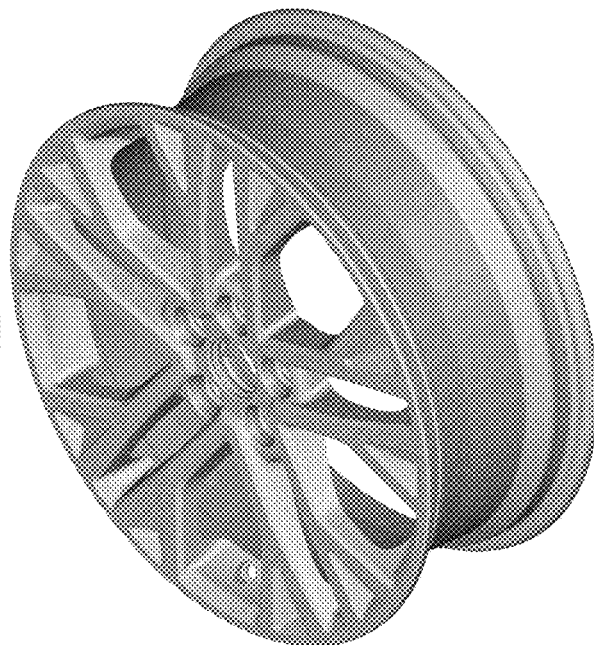
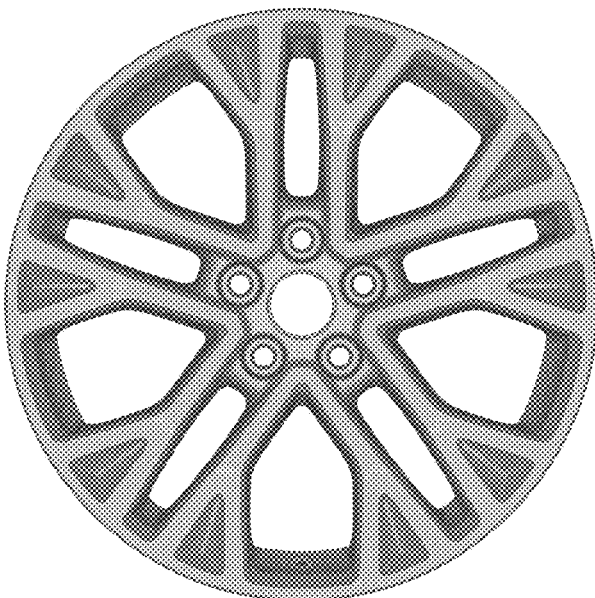




Fig.1

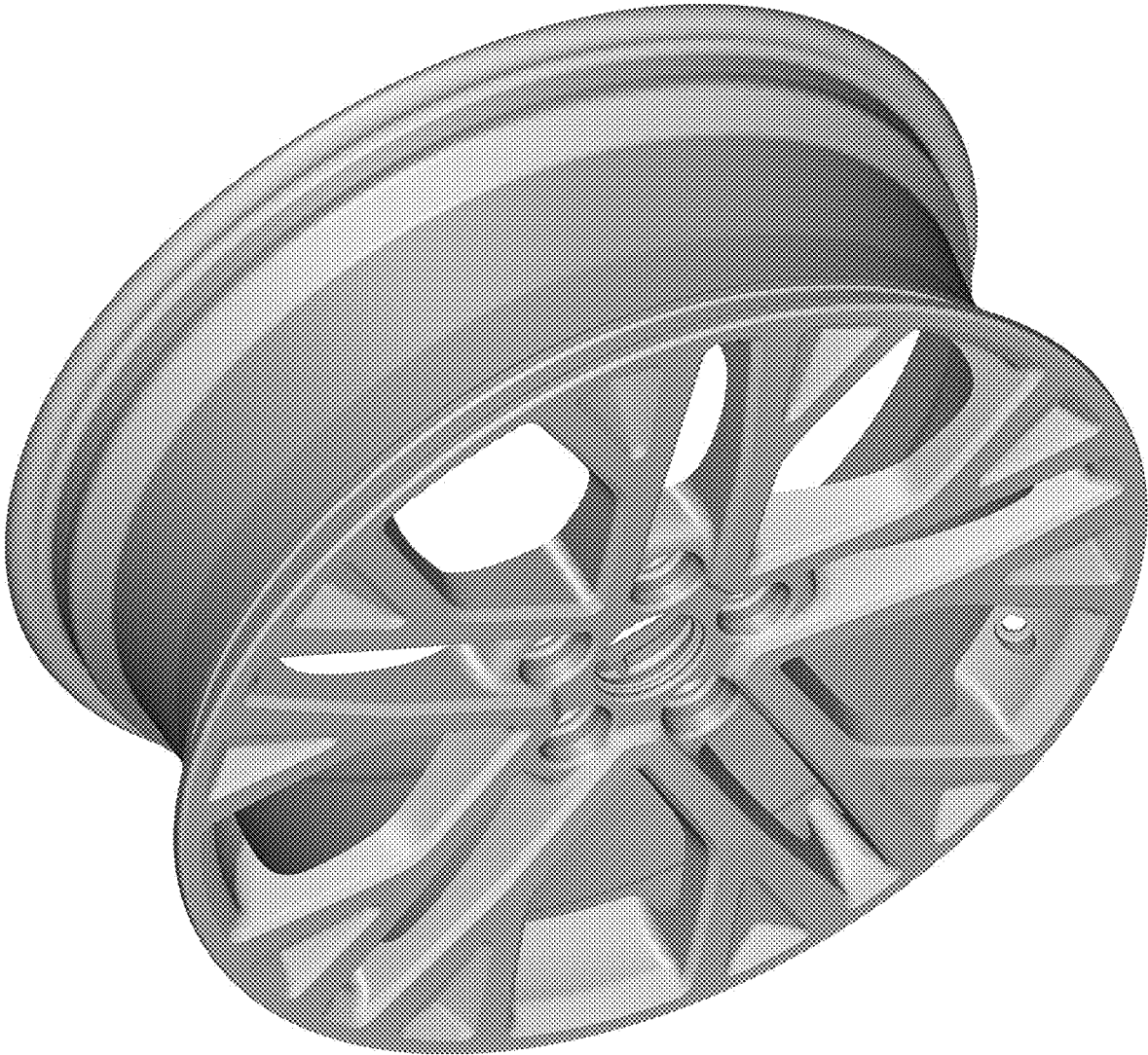


Fig. 2