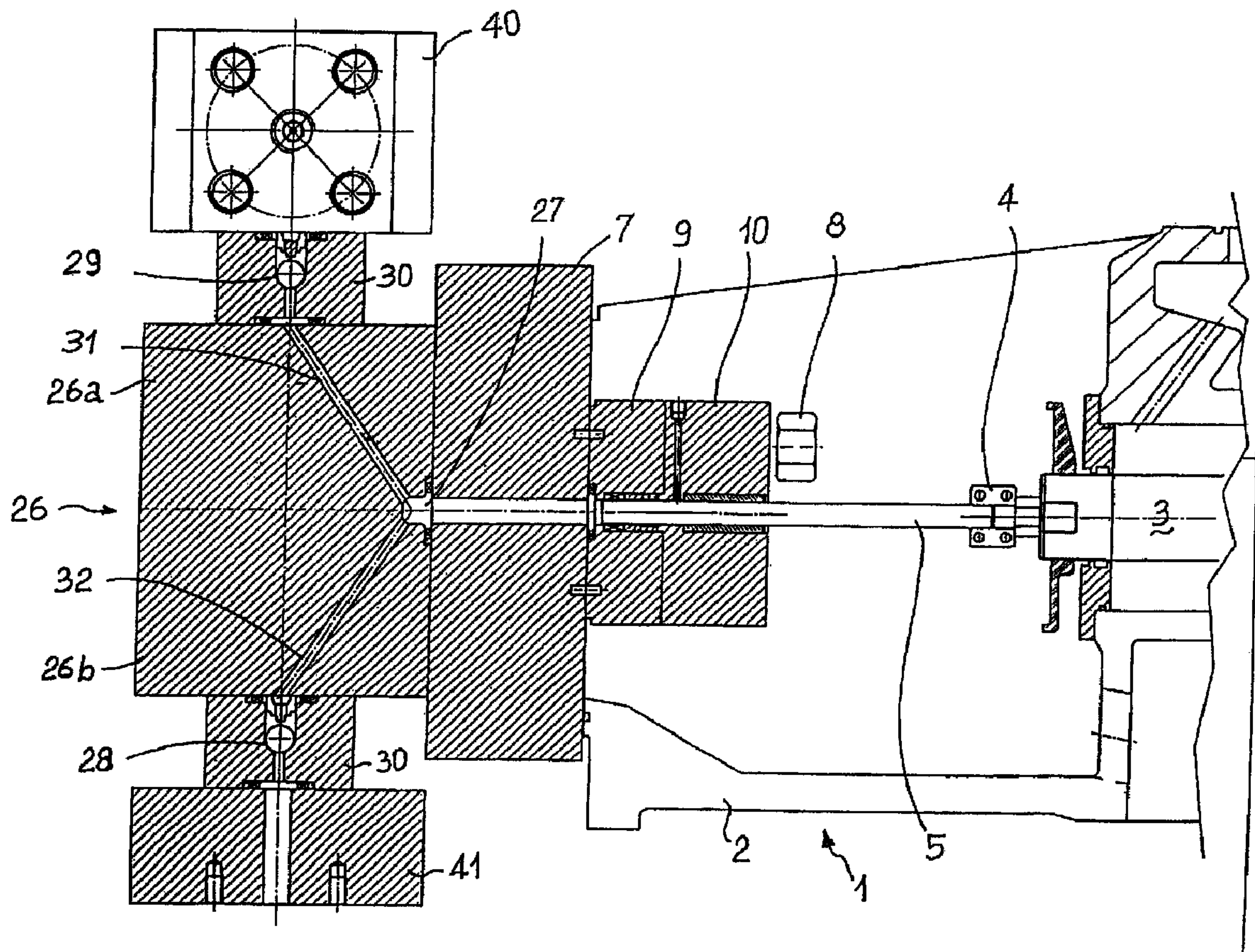




(86) Date de dépôt PCT/PCT Filing Date: 2004/09/01
 (87) Date publication PCT/PCT Publication Date: 2005/10/20
 (45) Date de délivrance/Issue Date: 2009/10/27
 (85) Entrée phase nationale/National Entry: 2006/09/29
 (86) N° demande PCT/PCT Application No.: IB 2004/051643
 (87) N° publication PCT/PCT Publication No.: 2005/097308
 (30) Priorité/Priority: 2004/04/09 (IT PR2004A000031)

(51) Cl.Int./Int.Cl. *B01F 5/00* (2006.01),
F04B 53/16 (2006.01)
 (72) Inventeurs/Inventors:
GRANDI, SIMONE, IT;
GANDINI, MARCO, IT
 (73) Propriétaire/Owner:
GEA NIRO SOAVI S.P.A., IT
 (74) Agent: OYEN WIGGS GREEN & MUTALA LLP

(54) Titre : HOMOGENISEUR POUR TRAITEMENT CONTINU DE FLUIDES SOUS TRES HAUTE PRESSION
 (54) Title: A HOMOGENISER FOR THE CONTINUOUS TREATMENT OF FLUIDS AT VERY HIGH PRESSURE



(57) Abrégé/Abstract:

A homogeniser (1) for the continuous treatment of fluids at very high pressure comprises at least one reciprocating plunger (5) in a compression chamber (6) and a guide chamber (11) from a fluid intake position to a delivery position. Said compression chamber



(57) **Abrégé(suite)/Abstract(continued):**

(6) opens into a manifold (27), inside a block (26) from which a delivery pipe (32) and an intake pipe (31) branch off. A first seal unit (21) is housed in the guide chamber (11), a second seal unit (24) is located close to the intersection between the compression chamber (6) and the guide chamber (11) and a third seal unit (35) is positioned upstream and downstream of each valve (28, 29) and the intersection between the manifold (27) and the compression chamber (6).

(12) INTERNATIONAL APPLICATION PUBLISHED UNDER THE PATENT COOPERATION TREATY (PCT)

(19) World Intellectual Property
Organization
International Bureau



(43) International Publication Date
20 October 2005 (20.10.2005)

PCT

(10) International Publication Number
WO 2005/097308 A1

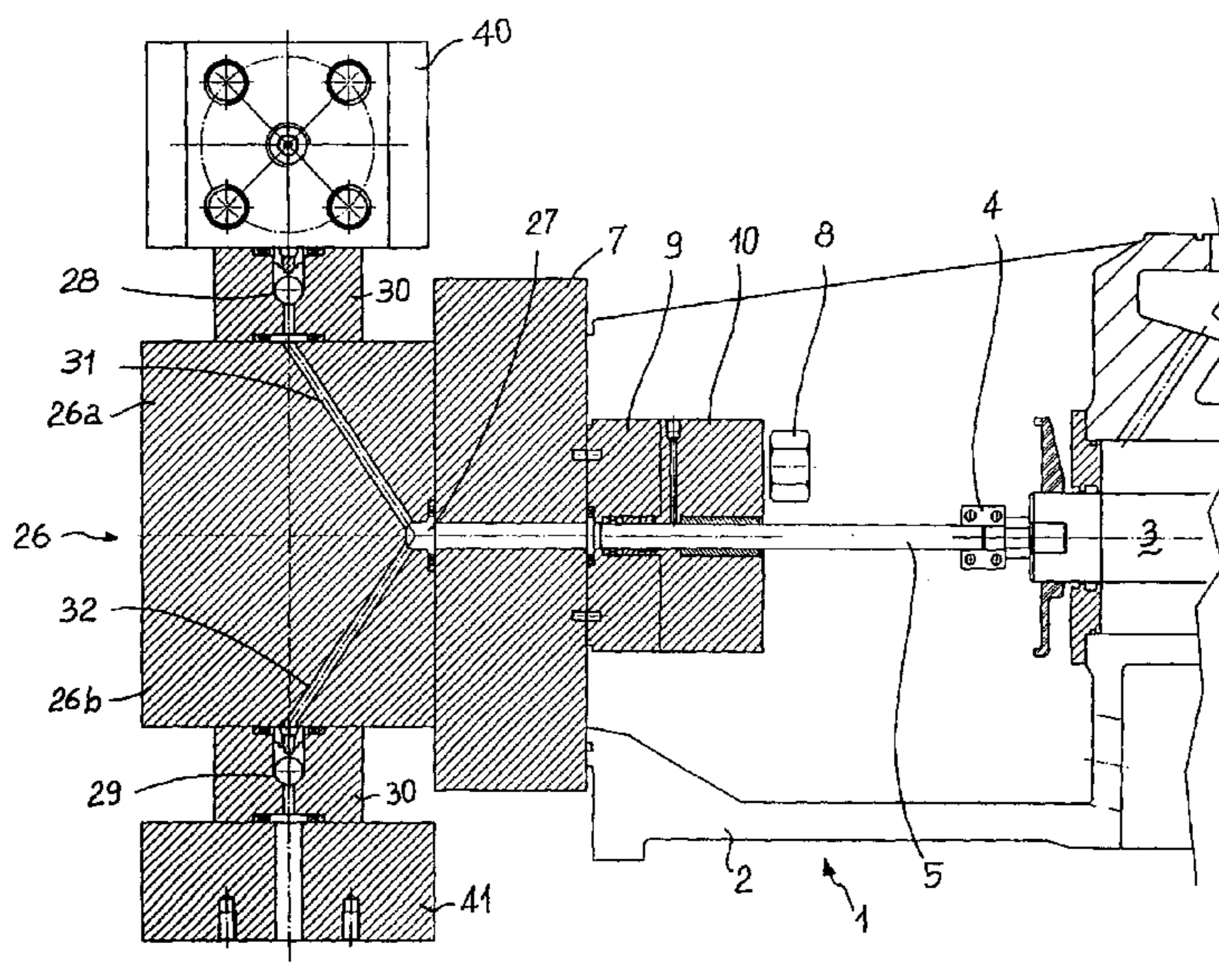
- (51) International Patent Classification⁷: **B01F 5/00**, F04B 53/16
- (74) Agent: **BUGNION S.p.A.**; GOTRA Stefano, Via Garibaldi, 22, I-43100 PARMA (IT).
- (21) International Application Number: PCT/IB2004/051643
- (81) Designated States (*unless otherwise indicated, for every kind of national protection available*): AE, AG, AL, AM, AT, AU, AZ, BA, BB, BG, BR, BW, BY, BZ, CA, CH, CN, CO, CR, CU, CZ, DE, DK, DM, DZ, EC, EE, EG, ES, FI, GB, GD, GE, GH, GM, HR, HU, ID, IL, IN, IS, JP, KE, KG, KP, KR, KZ, LC, LK, LR, LS, LT, LU, LV, MA, MD, MG, MK, MN, MW, MX, MZ, NA, NI, NO, NZ, OM, PG, PH, PL, PT, RO, RU, SC, SD, SE, SG, SK, SL, SY, TJ, TM, TN, TR, TT, TZ, UA, UG, US, UZ, VC, VN, YU, ZA, ZM, ZW.
- (22) International Filing Date: 1 September 2004 (01.09.2004)
- (25) Filing Language: English
- (26) Publication Language: English
- (30) Priority Data: PR2004A000031 9 April 2004 (09.04.2004) IT
- (84) Designated States (*unless otherwise indicated, for every kind of regional protection available*): ARIPO (BW, GH, GM, KE, LS, MW, MZ, NA, SD, SL, SZ, TZ, UG, ZM, ZW), Eurasian (AM, AZ, BY, KG, KZ, MD, RU, TJ, TM), European (AT, BE, BG, CH, CY, CZ, DE, DK, EE, ES, FI, FR, GB, GR, HU, IE, IT, LU, MC, NL, PL, PT, RO, SE, SI, SK, TR), OAPI (BF, BJ, CF, CG, CI, CM, GA, GN, GQ, GW, ML, MR, NE, SN, TD, TG).
- (71) Applicant (*for all designated States except US*): **NIRO-SOAVI S.p.A.** [IT/IT]; Via Mario da Erba Edoari, 29, I-43100 PARMA (IT).
- (71) Applicant and
- (72) Inventor (*for US only*): **GRANDI, Simone** [IT/IT]; Via Campi, 10, I-43038 SALA BAGANZA (PARMA) (IT).
- (72) Inventor; and
- (75) Inventor/Applicant (*for US only*): **GANDINI, Marco** [IT/IT]; Via Berzioli, 2, I-43100 PARMA (IT).

Declarations under Rule 4.17:

- *as to applicant's entitlement to apply for and be granted a patent (Rule 4.17(ii)) for the following designations AE, AG, AL, AM, AT, AU, AZ, BA, BB, BG, BR, BW, BY, BZ,*

[Continued on next page]

(54) Title: A HOMOGENISER FOR THE CONTINUOUS TREATMENT OF FLUIDS AT VERY HIGH PRESSURE.



(57) Abstract: A homogeniser (1) for the continuous treatment of fluids at very high pressure comprises at least one reciprocating plunger (5) in a compression chamber (6) and a guide chamber (11) from a fluid intake position to a delivery position. Said compression chamber (6) opens into a manifold (27), inside a block (26) from which a delivery pipe (32) and an intake pipe (31) branch off. A first seal unit (21) is housed in the guide chamber (11), a second seal unit (24) is located close to the intersection between the compression chamber (6) and the guide chamber (11) and a third seal unit (35) is positioned upstream and downstream of each valve (28, 29) and the intersection between the manifold (27) and the compression chamber (6).

WO 2005/097308 A1

WO 2005/097308 A1

CA, CH, CN, CO, CR, CU, CZ, DE, DK, DM, DZ, EC, EE, EG, ES, FI, GB, GD, GE, GH, GM, HR, HU, ID, IL, IN, IS, JP, KE, KG, KP, KR, KZ, LC, LK, LR, LS, LT, LU, LV, MA, MD, MG, MK, MN, MW, MX, MZ, NA, NI, NO, NZ, OM, PG, PH, PL, PT, RO, RU, SC, SD, SE, SG, SK, SL, SY, TJ, TM, TN, TR, TT, TZ, UA, UG, UZ, VC, VN, YU, ZA, ZM, ZW, ARIPO patent (BW, GH, GM, KE, LS, MW, MZ, NA, SD, SL, SZ, TZ, UG, ZM, ZW), Eurasian patent (AM, AZ, BY, KG, KZ, MD, RU, TJ, TM), European patent (AT, BE, BG, CH, CY, CZ, DE, DK, EE, ES, FI, FR, GB, GR, HU, IE, IT, LU, MC, NL, PL, PT, RO, SE, SI, SK, TR), OAPI patent (BF, BJ, CF, CG, CI, CM, GA, GN, GQ, GW, ML, MR, NE, SN, TD, TG)

- as to the applicant's entitlement to claim the priority of the earlier application (Rule 4.17(iii)) for the following designation US
- as to the applicant's entitlement to claim the priority of the earlier application (Rule 4.17(iii)) for the following designation US
- of inventorship (Rule 4.17(iv)) for US only

Published:

- with international search report

For two-letter codes and other abbreviations, refer to the "Guidance Notes on Codes and Abbreviations" appearing at the beginning of each regular issue of the PCT Gazette.

**A HOMOGENISER FOR THE CONTINUOUS TREATMENT OF FLUIDS AT
VERY HIGH PRESSURE.**

TECHNICAL FIELD AND BACKGROUND ART.

5 The present invention relates to a homogeniser for the
continuous treatment of fluids at very high pressure.

Said apparatus, consisting of a plunger pump and of one or
more homogenising valves installed in series on the
delivery manifold, is applied in sectors such as the food,
10 pharmaceuticals, cosmetics, and chemical industries and is
used more generally for cell breakage treatment of fluids,
that is to say for biological products such as vaccines,
therapeutic substances and enzymatic and diagnostic
preparations.

15 The objective of all cell breakage techniques, using
predetermined apparatuses and/or chemical substances, is
to achieve productive cell disaggregation, that is to say
which destroys any polluting cells, and at the same time
is able to liberate any subcellular substances useful for
20 subsequent production processes.

The use of a high pressure homogeniser, which is normal in
mechanical cell breakage techniques, takes advantage of
the forced passage from a high pressure zone to a low
pressure zone, causing said controlled cellular
25 disaggregation of the fluid treated, using an adjustable
valve, commonly known as a homogenising valve, applied on
the plunger pump delivery side to generate the pressure

required.

PR99A000045 by the same Applicant describes a pump for the treatment of fluids at high pressure comprising a reciprocating plunger in a compression chamber from a fluid intake position to a fluid delivery position; a block for each plunger, connecting the pumping chamber to the intake and delivery valves housed in lateral containers fixed to the block. Each block comprises two half-parts or plates clamped together and having internal grooves to house an internal manifold which connects the pumping chamber and the intake and delivery valves.

The prior art comprises various different types of pumps and therefore homogenisers able to operate at pressures which range from around 500 bar to a maximum of 1500 bar. Studies of said apparatuses have focused on a gradual increase in the operating pressure.

Over the years such homogenisers have evolved to provide a continuous increase in the operating pressures, focusing on both the search for a type and configuration of internal pipes eliminating all variations in cross-section, intersection between holes and internal edges, and on the search for special materials characterised by greater resistance to the stresses to which the pipes and in particular their intersections are subjected.

Initial studies allowed the development of increasingly high operating pressures, up to a maximum of 1500 bar, but research on the quality of the materials was abandoned on

account of the impact that they would have had on the final cost of the machine, limiting its commercial scope. By means of computational fluid simulations followed by laboratory tests, the Applicant analysed the assembly consisting of the compression chamber, intake pipe and delivery pipe, the pump and the homogenising valve which together form a high pressure homogeniser.

The Applicant's studies and experiments allowed the identification of the geometrical set up and the technical measures to be applied to the type of machine previously described in order to obtain a prototype able to operate at pressure values that are almost tripled.

DISCLOSURE OF THE INVENTIONE.

The aim of the present invention is to provide a homogeniser with a configuration which allows it to reach pressures of up to 4000 bar, the materials used to construct the part subject to the processed fluid pressure being the same.

Another aim of the present invention is to provide a homogeniser able to operate at up to 4000 bar without increasing its production costs for the maker and maintenance costs for the end user.

Said aims are fulfilled by the machine disclosed, as described in the claims herein.

In particular, the homogeniser consists of a pump part comprising at least one reciprocating plunger in a compression chamber between a fluid intake position and a

fluid delivery position; a block for each plunger, connecting the compression chamber to the intake and delivery valves housed in containers preferably having a cylindrical shape connected to the upper and lower parts of the block by removable connecting systems such as stud bolts; an internal manifold connecting the compression chamber to the intake and delivery valves, the homogeniser being characterised in that, close to the manifold, the plunger has a dynamic self-energising seal system acting on its cylindrical surface, and in that upstream and downstream of each valve, and downstream of the manifold where the manifold intersects with the compression chamber, and generally in the connections between the various component parts of the assembly, there are static seal systems consisting of an anti-extrusion ring in which a self-energising seal with the appropriate geometry and profile is inserted.

The delivery valve units, if more than one, there always being the same number as the plungers, are connected to one another by a delivery manifold which receives the flow of pressurised liquid from each compression chamber. Similarly, the equivalent intake valve units, if more than one, are connected to one another by an intake manifold, and there may be a support flange for each intake valve unit inserted between them.

BEST MODE FOR CARRYING OUT THE INVENTION.

This and other characteristics are more clearly

illustrated in the description which follows, with reference to the accompanying drawing, which illustrate a preferred embodiment without limiting the scope of application, and in which:

- 5 - Figure 1 is a side view and cross-section at mid length of the pump part of the homogeniser;
- Figure 2 is a side view and enlarged cross-section at mid length of the guide chamber for the single-acting reciprocating plunger;
- 10 - Figure 3 is a side view and enlarged cross-section at mid length of the manifold connecting the compression chamber and the valves;
- Figure 4 is a side view and enlarged cross-section at mid length of a non-return delivery valve.

15 With reference to the accompanying drawings, the numeral 1 denotes as a whole a homogeniser whose body 2 houses a cross-head guide piston 3, driven in a substantially known way, to the end of which a clamp 4 fixes a reciprocating plunger 5 in a compression chamber or cylinder 6.

20 The plunger 5 is preferably made of a ceramic material such as pure silicon nitride Si_3N_4 .

The compression chamber 6 is formed inside a first block 7 to which stud bolts 8 fix a housing flange 9 and a locking flange 10, the latter both preferably cylindrical and
25 between them forming a guide chamber 11 for the plunger 5 coaxial with the compression chamber 6 (Figure 2).

To prevent problems with the coaxial alignment between the

compression chamber 6 and the guide chamber 11 for the plunger 5, and at the same time to facilitate assembly in sequence on the block 7 first of the housing flange 9 then the locking flange 10, the block 7 and the housing flange 9 have, on their surfaces which face one another, a plurality of cylindrical connecting and centring pins 12, whilst the locking flange 10 has, on the surface facing the housing flange 9 a projection 13 having the shape of a truncated cylinder designed to fit into a recess in the surface of the housing flange 9.

Inside the locking flange 10 there is a seat 14, formed by a widening of the cross-section of the guide chamber 11 hole, for housing a guide bushing 15 for the plunger 5, made of self-lubricating plastic material, preferably PEEK, and having one end 15a in contact with the widening of the cross-section of the guide chamber 11 hole and the opposite end 15b clamped by an elastic stop ring 16. Said guide bushing 15 is preferably characterised by two or more longitudinal cuts designed to reduce the contact surface between the bushing 15 and the plunger 5 to limit friction and allow evacuation of the lubricating liquid used from a lubricating liquid feed pipe 17, present on the locking flange 10 and preferably angled so that it is perpendicular to a horizontal plane passing through the axis of the guide chamber 11 and parallel with the surface of the locking flange 10 in contact with the housing flange 9.

Said lubricating pipe 17, supplied with water or another type of liquid or emulsion, has one end 17a opening into the plunger 5 guide chamber 11 and the opposite end 17b terminating on the side wall of the locking flange 10.

5 Inside the housing flange 9, along the hole forming the guide chamber 11, there is a first widening of the cross-section 18 and a second widening of the cross-section 19, separated from one another by a shoulder 20.

10 The first widening of the cross-section 18 involves the insertion of a first dynamic seal unit 21 acting on the surface of the reciprocating plunger 5, having a first self-energising seal 22, preferably shaped so that it has a single sealing lip and preferably made of a combination of plastic materials such as high molecular weight PE and
15 PEEK, and fitted with an energising ring made of an elastomer.

The first self-energising seal and a bearing assembly 23 face one another and are respectively closed upstream of the first self-energising seal 22 by the shoulder 20 and
20 downstream of the bearing assembly 23 by the projection 13 on the locking flange 10. The projection 13 is used to centre the PEEK bushing 15 relative to the housing flange 9.

25 The bearing assembly 23 is made of special non-galling stainless steel, preferably Nitronic 60, and is coaxial with and alongside the first self-energising seal 22 and equipped with a system for extraction from its housing

such as a suitably sized thread.

The second widening of the cross-section 19 houses a second static seal unit 24 having a second self-energising seal 25 (with dimensions and geometry allowing containment
5 of the very high pressures and preferably made of polyurethane with Shore hardness 90-98), blocked upstream of it by the surface of the block 7 and downstream of it by the shoulder 20. The seal 25 does not make contact with the plunger 5 and is designed to contain the pressurised
10 fluid between the block 7 and the chamber 6; it may also be fitted with an external anti-extrusion ring 39.

The numeral 26 denotes a block consisting of two half-parts or plates 26a and 26b rigidly clamped to one another by fixing means, preferably stud bolts not illustrated in
15 Figure 1.

The insides of the two plates 26a and 26b have been machined to make grooves in them designed to house an internal manifold 27, preferably having a hemispherical shape, connecting the compression chamber 6 and a non-
20 return intake valve 28 and a non-return delivery valve 29 housed in containers 30 inserted between the central blocks 26 and respectively the delivery manifold 40 and the lower support flanges 41.

The block 26 may also consist of a single piece, directly
25 worked with a machine tool to create the channels 31 and 32 and the manifold hole 27 opposite the rear surface of the block 26.

The non-return intake valve 28 is connected to the internal manifold 27 by the channel 31 which forms an intake pipe and the non-return delivery valve 29 is connected to the internal manifold 27 by the channel 32 which forms a delivery pipe.

The intake pipe and delivery pipe are arranged in such a way that they are specular with one another relative to a horizontal plane passing through the axis of the pumping chamber 6 and set at an angle α to the normal to said horizontal plane which varies from 45 to 62 degrees, preferably 56 degrees.

Advantageously, the internal surfaces of the manifold 27 and of the intake and delivery pipes 31 and 32, exposed to the pressure of the fluid, are treated by polishing, radiusing of any edges on the intersections of concurrent holes, micro shot peening and electropolishing.

For each non-return valve 28, 29, hollows are made close to the upper and lower surfaces of the valve containers 30, respectively a first hollow 33 upstream of the non-return valve and a second hollow 34 downstream of it (Figure 4).

Said hollows 33, 34 are designed to accommodate a third static seal unit 35 having an anti-extrusion ring 36, preferably a circular ring with a rectangular cross-section, inside which a third self-energising seal 37 is fitted.

Said third static seal unit 35 is also inserted, by means

of a third hollow 38, close to the internal manifold 27, more precisely at the intersection between the manifold and the compression chamber 6 (Figure 3).

5 The third static seal unit 35 has one end closed by the block 7 and the opposite end contained in a widening of the cross-section of the internal manifold 27.

Each anti-extrusion ring 36 is shaped in such a way as to create an interference fit with the height of the respective hollow 33, 34, 38, preferably by 0.1 mm, so
10 that, during assembly, the ring forms a mechanical seal on the hollow and at the same time guarantees correct self-energising seal 37 preloading.

The numeral 40 denotes a delivery manifold connecting the two or more delivery valve 29 units, whilst 41 denotes a
15 support flange for the intake valve 28 unit for each plunger connected to the pump intake manifold.

Claims

- 1) A homogeniser (1) for continuous treatment of fluids at very high pressure, of the type comprising:
 - at least one single-acting plunger (5) with reciprocating motion from a guide chamber (11) to a compression chamber (6) from a fluid intake position to a fluid delivery position;
 - a block (26) for each plunger, connecting the compression chamber (6) with at least one intake valve (28) and with at least one delivery valve (29) for each plunger;
 - an internal manifold (27) connecting the compression chamber (6) with the intake valves (28) and delivery valves (29);
 - at least one intake pipe (31) and at least one delivery pipe (32) both communicating with the manifold (27) and respectively terminating in the intake valve (28) and in the delivery valve (29), characterised in that the intake valve (28) and the delivery valve (29) are housed in separated containers (30) fixed to the block (26) and the homogeniser (1) comprises at least one of the following units:
 - a first, dynamic seal unit (21) positioned around the guide chamber (11) and in contact with the surface of the reciprocating plunger (5), designed to create a seal on the plunger (5) during

compression;

- a second, static seal unit (24) located close to the intersection between the compression chamber (6) and the guide chamber (11), being designed to contain the pressure generated in the pump during compression between the opposite surfaces of a block (7) and a housing flange (9) for a dynamic seal (21);

- a third, static seal unit (35) located upstream and downstream of each valve (28, 29) and at the intersection between the manifold (27) and the compression chamber (6), respectively housed in hollows (33, 34, 38) designed to prevent fluid from escaping.

- 2) The homogeniser according to claim 1, characterised in that the first, dynamic seal unit (21) comprises:
 - at least one first self-energising seal (22) with an energising ring made of an elastomer;
 - at least one bearing assembly (23), coaxial with and alongside the first self-energising seal (22) and equipped with a system for extraction from its housing such as a suitably sized thread.
- 3) The homogeniser according to claim 2, wherein the first self-energising seal (22) has a single sealing lip and is made with a combination of plastic materials, high molecular weight PE and PEEK.
- 4) The homogeniser according to claim 2, wherein the

bearing assembly (23) is made of non-galling stainless steel.

- 5) The homogeniser according to claim 1, wherein the second seal unit (24) has a second self-energising static seal (25) with dimensions and geometry which allow the containment of very high pressures, and if necessary fitted with an external anti-extrusion ring (39).
- 6) The homogeniser according to claim 1, wherein the third seal unit comprises:
 - at least one anti-extrusion ring (36) with a rectangular cross-section and a circular ring cross-section in the direction orthogonal to the axis of symmetry;
 - at least a third self-energising seal (37) inside the respective anti-extrusion ring (36).
- 7) The homogeniser according to claim 6, wherein each anti-extrusion ring (36) is mounted in such a way as to create an interference fit with the height of the hollow (33, 34, 38) for a more effective mechanical seal.
- 8) The homogeniser according to claim 7, wherein the interference fit of each anti-extrusion ring (36) is equal to 0.1 mm on the height of the hollow (33, 34, 38) in which the ring is housed.
- 9) The homogeniser according to claim 1, wherein the internal surfaces of the manifold (27), the intake

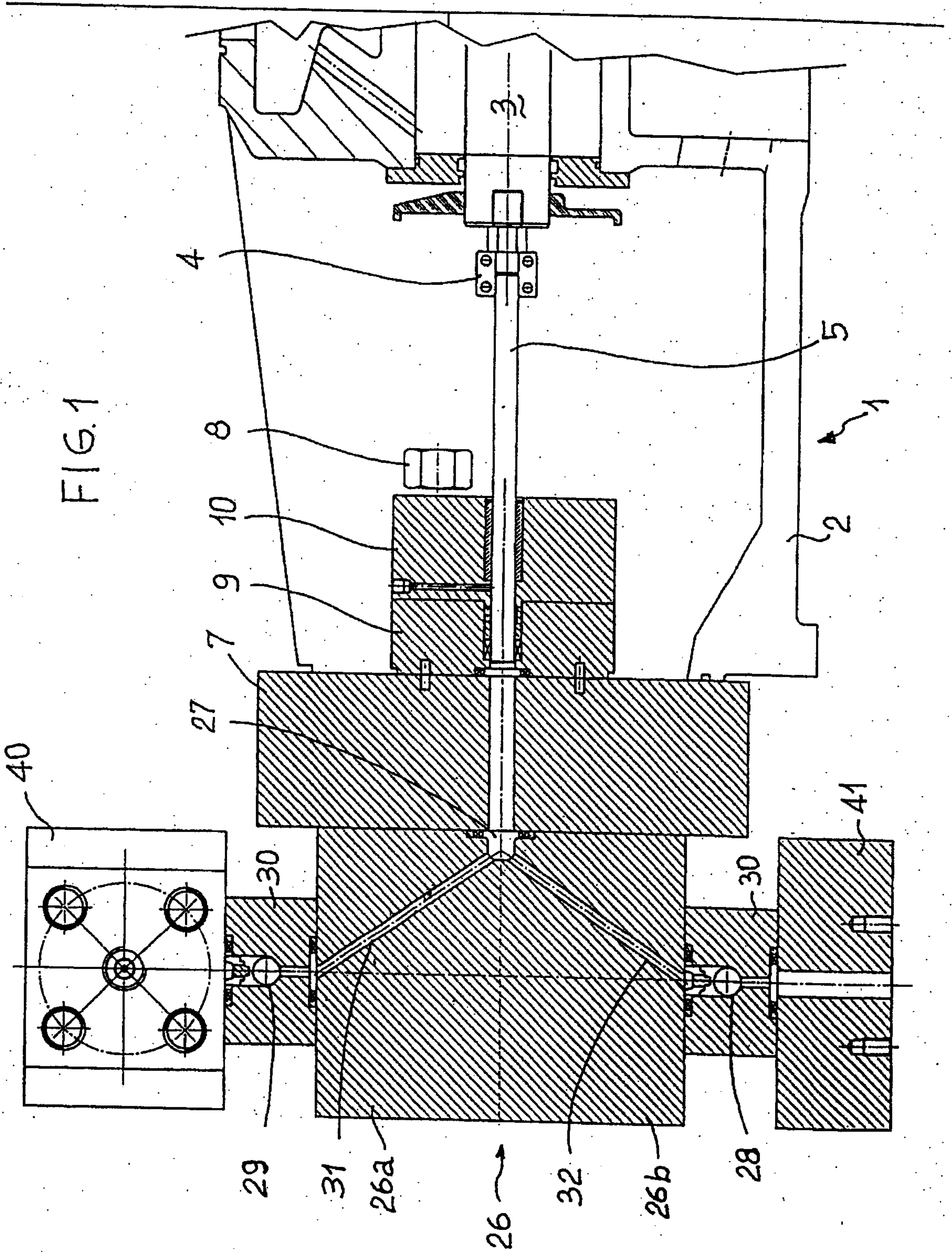
pipe (31) and the delivery pipe (32), exposed to the pressure of the fluid, are treated by manual polishing, radiusing of any edges at the intersections of concurrent holes, micro shot peening and electropolishing.

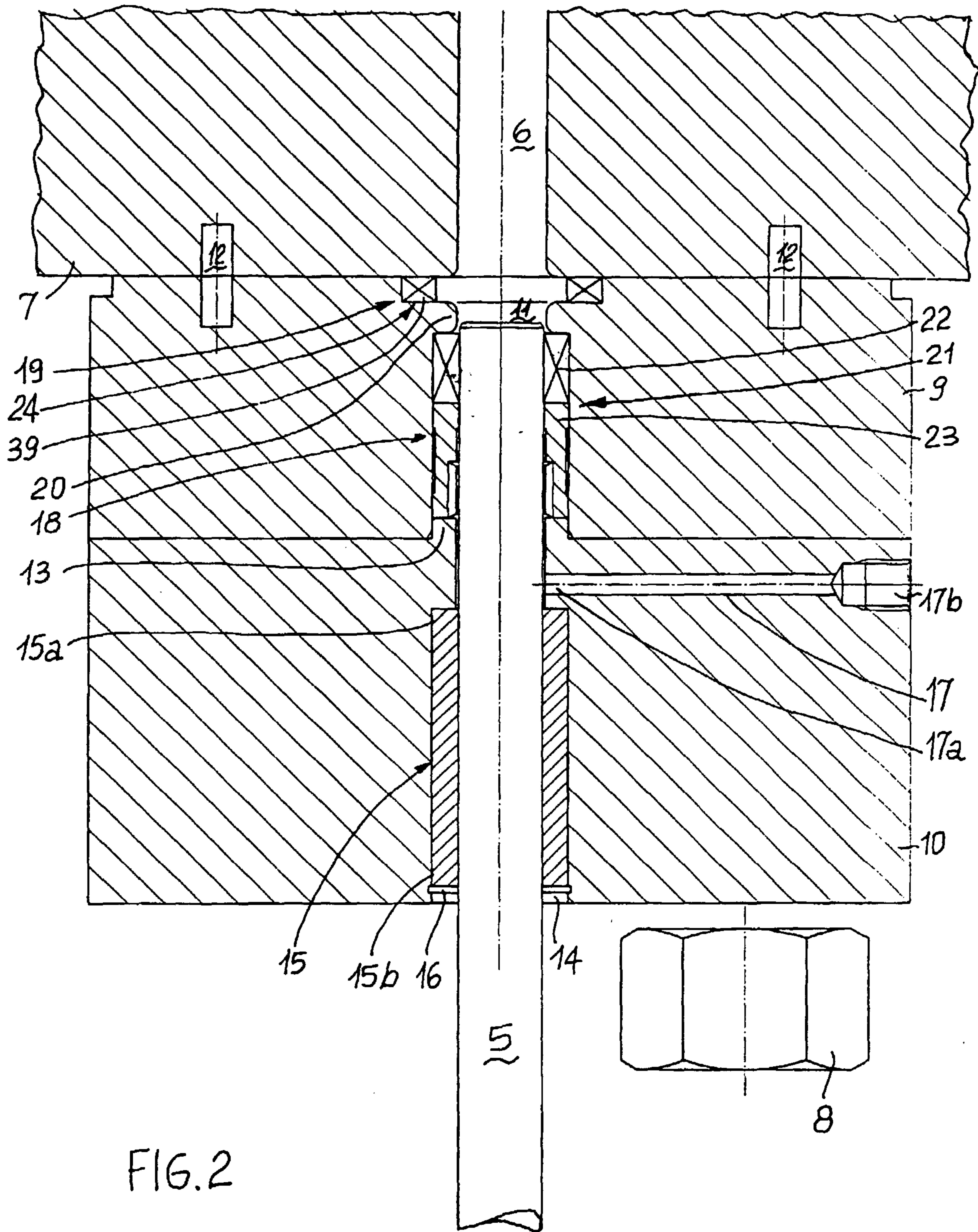
- 10) The homogeniser according to claim 1, wherein the plunger (5) is made of a ceramic material.
- 11) The homogeniser according to claim 1, wherein a plunger seal apparatus is present, housed in the guide chamber (11) and locked by a locking flange (10) outside the compression chamber contained in the block (7).
- 12) The homogeniser according to claim 1, wherein a lubricating - coolant fluid feed channel (17) is positioned on a locking flange (10) immediately axially close to a first, dynamic seal unit (21).
- 13) The homogeniser according to claim 1, wherein the plunger comprises a guide consisting of a bushing (15) housed in a locking flange (10) and centred relative to a housing flange (9) by a concentric centring projection (13).
- 14) The homogeniser according to claim 13, wherein the housing flange (9) is centred relative to the block (7) by cylindrical pins (12).
- 15) The homogeniser according to claim 1, wherein a delivery manifold (40) connects the delivery valve

units (29).

- 16) The homogeniser according to claim 1, wherein a support flange (41) for the intake valve (28) unit for each plunger is connected to the low pressure intake manifold of the pump.
- 17) The homogeniser according to claim 1, wherein each static seal unit (35) consisting of a self-energising seal (37) and an anti-extrusion ring (36) can be applied to all of the high pressure seal zones including the connection between the delivery manifold and a homogenising valve.
- 18) The homogeniser according to claim 1, characterised in that it is equipped with an adjustable homogenising valve installed at the outlet of a delivery manifold (40).

1/4





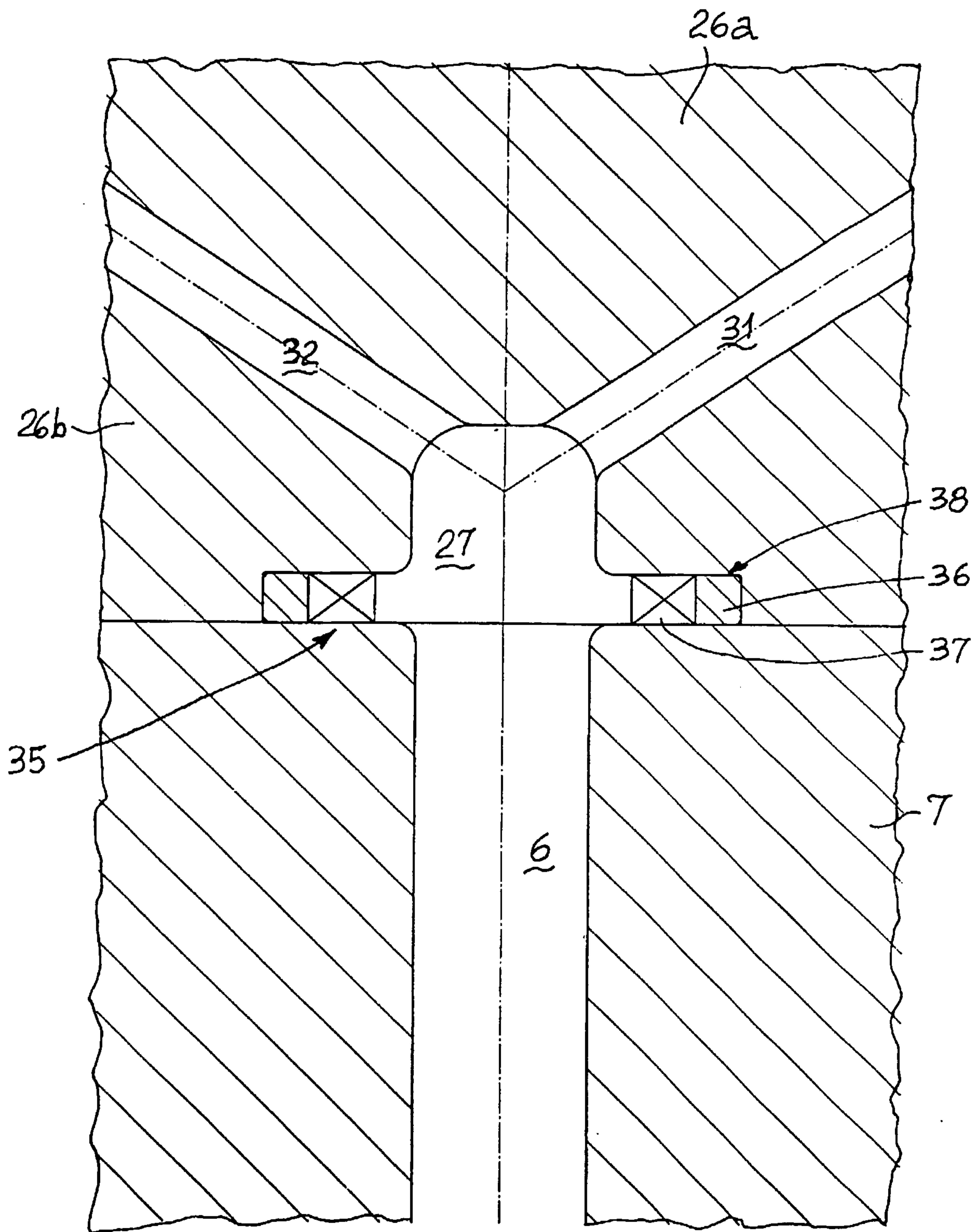


FIG.3

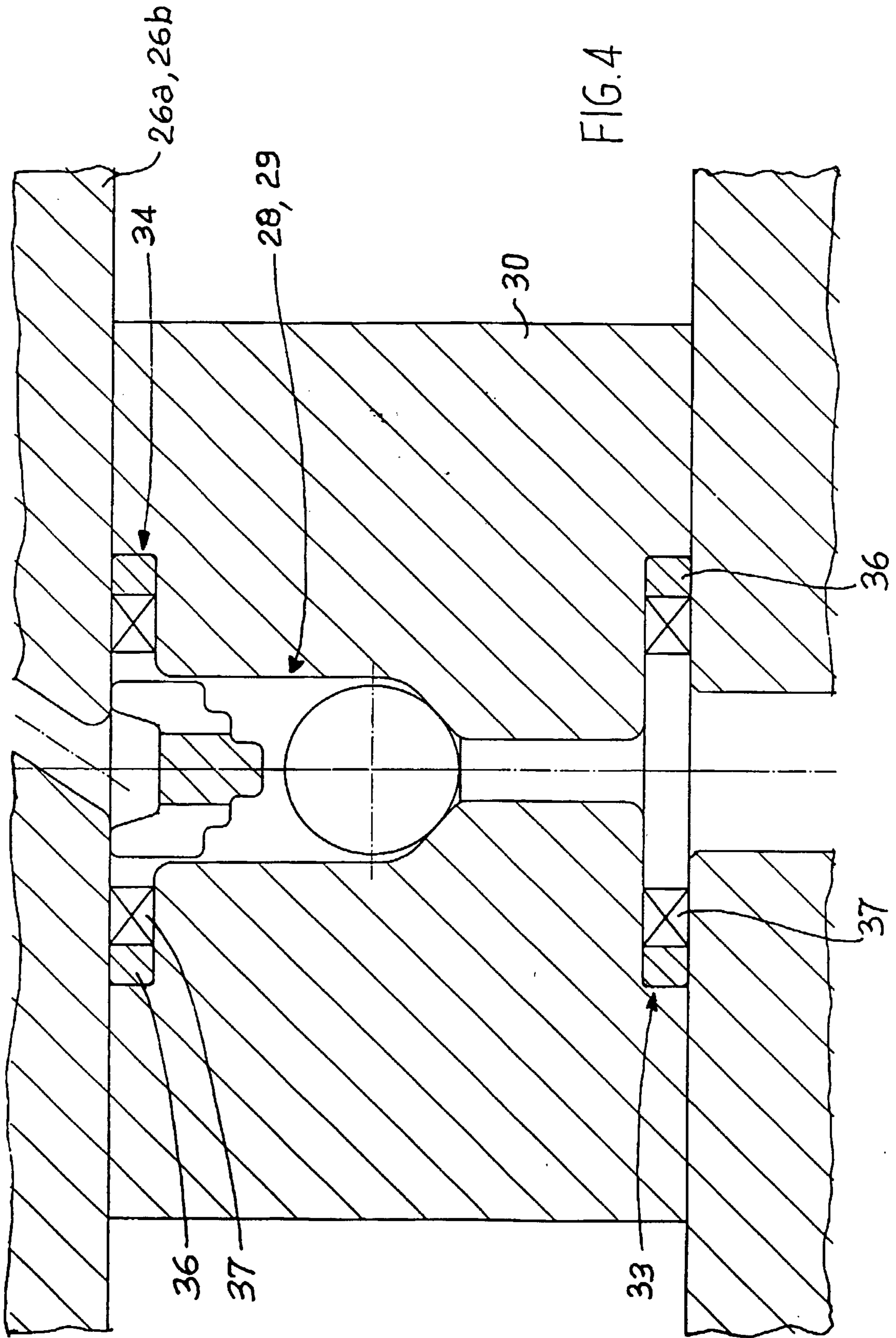


FIG. 4

