



- (51) International Patent Classification: *H04R 25/00* (2006.01)
 - (21) International Application Number: PCT/NL2012/050513
 - (22) International Filing Date: 17 July 2012 (17.07.2012)
 - (25) Filing Language: Dutch
 - (26) Publication Language: English
 - (30) Priority Data: 2007136 18 July 2011 (18.07.2011) NL
 - (71) Applicant (for all designated States except US): **EXSILENT RESEARCH B.V.** [NL/NL]; Overschiestraat 63, NL-1062 XD Amsterdam (NL).
 - (72) Inventors; and
 - (75) Inventors/Applicants (for US only): **VAN DOORN, Jan Marinus** [NL/NL]; Nassauplein 5, NL-1815 GM Alkmaar (NL). **DILLON, Randall Carey** [US/NL]; Bergkristal 59, NL-1703 EB Heerhugowaard (NL). **BREN, Mark Alan** [US/US]; 9209 Cedar Lake Rd. So., St Louis Park, Minnesota 55426 (US). **PETERSON, Timothy Scott** [US/US]; 7049 Antelope Drive, Lino Lakes, Minnesota 55014 (US).
 - (74) Agent: **JILDERDA, Anne Ayolt**; Nieuwegracht 15, P.O. Box 13363, NL-3507 LJ Utrecht (NL).
 - (81) Designated States (unless otherwise indicated, for every kind of national protection available): AE, AG, AL, AM, AO, AT, AU, AZ, BA, BB, BG, BH, BR, BW, BY, BZ, CA, CH, CL, CN, CO, CR, CU, CZ, DE, DK, DM, DO, DZ, EC, EE, EG, ES, FI, GB, GD, GE, GH, GM, GT, HN, HR, HU, ID, IL, IN, IS, JP, KE, KG, KM, KN, KP, KR, KZ, LA, LC, LK, LR, LS, LT, LU, LY, MA, MD, ME, MG, MK, MN, MW, MX, MY, MZ, NA, NG, NI, NO, NZ, OM, PE, PG, PH, PL, PT, QA, RO, RS, RU, RW, SC, SD, SE, SG, SK, SL, SM, ST, SV, SY, TH, TJ, TM, TN, TR, TT, TZ, UA, UG, US, UZ, VC, VN, ZA, ZM, ZW.
 - (84) Designated States (unless otherwise indicated, for every kind of regional protection available): ARIPO (BW, GH, GM, KE, LR, LS, MW, MZ, NA, RW, SD, SL, SZ, TZ, UG, ZM, ZW), Eurasian (AM, AZ, BY, KG, KZ, RU, TJ, TM), European (AL, AT, BE, BG, CH, CY, CZ, DE, DK, EE, ES, FI, FR, GB, GR, HR, HU, IE, IS, IT, LT, LU, LV, MC, MK, MT, NL, NO, PL, PT, RO, RS, SE, SI, SK, SM, TR), OAPI (BF, BJ, CF, CG, CI, CM, GA, GN, GQ, GW, ML, MR, NE, SN, TD, TG).
- Published:
— with international search report (Art. 21(3))

[Continued on next page]

(54) Title: LISTENING SUPPORT DEVICE, IN PARTICULAR A HEARING AID, AND A COMPRESSIBLE CASE FOR APPLICATION THEREWITH

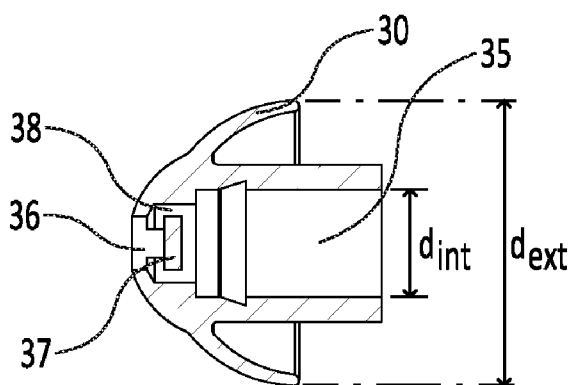


Fig. 3F

(57) Abstract: A listening support device, such as in particular a hearing aid, comprises a part (6) worn in the ear, wherein the part worn in the ear comprises an electro-acoustic converter (61) and optionally also comprises a microphone (62). The part worn in the ear comprises a device housing (6) which is inserted releasably in a compressible case (30) which at least partially encircles the device housing laterally. The compressible case (30) is provided with at least one continuous channel (31,32,33) which provides for an open communication between a proximal side directed toward an outlet of the auditory canal and an opposite, distal side thereof.





— *before the expiration of the time limit for amending the claims and to be republished in the event of receipt of amendments (Rule 48.2(h))*

(88) Date of publication of the international search report:
11 April 2013

INTERNATIONAL SEARCH REPORT

International application No

PCT/NL2012/050513

A. CLASSIFICATION OF SUBJECT MATTER

INV. H04R25/00
ADD.

According to International Patent Classification (IPC) or to both national classification and IPC

B. FIELDS SEARCHED

Minimum documentation searched (classification system followed by classification symbols)
H04R

Documentation searched other than minimum documentation to the extent that such documents are included in the fields searched

Electronic data base consulted during the international search (name of data base and, where practicable, search terms used)

EPO-Internal, WPI Data

C. DOCUMENTS CONSIDERED TO BE RELEVANT

Category*	Citation of document, with indication, where appropriate, of the relevant passages	Relevant to claim No.
X	US 6 129 174 A (BROWN JOSEPH [US] ET AL) 10 October 2000 (2000-10-10) column 4, line 34 - column 10, line 5 -----	1-6,19
Y	WO 2006/094502 A1 (WIDEX AS [DK]; OLSEN JOERGEN MEJNER [DK]; ESPERSEN CHRISTIAN BOHL [DK]) 14 September 2006 (2006-09-14) page 8, line 3 - page 12, line 32 -----	1-6,19
Y	US 2010/166241 A1 (SABIO GUILLERMO L [US]) 1 July 2010 (2010-07-01) paragraph [0001] - paragraph [0023] -----	1-6,19
A	EP 2 320 681 A1 (OTICON AS [DK]) 11 May 2011 (2011-05-11) paragraph [0001] - paragraph [0057] -----	1-6,19

Further documents are listed in the continuation of Box C.

See patent family annex.

* Special categories of cited documents :

"A" document defining the general state of the art which is not considered to be of particular relevance

"E" earlier application or patent but published on or after the international filing date

"L" document which may throw doubts on priority claim(s) or which is cited to establish the publication date of another citation or other special reason (as specified)

"O" document referring to an oral disclosure, use, exhibition or other means

"P" document published prior to the international filing date but later than the priority date claimed

"T" later document published after the international filing date or priority date and not in conflict with the application but cited to understand the principle or theory underlying the invention

"X" document of particular relevance; the claimed invention cannot be considered novel or cannot be considered to involve an inventive step when the document is taken alone

"Y" document of particular relevance; the claimed invention cannot be considered to involve an inventive step when the document is combined with one or more other such documents, such combination being obvious to a person skilled in the art

"&" document member of the same patent family

Date of the actual completion of the international search

19 October 2012

Date of mailing of the international search report

30/01/2013

Name and mailing address of the ISA/
European Patent Office, P.B. 5818 Patentlaan 2
NL - 2280 HV Rijswijk
Tel. (+31-70) 340-2040,
Fax: (+31-70) 340-3016

Authorized officer

Peirs, Karel

INTERNATIONAL SEARCH REPORT

International application No.
PCT/NL2012/050513

Box No. II Observations where certain claims were found unsearchable (Continuation of item 2 of first sheet)

This international search report has not been established in respect of certain claims under Article 17(2)(a) for the following reasons:

1. Claims Nos.:
because they relate to subject matter not required to be searched by this Authority, namely:

2. Claims Nos.:
because they relate to parts of the international application that do not comply with the prescribed requirements to such an extent that no meaningful international search can be carried out, specifically:

3. Claims Nos.:
because they are dependent claims and are not drafted in accordance with the second and third sentences of Rule 6.4(a).

Box No. III Observations where unity of invention is lacking (Continuation of item 3 of first sheet)

This International Searching Authority found multiple inventions in this international application, as follows:

see additional sheet

1. As all required additional search fees were timely paid by the applicant, this international search report covers all searchable claims.
2. As all searchable claims could be searched without effort justifying an additional fees, this Authority did not invite payment of additional fees.
3. As only some of the required additional search fees were timely paid by the applicant, this international search report covers only those claims for which fees were paid, specifically claims Nos.:

4. No required additional search fees were timely paid by the applicant. Consequently, this international search report is restricted to the invention first mentioned in the claims; it is covered by claims Nos.:

1-6, 19

Remark on Protest

- The additional search fees were accompanied by the applicant's protest and, where applicable, the payment of a protest fee.
- The additional search fees were accompanied by the applicant's protest but the applicable protest fee was not paid within the time limit specified in the invitation.
- No protest accompanied the payment of additional search fees.

FURTHER INFORMATION CONTINUED FROM PCT/ISA/ 210

This International Searching Authority found multiple (groups of) inventions in this international application, as follows:

1. claims: 1-6, 19

hearing aid with a completely in the canal part having a cerumen guard with an open space in a side direction to allow air to pass through.

Object: reduce the sensitivity of the completely in the canal part to blocking due to ear wax (see page 2, l. 19-27)

2. claims: 7-14

hearing aid with a completely in the canal part having a multi-wired connection cable to a hearing aid microphone, of which cable at least one wire is connected to the microphone and is shielded

Object: reduce sensitivity to electromagnetic interference (p. 5, l. 18-28)

3. claims: 15-18

hearing aid with a completely in the canal part in which the vibration direction of the receiver and of the microphone is different.

Object: reduce feedback between receiver and microphone (see p. 8, l. 18-24 and p. 9, l. 5-7)

INTERNATIONAL SEARCH REPORT

Information on patent family members

International application No

PCT/NL2012/050513

Patent document cited in search report	Publication date	Patent family member(s)	Publication date
US 6129174	A	10-10-2000	CA 2293052 A1 30-06-2000
			EP 1039779 A2 27-09-2000
			JP 2000209322 A 28-07-2000
			US 6129174 A 10-10-2000

WO 2006094502	A1	14-09-2006	AT 555616 T 15-05-2012
			AU 2005328945 A1 14-09-2006
			CA 2598819 A1 14-09-2006
			CN 101138273 A 05-03-2008
			DK 1856947 T3 18-06-2012
			EP 1856947 A1 21-11-2007
			JP 4709274 B2 22-06-2011
			JP 2008532445 A 14-08-2008
			US 2008013767 A1 17-01-2008
			WO 2006094502 A1 14-09-2006

US 2010166241	A1	01-07-2010	NONE

EP 2320681	A1	11-05-2011	CN 102045633 A 04-05-2011
			EP 2320681 A1 11-05-2011
			EP 2538701 A2 26-12-2012
			US 2011096948 A1 28-04-2011
